

INDUSTRIAL FANS GENERAL CATALOGUE





Fans designed to meet any kind of industrial application requirement.

They are mostly installed in civil and industrial conditioning systems, drying plants, paint booths, boilers, furnaces, industrial burners, gas treatment, material transportation, cement plants, explosive atmospheres ATEX, Oil&Gas and others.

CONTROL

The integrated control of the entire manufacturing process allows us to offer the highest quality in products of this type.

The impellers are statically and dynamically balanced by using electronic equipment in accordance with the ISO 1940 grade G=6.3 standards. The performance parameters of the fans have been measured with exhaust pipes in accordance with the UNI 7179-73 and AMCA 21085 standards. The operating features of our fans are tolerance class 2 in accordance with the DIN 24 166 standards and class AN3 in accordance with the ISO/CD 13348.2 standards.





For many years the company invested in the development of processes and applications aimed at manufacturing and supplying special industrial fans with extremely tight deadlines in terms of their design and production.

The teamwork of our engineering department, in conjunction with universities and technological centres, and the close cooperation between the design departments of our external partners has made it possible to obtain new industrial ventilation solutions in a very short space of time.

During our existence, we have developed all types of fan technologies for industrial applications that are currently distributed in all parts of the planet and our objective is to carry on investing in this sector in order to continue to be one of the world's most important industrial fan manufacturers.

ROBUSTNESS

Their robust construction is one of their main features.

Bearings are sized to provide a minimum useful life of 40,000 hours; belt and pulley dimensions suitable for continuous operation, closed belt drive protection, support benches, sheet thickness and the position of the supports and reinforcements have been specially studied to guarantee the absence of vibrations.

OPERATING TEMPERATURES

Direct drive fans with impeller directly coupled to the motor shaft, without cooling impeller, capable of blowing air at temperatures up to +120 °C. Special constructions up to +250 °C. Drive fans with cooling impeller capable of blowing air at temperatures up to +300 °C and up to +450 °C with special construction on request.

ON REQUEST

We can offer special fans for steel plants, cement plants, special applications, special materials, high temperature, wear resistant, etc.

Manual, pneumatic or electric flow regulation valves in impulsion/inlet. Mounting arrangements 7 and 8 based on AMCA Standard 99-2404-03 are also available.



APPLICATIONS



Industrial

Industrial boilers, drying barns, furnaces, industrial burners, gas treatment plants, transport of material, cement plants, explosive atmospheres ATEX and Oil&Gas are just some of the applications for fans of this type.

Naval / Off-shore

Our extract fans are known by most shipbuilders and civil defence companies from all over the world for their quality and excellent performance.



The extract fans available on request are able to comply with the different requirements of classification and certification organisations. Possibility of offering Design Approval Certificate from different naval entities on request.

The marine motors used are certified by most international naval classification entities.

Explosive atmospheres ATEX



ERC

All our extract fans and fans for explosive atmospheres meet the requirements of European directive 2014/34/EU.

These components have also been designed in accordance with standard EN-14986 "Designing of fans for working in potentially explosive atmospheres".

This guarantees product quality and ensures the maximum safety of people and facilities.

Mining / Public works

Our wide product range enables us to offer tunnel ventilation solutions during and after their construction.

Extremely robust high-pressure tubular axial extract fans specially designed for mining and naval installations or applications with large load losses. Forked tubular fans for the continuous blowing of air at temperatures of up to 150 °C.

These are some of our variants that are perfectly adapted for working in sites where atmospheric conditions, earth moving or difficult gas extraction operations are essential in ensuring safety in the workplace for professionals.

Standards compliance for railway and rolling equipment



Related standards:

GOST 30630.0.0-99

Environment stability test methods for machines, instruments and other industrial products.

GOST 28231-89

(IEC 68-2-47-82) Basic methods of testing for exposure to external factors. Part 2. Testing. Fastening of elements, tools and other products in the course of dynamic testing. Including shock (Ea), multiple shock (Eb), vibration (Fc and Fd), linear acceleration (Ga) and Guidance.

GOST 30630.1.1-99

Methods of testing for resistance of machinery, instruments and other technical products to externally acting mechanical factors. Determining dynamic characteristics of a structure.

GOST 30630.1.2-99

Methods of testing for resistance of machinery, instruments and other technical products to externally acting mechanical factors. Vibration testing. Testing for stability under exposure to sinusoidal or accidental wide-band

vibration. Long-run testing for durability under exposure to sinusoidal or accidental wide-band vibration (long-run chatter testing). Testing for durability under exposure to multiple mechanical shocks (shock strength testing).

GOST 30631-99

General requirements to machinery, instruments and other technical products with regard to resistance to externally acting mechanical factors during operation.

GOST 17516.1

1990-MAY-23

Electrotechnical articles general requirements for stability to effect of environmental mechanical factors – Incorporates Amendment 1: 11/21/1997

UNE-EN 61373

Aplicaciones Ferroviarias, Material rodante, Ensayos de choque y vibración.

Railway applications. Rolling equipment. Shock and vibration tests

Vibrations

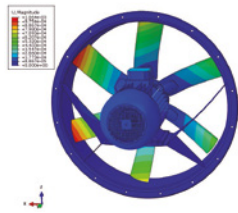
The table presented below shows the vibration requirements for mounted equipment in A-Class vehicle. Sodeca fans complies with GOST vibration requirements, which are the most restrictive.

EN STANDARD					
Standard number	Vibration type	Vibration RMS X Axis [m/s ²]	Vibration RMS Y Axis [m/s ²]	Vibration RMS Z Axis [m/s ²]	Vibration frequency [Hz]
EN 61373-2011	Increased random vibrations	2,83	2,09	4,25	-
	Standard random vibrations	0,50	0,37	0,75	-

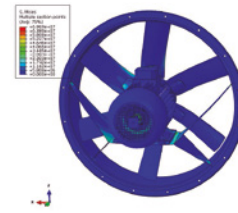
GOST STANDARD					
Standard number	Vibration type	Vibration amplitude X Axis [m/s ²]	Vibration amplitude Y Axis [m/s ²]	Vibration amplitude Z Axis [m/s ²]	Vibration frequency [Hz]
GOST 17516.1-1990 + GOST 16692.2 & GOST 30631-1999 + GOST 30630.0.0	Long term sinusoidal vibrations	15	15	15	10-100
	Short term sinusoidal vibrations	10	10	10	10-100

The next two figures show displacement and stress maps for a Sodeca fan under the vibration required by GOST standard in the Y axis. The test method consists in 687 repetitions 7 minutes long. The vibration is simulated with a sinusoidal acceleration of 15 m/s² amplitude and frequency 100 Hz. At the end of the test the fan has to endure 28.8 million cycles.

Fan's displacement map after the test. The displacement that is shown in the image has been increased to make it visible. The maximum displacement is 1.06 mm.

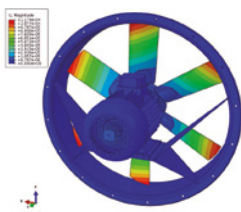


Fan's stress map after the test. The maximum stress is 69.7 MPa for steel parts and 65 MPa for aluminium parts. It is the maximum for all axes.

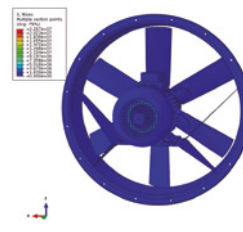


The next two figures shows displacement and stress maps for a Sodeca fan under the impact requirement of UNE-EN-61373 standard. The fan receives an impact with 30 m/s² acceleration and 30 ms duration in the Y axis.

Fan's displacement map after impact. The displacement that is shown in the image has been increased to make it visible. The maximum displacement is 0.12 mm.



Fan's stress map after the impact. The maximum stress is 23.5 MPa for all axes; it is situated in the steel frame.



The cast aluminium's fatigue limit for 28.8 million cycles is about 80 MPa. All Aluminium parts have a stress below 65 MPa, so all this parts meet the requirements. The steel's fatigue limit is much higher than aluminium, so all steel parts meets too the requirements. The test result confirms that the fan can resist the impact required by the standard, because 23.5 MPa is a stress value too low for steels.

Impacts



SMALL SERIES

16

MEDIUM PRESSURE

HIGH PRESSURE

TRANSPORT



CMP

18

Single inlet medium pressure centrifugal fans with sheet steel casing and impeller



CMPE

26

Single inlet medium pressure centrifugal fans with external rotor motor



CA

47

Single inlet, high pressure centrifugal fans with cast aluminum casing and impeller



CMTS

64

Medium pressure single inlet centrifugal fans with casing and straight blade impeller, made of sheet steel, for transporting smoke with solid material



CRL

28

Centrifugal medium pressure single inlet fans with backward curved impeller



CMR

31

Very robust single inlet, medium pressure centrifugal fans, equipped with a backward curved impeller



CAS

51

Single inlet, high pressure centrifugal fans with sheet steel casing and impeller



CMT

66

Medium pressure single inlet centrifugal fans with casing and straight blade impeller, made of sheet steel for conveying powder and solid material



CBP

36

Centrifugal fans of medium pressure and single inlet, equipped with backward curved impeller with self-cleaning effect, specially designed for painting booths



CBPC

36

Centrifugal fans of medium pressure and single inlet, equipped with backward curved impeller with self-cleaning effect, specially designed for painting booths, with vertical outlet



CAS-S

51

Single inlet, high pressure centrifugal fans with sheet steel casing and impeller, equipped with acoustic attenuator



CMAT

69

Single-inlet, medium-pressure centrifugal fans with casing and straight blade impeller made of cast aluminum, for conveying powder and solid material



CMA

38

Single inlet medium pressure centrifugal fans with cast aluminum casing and impeller



CPV

42

Single inlet anti-corrosive centrifugal fans made of polypropylene



CAM

60

Single inlet, high pressure centrifugal fans with sheet steel casing and cast aluminum impeller



PORT


72

Extremely robust, high power portable air extractors



LARGE SERIES

74

MEDIUM PRESSURE	HIGH PRESSURE	TRANSPORT
 <p>CMRS 76 Very robust single inlet, medium pressure centrifugal fans, equipped with a backward curved impeller Designed for clean or slightly dusty air</p>	 <p>CASB 190 Extremely robust, high pressure, single inlet centrifugal fans with sheet steel casing and impeller Designed for dusty air</p>	 <p>CAST 266 Extremely robust open blade and single inlet centrifugal fans with sheet steel casing and impeller Designed for air that is very dusty and with materials suspended in the air</p>
 <p>CAMA 110 Extremely robust medium pressure and single inlet centrifugal fans with sheet steel casing and impeller Designed for dusty air</p>	 <p>CAAB 222 Extremely robust high pressure single inlet centrifugal fans with sheet steel casing and impeller Designed for clean or dusty air</p>	 <p>CMTB 282 Extremely robust open blade and single inlet centrifugal fans with sheet steel casing and impeller Designed for air that is very dusty and with materials suspended in the air</p>
 <p>CAMC 144 Extremely robust medium pressure and single inlet centrifugal fans with sheet steel casing and impeller Designed for dusty air</p>	 <p>CAAE 240 Extremely robust high pressure single inlet centrifugal fans with sheet steel casing and impeller Designed for clean or dusty air</p>	 <p>CMTC 294 Extremely robust open blade and single inlet centrifugal fans with sheet steel casing and impeller Designed for air that is very dusty and with materials suspended in the air</p>
 <p>CAMD 160 Extremely robust medium pressure and single inlet centrifugal fans with sheet steel casing and impeller Designed for dusty air</p>	 <p>CAAF 252 Extremely robust high pressure single inlet centrifugal fans with sheet steel casing and impeller Designed for clean or dusty air</p>	



Fans for ovens

308

FANS FOR BREAD AND PASTRY OVENS



310

SDECB/M

Centrifugal fans especially designed for extracting hot air at a max. temperature of 80 °C and water vapour from extract hoods with a vertical air outlet
Especially designed for bread and pastry ovens as well as industrial ovens



312

SDECB/O

Centrifugal fans built in INOX, specially designed for the extraction of hot air max. 80 °C and water vapors in extraction hoods, with horizontal air outlet
Especially designed for bakery and pastry ovens and surface treatment ovens



313

SDBP/F

Centrifugal fans built in INOX, specially designed for the extraction of hot air max. 80 °C and water vapors in extraction hoods, with horizontal air outlet
Especially designed for bakery and pastry ovens and surface treatment ovens



314

SDBP/M INOX

Centrifugal fans built in INOX, specially designed for the extraction of hot air max. 80 °C and water vapors in extraction hoods, with vertical air outlet
Especially designed for bakery and pastry ovens and surface treatment ovens



315

SDECB/MGC

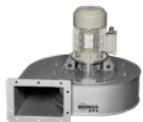
Centrifugal fans especially designed for recirculating hot air in ovens at a max. temperature of 300°C
Especially designed for bread and pastry ovens as well as industrial ovens



316

SDECB/Z

Centrifugal fans especially designed for extracting hot air at a max. temperature of 300 °C from extract hoods with a vertical air outlet
Especially designed for bread and pastry ovens as well as industrial ovens



318

SDLM/F

Centrifugal fans especially designed for extracting hot air from ovens at a max. temperature of 300°C and a horizontal air outlet
Especially designed for bread and pastry ovens as well as industrial ovens

FANS FOR INDUSTRIAL OVENS



320

CMRH

Belt driven fans, equipped with electric motor, set of pulleys, belts and protectors standardized according to ISO-13857 standard and 150 mm mineral fiber insulated box, for horizontal work



325

CMSH

Medium pressure centrifugal fans, equipped with a backward curved impeller and a heat insulated box with mineral fiber



329

CMPH

Centrifugal medium pressure fans, equipped with a forward curved impeller and a heat insulated box with mineral fiber



332

HPX

Tubular axial fans with external motors



335

HBA

Forked tubular axial fans with motors outside the airflow

Fans and their applications



Classification	Application		
MEDIUM PRESSURE For dusty air	<ul style="list-style-type: none"> · Paint booths · Dryers · Boilers · Preservation of cereals in years · Cooling of engines · Ventilation of warehouses · Ventilation in composting applications · Boiler systems 	<ul style="list-style-type: none"> · Drum filters · Air inlet installations · Chemical industry · Pneumatic transport · Ceramic firing ovens Mills · Tempering of glass · Glass manufacturer · Bread ovens · Ventilation in dairy 	<ul style="list-style-type: none"> processing · Extract fans for industrial kitchens · Air extraction in dumps · Pharmaceutical companies · Preservation of cereals in silos · Ventilation of mines · Dust collectors · Incinerators
HIGH PRESSURE For dusty air	<ul style="list-style-type: none"> · Installations for foundries · Cement installations · Marble industry · Ceramic firing ovens 	<ul style="list-style-type: none"> · Ovens · Tobacco · Biomass · Vacuum systems 	<ul style="list-style-type: none"> · Pneumatic transport · Recirculation of combustion gases
TRANSPORT For very dusty air with chunks and granules	<ul style="list-style-type: none"> · Textile machinery 	<ul style="list-style-type: none"> · Wood shops 	<ul style="list-style-type: none"> · Paper factories
BREAD AND PASTRY OVENS	<ul style="list-style-type: none"> · Bread ovens · Pastry ovens 	<ul style="list-style-type: none"> · Ovens in general · Machinery with 	<ul style="list-style-type: none"> temperature · Surface treatment
INDUSTRIAL OVENS	<ul style="list-style-type: none"> · Industrial ovens · Oven dryers 	<ul style="list-style-type: none"> · Ventilation and extraction in laboratories 	<ul style="list-style-type: none"> · Paint booths · Surface treatment

General information



Constructive variants SMALL SERIES and OVENS

CENTRIFUGAL FANS FOR INDUSTRIAL APPLICATIONS

STANDARD VERSION

-25 °C / +120 °C

HIGH TEMPERATURE VERSION

-25 °C / +250 °C

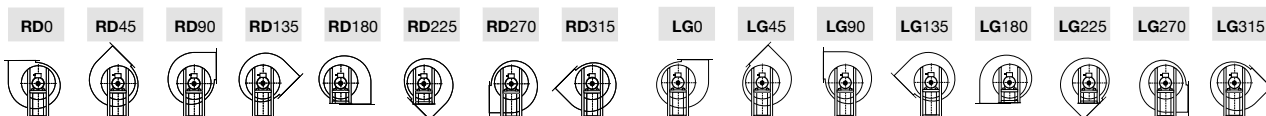
- . With cooling impeller coupled to the motor shaft and the motor separated from the fan casing, in the case of a direct motor.
- . With cooling impeller coupled to the support shaft, between the bearing and the fan casing, in the case of transmission models.
- . In some series, heat resistant paint will be applied to the impeller or fan depending on the application.

Fans for OVEN

- . Fans built for bread and pastry ovens are ready to operate with high temperatures up to +300 °C
- . Fans built for industrial ovens are suitable for operating temperatures between +90 °C and +300 °C, depending on the construction and models.

Orientation of SMALL SERIES and OVENS

The orientation of a fan as viewed from the opposite side of the inlet nozzle is designated with acronym LG if the direction of the air flow is counter-clockwise and RD if it is clockwise. The angle of rotation is expressed in degrees and it is measured from the outlet nozzle axis and the perpendicular to the support base.



Constructive variants LARGE SERIES



Atex Version

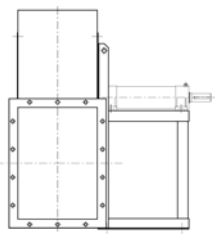
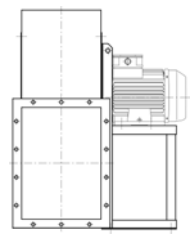
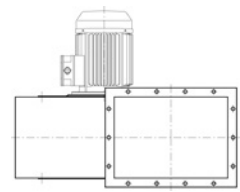
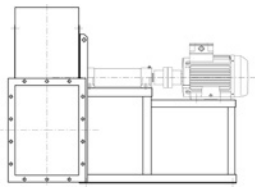
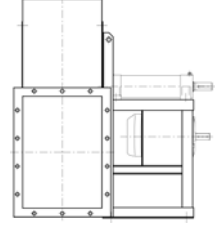
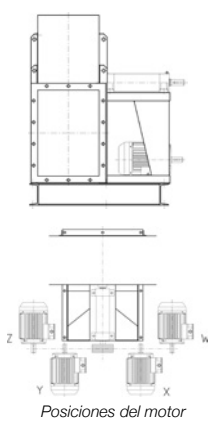
The ATEX version must be adopted if the fan is transporting explosive mixtures. The client must always indicate the area where the fan is used, the gas (indicating the type) or dust.

High temperature version

CENTRIFUGAL FANS FOR INDUSTRIAL APPLICATIONS LARGE SERIES

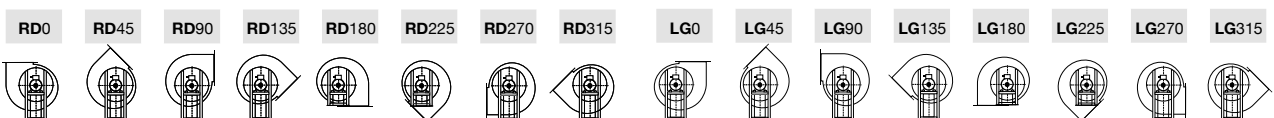
STANDARD VERSION -25 °C / +90 °C	HIGH TEMPERATURE VERSION -25 °C / +150 °C	HIGH TEMPERATURE VERSION -25 °C / +300 °C
System: 1, 4, 5, 8, 9, 12	System 4, 5	System 1, 8, 9, 12
	<ul style="list-style-type: none"> . With cooling impeller coupled to the motor shaft and the motor separated from the fan casing. . Temperature resistant aluminium paint . Special constructions on demand for temperatures of +450 °C 	<ul style="list-style-type: none"> . With cooling impeller coupled to the support shaft, between the bearing and the fan casing. . Bearing near the impeller with tolerance class C-3 . Temperature resistant aluminium paint

Constructive forms LARGE SERIES

<p>SYSTEM 1</p>  <p>SYSTEM 1 Transmission drive, impeller mounted on the support shaft. Support mounted on the pedestal.</p>	<p>SYSTEM 4</p>  <p>SYSTEM 4 Direct drive, impeller mounted on the motor shaft, mounted on the pedestal.</p>	<p>SYSTEM 5</p>  <p>SYSTEM 5 Direct drive, impeller mounted on the motor shaft, flange motor mounted on the fan casing.</p>
<p>SYSTEM 8</p>  <p>SYSTEM 8 Elastic coupling drive, impeller mounted on the support shaft, mounted on the motor via an elastic coupling. Everything mounted together on a fan pedestal. For dimensions, please consult with our technical department.</p>	<p>SYSTEM 9</p>  <p>SYSTEM 9 Transmission drive, identical to SYSTEM 1, with the motor mounted on the side of the rebar, in position "W" or "Z".</p>	<p>SYSTEM 12</p>  <p>SYSTEM 12 Transmission drive, identical to SYSTEM 1, motor positions with the motor and fan mounted on the common bench. Motor positions "W" or "Z" and exceptionally "X" or "Y".</p>

Orientation of LARGE SERIES

The orientation of a fan as viewed from the opposite side of the inlet nozzle is designated with acronym LG if the direction of the air flow is counter-clockwise and RD if it is clockwise. The angle of rotation is expressed in degrees and it is measured from the outlet nozzle axis and the perpendicular to the support base.



COMPLIANCE WITH STANDARDS

SOECA fans and extract fans comply with the following standards:

COMPLIANCE

ISO 9001:2015	Sistemas de gestión de la calidad. Requisitos. Quality management systems -- Requirements.
----------------------	---

TESTING

UNE-EN ISO 5801	Ventiladores. Ensayos de comportamiento en circuitos normalizados. Fans -- Performance testing using standardized airways.
AMCA 210-16	Ventiladores industriales. Métodos de ensayos de ventiladores y su representación de ensayos. Laboratory Methods of Testing Fans for Aerodynamic Performance Rating.
UNE-EN ISO 13350	Ventiladores. Ensayos de comportamiento de ventiladores de chorro. Fans -- Performance testing of jet fans.
ISO 13348	Industrial fans -- Tolerances, methods of conversion and technical data presentation.

HIGH TEMPERATURE FANS

UNE EN 12101-3	Sistemas de control de humos y calor. Parte 3: Especificaciones para aireadores extractores de humos y calor mecánicos. Smoke and heat control systems - Part 3: Specification for powered smoke and heat exhaust ventilators.
-----------------------	---

ACOUSTICS

UNE EN ISO 3744	Acústica - Determinación de los niveles de potencia acústica y de los niveles de energía acústica de fuentes de ruido utilizando presión acústica. Métodos de ingeniería para un campo esencialmente libre sobre un plano reflectante. Acoustics - Determination of sound power levels and sound energy levels of noise sources using sound pressure - Engineering methods for an essentially free field over a reflecting plane
------------------------	---

BALANCING AND VIBRATIONS

ISO 21940-11	Vibraciones mecánicas. Calidad de equilibrado. Mechanical vibration – rotor balancing - Part 11: Procedures and tolerances for rotors with rigid behaviour
ISO 20816-1	Vibraciones mecánicas. Evaluación de las vibraciones de máquinas. Mechanical vibration – measurement and evaluation of machine vibration – Part 1: General guidelines
ISO 14694	Ventiladores industriales. Especificaciones para equilibrado y niveles de vibración. Industrial fans -- Specifications for balance quality and vibration levels.

SAFETY (EC Declaration of Conformity)

UNE EN ISO 12100	Seguridad de las máquinas. Principios generales para el diseño. Evaluación del riesgo y reducción del riesgo. Safety of machinery - General principles for design - Risk assessment and risk reduction
UNE EN 60204-1	Seguridad de las máquinas. Equipo eléctrico de las máquinas. Parte 1: Requisitos generales. Safety of machinery - Electrical equipment of machines - Part 1: General requirements.
UNE EN ISO 13857	Seguridad de máquinas. Distancias de seguridad para impedir que se alcancen zonas peligrosas con los miembros superiores e inferiores. Safety of machinery -- Safety distances to prevent danger zones being reached by upper and lower limbs.
UNE-EN ISO 12499	Ventiladores industriales. Seguridad mecánica de los ventiladores. Protección. Industrial fans -- Mechanical safety of fans -- Guarding.

DIRECTIVES AND REGULATIONS

Directiva 2006/42/CE	Directiva de máquinas. Machinery Directive.
Directiva 2014/35/UE	Directiva de baja tensión. Low Voltage Directive.
Directiva 2014/30/UE	Directiva compatibilidad electromagnética. EMC Directive

Reglamento 305/2011	Condiciones armonizadas para la comercialización de productos de construcción Harmonised conditions for the marketing of construction products
Directiva 2009/125/CE	Directiva de requisitos de diseño ecológico para productos que utilizan energía. Ecodesign Requirements for Energy-related Products Directive.

ATEX EXECUTIONS

Directiva ATEX 2014/34/UE	Aparatos y sistemas de protección para uso en atmósferas potencialmente explosivas. Equipment and protective systems intended for use in potentially explosive atmospheres.
UNE EN 14986	Diseño de ventiladores para trabajar en atmósferas potencialmente explosivas. Design of fans working in potentially explosive atmospheres.
UNE EN 1127-1	Atmósferas explosivas. Prevención y protección contra la explosión. Parte 1: Conceptos básicos y metodología. Explosive atmospheres - Explosion prevention and protection - Part 1: Basic concepts and methodology.

VENTILATION SOLUTIONS



PRESSURISATION SYSTEMS FOR STAIRCASES



HATCH VENTILATION SYSTEMS



SMOKE EXTRACTION FOR PARKINGS



PROFESSIONAL KITCHENS



VENTILATION SYSTEMS FOR HOMES



CMV MULTI-ROOM APARTMENTS



AIR CURTAINS



ROOF-MOUNTED EXTRACT FANS



ATEX EXTRACT FANS



INDUSTRIAL APPLICATIONS



AXIAL SOLUTIONS

Centrifugal fans for industrial applications **SMALL SERIES**

MEDIUM PRESSURE



18

CMP
Single inlet medium pressure centrifugal fans with sheet steel casing and impeller



26

CMPE
Single inlet medium pressure centrifugal fans with external rotor motor



28

CRL
Centrifugal medium pressure single inlet fans with backward curved impeller



31

CMR
Very robust single inlet, medium pressure centrifugal fans, equipped with a backward curved impeller



36

CBP
Centrifugal fans of medium pressure and single inlet, equipped with backward curved impeller with self-cleaning effect, specially designed for painting booths



36

CBPC
Centrifugal fans of medium pressure and single inlet, equipped with backward curved impeller with self-cleaning effect, specially designed for painting booths, with vertical outlet



38

CMA
Single inlet medium pressure centrifugal fans with cast aluminum casing and impeller



42

CPV
Single inlet anti-corrosive centrifugal fans made of polypropylene



HIGH PRESSURE

TRANSPORT



47

CA
Single inlet, high pressure centrifugal fans with cast aluminum casing and impeller



51

CAS
Single inlet, high pressure centrifugal fans with sheet steel casing and impeller



64

CMTS
Medium pressure single inlet centrifugal fans with casing and straight blade impeller, made of sheet steel, for transporting smoke with solid material



66

CMT
Medium pressure single inlet centrifugal fans with casing and straight blade impeller, made of sheet steel for conveying powder and solid material



51

CAS-S
Single inlet, high pressure centrifugal fans with sheet steel casing and impeller, equipped with acoustic attenuator



60

CAM
Single inlet, high pressure centrifugal fans with sheet steel casing and cast aluminum impeller



69

CMAT
Single-inlet, medium-pressure centrifugal fans with casing and straight blade impeller made of cast aluminum, for conveying powder and solid material



72

PORT
Extremely robust, high power portable air extractors

CMP



Single inlet medium pressure centrifugal fans with sheet steel casing and impeller



Fan:

- Sheet steel casing.
- Forward curved impeller in galvanized sheet steel.
- Model CMP 38-2M cast aluminum casing.
- Maximum temperature of air to be carried: -20 °C +120 °C, maximum +100 °C model CMP-38.

Finishing:

- Anti-corrosive finish in polyester resin, polymerised at 190 °C, after degreasing with phosphate-free nanotechnology treatment.

On request:

- Special windings for different voltages.
- Fan prepared to transport air up to +250 °C.
- Stainless steel fan.
- Category 2 ATEX certification (see CMP/ATEX series).

Motor:

- Motors with IE3 efficiency for powers equal to or greater than 0.75kW, except single-phase, 2-speed and 8-pole.
- Class F motors with ball bearings and IP55 protection except single-phase models with IP54 protection. CMP-38 model with IP21 protection.
- Single-phase 230V 50 Hz and three-phase 230/400V 50 Hz (up to 4 kW) and 400/690V 50 Hz (powers greater than 4 kW).



Dynamically balanced rotors with extremely robust cores

Order code

CMP — 1128 — 2T — 5,5

CMP: Single inlet medium pressure centrifugal fans with sheet steel casing and impeller

Impeller size

Number of motor poles
 2=2900 r/min 50 Hz
 4=1400 r/min 50 Hz
 6=900 r/min 50 Hz

T=Three-phase
 M=Single-phase

Motor power (HP)

Technical characteristics

Model	Speed (r/min)	Maximum admissible current (A)			Installed power (kW)	Maximum flow rate m ³ /h	Sound pressure level dB (A)	Approx. weight (Kg)	According ErP
		230V	400V	690V					
CMP-38-2M/E	2650	0.50			0.01	135	50	2	Excluded
CMP-38-2M	2600	0.50			0.01	160	50	2	Excluded
CMP-512-2T	2670	0.64	0.37		0.09	380	62	4	Excluded
CMP-512-2M	2760	0.79			0.09	380	62	4	Excluded
CMP-512-4T	1320	0.65	0.38		0.09	255	55	4	Excluded
CMP-512-4M	1370	0.83			0.09	255	55	4	Excluded
CMP-514-2T	2750	1.21	0.70		0.18	700	65	5	2015
CMP-514-2M	2780	1.42			0.18	700	65	5	2015
CMP-514-4T	1320	0.65	0.38		0.09	565	58	5	Excluded
CMP-514-4M	1370	0.83			0.09	565	58	5	Excluded
CMP-616-2T	2760	2.57	1.49		0.55	1380	69	8	2015
CMP-616-2M	2810	3.49			0.55	1380	69	10	2015
CMP-616-4T	1320	0.65	0.38		0.09	850	61	8	Excluded
CMP-616-4M	1370	0.83			0.09	850	61	8	Excluded
CMP-620-2T	2710	1.92	1.11		0.37	765	68	10	2015
CMP-620-2M	2780	2.53			0.37	765	68	10	2015
CMP-620-4T	1320	0.96	0.56		0.12	810	61	8	Excluded

SMALL SERIES

Technical characteristics

Model	Speed	Maximum admissible current (A)			Installed power	Maximum flow rate	Sound pressure level	Approx. weight	According ErP
	(r/min)	230V	400V	690V	(kW)	m³/h	dB (A)	(Kg)	
CMP-620-4M	1380	1.03			0.12	810	61	8	Excluded
CMP-718-2T IE3	2825	2.80	1.62		0.75	1485	70	18	2015
CMP-718-2M	2810	4.50			0.75	1485	70	13	2015
CMP-718-4T	1350	1.66	0.96		0.25	1280	63	10	2015
CMP-718-4M	1370	2.00			0.25	1280	63	10	2015
CMP-820-2T IE3	2830	4.03	2.34		1.10	1950	73	16	2015
CMP-820-2M	2820	6.51			1.10	1950	73	16	2015
CMP-820-4T	1350	1.66	0.96		0.25	1670	66	10	2015
CMP-820-4M	1370	2.00			0.25	1670	66	10	2015
CMP-922-2T-1.5 IE3	2830	4.03	2.34		1.10	1650	70	21	2015
CMP-922-2T-2 IE3	2875	5.34	3.07		1.50	2010	71	27	2015
CMP-922-2T-3 IE3	2910	7.32	4.21		2.20	2600	74	30	2015
CMP-922-4T	1380	2.92	1.69		0.55	2450	66	19	2015
CMP-1025-2T-3 IE3	2910	7.32	4.21		2.20	2100	73	33	2015
CMP-1025-2T-4 IE3	2910	10.00	5.77		3.00	2830	77	41	2015
CMP-1025-4T IE3	1455	4.07	2.34		1.10	3400	70	43	2015
CMP-1128-2T-4 IE3	2910	10.00	5.77		3.00	2220	77	45	2015
CMP-1128-2T-5.5 IE3	2900	13.00	7.50		4.00	3210	81	56	2015
CMP-1128-4T IE3	1435	7.93	4.56		2.20	5000	74	40	2015
CMP-1128-6T IE3	940	3.36	1.93		0.75	3300	60	32	2015
CMP-1231-4T-3 IE3	1435	7.93	4.56		2.20	4740	73	48	2015
CMP-1231-4T-4 IE3	1440	10.70	6.15		3.00	5910	75	54	2015
CMP-1231-4T-5.5 IE3	1450	13.90	8.00		4.00	6850	77	58	2015
CMP-1231-6T IE3	950	6.43	3.70		1.50	5115	64	53	2015
CMP-1435-4T-4 IE3	1440	10.70	6.15		3.00	5560	76	58	2015
CMP-1435-4T-5.5 IE3	1450	13.90	8.00		4.00	6260	78	64	2015
CMP-1435-4T-7.5 IE3	1465		10.30	5.97	5.50	7210	80	99	2015
CMP-1640-4T-5.5 IE3	1450	13.90	8.00		4.00	7000	77	81	2015
CMP-1640-4T-7.5 IE3	1465		10.30	5.97	5.50	8035	80	116	2015
CMP-1640-4T-10 IE3	1465		13.90	8.06	7.50	9710	82	120	2015
CMP-1640-6T IE3	950	9.08	5.22		2.20	8100	71	80	2015
CMP-1845-4T-7.5 IE3	1465		10.30	5.97	5.50	8000	82	117	2015
CMP-1845-4T-10 IE3	1465		13.90	8.06	7.50	10000	85	121	2015
CMP-1845-6T IE3	950	9.08	5.22		2.20	7500	77	88	2015
CMP-2050-4T-10 IE3	1465		13.90	8.06	7.50	9000	83	150	2015
CMP-2050-4T-15 IE3	1470		20.90	12.10	11.00	12525	87	178	2015
CMP-2050-4T-20 IE3	1465		27.90	16.20	15.00	16500	89	189	2015
CMP-2050-6T IE3	960	15.60	8.99		4.00	11000	79	144	2015



Erp. (Energy Related Products)

Information on Directive 2009/125/EC can be downloaded from the SODECA website or the QuickFan selector programme.

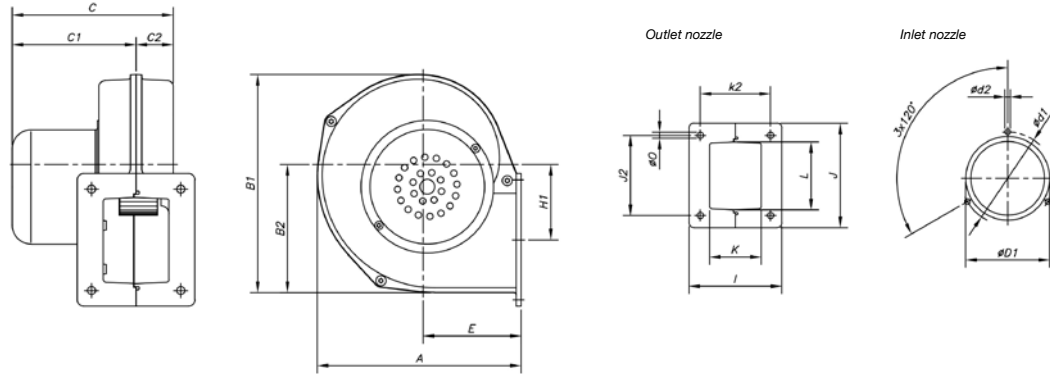
Acoustic characteristics

Sound power spectrum Lw(A) in dB(A) per Hz frequency band

Model	63	125	250	500	1000	2000	4000	8000	Model	63	125	250	500	1000	2000	4000	8000
38	25	35	46	53	57	54	52	45	1128-2-5.5	56	66	77	84	88	85	83	76
512-2	37	47	58	65	69	66	64	57	1128-4	49	59	70	77	81	78	76	69
512-4	30	40	51	58	62	59	57	50	1128-6	35	45	56	63	67	64	62	55
514-2	40	50	61	68	72	69	67	60	1231-4-3	51	60	71	78	82	80	78	71
514-4	33	43	54	61	65	62	60	53	1231-4-4	53	62	73	80	84	82	80	73
616-2	44	54	65	72	76	73	71	64	1231-4-5.5	55	64	75	82	86	84	82	75
616-4	36	46	57	64	68	65	63	56	1231-6	42	51	62	69	73	71	69	62
620-2	43	53	64	71	75	72	70	63	1435-4-4	54	63	74	81	85	83	81	74
620-4	36	46	57	64	68	65	63	56	1435-4-5.5	56	65	76	83	87	85	83	76
718-2	45	55	66	73	77	74	72	65	1435-4-7.5	58	67	78	85	89	87	85	78
718-4	38	48	59	66	70	67	65	58	1640-4-5.5	55	64	75	82	86	84	82	75
820-2	48	58	69	76	80	77	75	68	1640-4-7.5	58	67	78	85	89	87	85	78
820-4	41	51	62	69	73	70	68	61	1640-4-10	60	69	80	87	91	89	87	80
922-2-1.5	45	55	66	73	77	74	72	65	1640-6	49	58	69	76	80	78	76	69
922-2-2	46	56	67	74	78	75	73	66	1845-4-7.5	61	71	82	89	93	91	89	81
922-2-3	49	59	70	77	81	78	76	69	1845-4-10	64	74	85	92	96	94	92	84
922-4	41	51	62	69	73	70	68	61	1845-6	56	66	77	84	88	86	84	76
1025-2-3	48	58	69	76	80	77	75	68	2050-4-10	62	72	83	90	94	92	90	82
1025-2-4	52	62	73	80	84	81	79	72	2050-4-15	66	76	87	94	98	96	94	86
1025-4	45	55	66	73	77	74	72	65	2050-4-20	68	78	89	96	100	98	96	88
1128-2-4	52	62	73	80	84	81	79	72	2050-6	58	68	79	86	90	88	86	78

Dimensions mm

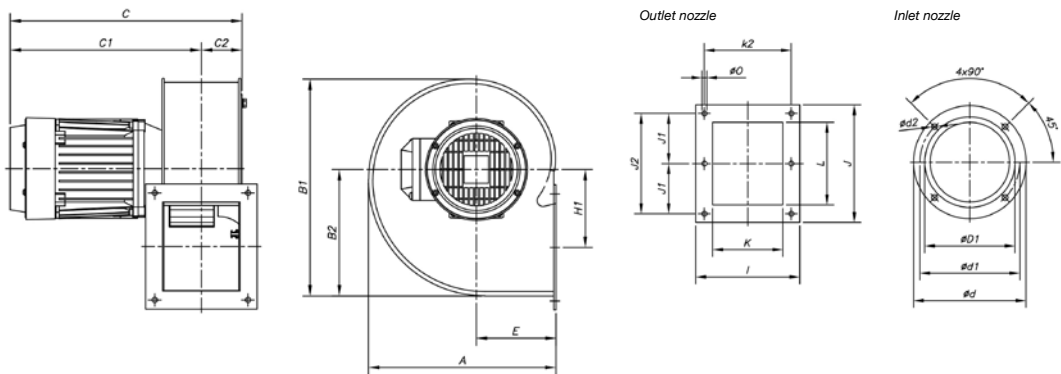
CMP-38



	A	B1	B2	C	C1	C2	øD1*	ød1	ød2	E	H1	I	J	J2	K	k2	L	øO
CMP-38-2M/E	141	165	97	122	96	26	80	85	2.4	60	60.5	100	80	46	50	77	52	8
CMP-38-2M	164.5	176.5	103.5	130	100	30	60	85	M4	79	61	95	107	82	53	72	69	6.5

* Recommended nominal tube diameter

CMP-512...820

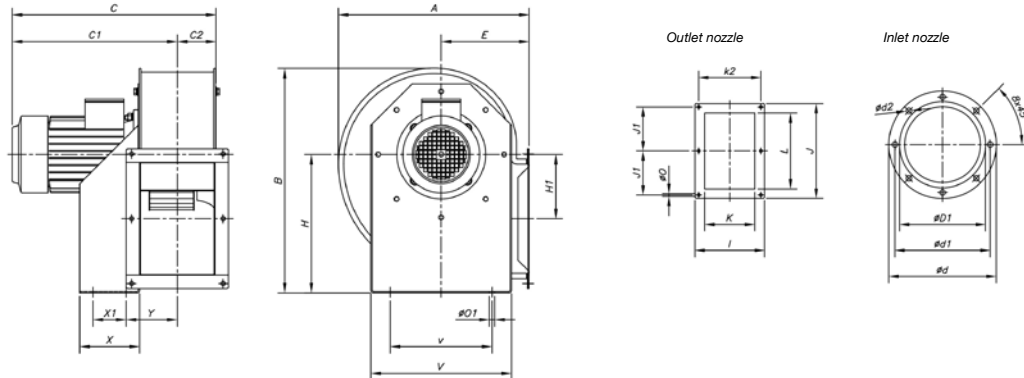


	A	B1	B2	C	C1	C2	øD1*	ød	ød1	ød2	E	H1	I	J	J1	J2	K	k2	L	øO
CMP-512-2T	185	206.5	118	251	212	39	112	140	132	M4	81	69	106	118	-	104.5	75	93	86	5.5
CMP-512-4T	185	206.5	118	249	210	39	112	140	132	M4	81	69	106	118	-	104.5	75	93	86	5.5
CMP-514-2T	225	254	150	281	236	45	140	169	151.5	M4	100	91	122	147	64	128	83	105	107	6.5
CMP-514-4T	225	254	150	261	216	45	140	169	151.5	M4	100	91	122	147	64	128	83	105	107	6.5
CMP-616-2T	258	297	173.5	320	264	56	160	204	180	M6	110	105.5	153	172	-	147	103	128	122	7
CMP-616-4T	258	297	173.5	283	227	56	160	204	180	M6	110	105.5	153	172	-	147	103	128	122	7
CMP-620-2T	298	347	202.5	321	265	56	200	247	230	M6	126	145.5	159	153	-	128	105	134	100	8
CMP-620-4T	298	347	202.5	283	227	56	200	247	230	M6	126	145.5	159	153	-	128	105	134	100	8
CMP-718-2T	303.5	348	201	355	294	61	180	238	210	M6	129.5	122	169	192	85	170	115	145	146	9
CMP-718-2M	303.5	348	201	355	245	61	180	238	210	M6	129.5	122	169	192	85	170	115	145	146	9
CMP-718-4T	303.5	348	201	331	270	61	180	238	210	M6	129.5	122	169	192	85	170	115	145	146	9
CMP-718-4M	303.5	348	201	331	270	61	180	238	210	M6	129.5	122	169	192	85	170	115	145	146	9
CMP-820-2T	322	377	223	369.5	301	68.5	200	247	230	M6	137.5	137	184	213	94.5	189	130	160	156	9
CMP-820-2M	322	377	223	369.5	301	68.5	200	247	230	M6	137.5	137	184	213	94.5	189	130	160	156	9
CMP-820-4T	322	377	223	345.5	277	68.5	200	247	230	M6	137.5	137	184	213	94.5	189	130	160	156	9
CMP-820-4M	322	377	223	345.5	277	68.5	200	247	230	M6	137.5	137	184	213	94.5	189	130	160	156	9

* Recommended nominal tube diameter

Dimensions mm

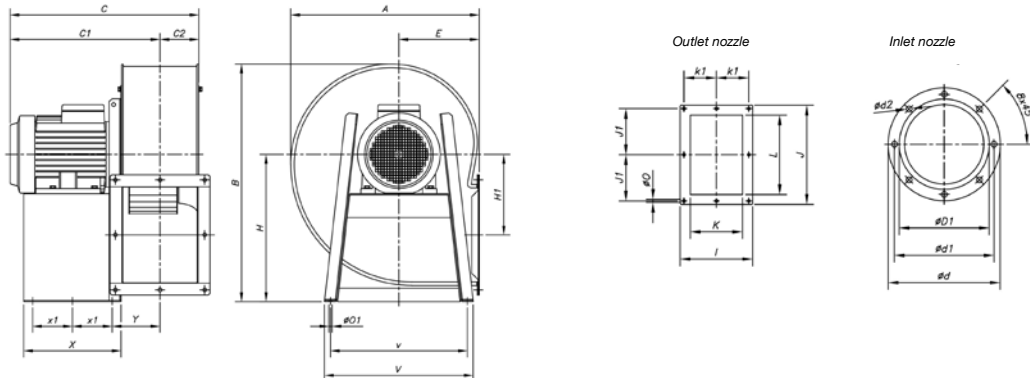
CMP-922...1231



	A	B	C	C1	C2	ØD1*	Ød	Ød1	Ød2	E	H	H1	I	J	J1	K	k2	L	ØO	ØO1	V	v	X	X1	Y
CMP-922-2T-1.5	388.5	455	382.5	309	73.5	224	278	256	M8	180	280	134	204	282.5	128	140	180	215	9.5	10.5	290	220	114	50	105
CMP-922-2T-2	388.5	455	430.5	357	73.5	224	278	256	M8	180	280	134	204	282.5	128	140	180	215	9.5	10.5	290	220	114	50	105
CMP-922-2T-3	388.5	455	430.5	357	73.5	224	278	256	M8	180	280	134	204	282.5	128	140	180	215	9.5	10.5	290	220	114	50	105
CMP-922-4T	388.5	455	382.5	309	73.5	224	278	256	M8	180	280	134	204	282.5	128	140	180	215	9.5	10.5	290	220	114	50	105
CMP-1025-2T-3	427	503	456	370	86	250	305	282	M8	197	310	144	229	312.5	145	165	205	250	9.5	12.5	315	228	134	74	115.5
CMP-1025-2T-4	427	503	486	400	86	250	305	282	M8	197	310	144	229	312.5	145	165	205	250	9.5	12.5	315	228	134	74	115.5
CMP-1025-4T	427	503	456	370	86	250	305	282	M8	197	310	144	229	312.5	145	165	205	250	9.5	12.5	315	228	134	74	115.5
CMP-1128-2T-4	472	553	500.5	407	93.5	280	348	320	M8	216	340	152	244	364	170	180	220	296.5	9.5	12.5	348	245	144	95	122.5
CMP-1128-2T-5.5	472	553	523.5	430	93.5	280	348	320	M8	216	340	152	244	364	170	180	220	296.5	9.5	12.5	348	245	144	95	122.5
CMP-1128-4T	472	553	500.5	407	93.5	280	348	320	M8	216	340	152	244	364	170	180	220	296.5	9.5	12.5	348	245	144	95	122.5
CMP-1128-6T	472	553	470.5	377	93.5	280	348	320	M8	216	340	152	244	364	170	180	220	296.5	9.5	12.5	348	245	144	95	122.5
CMP-1231-4T-3	526	630	520.5	417	103.5	315	382	354	M8	238	390	179.5	264	382.5	180	200	240	320	11.5	13	382	322	183	140	126
CMP-1231-4T-4	526	630	520.5	417	103.5	315	382	354	M8	238	390	179.5	264	382.5	180	200	240	320	11.5	13	382	322	183	140	126
CMP-1231-4T-5.5	526	630	543.5	440	103.5	315	382	354	M8	238	390	179.5	264	382.5	180	200	240	320	11.5	13	382	322	183	140	126
CMP-1231-6T	526	630	520.5	417	103.5	315	382	354	M8	238	390	179.5	264	382.5	180	200	240	320	11.5	13	382	322	183	140	126

* Recommended nominal tube diameter

CMP-1435...2563



	A	B	C	C1	C2	ØD1*	Ød	Ød1	Ød2	E	H	H1	I	J	J1	K	k1	L	ØO	ØO1	V	v	X	X1	Y
CMP-1435-4T-4	573.5	715	549	431	118	355	422	394	M8	250	445	242.5	292	342.5	159	228	133	280	11.5	12	456	420	333	136.5	150
CMP-1435-4T-5.5	573.5	715	572	454	118	355	422	394	M8	250	445	242.5	292	342.5	159	228	133	280	11.5	12	456	420	333	136.5	150
CMP-1435-4T-7.5	573.5	715	610	492	118	355	422	394	M8	250	445	242.5	292	342.5	159	228	133	280	11.5	12	456	420	333	136.5	150
CMP-1640-4T-5.5	634	799	596	465	130	400	464	438	M8	270	495	271	336	404	185	250	150	321	11.5	12	500	460	327	133.5	162.5
CMP-1640-4T-7.5	634	799	634	504	130	400	464	438	M8	270	495	271	336	404	185	250	150	321	11.5	12	500	460	327	133.5	162.5
CMP-1640-4T-10	634	799	634	504	130	400	464	438	M8	270	495	271	336	404	185	250	150	321	11.5	12	500	460	327	133.5	162.5
CMP-1640-6T	634	799	596	466	130	400	464	438	M8	270	495	271	336	404	185	250	150	321	11.5	12	500	460	327	133.5	162.5
CMP-1845-4T-7.5	711	901	668	521	147	450	515	485	M8	302	560	305	370	444	202	284	164	361	11.5	12	538	502	340	140	179.5
CMP-1845-4T-10	711	901	668	521	147	450	515	485	M8	302	560	305	370	444	202	284	164	361	11.5	12	538	502	340	140	179.5
CMP-1845-6T	711	901	630	483	147	450	515	485	M8	302	560	305	370	444	202	284	164	361	11.5	12	538	502	340	140	179.5
CMP-2050-4T-10	797	987	700.5	538	162.5	500	565	535	M10	345	610	313	411	544	250	315	182.5	451	11.5	12	653	615	435	188	196
CMP-2050-4T-15	797	987	805.5	643	162.5	500	565	535	M10	345	610	313	411	544	250	315	182.5	451	11.5	12	653	615	435	188	196
CMP-2050-4T-20	797	987	805.5	643	162.5	500	565	535	M10	345	610	313	411	544	250	315	182.5	451	11.5	12	653	615	435	188	196
CMP-2050-6T	797	987	700.5	538	162.5	500	565	535	M10	345	610	313	411	544	250	315	182.5	451	11.5	12	653	615	435	188	196

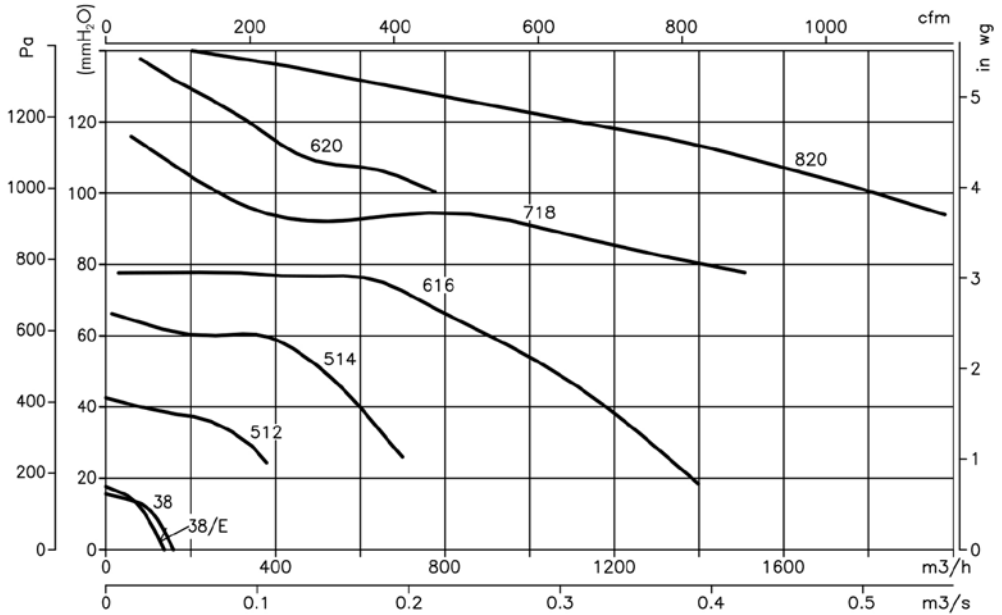
* Recommended nominal tube diameter

Characteristic curves

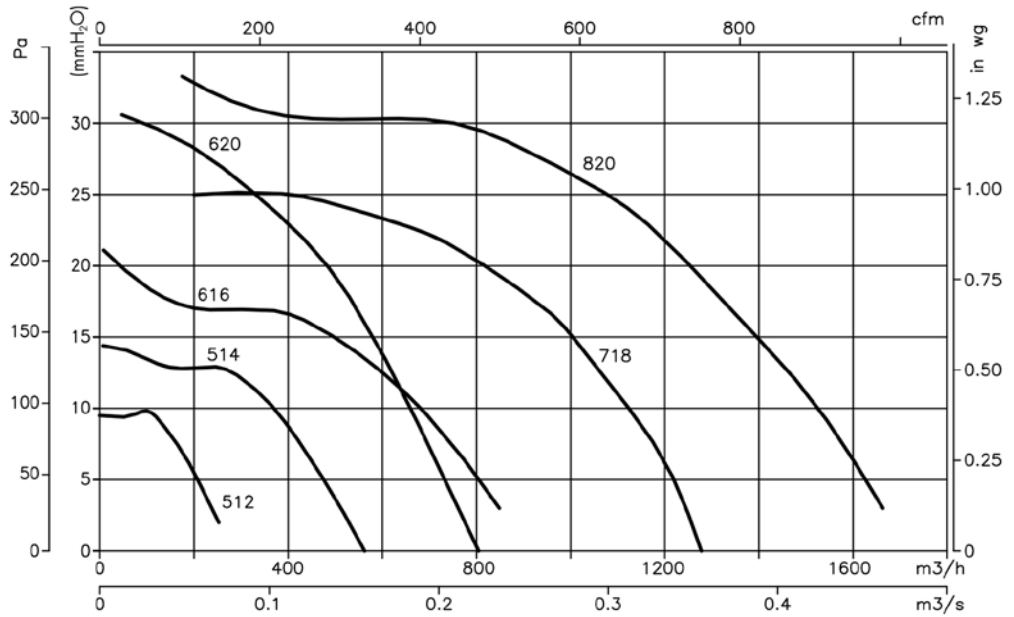
Q= Flow rate in m³/h, m³/s and cfm

Pe= Static pressure in mm H₂O, Pa and inwg

2T/2M=3000 r/min



4T/4M=1500 r/min

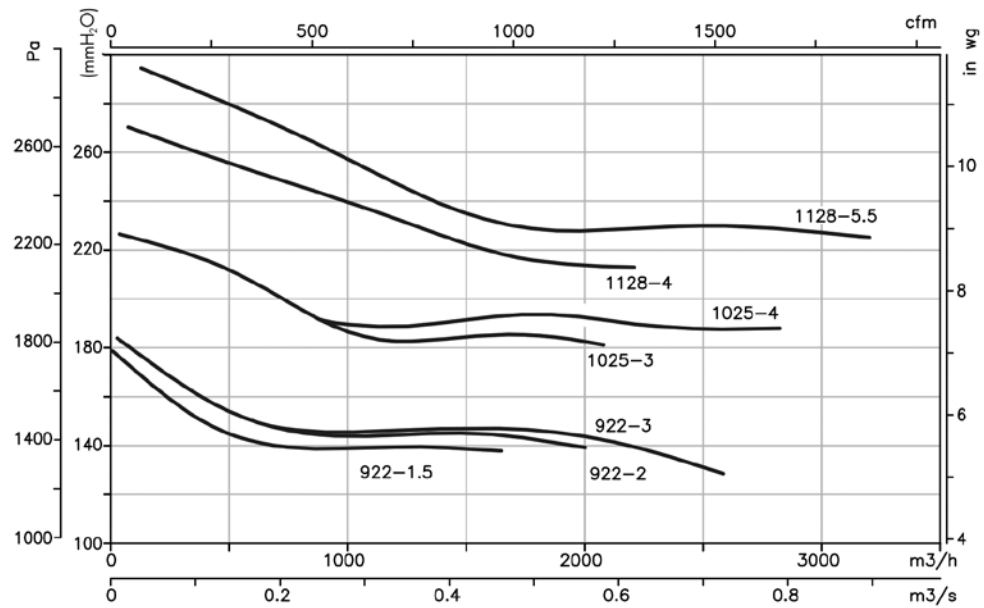


Characteristic curves

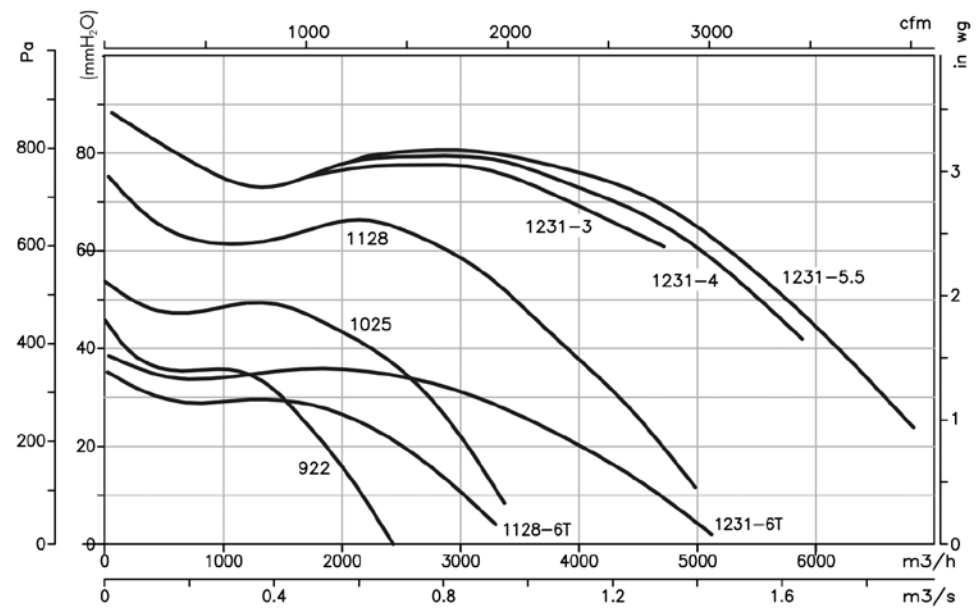
Q= Flow rate in m³/h, m³/s and cfm

Pe= Static pressure in mm H₂O, Pa and inwg

2T=3000 r/min



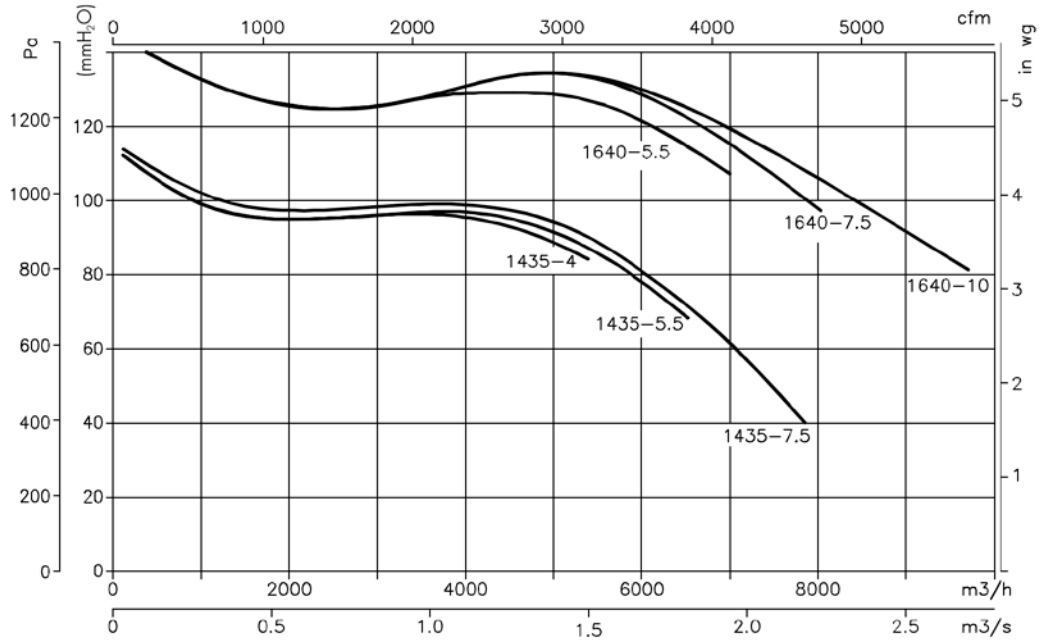
**4T=1500 r/min
6T=1000 r/min**



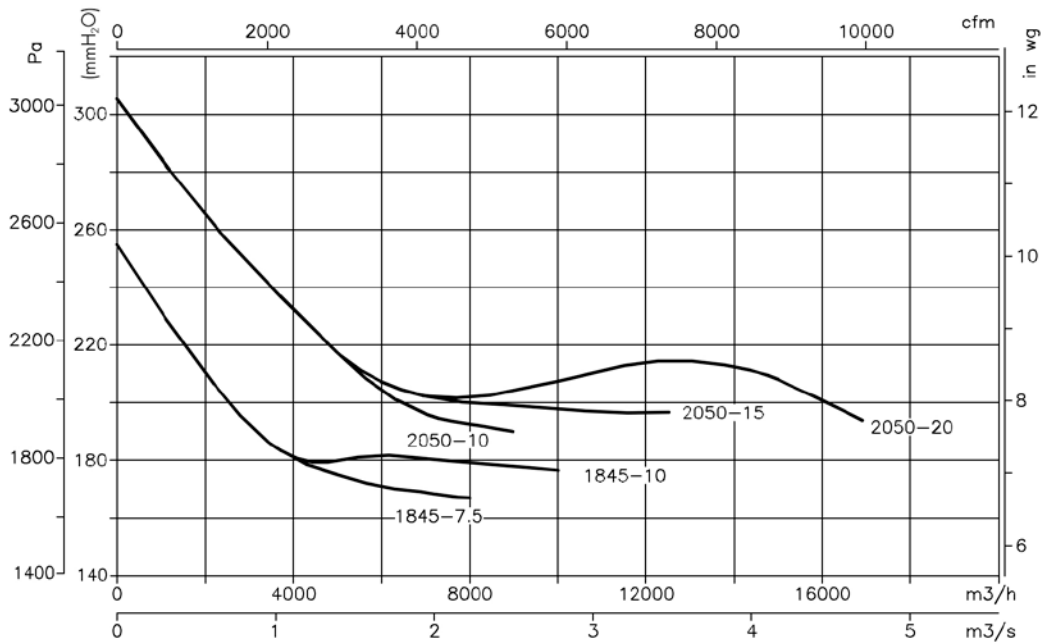
Characteristic curves

Q= Flow rate in m³/h, m³/s and cfm Pe= Static pressure in mm H₂O, Pa and inwg

4T=1500 r/min



4T=1500 r/min



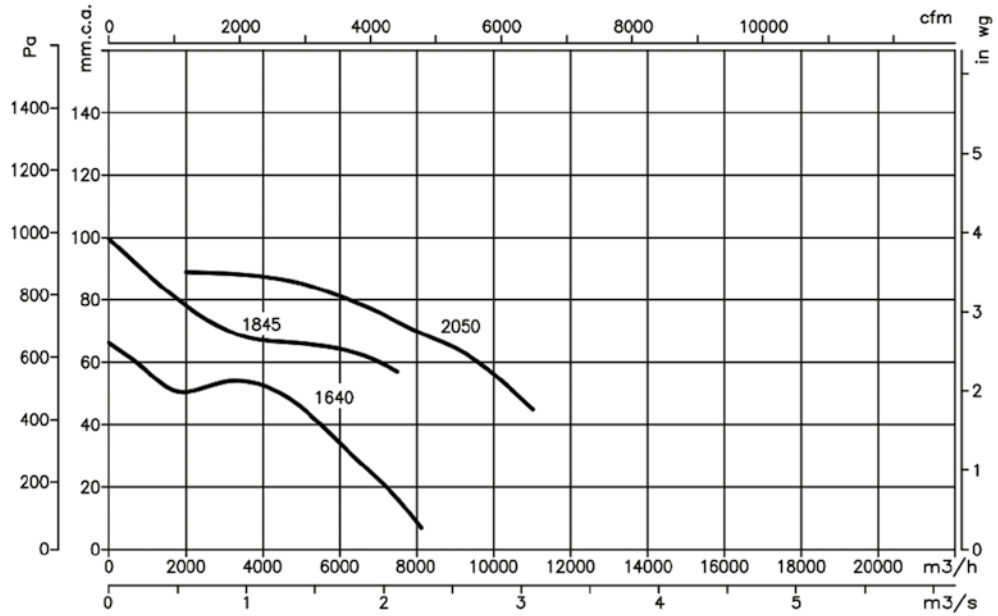
SMALL SERIES

Characteristic curves

Q= Flow rate in m³/h, m³/s and cfm

Pe= Static pressure in mm H₂O, Pa and inwg

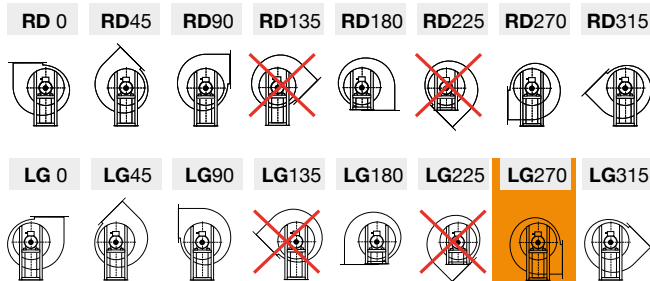
6T=1000 r/min



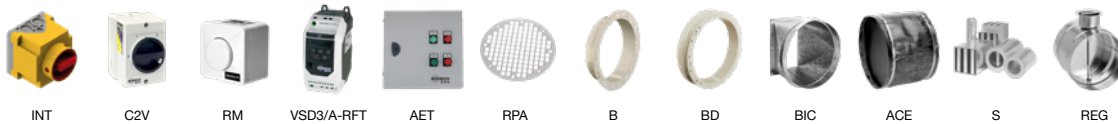
Orientations

Standard supply LG 270

Positions LG 180 and RD 180 on request with special anchoring measurements.



Accessories



SMALL SERIES

CMPE



Single inlet medium pressure centrifugal fans with external rotor motor

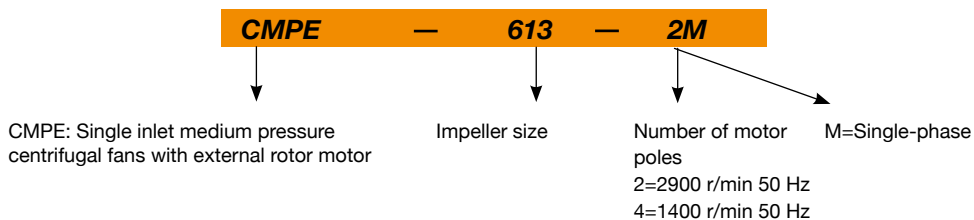


- Fan:
- Sheet steel casing.
 - Forward curved impeller.
 - External terminal box with cable entry with cable glands.

- Finishing:
- Anti-corrosive finish in polyester resin, polymerised at 190 °C, after degreasing with phosphate-free nanotechnology treatment.

- Motor:
- Class F motors with outer rotor, with ball bearings.
 - Single-phase 230V 50/60 Hz.
 - Maximum temperature of air to be carried: -20 °C +60 °C.

Order code



Technical characteristics

Model	Speed	Maximum admissible current (A)	Max. electric power	Maximum flow rate	Sound pressure level	Approx. weight	According ErP
	(r/min)	230V	(kW)	m3/h	dB (A)	(Kg)	
CMPE-613-2M	1800	0.45	0.105	295	59	2.6	Excluded
CMPE-614-2M	2230	0.75	0.177	510	65	3.0	Excluded
CMPE-716-4M	1430	0.32	0.060	440	59	3.6	Excluded
CMPE-918-4M	1360	0.75	0.155	960	67	5.5	Excluded

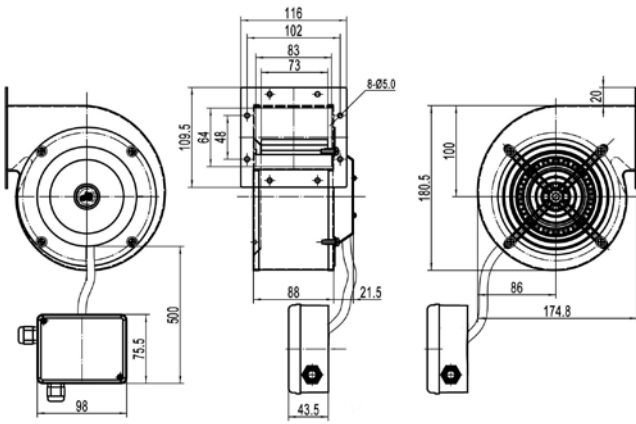


Erp. (Energy Related Products)

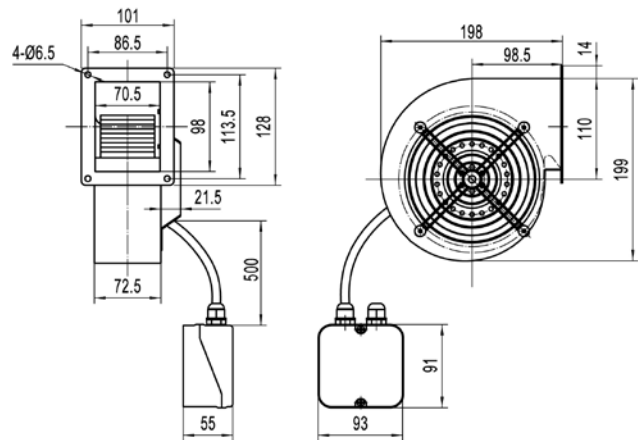
Information on Directive 2009/125/EC can be downloaded from the SODECA website or the QuickFan selector programme.

Dimensions mm

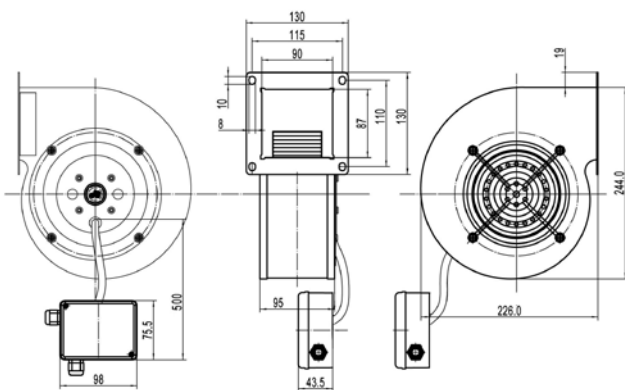
CMPE-613-2M



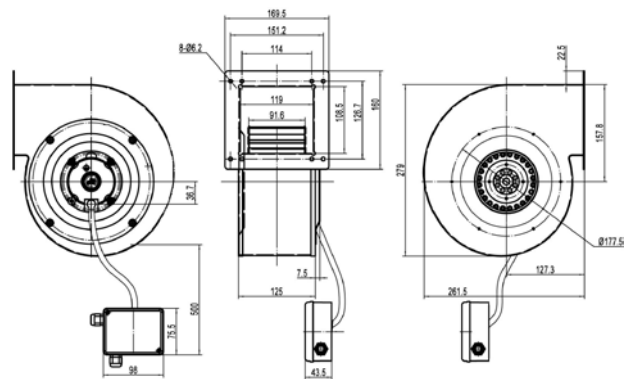
CMPE-614-2M



CMPE-716-4M



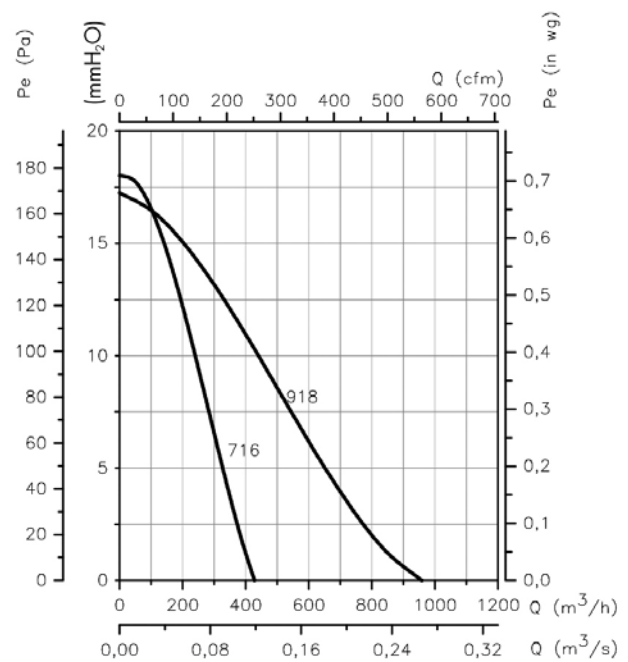
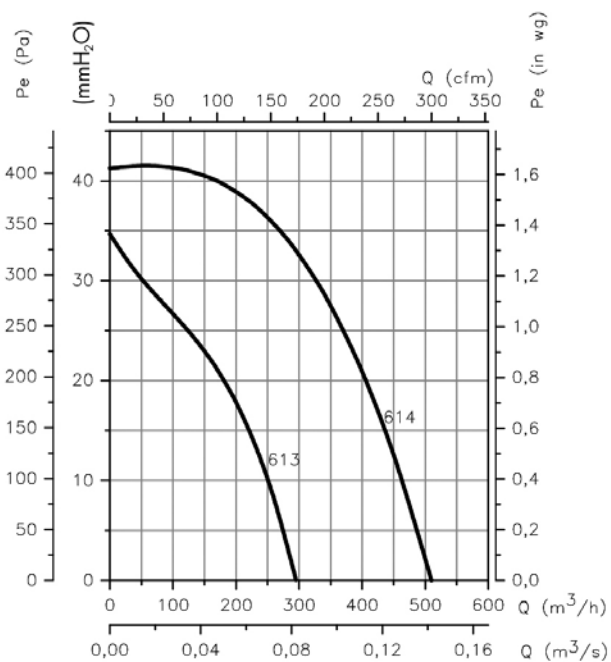
CMPE-918-4M



Characteristic curves

Q= Flow rate in m³/h, m³/s and cfm

Pe= Static pressure in mm H₂O, Pa and inwg



CRL



Centrifugal medium pressure single inlet fans with backward curved impeller



Fan:

- Sheet steel casing.
- Backward curved impeller made of sheet steel.
- Maximum temperature of air to be carried: -20 °C +120 °C.

Finishing:

- Anti-corrosive finish in polyester resin, polymerised at 190 °C, after degreasing with phosphate-free nanotechnology treatment.

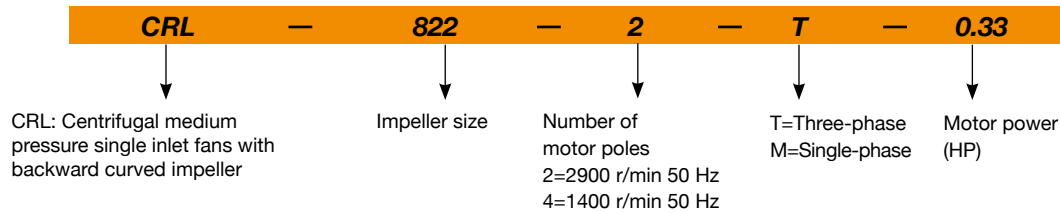
Motor:

- Motors with IE3 efficiency for powers equal to or greater than 0.75kW, except single-phase, 2-speed and 8-pole.
- Class F motors with ball bearings and IP55 protection.
- Three-phase 230/400 V 50 Hz.

On request:

- 60 Hz models.
- Special windings for different voltages.
- Fan prepared to transport air up to +250 °C.
- Stainless steel fan.

Order code



Technical characteristics

Model	Speed (r/min)	Maximum admissible current (A)		Installed power (kW)	Maximum flow rate (m³/h)	Sound pressure level dB(A)	Approx. weight (Kg)	According ErP
		230V	400V					
CRL-822-2T-0.33	2760	1.24	0.71	0.25	1350	72	19	2015
CRL-925-2T-0.5	2830	1.56	0.90	0.37	1850	75	22	2015
CRL-1028-2T-0.75	2780	2.17	1.25	0.55	2600	77	29	2015
CRL-1031-2T-1.5 IE3	2830	4.03	2.32	1.10	3600	82	41	2015
CRL-1135-2T-3 IE3	2870	7.70	4.43	2.20	5230	71	59	2015
CRL-1240-2T-4 IE3	2910	10.00	5.77	3.00	7320	90	85	2015
CRL-1240-4T-1 IE3	1420	2.82	1.62	0.75	3630	74	66	2015
CRL-1445-4T-1.5 IE3	1455	4.07	2.34	1.10	6170	78	83	2015
CRL-1650-4T-2 IE3	1450	5.48	3.15	1.50	8500	81	106	2015
CRL-1856-4T-3 IE3	1435	7.93	4.56	2.20	12080	84	132	2015

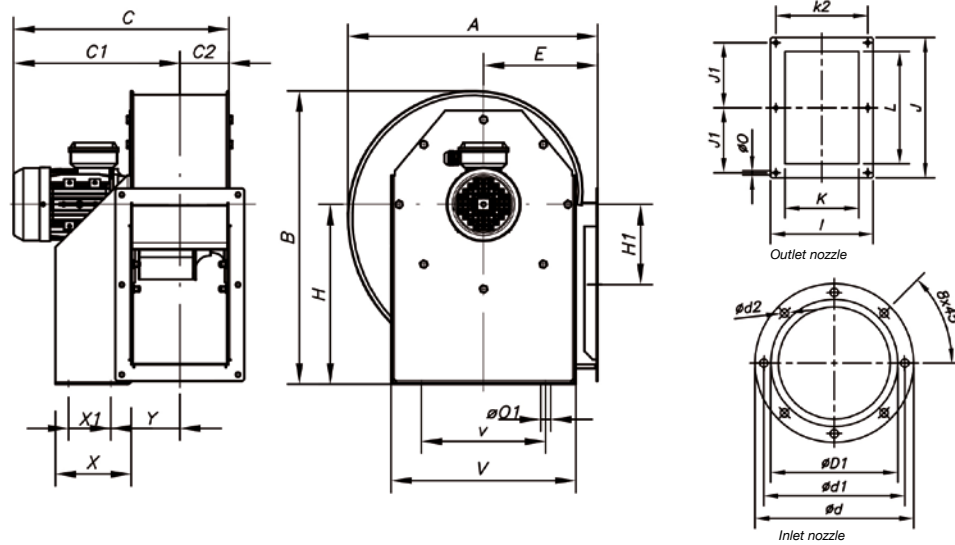
Acoustic characteristics

Sound power spectrum Lw(A) in dB(A) per Hz frequency band

Model	63	125	250	500	1000	2000	4000	8000	Model	63	125	250	500	1000	2000	4000	8000
CRL-822-2T-0.33	54	67	67	80	75	75	75	68	CRL-1240-2T-4 IE3	69	84	82	94	91	95	97	84
CRL-925-2T-0.5	58	71	71	84	79	79	79	72	CRL-1240-4T-1 IE3	57	71	77	80	80	81	71	60
CRL-1028-2T-0.75	59	72	72	85	80	80	80	73	CRL-1445-4T-1.5 IE3	60	73	79	84	81	84	79	65
CRL-1031-2T-1.5 IE3	65	78	78	91	86	86	86	79	CRL-1650-4T-2 IE3	67	77	85	87	86	88	79	69
CRL-1135-2T-3 IE3	57	64	62	74	72	78	77	64	CRL-1856-4T-3 IE3	68	77	90	86	89	90	84	70

Dimensions mm

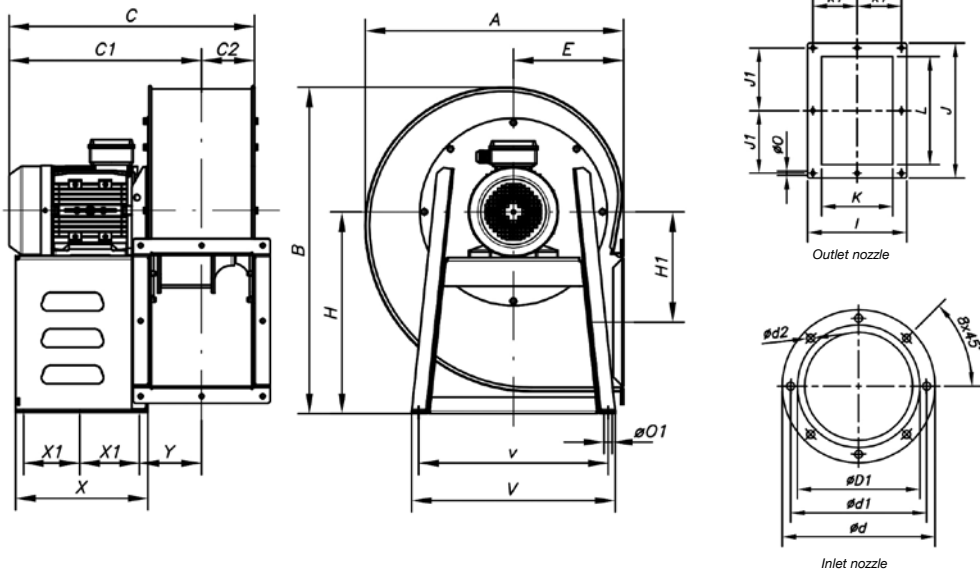
CRL-822-1028



	A	B	C	C1	C2	ØD1*	ød	Ød1	Ød2	E	H	H1	I	J	J1	K	K2	L	Ø0	Ø01	V	v	X	X1	Y
CRL-822-2T	388	455	342.5	270	71.5	224	278	256	M8	180	280	134	204	282.5	128	140	180	215	9.5	10.5	290	220	114	50	105
CRL-925-2T	427	500	390	306	85	250	305	282	M8	197	310	145	229	312.5	145	165	205	250	9.5	12.5	315	228	134	74	115
CRL-1028-2T	472	550	407	315	93	280	348	320	M8	215	340	152	244	364	170	180	220	296.5	9.5	12.5	350	245	144	95	120

* Recommended nominal tube diameter

CRL-1031-1856



	A	B	C	C1	C2	ØD1*	ød	Ød1	Ød2	E	H	H1	I	J	J1	K	K1	K2	L	Ø0	Ø01	V	v	X	X1	Y
CRL-1031-2T	526	630	445	340	103.5	315	382	354	M8	238	390	180	264	382.5	180	200	--	240	320	11.5	12	430	400	200	155	130
CRL-1135-2T	573.5	715	500	382.5	118	355	422	394	M8	250	450	242.5	292	342.5	159	228	133	-	280	11.5	12	485	455	245	195	145
CRL-1240-2T	635	800	585	455	130	400	464	438	M8	270	495	270	336	404	185	250	150	-	321	11.5	12	500	460	300	133.5	125
CRL-1240-4T	635	800	500	368.5	130	400	464	438	M8	270	495	270	336	404	185	250	150	-	321	11.5	12	500	460	250	200	157
CRL-1445-4T	710	900	600	412	147	450	515	485	M8	300	560	305	370	444	202	284	164	-	361	11.5	12	575	550	275	215	180
CRL-1650-4T	797	990	590	427	162.5	500	565	535	M8	345	615	313	411	544	250	315	182.5	-	451	11.5	12	640	615	275	215	195
CRL-1856-4T	900	1100	510	505	182	560	625	610	M8	395	680	325	457	660	203	355	203.5	-	560	13	12	580	550	300	240	215

* Recommended nominal tube diameter

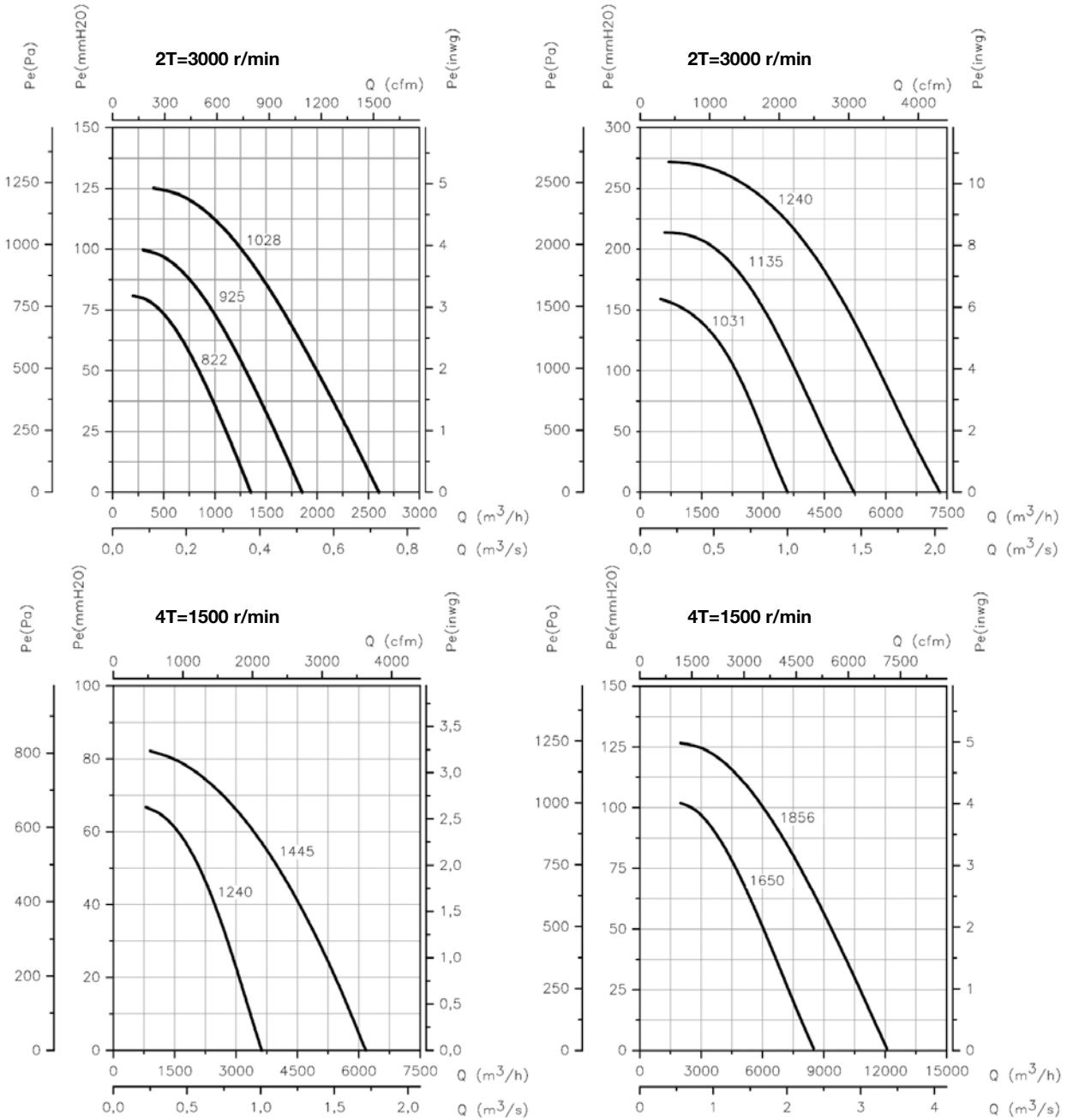


Erp. (Energy Related Products)

Information on Directive 2009/125/EC can be downloaded from the SODECA website or the QuickFan selector programme.

Characteristic curves

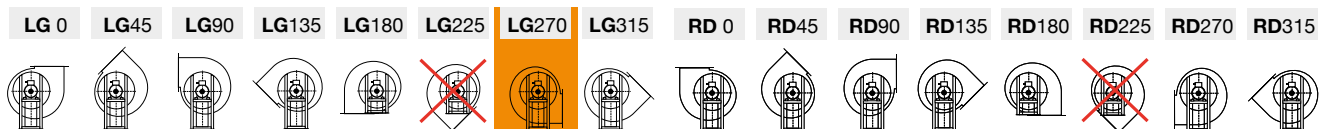
Q= Flow rate in m³/h, m³/s and cfm Pe= Static pressure in mm H₂O, Pa and inwg



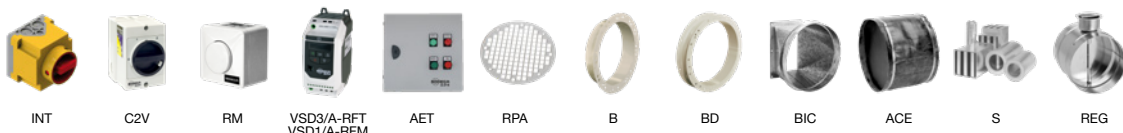
SMALL SERIES

Orientations

Standard supply LG 270
 Positions LG 180 and RD 180 on request with special anchoring measurements.
 Models 822, 925, 1028 and 1031 do not admit positions LG 135 or RD 135



Accessories



CMR

Very robust single inlet, medium pressure centrifugal fans, equipped with a backward curved impeller



Fan:

- Sheet steel casing.
- Backward curved impeller in highly robust sheet steel.

Motor:

- Motors with IE3 efficiency for powers equal to or greater than 0.75kW, except single-phase, 2-speed and 8-pole.
- Class F motors with ball bearings, IP55 protection.
- Three-phase 230/400 V 50 Hz (up to 4 kW) and 400/690 V 50 Hz (powers greater than 4 kW).
- Maximum temperature of air to be carried: -20 °C +120 °C.

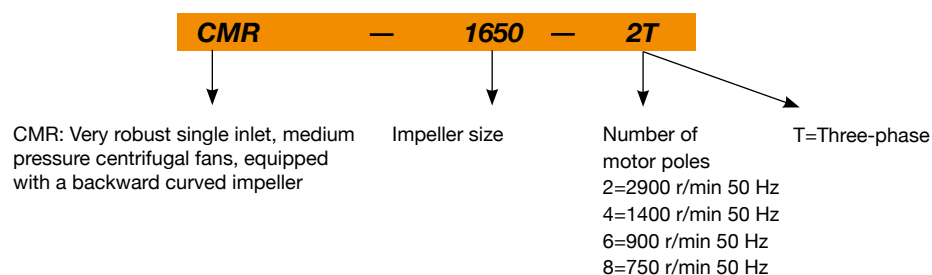
Finishing:

- Anti-corrosive finish in polyester resin, polymerised at 190 °C, after degreasing with phosphate-free nanotechnology treatment.

On request:

- Special windings for different voltages.
- Fan prepared to transport air up to +250 °C.
- Stainless steel fan.
- Category 2 ATEX certification (see CMR/ATEX series).

Order code



Technical characteristics

Model	Speed (r/min)	Maximum admissible current (A)			Installed power (kW)	Maximum flow rate (m ³ /h)	Sound pressure level dB(A)	Approx. weight (Kg)	According ErP
		230V	400V	690V					
CMR-1031-2T IE3	2875	5.34	3.07		1.50	5160	80	48	2015
CMR-1135-2T IE3	2910	7.32	4.21		2.20	7800	83	59	2015
CMR-1240-2T IE3	2900	13.00	7.50		4.00	11100	86	103	2015
CMR-1240-4T IE3	1420	2.82	1.62		0.75	5800	71	72	2015
CMR-1445-2T IE3	2930		14.10	8.17	7.50	16500	87	122	2015
CMR-1445-4T IE3	1455	4.07	2.34		1.10	8030	72	97	2015
CMR-1650-2T IE3	2945		20.00	11.60	11.00	18850	89	210	2015
CMR-1650-4T IE3	1440	5.41	3.11		1.50	10500	74	122	2015
CMR-1856-4T IE3	1440	10.70	6.15		3.00	15150	79	157	2015
CMR-2063-4T IE3	1465		10.30	5.97	5.50	24450	80	249	2015
CMR-2063-6T IE3	950	6.43	3.70		1.50	16100	71	212	2015
CMR-2271-4T IE3	1470		20.90	12.10	11.00	34610	85	340	2015
CMR-2271-6T IE3	970	12.00	6.91		3.00	22750	76	294	2015
CMR-2380-4T IE3	1470		41.00	23.80	22.00	48000	83	431	2015
CMR-2380-6T IE3	975		14.80	8.58	7.50	30000	75	398	2015



Erp. (Energy Related Products)

Information on Directive 2009/125/EC can be downloaded from the SODECA website or the QuickFan selector programme.

Acoustic characteristics

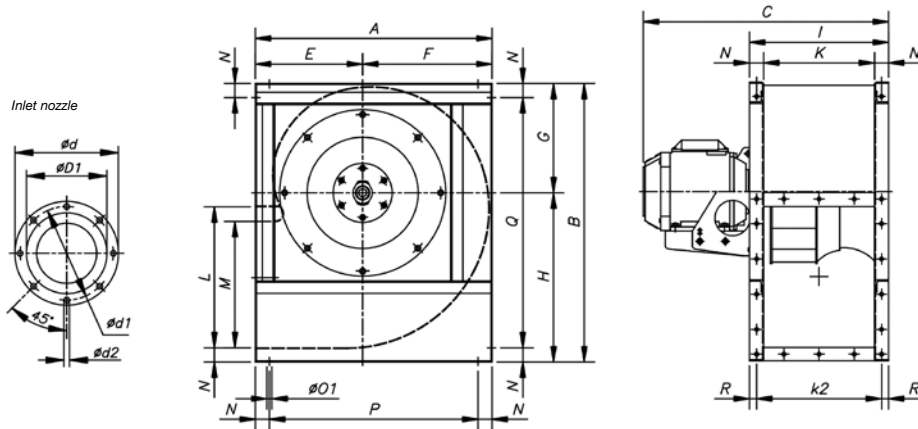
The indicated values are determined by measuring the sound pressure level and sound power in dB(A) obtained in a free field at a distance equivalent to twice the size of the fan plus the impeller diameter, with a minimum of 1.5 m.

Sound power spectrum Lw(A) in dB(A) per Hz frequency band.

Model	63	125	250	500	1000	2000	4000	8000	Model	63	125	250	500	1000	2000	4000	8000
1031-2	65	78	78	91	86	86	86	79	1856-4	69	78	91	87	90	91	85	71
1135-2	72	79	77	89	87	93	92	79	2063-4	80	85	91	93	91	88	81	73
1240-2	68	83	81	93	90	94	96	83	2063-6	69	70	82	82	81	83	73	63
1240-4	56	70	76	79	79	80	70	59	2271-4	83	84	93	96	98	99	95	82
1445-2	73	85	83	95	93	97	99	89	2271-6	73	73	87	86	90	90	79	68
1445-4	59	72	78	83	80	83	78	64	2380-4	76	78	94	91	96	97	93	82
1650-2	73	81	85	99	97	99	99	88	2380-6	68	70	86	83	88	89	85	74
1650-4	64	74	82	84	83	85	76	66									

Dimensions mm

CMR-1031...2271



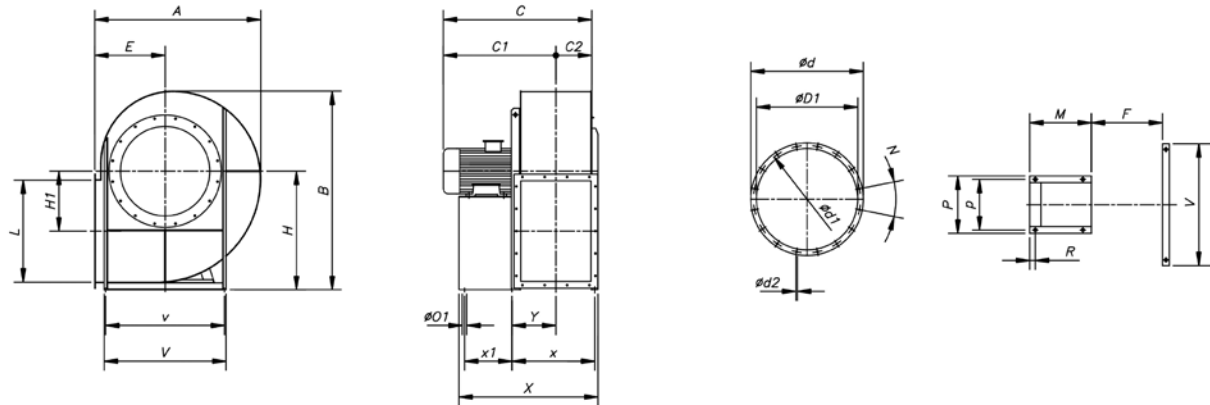
	A	B	C	øD1*	ød	ød1	ød2	E	F	G	H	I	K	k2	L	M	N	øO1	P	Q	R
CMR-1031-2T	542	626	573.5	315	383	356	M8	250	292	245	381	320	250	285	315	276	35	11	472	556	17.5
CMR-1135-2T	600	696	656	355	425	398	M8	275	325	273	423	350	280	315	355	310	35	11	530	626	17.5
CMR-1240-2T	673	790	728	400	472	444	M10	305	368	310	480	395	315	355	400	358	40	11	593	710	20
CMR-1240-4T	673	790	590	400	472	444	M10	305	368	310	480	395	315	355	400	358	40	11	593	710	20
CMR-1445-2T	765	880	810	450	522	494	M10	350	415	339	541	445	355	403	450	404	45	11	675	790	21
CMR-1445-4T	765	880	649	450	522	494	M10	350	415	339	541	445	355	403	450	404	45	11	675	790	21
CMR-1650-2T	832	970	961	500	582	555	M10	375	457	378	592	490	400	450	500	445	45	13	742	880	20
CMR-1650-4T	832	970	715	500	582	555	M10	375	457	378	592	490	400	450	500	445	45	13	742	880	20
CMR-1856-4T	925	1084	832	560	645	615	M10	415	510	426	658	550	450	500	560	493	50	13	825	984	25
CMR-2063-4T	1037	1218	973	630	720	688	M10	465	572	477	741	620	500	560	630	530	60	13	917	1098	30
CMR-2063-6T	1037	1218	893	630	720	688	M10	465	572	477	741	620	500	560	630	530	60	13	917	1098	30
CMR-2271-4T	1173	1375	1126	710	800	768	M12	525	648	538	837	690	560	625	710	603	65	13	1043	1245	32.5
CMR-2271-6T	1173	1375	1039	710	800	768	M12	525	648	538	837	690	560	625	710	603	65	13	1043	1245	32.5

* Recommended nominal tube diameter

SMALL SERIES

Dimensions mm

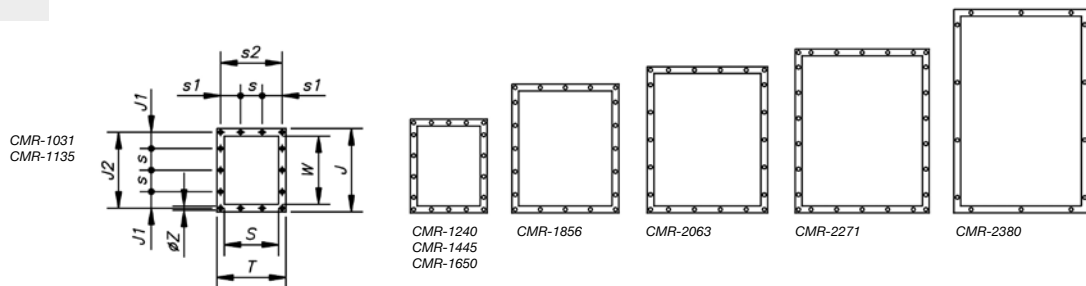
CMR-2380



	A	B	C	C1	C2	ØD1	Ød	Ød1	Ød2	E	H	H1	L	F	M	R	N	Ø01	P
CMR-2380-4T	1312	1592	1174	882	292	805	920	861	15	560	950	482	808	574	543	39	16x22°30'	19	926
CMR-2380-6T	1312	1592	1055	763	292	805	920	861	15	560	950	482	808	574	474	39	16x22°30'	19	926

	p	V	v	X	x	x1	Y
CMR-2380-4T	862	965	862	1184	675	441	353
CMR-2380-6T	862	965	862	1115	675	372	353

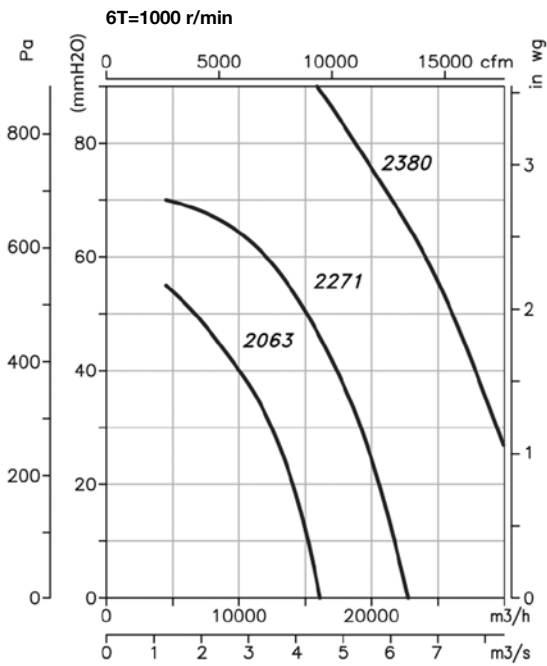
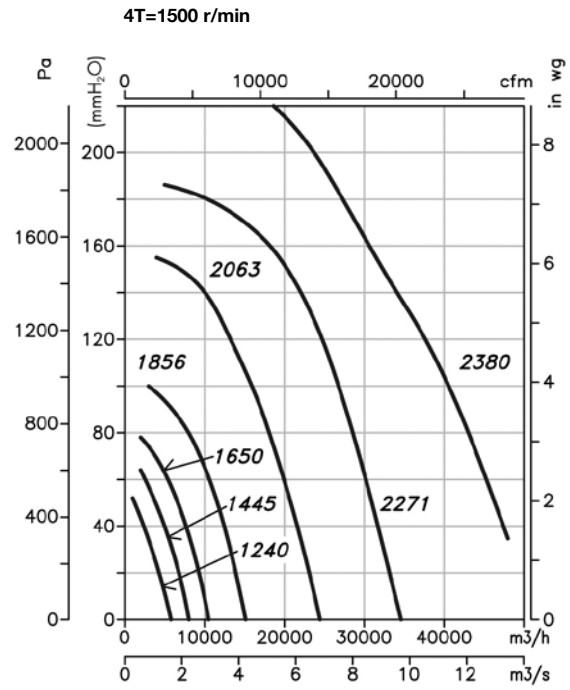
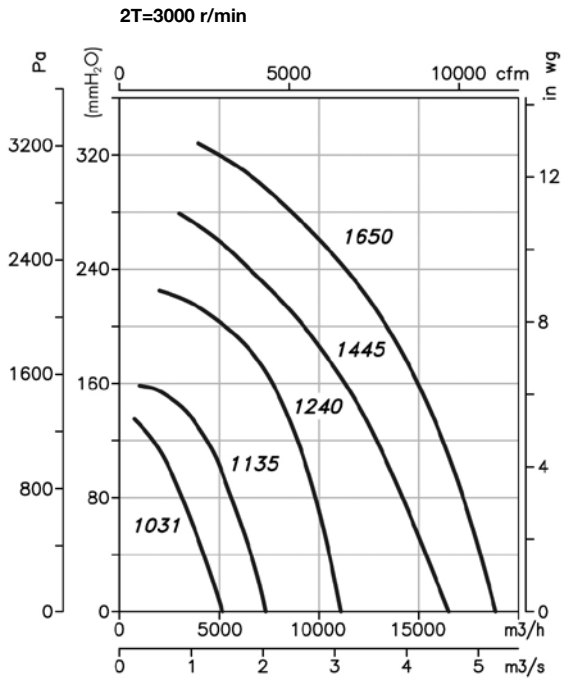
Outlet nozzle



	T	J	J1	J2	S	s	s1	s2	W	Øz
CMR-1031	320	385	75	350	250	100	92.5	285	315	9
CMR-1135	350	425	95	390	280	100	107.5	315	355	9
CMR-1240	395	480	70	440	315	100	77.5	355	400	11
CMR-1445	445	540	99	498	355	100	102.5	403	450	11
CMR-1650	490	590	88	550	400	125	100	450	500	11
CMR-1856	550	660	55	610	450	125	125	500	560	13
CMR-2063	620	750	95	690	500	125	92.5	560	630	13
CMR-2271	690	840	75	775	560	125	62.5	625	710	13
CMR-2380	689	921	135	871	574	200	119	639	808	14

Characteristic curves

Q= Flow rate in m³/h, m³/s and cfm Pe= Static pressure in mm H₂O, Pa and inwg

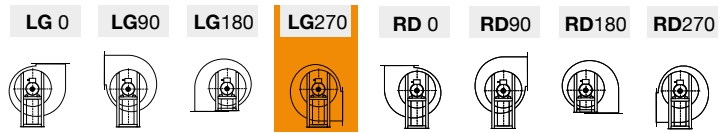


SMALL SERIES

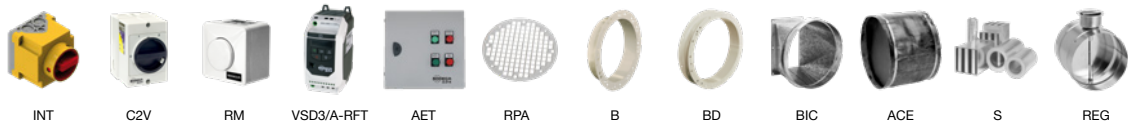
Orientations

Standard supply LG 270

Models 2380, 2590 and 28100 with LG 270 fixed orientation (other orientations only on request)



Accessories



CBP CBPC



CBP: Centrifugal fans of medium pressure and single inlet, equipped with backward curved impeller with self-cleaning effect, specially designed for painting booths

CBPC: Centrifugal fans of medium pressure and single inlet, equipped with backward curved impeller with self-cleaning effect, specially designed for painting booths, with vertical outlet



Fan:

- Sheet steel casing.
- Backward curved impeller made of sheet steel.
- With inspection hatch.
- CBPC: With vertical outlet.

Finishing:

- Anti-corrosive finish in polyester resin, polymerised at 190 °C, after degreasing with phosphate-free nanotechnology treatment.

On request:

- Special windings for different voltages.
- ATEX certified Category 2.

Motor:

- Motors with IE3 efficiency for powers equal to or greater than 0.75kW, except single-phase, 2-speed and 8-pole.
- Class F motors with ball bearings and IP55 protection.
- Three-phase 230/400V 50 Hz (up to 4 kW).
- Maximum temperature of air to be carried: -20 °C +120 °C.



High performance, extremely robust reaction impeller

Order code



CBP: Centrifugal fans of medium pressure and single inlet, equipped with backward curved impeller with self-cleaning effect, specially designed for painting booths.

CBPC: Centrifugal fans of medium pressure and single inlet, equipped with backward curved impeller with self-cleaning effect, specially designed for painting booths, with vertical outlet

Impeller size

Number of motor poles
4=1400 r/min 50 Hz

T=Three-phase

Motor power (HP)

Technical characteristics

Model	Speed (r/min)	Maximum admissible current (A)		Installed power (kW)	Maximum flow rate (m³/h)	Sound pressure level dB(A)	Approx. weight (Kg)		According ErP
		230V	400V				CBP	CBPC	
CBP CBPC 1445-4T IE3	1455	4.07	2.34	1.10	8200	73	66	79	2015
CBP CBPC 1650-4T-2 IE3	1440	5.41	3.11	1.50	11050	76	87	103	2015
CBP CBPC 1650-4T-3 IE3	1435	7.93	4.56	2.20	13500	78	93	101	2015
CBP CBPC 1556-4T IE3	1440	10.70	6.15	3.00	14000	80	127	154	2015
CBP CBPC 1856-4T-4 IE3	1440	10.70	6.15	3.00	16100	80	127	154	2015
CBP CBPC 1856-4T-5.5 IE3	1450	13.90	8.00	4.00	17200	82	130	157	2015



Erp. (Energy Related Products)

Information on Directive 2009/125/EC can be downloaded from the SODECA website or the QuickFan selector programme.

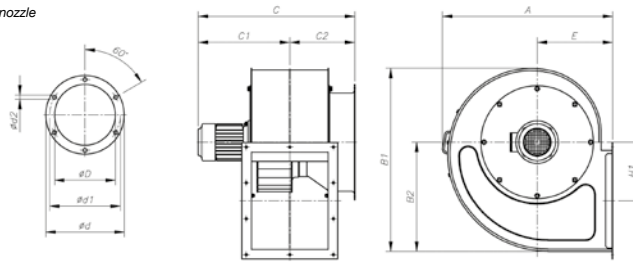
Acoustic characteristics

Model	Sound power spectrum Lw(A) in dB(A) per Hz frequency band																
	63	125	250	500	1000	2000	4000	8000	Model	63	125	250	500	1000	2000	4000	8000
CBP-1445	60	73	79	84	81	84	79	65	CBPC-1445	60	73	79	84	81	84	79	65
CBP-1650	66	76	84	86	85	87	78	68	CBPC-1650	66	76	84	86	85	87	78	68
CBP-1556	68	77	90	86	89	90	84	70	CBPC-1556	68	77	90	86	89	90	84	70
CBP-1856	70	79	92	88	91	92	86	72	CBPC-1856	70	79	92	88	91	92	86	72

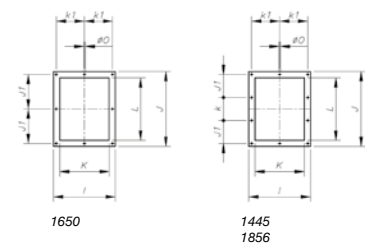
Dimensions mm

CBP

Inlet nozzle

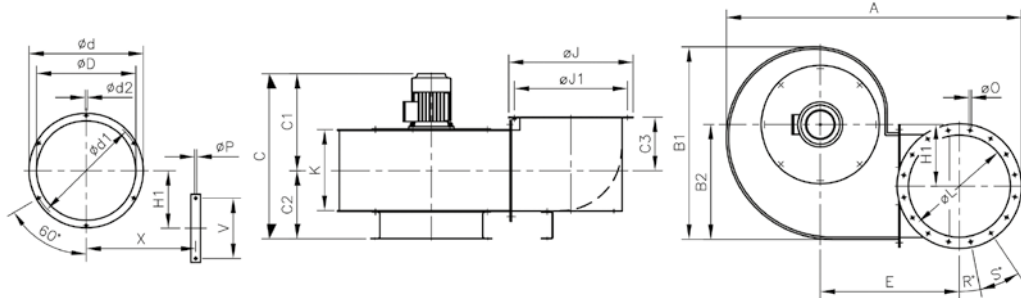


Outlet nozzle



	A	B1	B2	C	C1	C2	øD	ød	ød1	ød2	E	H1	I	J	J1	K	k	k1	L	øO
CBP-1445-4T	789	847	505	777	425	302	450	534	500	12	350	271	445	538	166	355	166	202.5	450	11
CBP-1650-4T-2	856	932	555	902	485	365	512	590	565	12	375	297	490	590	275	400	-	225	500	13
CBP-1650-4T-3	856	932	555	936	485	365	512	590	565	12	375	297	490	590	275	400	-	225	500	13
CBP-1556-4T	947	1041	617	954	567	348	560	634	610	12	415	328	550	660	203	450	203	250	560	13
CBP-1856-4T-4	947	1041	617	945	567	348	560	634	610	12	415	328	550	660	203	450	203	250	560	13
CBP-1856-4T5.5	947	1041	617	928	567	348	560	634	610	12	415	328	550	660	203	450	203	250	560	13

CBPC

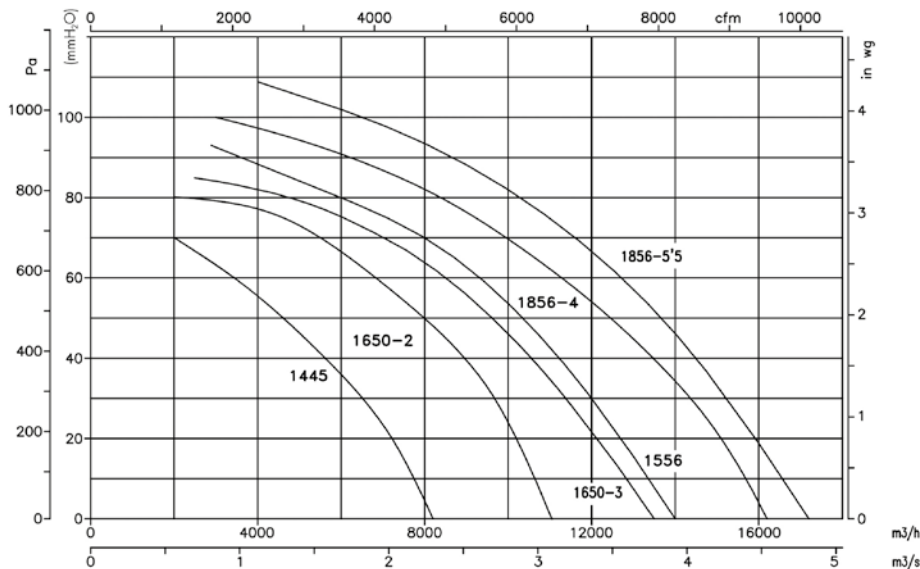


	A	B1	B2	C	C1	C2	C3	øD	ød	ød1	ød2	E	H1	øJ	øJ1	K	øL	øO	R°	S°	øP	V	X
CBPC-1445-4T	1307	847	505	777	477	300	236	450	534	500	12	617	271	550	500	361	450	M8	-	8x45°	11	260	512
CBPC-1650-4T-2	1428	932	555	903	540	363	256	512	590	565	12	672	297	600	560	404	500	M8	15°	12x30°	11	310	567
CBPC-1650-4T-3	1428	932	555	936	573	363	256	512	590	565	12	672	297	600	560	404	500	M8	15°	12x30°	11	310	567
CBPC-1556-4T	1580	1041	617	954	603	351	296	560	634	610	12	732	328	680	629	456	560	M12	11°15'	16x22°30'	11	360	622
CBPC-1856-4T-4	1580	1041	617	945	599	346	296	560	634	610	12	732	328	680	629	456	560	M12	11°15'	16x22°30'	11	360	622
CBPC-1856-4T-5.5	1580	1041	617	928	582	346	296	560	634	610	12	732	328	680	629	456	560	M12	11°15'	16x22°30'	11	360	622

Characteristic curves

Q= Flow rate in m³/h, m³/s and cfm

Pe= Static pressure in mm H₂O, Pa and inwg



Orientations

Standard supply LG 270

LG270

RD270



Accessories



INT

C2V

RM



VSD3/A-RFT

AET

RPA



BIC

CMA



Single inlet medium pressure centrifugal fans with cast aluminum casing and impeller



Fan:

- Cast aluminium casing.
- Cast aluminium impeller.
- Models 324, 325 and 426 impeller in polyamide, model 531-2T-3 impeller in sheet steel.

Motor:

- Motors with IE3 efficiency for powers equal to or greater than 0.75kW, except single-phase, 2-speed and 8-pole.
- Class F motors with ball bearings and IP55 protection except single-phase models with IP54 protection.
- Single-phase 230V 50 Hz and three-phase 230/400V 50 Hz.
- Maximum temperature of air to be carried: -20 °C +120 °C, maximum +70 °C models with polyamide impeller.

Finishing:

- Anti-corrosive finish in polyester resin, polymerised at 190 °C, after degreasing with phosphate-free nanotechnology treatment.

On request:

- Special windings for different voltages.
- Cast aluminium impellers for models 324, 325 and 426.
- Fan prepared to transport air up to +250 °C.
- Category 2 ATEX certification (see CMA/ATEX series).



Different options for impulsion positions

Order code

CMA — **531** — **2T** — **1,5**

CMA: Single inlet medium pressure centrifugal fans with cast aluminum casing and impeller

Impeller size

Number of motor poles
2=2900 r/min 50 Hz

T=Three-phase
M=Single-phase

Motor power (HP)

Technical characteristics

Model	Speed (r/min)	Maximum admissible current (A)		Installed power (kW)	Maximum flow rate m ³ /h	Sound pressure level dB (A)	Approx. weight (Kg)	According ErP
		230V	400V					
CMA-218-2T	2670	0.64	0.37	0.09	265	63	6	Excluded
CMA-218-2M	2760	0.79		0.09	265	63	6	Excluded
CMA-324-2T	2750	1.21	0.70	0.18	440	70	9	2015
CMA-324-2M	2780	1.42		0.18	440	70	9	2015
CMA-325-2T	2710	1.29	0.75	0.25	600	73	11	2015
CMA-325-2M	2780	1.84		0.25	600	73	11	2015
CMA-426-2T	2710	1.92	1.11	0.37	850	75	13	2015
CMA-426-2M	2780	2.53		0.37	850	75	13	2015
CMA-527-2T	2760	2.57	1.49	0.55	1000	80	15	2015
CMA-527-2M	2810	3.49		0.55	1000	80	15	2015
CMA-528-2T-1 IE3	2825	2.80	1.62	0.75	1250	82	29	2015
CMA-528-2M-1	2810	4.50		0.75	1250	82	24	2015
CMA-528-2T-1.5 IE3	2830	4.03	2.34	1.10	1750	83	27	2015
CMA-528-2M-1.5	2820	6.51		1.10	1750	83	26	2015
CMA-531-2T-1.5 IE3	2830	4.03	2.34	1.10	1790	84	30	2015
CMA-531-2M-1.5	2820	6.51		1.10	1790	84	29	2015
CMA-531-2T-2 IE3	2875	5.34	3.07	1.50	2000	85	35	2015
CMA-531-2M-2	2810	8.50		1.50	2000	85	31	2015
CMA-531-2T-3 IE3	2910	7.32	4.21	2.20	2400	86	35	2015
CMA-540-2T IE3	2875	5.34	3.07	1.50	2600	85	42	2015
CMA-545-2T-3 IE3	2910	7.32	4.21	2.20	2630	86	59	2015
CMA-545-2T-4 IE3	2910	10.00	5.77	3.00	3550	88	68	2015

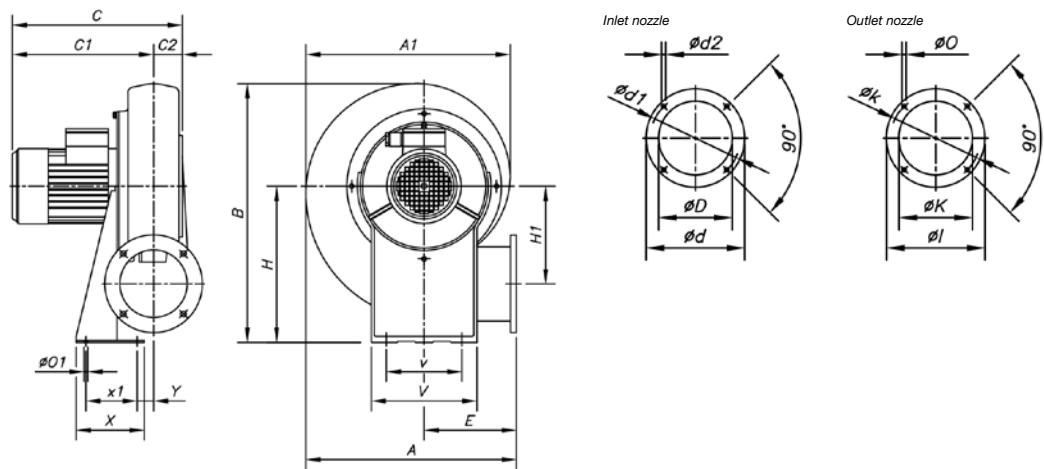
Acoustic characteristics

Sound power spectrum Lw(A) in dB(A) per Hz frequency band

Model	63	125	250	500	1000	2000	4000	8000	Model	63	125	250	500	1000	2000	4000	8000
218	29	43	61	67	71	68	63	54	531-1.5	50	64	82	88	92	89	84	75
324	36	50	68	74	78	75	70	61	531-2	51	65	83	89	93	90	85	76
325	39	53	71	77	81	78	73	64	531-3	52	66	84	90	94	91	86	77
426	41	55	73	79	83	80	75	66	540	54	67	85	91	96	92	87	79
527	46	60	78	84	88	85	80	71	545-3	55	68	86	92	97	93	88	80
528-1	48	62	80	86	90	87	82	73	545-4	57	70	88	94	99	95	90	82
528-1.5	49	63	81	87	91	88	83	74									

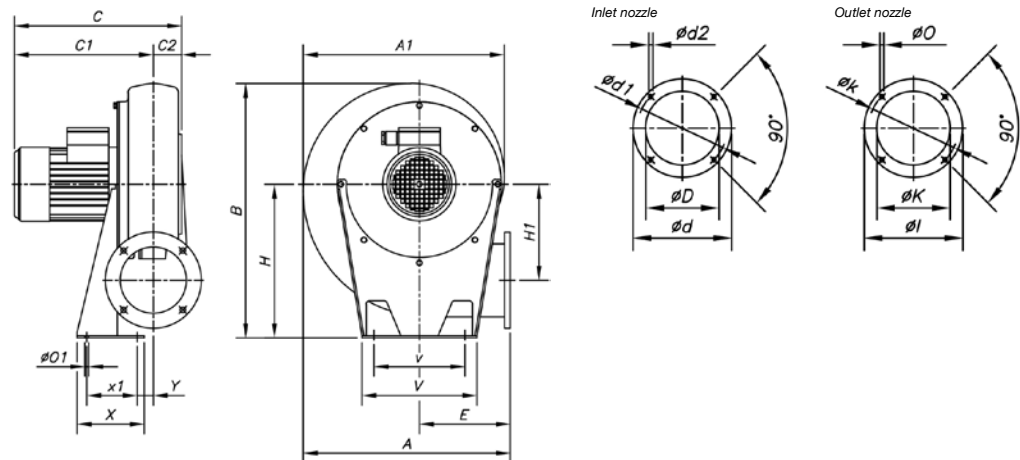
Dimensions mm

CMA-218...528



	A	A1	B	C	C1	C2	ØD	Ød	Ød1	Ød2	E	H	H1	ØI	ØK	ØK	ØO	ØO1	V	v	X	x1	Y
CMA-218	241	236	288	239	207	32	80	113	95	M5	110	170	114.5	90	54	76	5.5	7	140	100	80	50	20
CMA-324	311	302	356	268	230	38	80	130	112	M5	145	205	145	108	62	90	7	9	173	125	90	60	20
CMA-325	335	328	399	271	231	40	94	140	122	M6	155	235	152	120	80	102	7	9	180	145	110	80	20
CMA-426	354	344	412	290	250	40	117	155	132	M6	162	240	163	140	90	119	7	13	210	160	105	65	26
CMA-527	371	361	440	297	255	42	125	170	147	M6	168	260	170	155	100	129	7	13	220	170	120	80	20
CMA-528...1	401	395	488	340	289	51	116	190	162	M6	178	290	177	190	130	160	11	13	230	180	140	100	20
CMA-528...1'5	401	395	488	337	289	48	135	190	162	M6	178	290	177	190	130	160	11	13	230	180	140	100	20

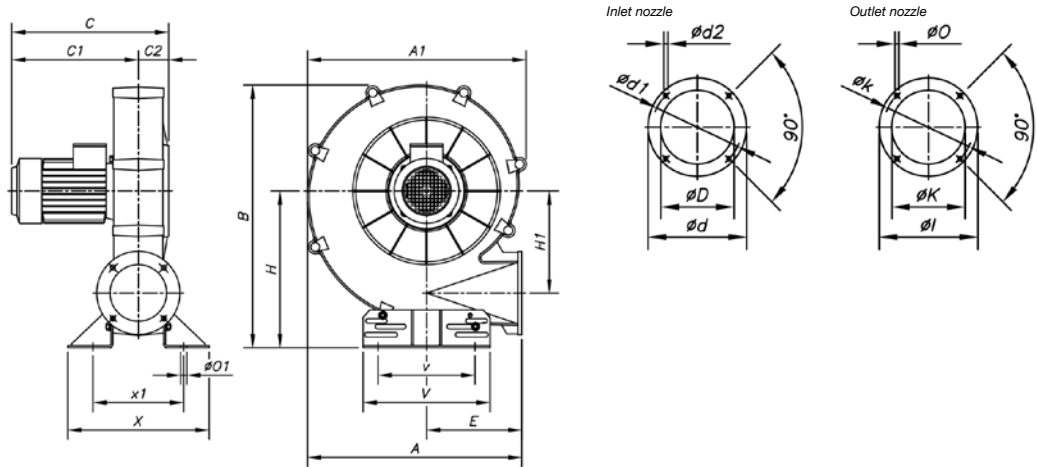
CMA-531



	A	A1	B	C	C1	C2	ØD	Ød	Ød1	Ød2	E	H	H1	ØI	ØK	ØK	ØO	ØO1	V	v	X	x1	Y
CMA-531...1'5	440	434	537	340	290	50	160	215	180	M6	193	320	200	200	140	175	11	13	226	190	160	120	21
CMA-531...2	440	434	537	401	351	50	160	215	180	M6	193	320	200	200	140	175	11	13	226	190	160	120	21
CMA-531...3	440	434	537	401	351	50	160	215	180	M6	193	320	200	200	140	175	11	13	226	190	160	120	21

Dimensions mm

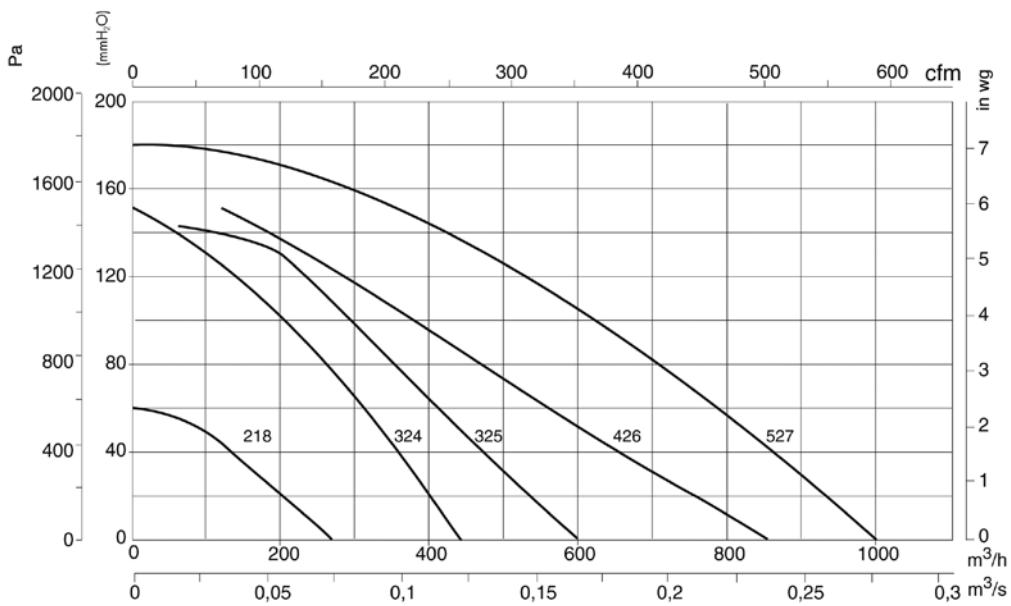
CMA-540...545



	A	A1	B	C	C1	C2	øD	ød	ød1	ød2	E	H	H1	øI	øK	øk	øO	øO1	V	v	X	x1
CMA-540	567	580	695	403	323	80	170	240	205	M10	252	415	270	220	150	190	13	11	336	218	374	240
CMA-545...3	651	646	776	449	334	115	180	255	220	M10	290	450	309	250	175	220	13	13	336	238	392	292
CMA-545...4	651	646	776	468	353	115	180	255	220	M10	290	450	309	250	175	220	13	13	336	238	392	292

Characteristic curves

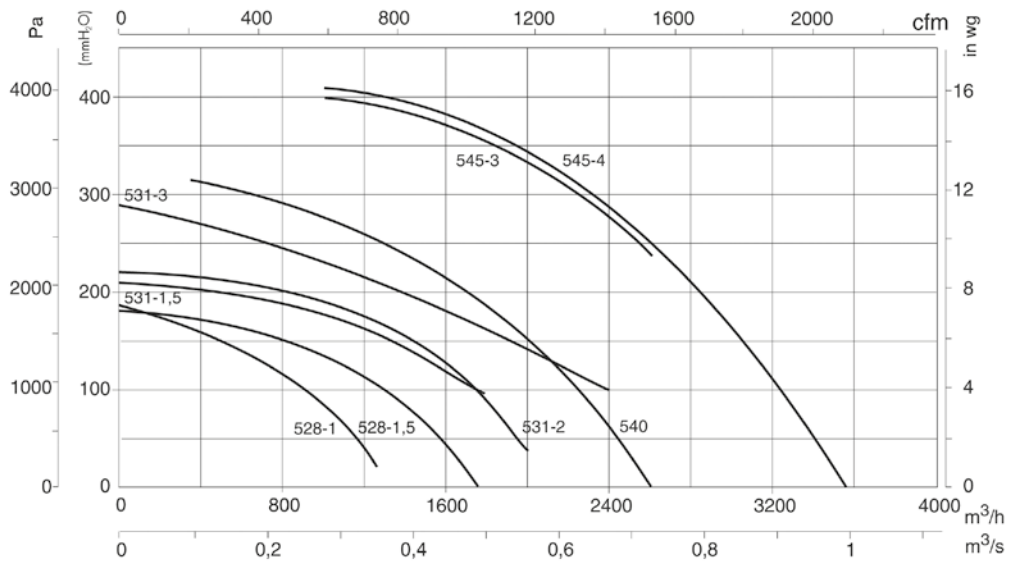
Q= Flow rate in m³/h, m³/s and cfm Pe= Static pressure in mm H₂O, Pa and inwg



SMALL SERIES

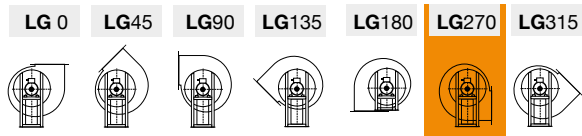
Characteristic curves

Q= Flow rate in m³/h, m³/s and cfm Pe= Static pressure in mm H₂O, Pa and inwg

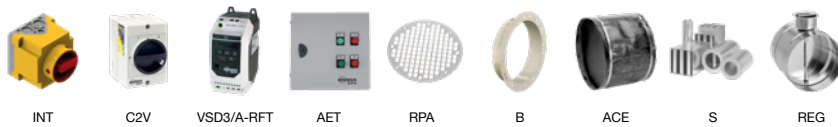


Orientations

Standard supply LG 270
 LG 180 position on request and with special anchoring measurements.



Accessories



CPV



Single inlet anti-corrosive centrifugal fans made of polypropylene



- Fan:
- Polypropylene casing.
 - Forward curved impeller in polypropylene.

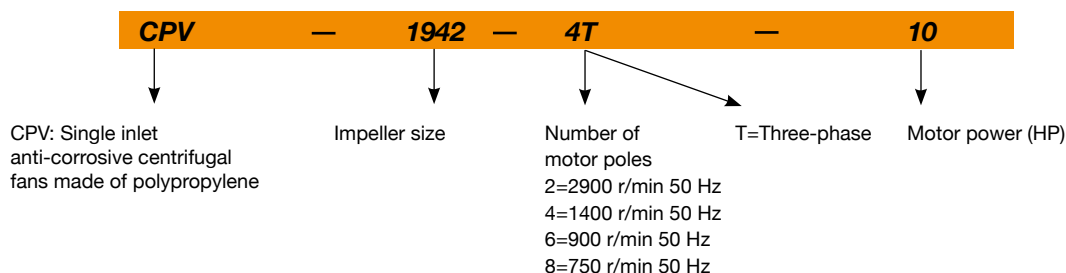
- Motor:
- Motors with IE3 efficiency for powers equal to or greater than 0.75kW, except single-phase, 2-speed and 8-pole.
 - Class F motors with ball bearings and IP55 protection.
 - Three-phase 230/400 V 50 Hz (up to 4 kW) and 400/690 V 50 Hz (powers greater than 4 kW).
 - Maximum temperature of air to be carried: -20 °C +70 °C.

- Finishing:
- Anti-corrosive in plastic material.

- On request:
- Special windings for different voltages.
 - ATEX certified Category 3.



Order code



Technical characteristics

Model	Speed (r/min)	Maximum admissible current (A)			Installed power (kW)	Maximum flow rate (m³/h)	Sound pressure level (dB (A))	Approx. weight (Kg)
		230V	400V	690V				
*CPV-720-2T	2710	1.92	1.11		0.37	525	75	10
CPV-815-2T	2710	1.92	1.11		0.37	950	75	14
CPV-815-4T	1350	1.52	0.88		0.25	450	58	14
*CPV-825-2T IE3	2830	4.03	2.34		1.10	1140	79	18
*CPV-930-2T IE3	2910	7.32	4.21		2.20	1750	84	29
CPV-1020-2T IE3	2825	2.80	1.62		0.75	2000	81	25
CPV-1020-4T	1350	1.52	0.88		0.25	1250	65	20
CPV-1325-2T IE3	2910	7.32	4.21		2.20	3250	87	32
CPV-1325-4T	1370	2.02	1.17		0.37	2300	69	27
CPV-1325-6T	900	1.51	0.87		0.25	1400	59	27
CPV-1630-4T IE3	1440	5.41	3.11		1.50	4500	75	43
CPV-1630-6T	900	2.99	1.73		0.55	2700	63	35
CPV-1840-4T IE3	1440	10.70	6.15		3.00	6000	70	53
CPV-1840-6T IE3	945	4.68	2.69		1.10	4200	65	48
*CPV-1942-4T-7.5 IE3	1465		10.30	5.97	5.50	8500	79	89
*CPV-1942-4T-10 IE3	1465		13.90	8.06	7.50	10500	84	93
*CPV-1942-6T IE3	950	9.08	5.22		2.20	7000	75	53
CPV-2045-4T IE3	1465		13.90	8.06	7.50	10400	78	118

*Only LG admit position

Acoustic characteristics

The indicated values are determined by measuring the sound pressure level and sound power in dB(A) obtained in a free field at a distance equivalent to twice the size of the fan plus the impeller diameter, with a minimum of 1.5 m.

Sound power spectrum Lw(A) in dB(A) per Hz frequency band

Model	63	125	250	500	1000	2000	4000	8000	Model	63	125	250	500	1000	2000	4000	8000
720-2T	56	69	77	81	81	77	73	65	1325-6T	42	55	63	67	68	64	60	51
815-2T	56	69	77	81	81	77	73	65	1630-4T	60	73	81	85	86	82	78	69
815-4T	39	52	60	64	64	60	56	48	1630-6T	48	61	69	73	74	70	66	57
825-2T	60	73	81	85	85	81	77	69	1840-4T	55	68	76	80	81	77	73	64
930-2T	65	78	86	90	90	86	82	74	1840-6T	50	63	71	75	76	72	68	59
1020-2T	62	75	83	87	87	83	79	71	1942-4T-7.5	75	85	87	90	89	89	87	78
1020-4T	46	59	67	71	71	67	63	55	1942-4T-10	80	90	92	95	94	94	92	83
1325-2T	70	83	91	95	96	92	88	79	1942-6T	71	81	83	86	85	85	83	74
1325-4T	52	65	73	77	78	74	70	61	2045-4T	63	76	84	88	89	85	81	72

Dimensions mm

CPV-720...1942

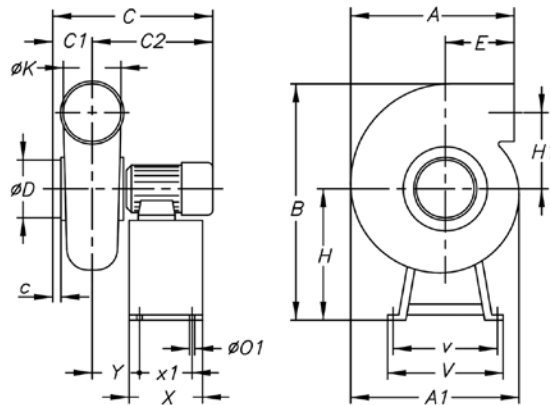


Fig.	A	A1	B	C	C1	C2	c	øD	E	H	H1	øK	øO1	V	v	X	x1	Y	
CPV-720	1	375	-	486	350	80	270	45	90	212	311	130	90	6	340	320	180	160	92
CPV-815	1	307	335	521	360	100	260	30	125	100	281	177.5	125	8	355	335	180	160	90
CPV-825	1	445	-	552	433	110	323	55	125	218	320	170	125	6	340	320	180	160	103
CPV-930	1	540	-	678	477	100	377	40	160	262	390	205	160	6	420	400	240	160	137
CPV-1020-2T	1	340	397	593	445.5	116	329.5	32	160	100	290	223	160	8	355	335	180	160	127.5
CPV-1020-4	1	340	397	584	422.5	116	306.5	32	160	100	281	223	160	8	355	335	180	160	122.5
CPV-1325-2T	1	413	505	735	494	130	364	35	200	103	370	265	200	8	400	380	180	160	125
CPV-1325-4/6T	1	413	505	716	432.5	130	302.5	35	200	103	351	265	200	8	400	380	180	160	113.5
CPV-1630-4T	1	480	602	890	536.5	145	391.5	35	250	117	440	323	250	8	450	430	240	220	142.5
CPV-1630-6T	1	480	602	880	503	145	358	35	250	117	430	323	250	8	450	430	240	220	138
CPV-1942-4T	1	580	750	1170	730.5	210	520.5	60	315	130	600	412.5	315	8	600	564	350	314	181.5
CPV-1942-6/8T	1	580	750	1150	679.5	210	469.5	60	315	130	580	412.5	315	8	600	564	350	314	204

Dimensions mm

CPV-1840...2045

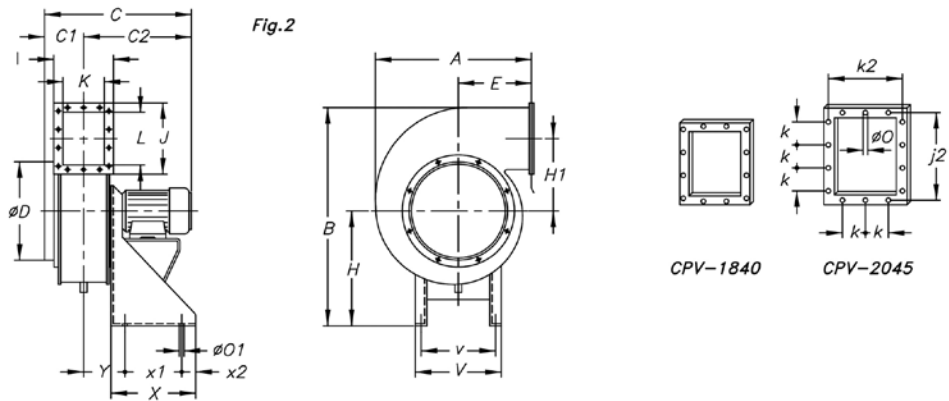


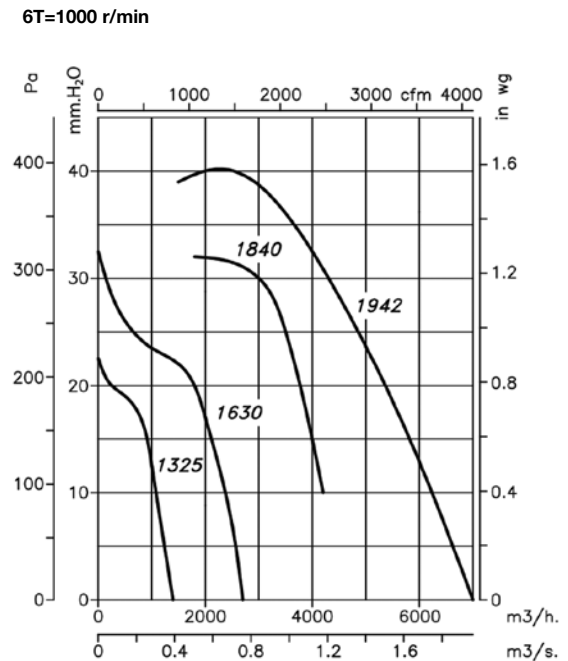
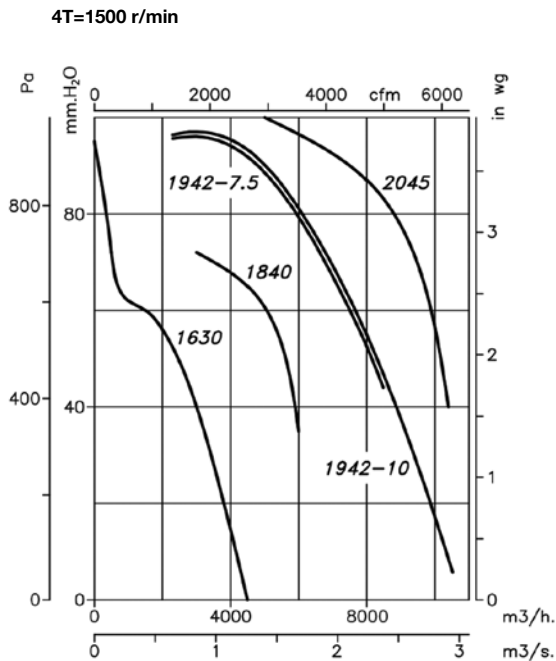
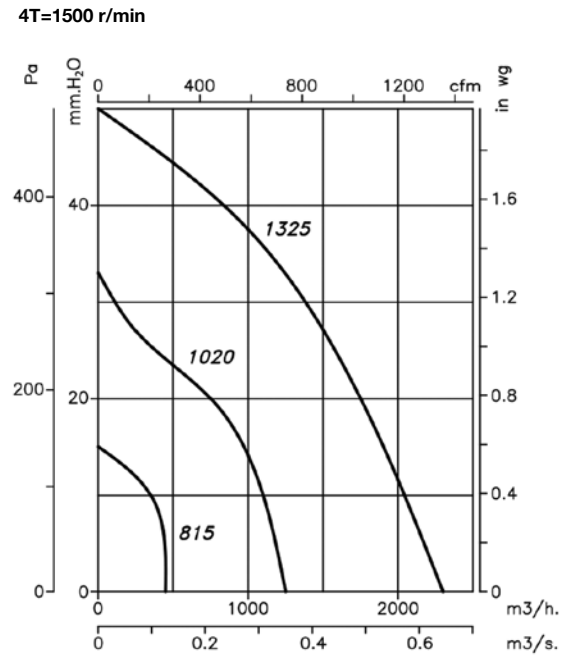
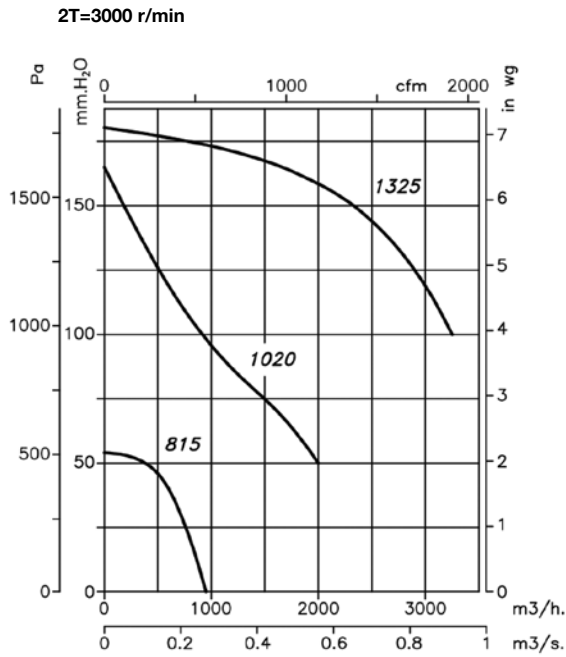
Fig.	A	B	C	C1	C2	øD	E	H	H1	I	J	j2	K	k	k2	L	
CPV-1840-4T	2	628	819	660	210	450	355	275	420	259	305	356	326	225	100	275	280
CPV-1840-6T	2	628	809	630	210	420	355	275	410	259	305	356	326	225	100	275	280
CPV-2045	2	724	1020	810	245	565	400	300	542	310	362	421	381	270	100	322	335

øO	øO1	V	v	X	x1	x2	Y	
CPV-1840-4T	9	12	320	285	300	200	50	170
CPV-1840-6T	9	12	320	285	300	200	50	170
CPV-2045	9	12	350	315	350	250	50	197

Characteristic curves

Q= Flow rate in m³/h, m³/s and cfm

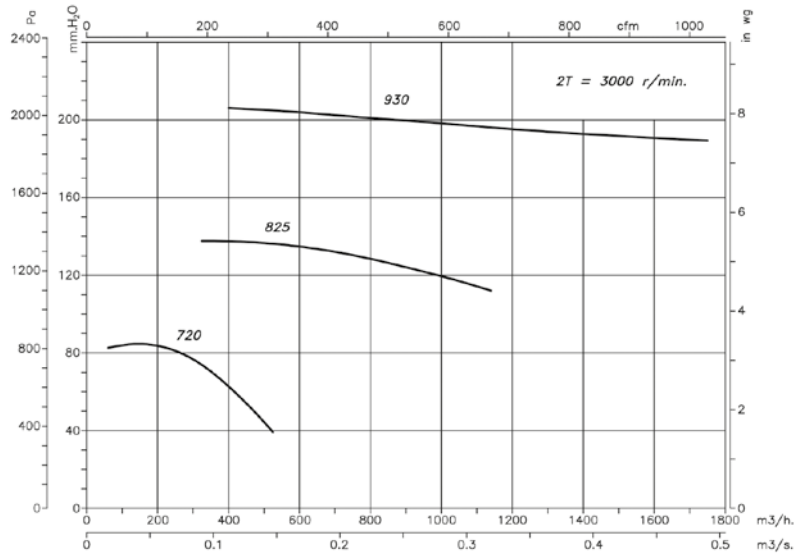
Pe= Static pressure in mm H₂O, Pa and in wg



Characteristic curves

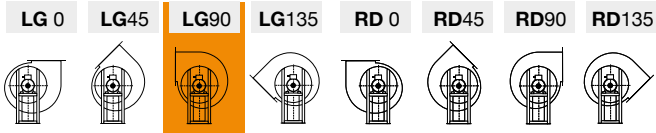
Q= Flow rate in m³/h, m³/s and cfm Pe= Static pressure in mm H₂O, Pa and inwg

2T=3000 r/min



Orientations

Standard supply LG 90



Accessories



SMALL SERIES

CA



Single inlet, high pressure centrifugal fans with cast aluminum casing and impeller



- Fan:**
- Cast aluminium casing.
 - Cast aluminium impeller.

- Motor:**
- Motors with IE3 efficiency for powers equal to or greater than 0.75kW, except single-phase, 2-speed and 8-pole.
 - Class F motors with ball bearings and IP55 protection.
 - Three-phase 230/400 V 50 Hz (up to 4 kW) and 400/690 V 50 Hz (powers greater than 4 kW).
 - Maximum temperature of air to be carried: -20 °C +120 °C.

- Finishing:**
- Anti-corrosive finish in polyester resin, polymerised at 190 °C, after degreasing with phosphate-free nanotechnology treatment.

- On request:**
- Special windings for different voltages.
 - Fan prepared to transport air up to +250 °C.
 - ATEX certified Category 2.



Extremely thick aluminium construction to absorb noise and vibrations

Order code

CA — 148 — 2T — 0,75

CA: Single inlet, high pressure centrifugal fans with cast aluminum casing and impeller

Impeller size

Number of motor poles
2=2900 r/min 50 Hz

T=Three-phase

Motor power (HP)

Technical characteristics

Model	Speed (r/min)	Maximum admissible current (A)			Installed power (kW)	Maximum flow rate (m³/h)	Sound pressure level dB(A)	Approx. weight (Kg)	According ErP
		230V	400V	690V					
CA-234-2T	2710	1.92	1.11		0.37	220	72	10	*
CA-142-2T-0.33	2710	1.29	0.75		0.25	275	73	23	2015
CA-142-2T-0.5	2710	1.92	1.11		0.37	350	73	23	2015
CA-148-2T-0.75	2760	2.57	1.49		0.55	400	74	28	2015
CA-148-2T-1 IE3	2825	2.80	1.62		0.75	490	75	35	2015
CA-148-2T-1.5 IE3	2830	4.03	2.34		1.1	610	76	33	2015
CA-154-2T-2 IE3	2875	5.34	3.07		1.5	800	79	52	2015
CA-154-2T-3 IE3	2910	7.32	4.21		2.2	1280	80	55	2015
CA-160-2T-3 IE3	2910	7.32	4.21		2.2	900	84	63	2015
CA-166-2T-4 IE3	2910	10.00	5.77		3	950	85	77	2015
CA-166-2T-5.5 IE3	2900	13.00	7.50		4	1600	86	85	2015
CA-172-2T-7.5 IE3	2930		10.10	5.86	5.5	1710	88	135	2015
CA-172-2T-10 IE3	2930		14.10	8.17	7.5	2300	89	120	2015

* Equipment not covered by Directive 2009/125/EC

Acoustic characteristics

Sound power spectrum Lw(A) in dB(A) per Hz frequency band.

	63	125	250	500	1000	2000	4000	8000
234	38	51	65	72	80	79	73	64
142	39	52	66	73	81	80	74	65
148-0.75	43	56	70	77	85	83	77	69
148-1	44	57	71	78	86	84	78	70
148-1.5	45	58	72	79	87	85	79	71
154-2	48	61	75	82	90	88	82	74

	63	125	250	500	1000	2000	4000	8000
154-3	49	62	76	83	91	89	83	75
160-3	55	68	82	89	97	95	89	81
166-4	56	69	83	90	98	96	90	82
166-5.5	57	70	84	91	99	97	91	83
172-7.5	60	73	87	94	102	101	95	86
172-10	61	74	88	95	103	102	96	87

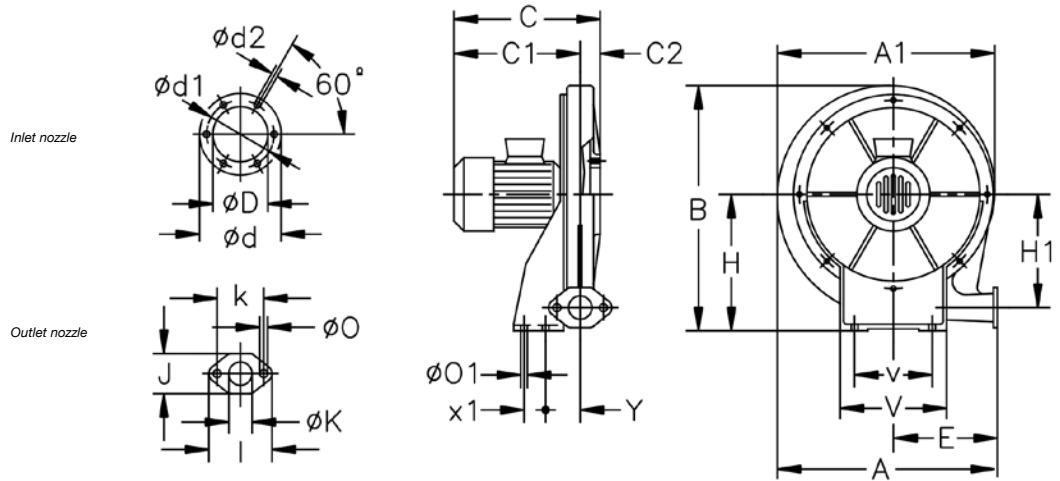


Erp. (Energy Related Products)

Information on Directive 2009/125/EC can be downloaded from the SODECA website or the QuickFan selector programme.

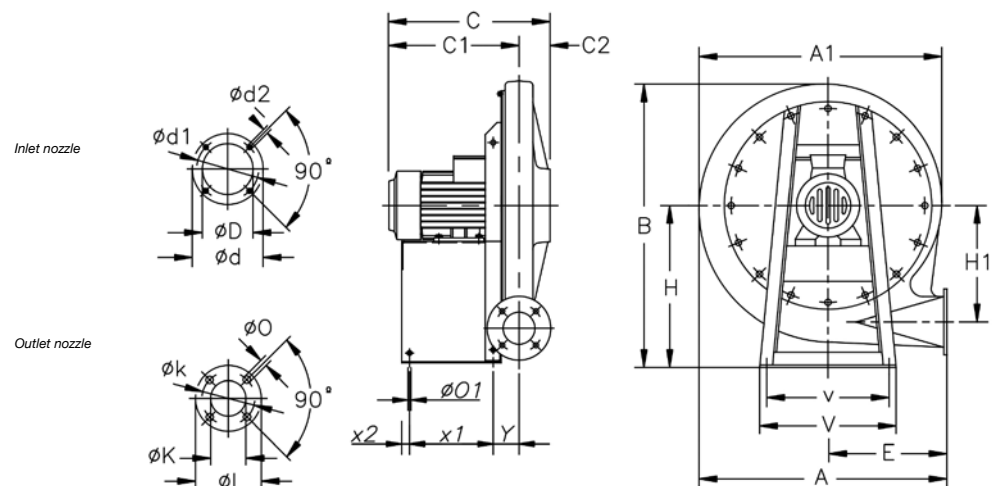
Dimensions mm

CA-234



	A	A1	B	C	C1	C2	øD	ød	ød1	ød2	E	H	H1	I	J	øK	k	øO	øO1	V	v	x1	Y
CA-234-2T-0.33	376	381	415	261	236.5	24.5	98	130	115	M4	175	225	187	98	63	40	78	9	9	180	120	40	94

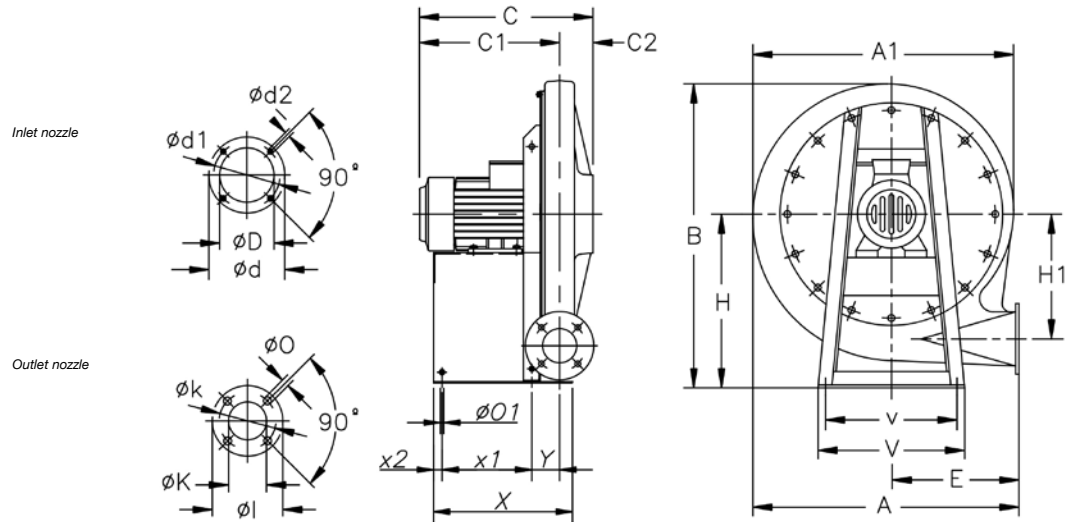
CA-142...148



	A	A1	B	C	C1	C2	øD	ød	ød1	ød2	E	H	H1	øI	øK	øk	øO	øO1	V	v	x1	x2	Y
CA-142-2T-0.33	494	488	540	261	215	46	90	160	130	M8	240	301	235	120	60	90	11	12	300	270	130	20	47.5
CA-142-2T-0.5	494	488	540	291	245	46	90	160	130	M8	240	301	235	120	60	90	11	12	300	270	130	20	47.5
CA-148-2T-0.75	563	557.5	639	308.5	251.5	57	100	170	140	M8	270	360	269.5	150	73	110	11	12	330	290	140	20	60
CA-148-2T-1	563	557.5	639	331	274	57	100	170	140	M8	270	360	269.5	150	73	110	11	12	330	290	140	20	60
CA-148-2T-1.5	563	557.5	639	331	274	57	100	170	140	M8	270	360	269.5	150	73	110	11	12	330	290	140	20	60

Dimensions mm

CA-154...172

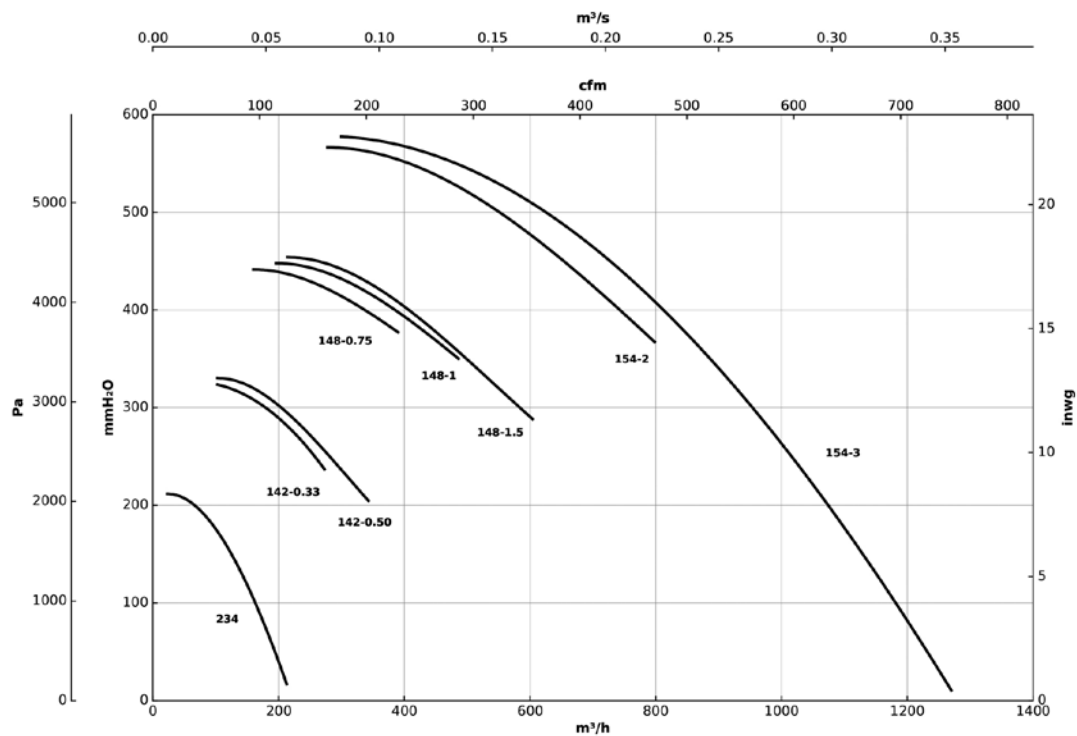


	A	A1	B	C	C1	C2	ϕD	ϕd	$\phi d1$	$\phi d2$	E	H	H1	ϕl	ϕK	ϕk	ϕO	$\phi O1$	V	v	X	x1	x2	Y
CA-154-2T-2	630	625	708	405	327	78	115	182	155	M10	300	395	308	160	80	120	13	12	356	320	325	210	20	65
CA-154-2T-3	630	625	708	396	316.5	78	115	182	155	M10	300	395	308	160	80	120	13	12	356	320	325	210	20	65
CA-160-2T-3	708	699	785	406	316	90	130	230	192	M10	336	440	338	160	85	120	13	12	373	322	344	220	23	68.5
CA-166-2T-4	759	752	866	435	357.5	77.5	140	230	200	M10	364	490	372	160	85	120	13	12	450	400	370	245	23	67.5
CA-166-2T-5.5	759	752	866	458	380	77.5	140	230	200	M10	364	490	372	160	85	120	13	12	450	400	390	265	23	70.5
CA-172-2T-7.5	818	813	923	507	426	80	148	230	200	M10	390	516	404	175	90	140	13	12	450	400	435	300	25	78
CA-172-2T-10	818	813	923	507	426	80	148	230	200	M10	390	516	404	175	90	140	13	12	450	400	435	300	25	78

Characteristic curves

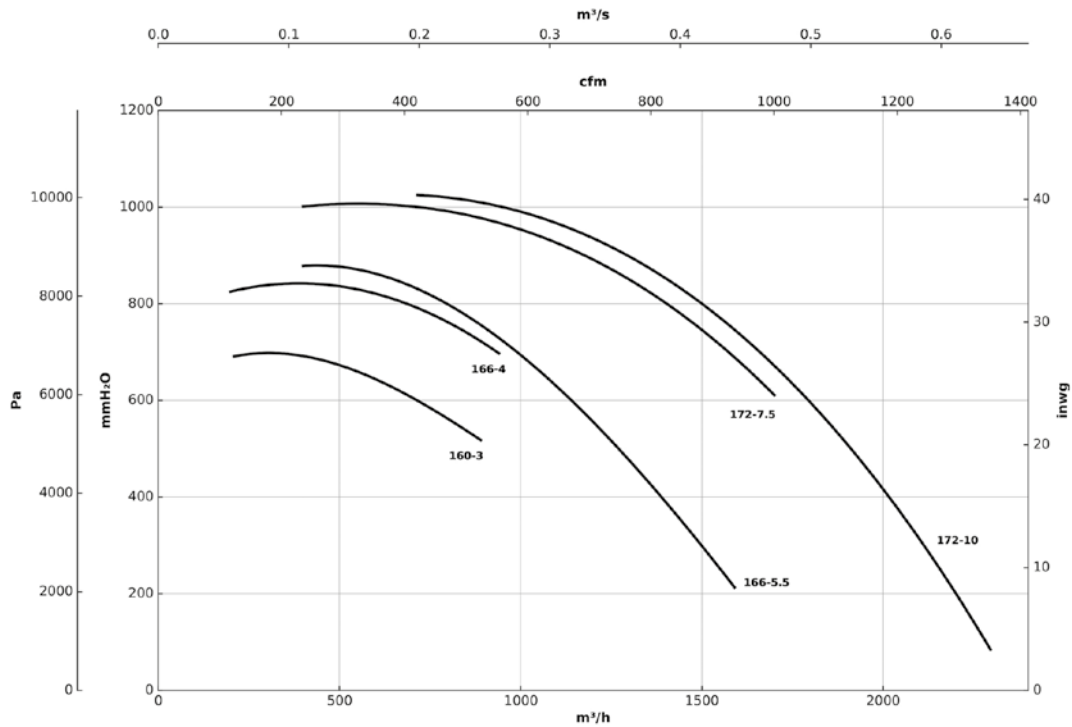
Q= Flow rate in m³/h, m³/s and cfm

Pe= Static pressure in mm H₂O, Pa and inwg



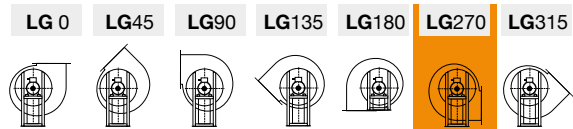
Characteristic curves

Q= Flow rate in m³/h, m³/s and cfm Pe= Static pressure in mm H₂O, Pa and inwg

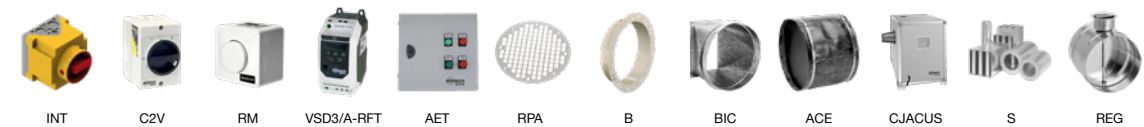


Orientations

Standard supply LG 270
 LG 180 positions on request and with special anchoring measurements.



Accessories



SMALL SERIES

CAS CAS-S

CAS: Single inlet, high pressure centrifugal fans with sheet steel casing and impeller

CAS-S: Single inlet, high pressure centrifugal fans with sheet steel casing and impeller, equipped with acoustic attenuator



Fan:

- Sheet steel casing.
- Backward curved impeller in galvanized sheet steel, except models 242, 248, 254, 260, 640, 645 and 650 in cast aluminum impeller.
- CAS-S: Acoustic attenuator with a hexagonal profile incorporated in the suction inlet of the fan. Its design allows adjusting the air flow at the fan inlet.

Motor:

- Motors with IE3 efficiency for powers equal to or greater than 0.75kW, except single-phase, 2-speed and 8-pole.
- Class F motors with ball bearings and IP55 protection.
- Three-phase 230/400 V 50 Hz (up to 4 kW) and 400/690 V 50 Hz (powers greater than 4 kW).
- Maximum temperature of air to be carried: -20 °C +120 °C.

Finishing:

- Anti-corrosive finish in polyester resin, polymerised at 190 °C, after degreasing with phosphate-free nanotechnology treatment.

On request:

- Special windings for different voltages.
- Fan prepared to transport air up to +250 °C.
- Stainless steel fan.
- ATEX certified Category 2.



Extremely robust motor support bench

Order code

CAS — 460 — 2T — 7,5

CAS: Single inlet, high pressure centrifugal fans with sheet steel casing and impeller

Impeller size

Number of motor poles

T=Three-phase

Motor power (HP)

CAS-S: Single inlet, high pressure centrifugal fans with sheet steel casing and impeller, equipped with acoustic attenuator

Technical characteristics

Model	Speed (r/min)	Maximum admissible current (A)			Installed power (kW)	Maximum flow rate (m³/h)	Sound pressure level dB(A)		Approx. weight (Kg)		According ErP
		230V	400V	690V			CAS	CAS-S	CAS	CAS-S	
CAS CAS-S 242-2T-0.33	2710	1.29	0.75	0.25	450	73	67	30	33	2015	
CAS CAS-S 242-2T-0.5	2710	1.92	1.11	0.37	650	73	67	31	34	2015	
CAS CAS-S 248-2T-1 IE3	2825	2.80	1.62	0.75	500	75	69	50	53	2015	
CAS CAS-S 248-2T-1.5 IE3	2830	4.03	2.34	1.1	990	76	70	48	51	2015	
CAS CAS-S 254-2T-2 IE3	2875	5.34	3.07	1.5	800	78	72	65	68	2015	
CAS CAS-S 254-2T-3 IE3	2910	7.32	4.21	2.2	1300	80	73	68	71	2015	

Technical characteristics

Model	Speed (r/min)	Maximum admissible current (A)			Installed power (kW)	Maximum flow rate (m³/h)	Sound pressure level dB(A)		Approx. weight (Kg)		According ErP
		230V	400V	690V			CAS	CAS-S	CAS	CAS-S	
CAS CAS-S 242-2T-0.33	2710	1.29	0.75		0.25	450	73	67	30	33	2015
CAS CAS-S 242-2T-0.5	2710	1.92	1.11		0.37	650	73	67	31	34	2015
CAS CAS-S 248-2T-1 IE3	2825	2.80	1.62		0.75	500	75	69	50	53	2015
CAS CAS-S 248-2T-1.5 IE3	2830	4.03	2.34		1.1	990	76	70	48	51	2015
CAS CAS-S 254-2T-2 IE3	2875	5.34	3.07		1.5	800	78	72	65	68	2015
CAS CAS-S 254-2T-3 IE3	2910	7.32	4.21		2.2	1300	80	73	68	71	2015
CAS CAS-S 260-2T-3 IE3	2910	7.32	4.21		2.2	900	79	72	83	88	2015
CAS CAS-S 463-2T-5.5 IE3	2900	13.00	7.50		4	1150	82	75	98	103	2015
CAS CAS-S 463-2T-7.5 IE3	2930		10.10	5.86	5.5	2000	83	76	119	124	2015
CAS CAS-S 467-2T-7.5 IE3	2930		10.10	5.86	5.5	1550	84	77	141	146	2015
CAS CAS-S 467-2T-10 IE3	2930		14.10	8.17	7.5	2600	85	78	119	124	2015
CAS CAS-S 571-2T-10 IE3	2930		14.10	8.17	7.5	2000	86	78	140	145	2015
CAS CAS-S 571-2T-15 IE3	2945		20.00	11.60	11	3450	87	79	207	212	2015
CAS CAS-S 640-2T-2 IE3	2875	5.34	3.07		1.5	2600	77	71	55	60	2015
CAS CAS-S 645-2T-3 IE3	2910	7.32	4.21		2.2	2000	76	70	67	75	2015
CAS CAS-S 645-2T-4 IE3	2910	10.00	5.77		3	3000	81	74	73	81	2015
CAS CAS-S 650-2T-5.5 IE3	2900	13.00	7.50		4	3500	81	74	98	106	2015
CAS CAS-S 650-2T-7.5 IE3	2930		10.10	5.86	5.5	4750	83	76	119	127	2015
CAS CAS-S 852-2T-7.5 IE3	2930		10.10	5.86	5.5	3500	81	74	119	127	2015
CAS CAS-S 852-2T-10 IE3	2930		14.10	8.17	7.5	5500	85	78	97	105	2015
CAS CAS-S 856-2T-15 IE3	2945		20.00	11.60	11	7500	85	78	190	200	2015
CAS CAS-S 863-2T-15 IE3	2945		20.00	11.60	11	4000	84	77	200	210	2015
CAS CAS-S 863-2T-20 IE3	2945		27.70	16.10	15	7000	86	78	203	213	2015
CAS CAS-S 971-2T-30 IE3	2950		39.70	23.00	22	8100	88	80	324	334	2015
CAS CAS-S 971-2T-40 IE3	2960		54.50	31.60	30	12000	89	81	410	420	2015
CAS CAS-S 790-2T-20 IE3	2945		27.70	16.10	15	2100	88	80	269	274	Excluded
CAS CAS-S 980-2T-30 IE3	2950		39.70	23.00	22	4800	87	79	340	355	2015
CAS CAS-S 990-2T-50 IE3	2960		67.80	39.30	37	6000	90	82	480	495	Excluded
CAS CAS-S 1080-2T-40 IE3	2960		54.50	31.60	30	5400	88	80	450	465	Excluded
CAS CAS-S 1090-2T-60 IE3	2960		77.50	44.90	45	6000	91	83	620	635	Excluded

* Equipment not covered by Directive 2009/125/EC



Erp. (Energy Related Products)

Information on Directive 2009/125/EC can be downloaded from the SODECA website or the QuickFan selector programme.

Acoustic characteristics

Sound power spectrum Lw(A) in dB(A) per Hz frequency band.

CAS

	63	125	250	500	1000	2000	4000	8000
242	50	61	67	76	83	82	79	72
248-1	52	63	69	78	85	84	81	74
248-1.5	53	64	70	79	86	85	82	75
254-2	57	68	73	83	90	89	86	79
254-3	56	68	76	85	90	92	89	82
260-3	55	71	71	85	90	90	87	80
463-5.5	57	69	82	91	93	93	89	80
463-7.5	58	70	83	92	94	94	90	81
467-7.5	69	74	83	95	95	97	93	85
467-10	70	75	84	96	96	98	94	86
571-10	64	76	86	96	99	99	94	86
571-15	65	77	87	97	100	100	95	87
640	56	67	75	82	88	84	83	76
645-3	55	66	74	81	87	83	82	75
645-4	55	66	77	86	90	91	87	79

	63	125	250	500	1000	2000	4000	8000
650-5.5	59	75	84	90	93	90	85	78
650-7.5	52	68	81	91	96	93	85	78
852-7.5	68	72	82	88	92	92	89	84
852-10	68	76	86	93	96	96	92	84
856	63	76	90	96	96	94	90	84
863-15	67	81	87	96	96	95	92	87
863-20	69	81	92	99	98	95	93	87
971-30	68	82	91	103	99	97	94	90
971-40	68	83	97	102	102	99	95	88
790	73	77	88	99	105	96	89	83
980	61	70	76	91	105	97	94	90
990	64	73	79	94	108	100	97	93
1080	62	71	77	92	106	98	95	91
1090	65	77	80	95	109	101	98	94

CAS-S

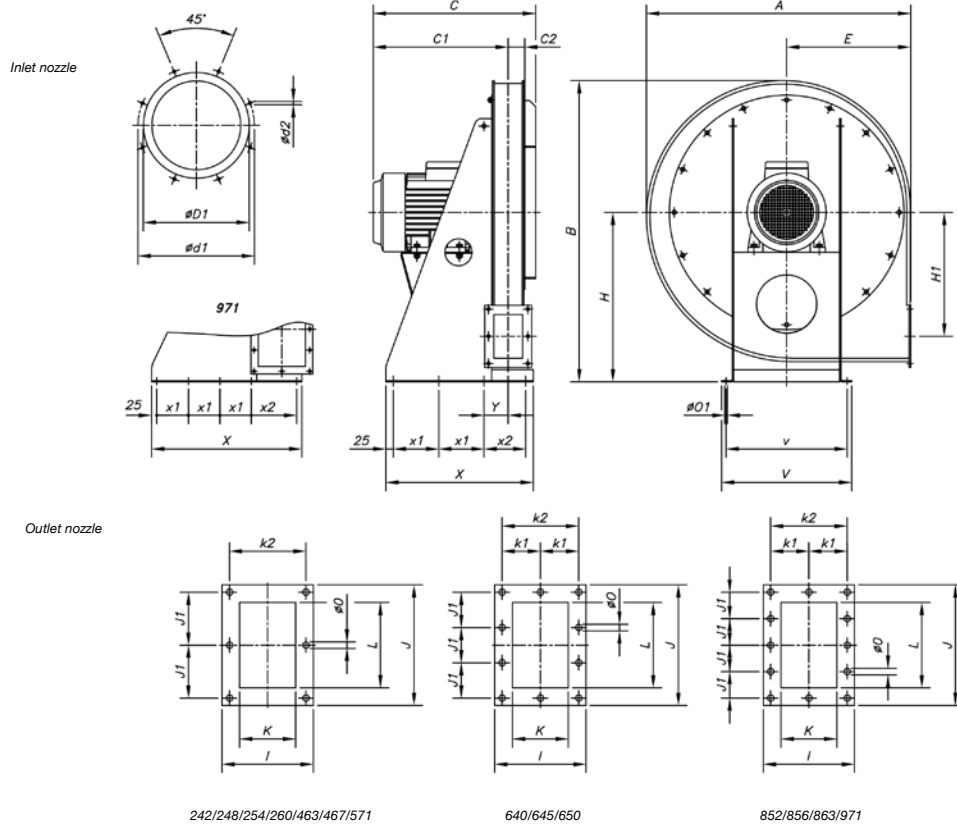
Sound power spectrum Lw(A) in dB(A) per Hz frequency band.

	63	125	250	500	1000	2000	4000	8000
242	44	55	61	70	77	76	73	66
248-1	46	57	63	72	79	78	75	68
248-1.5	47	58	64	73	80	79	76	69
254-2	51	62	67	77	84	83	80	73
254-3	49	61	69	78	83	85	82	75
260-3	48	64	64	78	83	83	80	73
463-5.5	50	62	75	84	86	86	82	73
463-7.5	51	63	76	85	87	87	83	74
467-7.5	62	67	76	88	88	90	86	78
467-10	63	68	77	89	89	91	87	79
571-10	56	68	78	88	91	91	86	78
571-15	57	69	79	89	92	92	87	79
640	50	61	69	76	82	78	77	70
645-3	49	60	68	75	81	77	76	69
645-4	48	59	70	79	83	84	80	72

	63	125	250	500	1000	2000	4000	8000
650-5.5	52	68	77	83	86	83	78	71
650-7.5	45	61	74	84	89	86	78	71
852-7.5	61	65	75	81	85	85	82	77
852-10	61	69	79	86	89	89	85	77
856	56	69	83	89	89	87	83	77
863-15	60	74	80	89	89	88	85	80
863-20	61	73	84	91	90	87	85	79
971-30	60	74	83	95	91	89	86	82
971-40	60	75	89	94	94	91	87	80
790	65	69	80	91	97	88	81	75
980	53	62	68	83	97	89	86	82
990	56	65	71	86	100	92	89	85
1080	54	63	69	84	98	90	87	83
1090	57	66	72	87	101	93	90	86

Dimensions mm

CAS-242...971

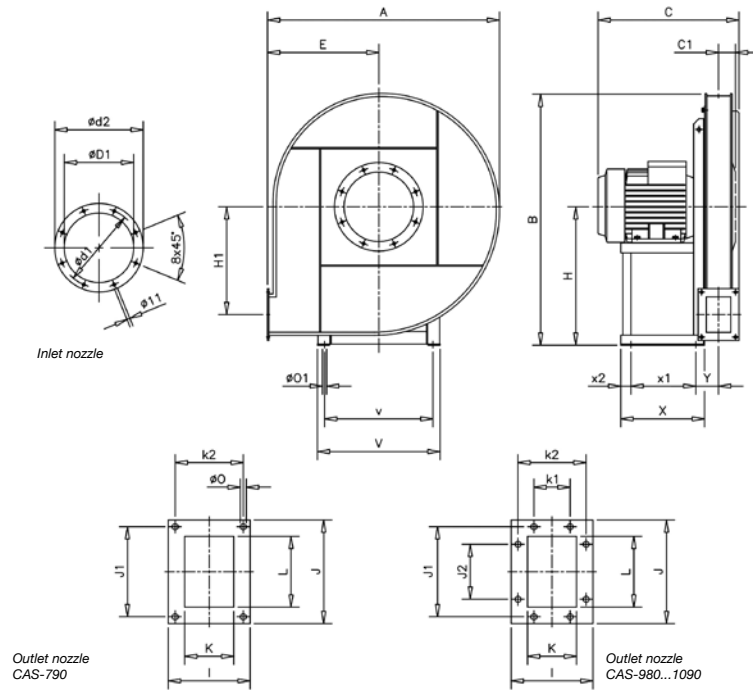


	A	B	C	C1	C2	$\phi D1$	$\phi d1$	$\phi d2$	E	H	H1	I	J	J1	K	k1	k2	L	ϕO	$\phi O1$	V	v	X	x1	x2	Y
CAS-242-2T-0.33	576	662	299	236	33	100	130	M8	270	375	270	120	155	65	60	-	95	95	11	12	305	275	260	75	-	61
CAS-242-2T-0.5	576	662	319	256	33	100	130	M8	270	375	270	120	155	65	60	-	95	95	11	12	305	275	260	75	-	61
CAS-248-2T-1/1.5	639	728	343	277	36	112	140	M8	300	410	297	126	165	70	66	-	101	105	11	12	320	290	300	90	-	64
CAS-254-2T-2	699	788	413	342.5	40.5	125	155	M8	330	440	322	135	175	75	75	-	110	115	11	14	340	310	330	100	-	68.5
CAS-254-2T-3	699	788	413	342.5	40.5	125	155	M8	330	440	322	135	175	75	75	-	110	115	11	14	340	310	330	100	-	68.5
CAS-260-2T-3	782	875	419	343	46	150	175	M8	370	485	362	145	185	80	85	-	120	125	11	14	380	350	370	115	-	73.5
CAS-463-2T-5.5	782	875	459	383.5	45.5	200	240	M8	370	485	362	145	185	80	85	-	120	125	11	14	380	350	370	115	-	73.5
CAS-463-2T-7.5	782	875	517	441.5	45.5	200	240	M8	370	485	362	145	185	80	85	-	120	125	11	14	380	350	370	115	-	73.5
CAS-467-2T-7.5/10	833	945	524	436	48	224	258	M8	390	530	395	150	190	82.5	90	-	125	130	11	14	405	375	300	125	-	76
CAS-571-2T-10	873	995	536	445.5	50.5	250	275	M8	410	560	410	155	205	90	95	-	130	145	11	14	430	400	350	150	-	79.5
CAS-571-2T-15	873	995	693	602.5	50.5	250	275	M8	410	560	410	155	205	90	95	-	130	145	11	14	430	400	410	180	-	79.5
CAS-640-2T-2	639	728	446	350.5	65.5	250	275	M8	300	410	250	185	260	78	125	80	160	200	11	14	340	310	350	100	-	93.5
CAS-645-2T-3	699	788	461	358	73	250	275	M8	330	440	267.5	200	284	86	140	87.5	175	224	11	14	380	350	380	115	-	101
CAS-645-2T-4	699	788	503	400	73	250	275	M8	330	440	267.5	200	284	86	140	87.5	175	224	11	14	380	350	380	115	-	101
CAS-650-2T-5.5	782	875	534	421	83	250	275	M8	370	485	300	220	310	95	160	97.5	195	250	11	14	405	375	490	125	190	111
CAS-650-2T-7.5	782	875	572	459	83	250	275	M8	370	485	300	220	310	95	160	97.5	195	250	11	14	405	375	490	125	190	111
CAS-852-2T-7.5/10	833	945	603	468.5	94.5	280	310	M8	390	530	320	240	340	78	180	107.5	215	280	11	14	430	400	540	150	190	122
CAS-856-2T-15	833	945	730	597	93	355	395	M8	390	530	320	240	340	78	180	107.5	215	280	11	14	430	400	600	180	190	122
CAS-863-2T-15/20	873	995	728	585	103	355	410	M8	410	560	325	260	375	87.5	200	117.5	235	315	11	14	430	400	620	180	210	132
CAS-971-2T-30	1012	1170	881	720	116	400	450	M10	460	670	420	294	425	100	224	132	264	355	11	14	550	510	715	150	215	145
CAS-971-2T-40	1012	1170	948	787	116	400	450	M10	460	670	420	294	425	100	224	132	264	355	11	14	550	510	715	150	215	145

SMALL SERIES

Dimensions mm

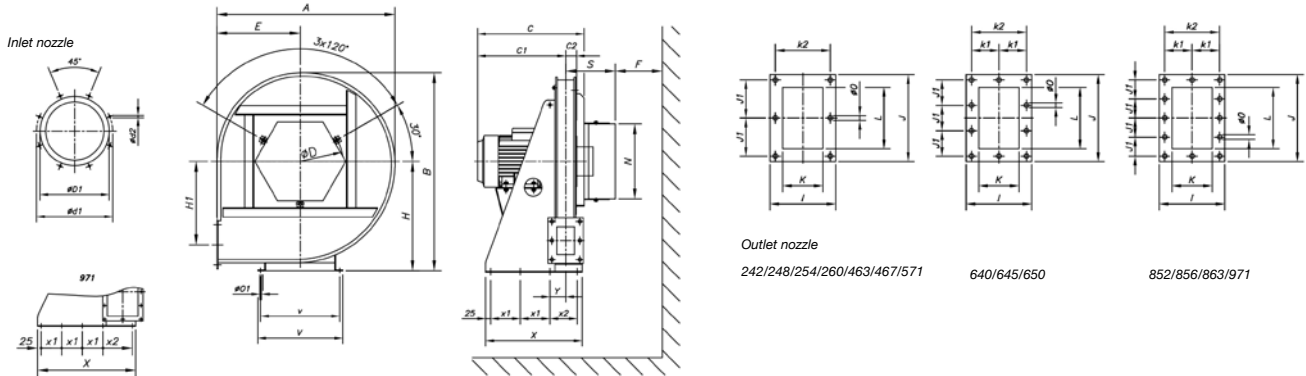
CAS-790...1090



	A	B	C	C1	$\phi D1$	$\phi d1$	$\phi d2$	E	H	H1	I	J	J1	J2	K	k1	k2	L	ϕO	$\phi O1$	V	v	X	x1	x2	Y
CAS-790-2T-20	1095	1175	680	56	185	219	255	530	630	520	140	172	140	-	80	-	112	112	9	14	440	400	425	340	30	103
CAS-980-2T-30	1120	1250	740	90	255	292	325	530	710	530	210	270	241	112	140	112	182	200	11.5	14	500	450	470	370	35	143
CAS-990-2T-50	1270	1410	840	100	286	332	366	600	800	600	230	294	265	112	160	112	200	224	11.5	16	570	510	500	385	40	165
CAS-1080-2T-40	1120	1250	815	90	255	292	325	530	710	530	210	270	241	112	140	112	182	200	11.5	16	570	510	500	385	40	153
CAS-1090-2T-60	1270	1410	920	100	286	332	366	600	800	600	230	294	265	112	160	112	200	224	11.5	19	626	565	550	425	40	175

Dimensions mm

CAS-S-242...971



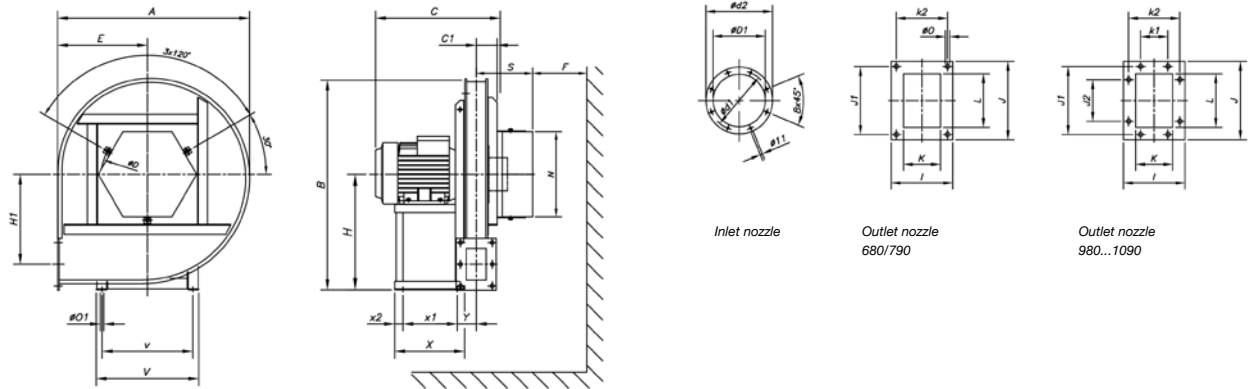
	A	B	C	C1	C2	øD1	øD2	øD	N	S	F	E	H	H1	I	
CAS-S-242-2T-0.33	576	662	299	236	33	100	130	M8	276	255	170	150	270	375	270	120
CAS-S-242-2T-0.5	576	662	319	256	33	100	130	M8	276	255	170	150	270	375	270	120
CAS-S-248-2T-1/1.5	639	728	343	277	36	112	140	M8	276	255	218	150	300	410	297	126
CAS-S-254-2T-2	699	788	413	342.5	40.5	125	155	M8	276	255	225	150	330	440	322	135
CAS-S-254-2T-3	699	788	413	342.5	40.5	125	155	M8	276	255	225	150	330	440	322	135
CAS-S-260-2T-3	782	875	419	343	46	150	175	M8	371	350	230	150	370	485	362	145
CAS-S-463-2T-5.5	782	875	459	383.5	45.5	200	240	M8	371	350	230	150	370	485	362	145
CAS-S-463-2T-7.5	782	875	517	441.5	45.5	200	240	M8	371	350	230	150	370	485	362	145
CAS-S-467-2T-7.5/10	833	945	524	436	48	224	258	M8	371	350	235	150	390	530	395	150
CAS-S-571-2T-10	873	995	536	445.5	50.5	250	275	M8	371	350	240	150	410	560	410	155
CAS-S-571-2T-15	873	995	693	602.5	50.5	250	275	M8	371	350	240	150	410	560	410	155
CAS-S-640-2T-2	639	728	446	350.5	65.5	250	275	M8	371	350	255	150	300	410	250	185
CAS-S-645-2T-3	699	788	461	358	73	250	275	M8	581	560	260	200	330	440	267.5	200
CAS-S-645-2T-4	699	788	503	400	73	250	275	M8	581	560	260	200	330	440	267.5	200
CAS-S-650-2T-5.5	782	875	534	421	83	250	275	M8	661	560	270	200	370	485	300	220
CAS-S-650-2T-7.5	782	875	572	459	83	250	275	M8	661	560	270	200	370	485	300	220
CAS-S-852-2T-7.5/10	833	945	603	468.5	94.5	280	310	M8	661	560	280	200	390	530	320	240
CAS-S-856-2T-15	833	945	730	597	93	355	395	M8	683	655	280	200	390	530	320	240
CAS-S-863-2T-15/20	873	995	728	585	103	355	410	M8	758	655	290	200	410	560	325	260
CAS-S-971-2T-30	1012	1170	881	720	116	400	450	M10	759	655	305	200	460	670	420	294
CAS-S-971-2T-40	1012	1170	948	787	116	400	450	M10	759	655	305	200	460	670	420	294

	J	J1	K	k1	k2	L	øO	øO1	V	v	X	x1	x2	Y
CAS-S-242-2T-0.33	155	65	60	-	95	95	11	12	305	275	260	75	-	61
CAS-S-242-2T-0.5	155	65	60	-	95	95	11	12	305	275	260	75	-	61
CAS-S-248-2T-1/1.5	165	70	66	-	101	105	11	12	320	290	300	90	-	64
CAS-S-254-2T-2	175	75	75	-	110	115	11	14	340	310	330	100	-	68.5
CAS-S-254-2T-3	175	75	75	-	110	115	11	14	340	310	330	100	-	68.5
CAS-S-260-2T-3	185	80	85	-	120	125	11	14	380	350	370	115	-	73.5
CAS-S-463-2T-5.5	185	80	85	-	120	125	11	14	380	350	370	115	-	73.5
CAS-S-463-2T-7.5	185	80	85	-	120	125	11	14	380	350	370	115	-	73.5
CAS-S-467-2T-7.5/10	190	82.5	90	-	125	130	11	14	405	375	300	125	-	76
CAS-S-571-2T-10	205	90	95	-	130	145	11	14	430	400	350	150	-	79.5
CAS-S-571-2T-15	205	90	95	-	130	145	11	14	430	400	410	180	-	79.5
CAS-S-640-2T-2	260	78	125	80	160	200	11	14	340	310	350	100	-	93.5
CAS-S-645-2T-3	284	86	140	87.5	175	224	11	14	380	350	380	115	-	101
CAS-S-645-2T-4	284	86	140	87.5	175	224	11	14	380	350	380	115	-	101
CAS-S-650-2T-5.5	310	95	160	97.5	195	250	11	14	405	375	490	125	190	111
CAS-S-650-2T-7.5	310	95	160	97.5	195	250	11	14	405	375	490	125	190	111
CAS-S-852-2T-7.5/10	340	78	180	107.5	215	280	11	14	430	400	540	150	190	122
CAS-S-856-2T-15	340	78	180	107.5	215	280	11	14	430	400	600	180	190	122
CAS-S-863-2T-15/20	375	87.5	200	117.5	235	315	11	14	430	400	620	180	210	132
CAS-S-971-2T-30	425	100	224	132	264	355	11	14	550	510	715	150	215	145
CAS-S-971-2T-40	425	100	224	132	264	355	11	14	550	510	715	150	215	145

SMALL SERIES

Dimensions mm

CAS-S-790...1090

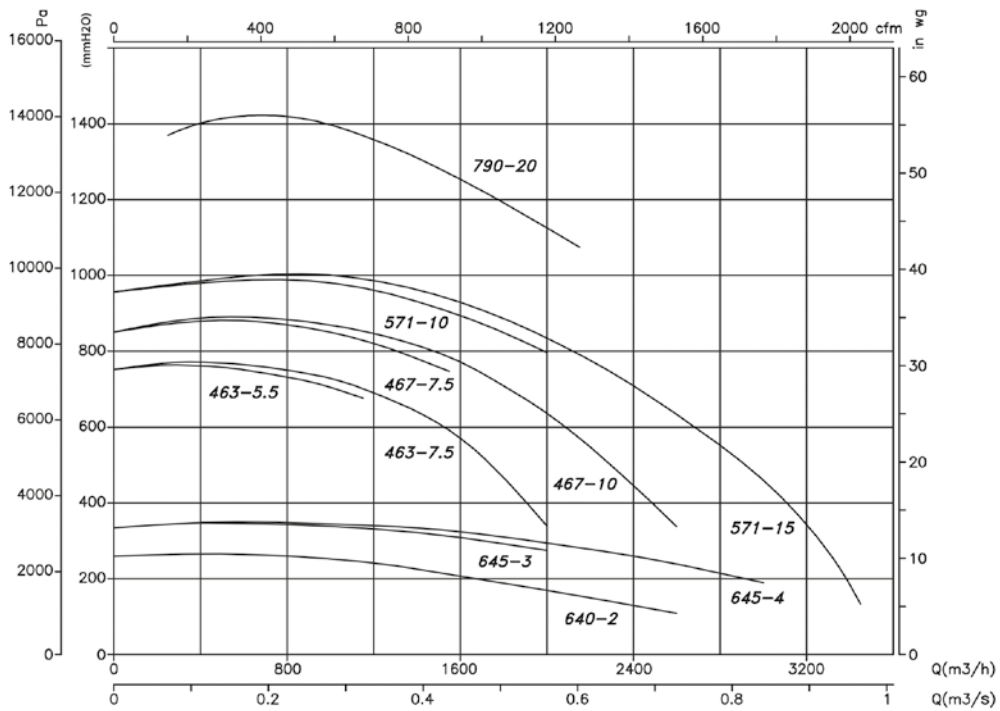
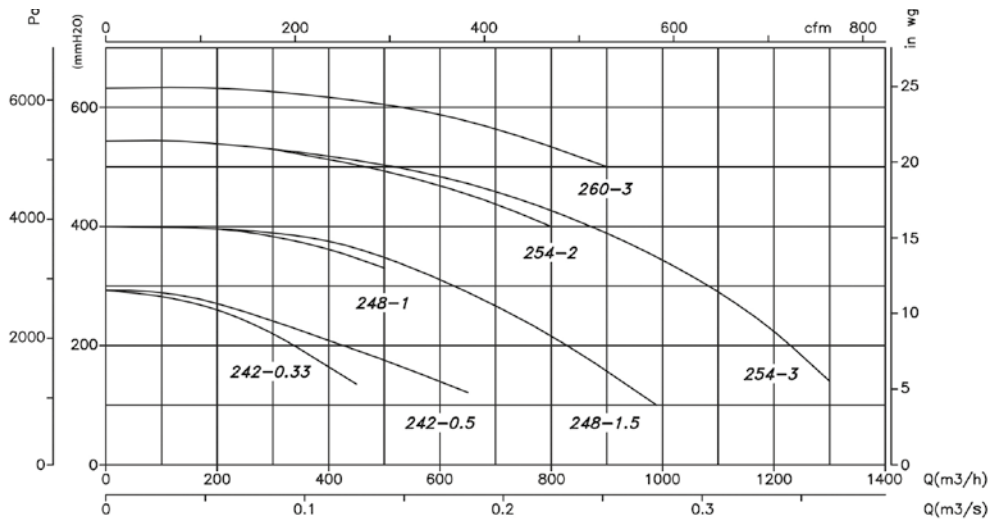


	A	B	C	C1	øD1	ød1	ød2	ØD	N	S	F	E	H	H1	I
CAS-S-790-2T-20	1095	1175	680	56	185	219	255	371	350	259	200	530	630	520	140
CAS-S-980-2T-30	1120	1250	740	90	255	292	325	581	560	290	200	530	710	530	210
CAS-S-990-2T-50	1270	1410	840	100	286	332	366	581	560	300	200	600	800	600	230
CAS-S-1080-2T-40	1120	1250	815	90	255	292	325	581	560	290	200	530	710	530	210
CAS-S-1090-2T-60	1270	1410	920	100	286	332	366	581	560	300	200	600	800	600	230

	J	J1	J2	K	k1	k2	L	øO	øO1	V	v	X	x1	x2	Y
CAS-S-790-2T-20	172	140	-	80	-	112	112	9	14	440	400	425	340	30	103
CAS-S-980-2T-30	270	241	112	140	112	182	200	11.5	14	500	450	470	370	35	143
CAS-S-990-2T-50	294	265	112	160	112	200	224	11.5	16	570	510	500	385	40	165
CAS-S-1080-2T-40	270	241	112	140	112	182	200	11.5	16	570	510	500	385	40	153
CAS-S-1090-2T-60	294	265	112	160	112	200	224	11.5	19	626	565	550	425	40	175

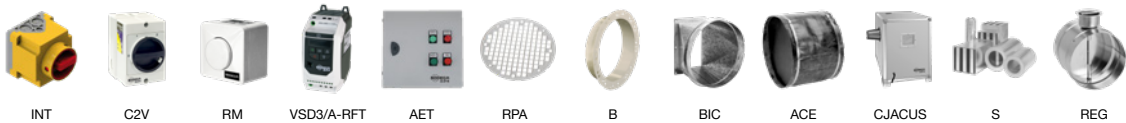
Characteristic curves

Q= Flow rate in m³/h, m³/s and cfm Pe= Static pressure in mm H₂O, Pa and inwg



SMALL SERIES

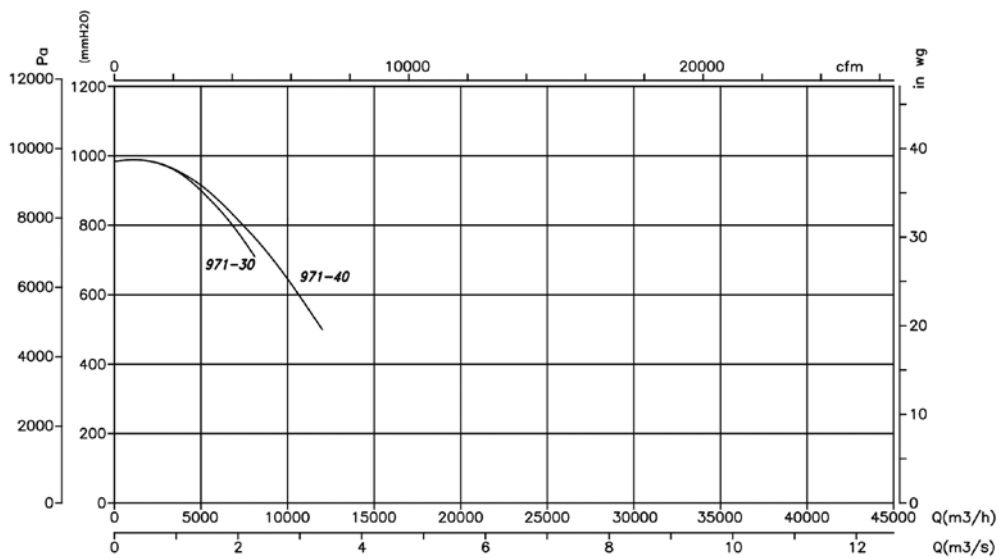
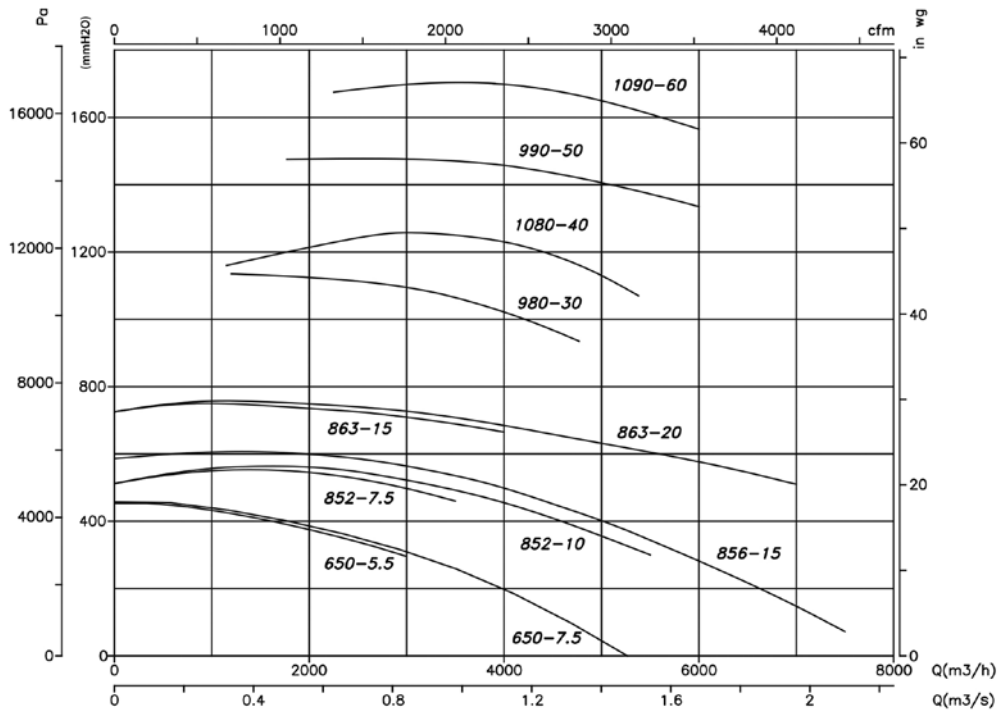
Accessories



Characteristic curves

Q= Flow rate in m³/h, m³/s and cfm

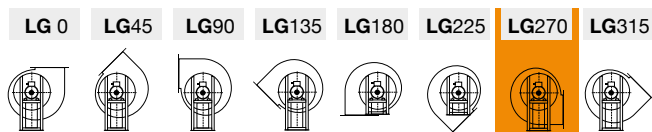
Pe= Static pressure in mm H₂O, Pa and inwg



Orientations

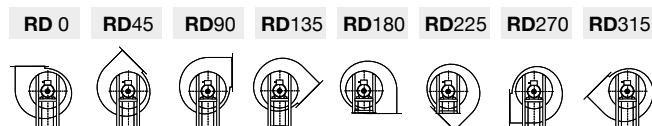
Standard supply LG 270

LG 180 position on request and with special anchoring measurements.



Supply on request

RD 180 positions with special anchoring measurements.



CAM



Single inlet, high pressure centrifugal fans with sheet steel casing and cast aluminum impeller



Fan:

- Sheet steel casing.
- Cast aluminium and sheet steel impellers in models 752, 880 and 980.

Motor:

- Motors with IE3 efficiency for powers equal to or greater than 0.75kW, except single-phase, 2-speed and 8-pole.
- Class F motors with ball bearings and IP55 protection.
- Three-phase 230/400 V 50 Hz (up to 4 kW) and 400/690 V 50 Hz (powers greater than 4 kW).
- Maximum temperature of air to be carried: -20 °C +120 °C.

Finishing:

- Anti-corrosive finish in polyester resin, polymerised at 190 °C, after degreasing with phosphate-free nanotechnology treatment.

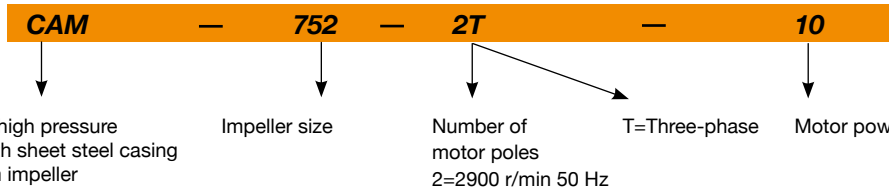
On request:

- Special windings for different voltages.
- Fan prepared to transport air up to +250 °C.
- Stainless steel fan.
- ATEX certified Category 2.



Extremely robust, high performance impellers

Order code



Technical characteristics

Model	Speed (r/min)	Maximum admissible current (A)			Installed power (kW)	Maximum flow rate (m³/h)	Sound pressure level dB(A)	Approx. weight (Kg)	According ErP
		230V	400V	690V					
CAM-540-2T IE3	2875	5.34	3.07		1.50	2430	85	42	2015
CAM-545-2T-3 IE3	2910	7.32	4.21		2.20	2300	86	59	2015
CAM-545-2T-4 IE3	2910	10.00	5.77		3.00	3610	88	68	2015
CAM-550-2T-5.5 IE3	2900	13.00	7.50		4.00	2800	90	122	2015
CAM-550-2T-7.5 IE3	2930		10.10	5.86	5.50	5000	91	152	2015
CAM-752-2T-7.5 IE3	2930		10.10	5.86	5.50	2950	93	161	2015
CAM-752-2T-10 IE3	2930		14.10	8.17	7.50	5000	94	139	2015
CAM-760-2T-10 IE3	2930		14.10	8.17	7.50	2900	95	164	2015
CAM-760-2T-15 IE3	2945		20.00	11.60	11.00	5000	97	228	2015
CAM-760-2T-15/E IE3	2945		20.00	11.60	11.00	6380	98	226	2015
CAM-880-2T-40 IE3	2960		54.50	31.60	30.00	10000	99	420	2015
CAM-980-2T-60 IE3	2960		77.50	44.90	45.00	11390	92	580	Excluded



Erp. (Energy Related Products)

Information on Directive 2009/125/EC can be downloaded from the SODECA website or the QuickFan selector programme.

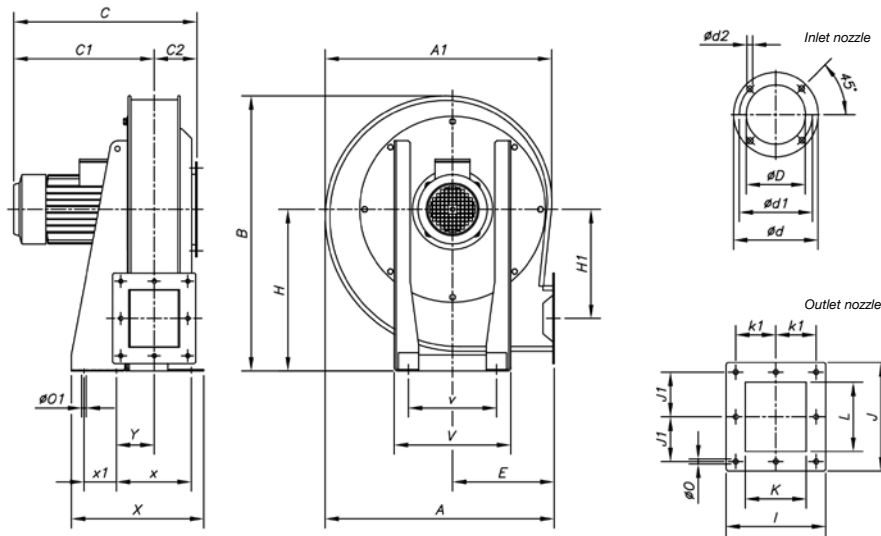
Acoustic characteristics

Sound power spectrum Lw(A) in dB(A) per Hz frequency band.

	63	125	250	500	1000	2000	4000	8000		63	125	250	500	1000	2000	4000	8000
540	57	70	81	90	97	91	86	78	752-10	67	81	92	101	108	102	96	89
545-3	58	71	82	91	98	92	87	79	760-10	70	83	95	103	110	105	99	91
545-4	60	73	84	93	100	94	89	81	760-15	72	85	97	105	112	107	101	93
550-5.5	63	77	88	97	104	98	92	85	760-15/E	73	86	98	106	113	108	102	94
550-7.5	64	78	89	98	105	99	93	86	880	75	89	100	109	116	110	104	97
752-7.5	66	80	91	100	107	101	95	88	980	86	88	96	100	107	104	99	91

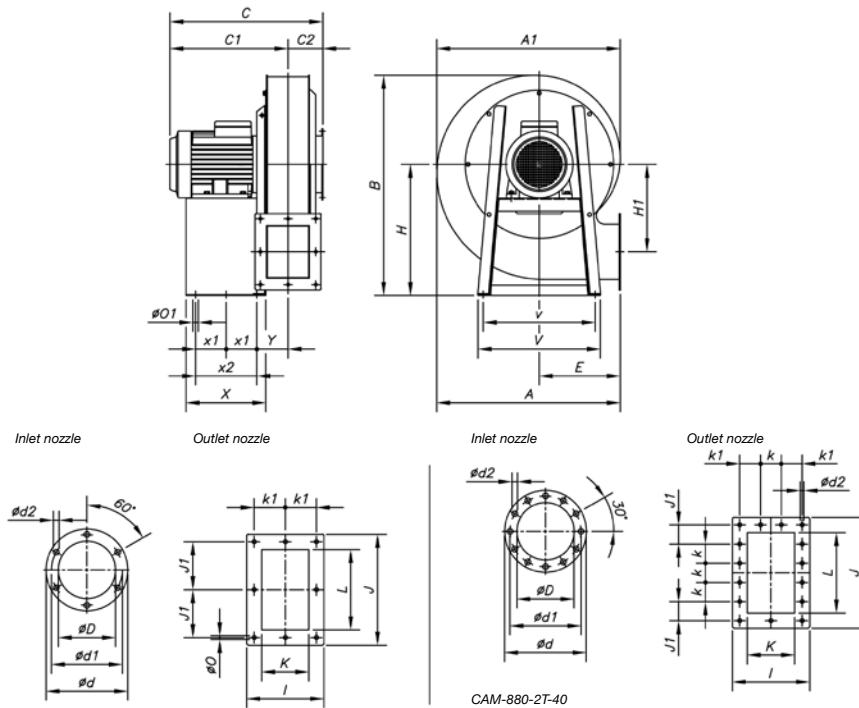
Dimensions mm

CAM-540...545



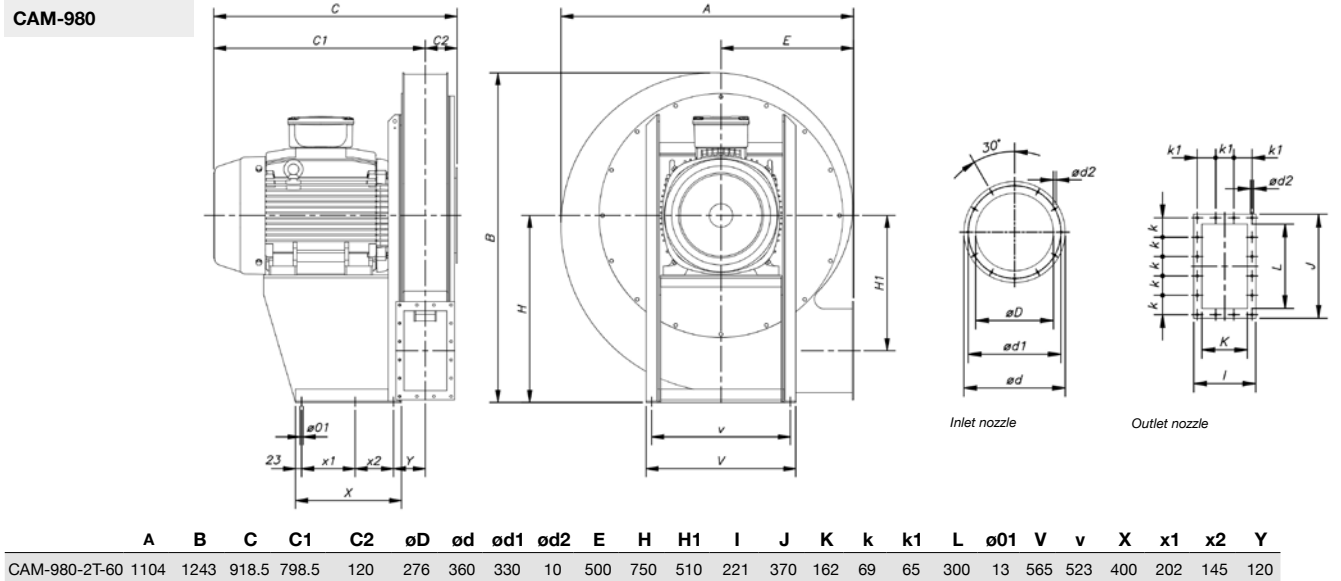
	A	A1	B	C	C1	C2	øD	ød	ød1	ød2	E	H	H1	I	J	J1	K	k1	L	øO	øO1	V	v	X	x	x1	Y
CAM-540-2T	568	562	681	454	348	106	170	235	205	11	252	400	270	206	224	92	120	83	140	10	12	288	218	328	186	80	94
CAM-545-2T-3	654	644	772	474	355.5	118.5	165	235	205	11	290	450	310	222	255	108	135	90	170	10	12	300	238	344	202	80	102.5
CAM-545-2T-4	654	644	772	504	385.5	115.5	165	235	205	11	290	450	310	222	255	108	135	90	170	10	12	300	238	344	202	80	102.5

CAM-550...880



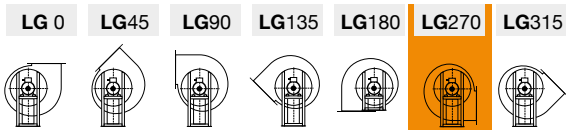
	A	A1	B	C	C1	C2	øD	ød	ød1	ød2	E	H	H1	I	J	J1	K	k	k1	L	øO	øO1	V	v	X	x1	x2	Y
CAM-550-2T-5.5	719	715	868	552	416	136	210	278	258	9	311	510	350	246	296	128	150	-	103	200	11	13	475	435	279	210	210	115.5
CAM-550-2T-7.5	719	715	868	590	454	136	210	278	258	9	311	510	350	246	296	128	150	-	103	200	11	13	475	435	310	210	210	115.5
CAM-752-2T-7.5	713	713	856	594	459	135	217	278	258	9	315	510	340	256	296	128	160	-	108	200	11	13	475	435	390	210	210	121
CAM-752-2T-10	713	713	856	594	459	135	217	278	258	9	315	510	340	256	296	128	160	-	108	200	11	13	475	435	390	210	210	121
CAM-760-2T-10	837.5	833.5	975	616	462	147	212	322	280	9.5	370	570	380	276	316	138	180	-	118	220	11	13	570	525	450	202.5	405	74.5
CAM-760-2T-15	837.5	833.5	975	736	589.5	147	212	322	280	9.5	370	570	380	276	316	138	180	-	118	220	11	13	570	525	450	202.5	405	74.5
CAM-760-2T-15/E	837.5	833.5	975	736	589.5	147	212	322	280	9.5	370	570	380	276	316	138	180	-	118	220	11	13	570	525	450	202.5	405	74.5
CAM-880-2T-40	945	939	1167	905	771	134	290	390	355	10	422	710	430	249	360	61	190	71	76	290	11	13	565	523	480	210	420	133

Dimensions mm



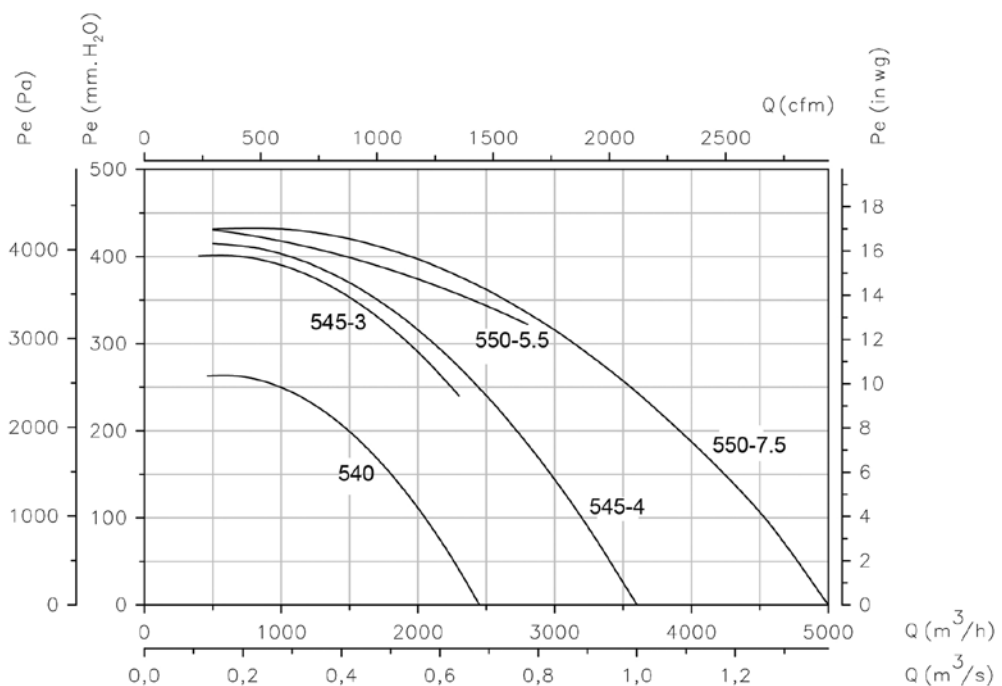
Orientations

Standard supply LG 270
 LG 180 position on request and with special anchoring measurements.



Characteristic curves

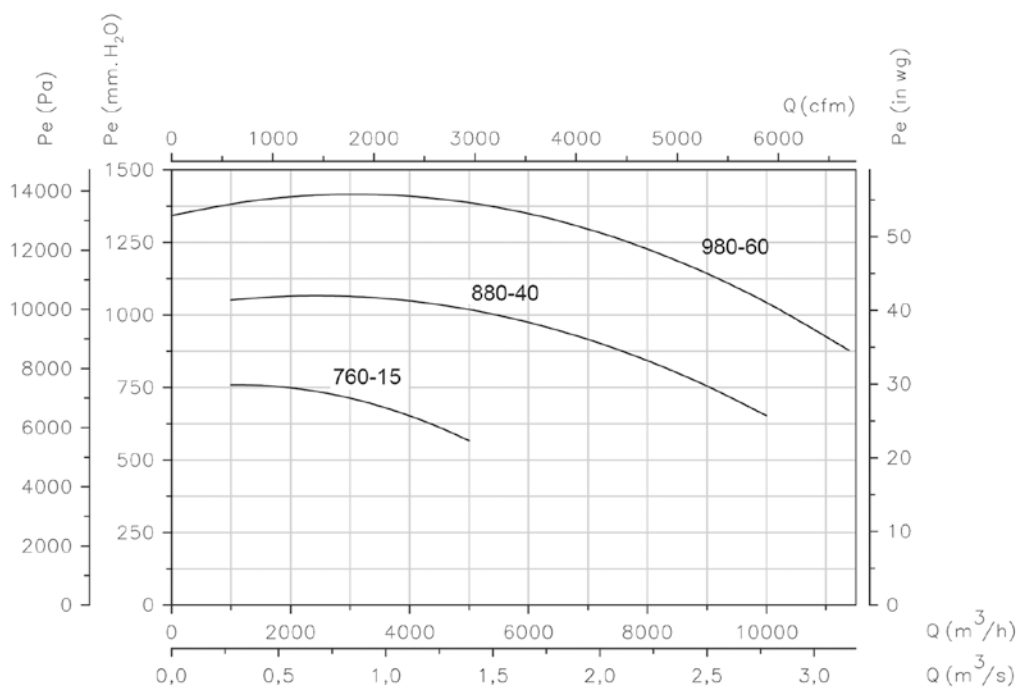
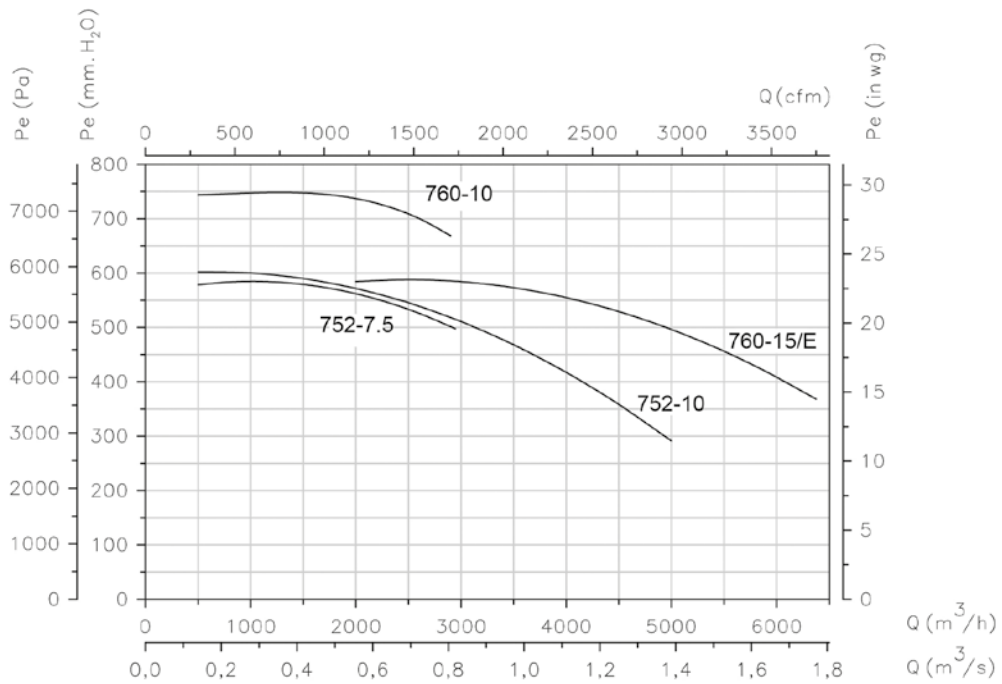
Q= Flow rate in m³/h, m³/s and cfm Pe= Static pressure in mm H₂O, Pa and inwg



Characteristic curves

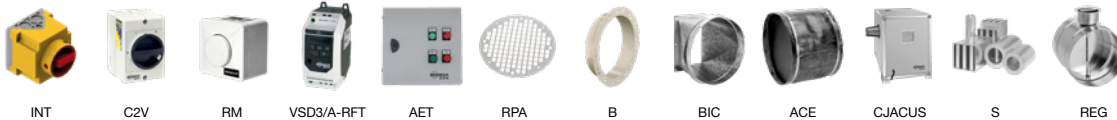
Q= Flow rate in m³/h, m³/s and cfm

Pe= Static pressure in mm H₂O, Pa and inwg



SMALL SERIES

Accessories



INT

C2V

RM

VSD3/A-RFT

AET

RPA

B

BIC

ACE

CJACUS

S

REG

CMTS



Medium pressure single inlet centrifugal fans with casing and straight blade impeller, made of sheet steel, for transporting smoke with solid material



Fan:

- Sheet steel casing.
- Straight blade impeller made of sheet steel.

Motor:

- Motors with IE3 efficiency for powers equal to or greater than 0.75kW, except single-phase, 2-speed and 8-pole.
- Class F motors with ball bearings and IP55 protection.
- Three-phase 230/400 V 50 Hz (up to 4 kW) and 400/690 V 50 Hz (powers greater than 4 kW).
- Maximum temperature of air to be carried: -20 °C +120 °C.

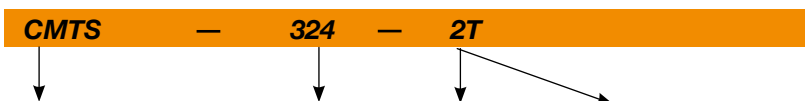
Finishing:

- Anti-corrosive finish in polyester resin, polymerised at 190 °C, after degreasing with phosphate-free nanotechnology treatment.

On request:

- Special windings for different voltages.
- Fan prepared to transport air up to +250 °C.
- ATEX certified Category 2.

Order code



CMTS: Medium pressure single inlet centrifugal fans with casing and straight blade impeller, made of sheet steel, for transporting smoke with solid material

Impeller size

Number of motor poles
2=2900 r/min 50 Hz

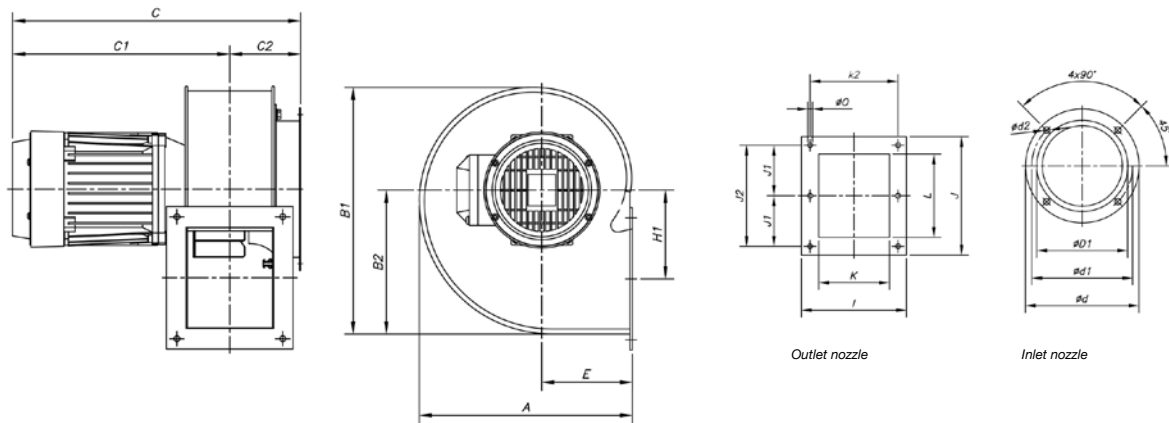
T=Three-phase

Technical characteristics

Model	Speed (r/min)	Maximum admissible current (A)		Installed power (kW)	Maximum flow rate (m³/h)	Sound pressure level dB(A)	Approx. weight (Kg)
		230V	400V				
CMTS-512-2T/R	2710	1.00	0.58	0.08	338	62	4
CMTS-512-2M/R	2780	1.33		0.08	338	62	4
CMTS-514-2T/R	2710	1.00	0.58	0.18	537	65	5
CMTS-514-2M/R	2780	1.33		0.18	537	65	5
CMTS-616-2T/R	2760	2.57	1.49	0.55	802	69	8
CMTS-616-2M/R	2810	3.49		0.55	802	69	10
CMTS-718-2T/R IE3	2825	2.80	1.62	0.75	1144	70	18
CMTS-718-2M/R	2810	4.62		0.75	1144	70	13
CMTS-820-2T/R IE3	2830	4.03	2.34	1.10	1569	73	16
CMTS-820-2M/R	2820	6.51		1.10	1569	73	16

SMALL SERIES

Dimensions mm

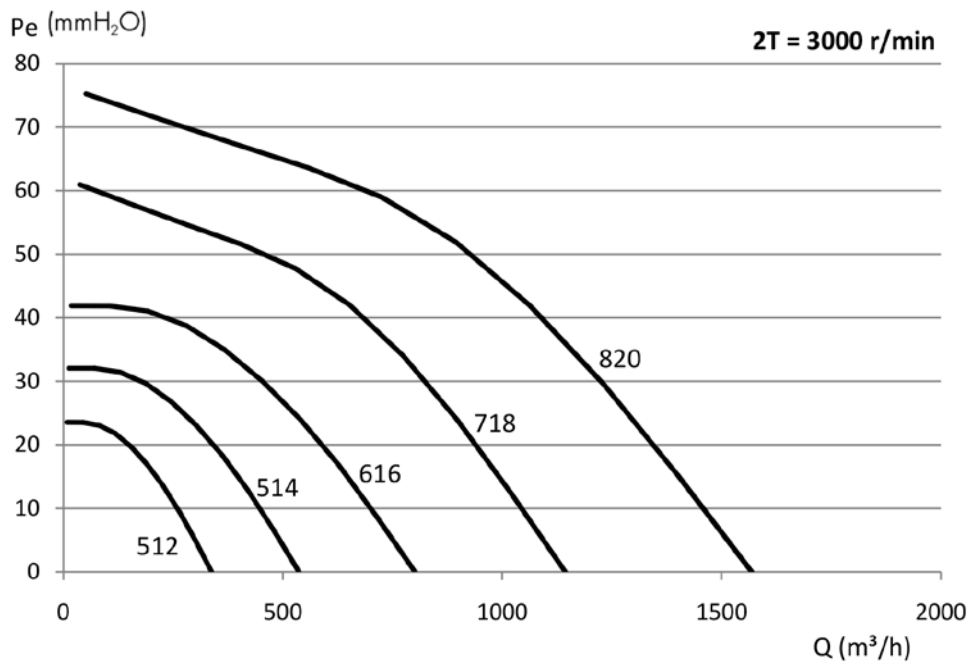


	A	B1	B2	C	C1	C2	øD1*	ød	ød1	ød2	E	H1	I	J	J1	J2	K	k2	L	øO
CMTS-512/R	185	206.5	118	295	215	79.5	112	140	132	M4	82.5	69	104	117	-	104.5	75	92	86	5.5
CMTS-514/R	225	254	150	305	220	85	140	169	151.5	M4	100	91	122	147	64	128	83	105	107	6.5
CMTS-616/R	258	297	173.5	377.5	290	87.5	160	204	180	M6	110	105.5	153	172	-	147	103	128	125	7
CMTS-718-2T/R	303.5	348	201	410	310	100	180	238	210	M6	129.5	122	169	192	85	170	115	145	146	9
CMTS-718-2M/R	303.5	348	201	465	365	100	180	238	210	M6	129.5	122	169	192	85	170	115	145	146	9
CMTS-820/R	322	377	223	420	315	105	200	247	230	M6	137.5	137	184	213	94.5	189	130	160	156	9

* Recommended nominal tube diameter

Characteristic curves

Q= Flow rate in m³/h, m³/s and cfm Pe= Static pressure in mm H₂O, Pa and inwg



Orientations

Standard supply LG 270



CMT



Medium pressure single inlet centrifugal fans with casing and straight blade impeller, made of sheet steel for conveying powder and solid material



Fan:

- Sheet steel casing.
- Straight blade impeller made of sheet steel.

Motor:

- Motors with IE3 efficiency for powers equal to or greater than 0.75kW, except single-phase, 2-speed and 8-pole.
- Class F motors with ball bearings and IP55 protection.
- Three-phase 230/400 V 50 Hz (up to 4 kW) and 400/690 V 50 Hz (powers greater than 4 kW).
- Maximum temperature of air to be carried: -20 °C +120 °C.

Finishing:

- Anti-corrosive finish in polyester resin, polymerised at 190 °C, after degreasing with phosphate-free nanotechnology treatment.

On request:

- Special windings for different voltages.
- Fan prepared to transport air up to +250 °C.
- ATEX certified Category 2.



Extremely robust radial impeller

Order code

CMT — 1435 — 2T — 10

CMT: Medium pressure single inlet centrifugal fans with casing and straight blade impeller, made of sheet steel for conveying powder and solid material

Impeller size

Number of motor poles
2=2900 r/min 50 Hz
4=1400 r/min 50 Hz

T=Three-phase

Motor power (HP)

Technical characteristics

Model	Speed (r/min)	Maximum admissible current (A)			Installed power (kW)	Maximum flow rate (m³/h)	Sound pressure level dB(A)	Approx. weight (Kg)
		230V	400V	690V				
CMT-922-2T IE3	2830	4.03	2.34		1.1	2180	71	23
CMT-1025-2T IE3	2875	5.34	3.07		1.5	2850	74	35
CMT-1128-2T IE3	2910	7.32	4.21		2.2	4500	76	42
CMT-1231-2T-4 IE3	2910	10.00	5.77		3	5220	78	57
CMT-1231-2T-5.5 IE3	2900	13.00	7.50		4	6300	79	79
CMT-1435-2T-7.5 IE3	2930		10.10	5.86	5.5	7800	85	109
CMT-1435-2T-10 IE3	2930		14.10	8.17	7.5	8260	87	91
CMT-1640-2T-10 IE3	2930		14.10	8.17	7.5	9600	90	101
CMT-1845-2T-15 IE3	2945		20.00	11.60	11	10500	91	215
CMT-1845-2T-20 IE3	2945		27.70	16.10	15	13000	94	218

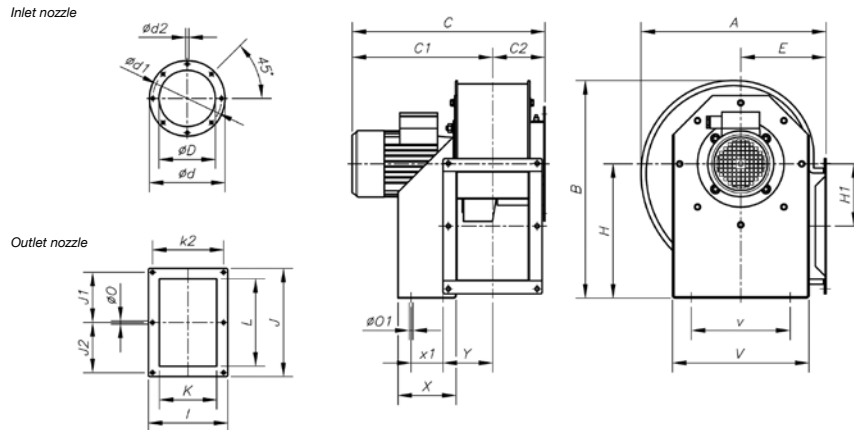
Acoustic characteristics

Sound power spectrum Lw(A) in dB(A) per Hz frequency band.

	63	125	250	500	1000	2000	4000	8000		63	125	250	500	1000	2000	4000	8000
922-2	45	61	76	76	77	74	72	63	1435-2-7.5	62	77	93	92	94	90	88	80
1025-2	48	64	79	79	80	77	75	66	1435-2-10	64	79	95	94	96	92	90	82
1128-2	50	66	81	81	82	79	77	68	1640-2-10	67	82	98	97	99	95	93	85
1231-2-4	55	70	86	85	87	83	81	73	1845-2-15	70	85	100	100	101	98	96	87
1231-2-5.5	56	71	87	86	88	84	82	74	1845-2-20	73	88	103	103	104	101	99	90

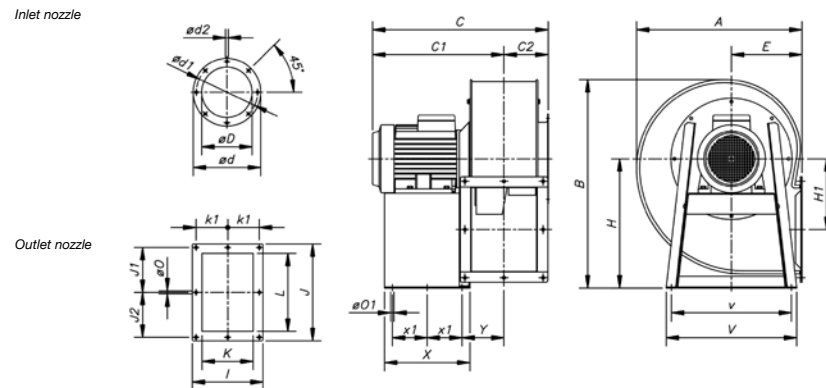
Dimensions mm

CMT-922...1231



	A	B	C	C1	C2	ϕD	ϕd	$\phi d1$	$\phi d2$	E	H	H1	I	J	J1	K	k2	L	ϕO	$\phi O1$	V	v	X	x1	Y
CMT-922	388.5	455	416	309	107	170	244	210	9.5	180	280	134	204	282.5	128	140	180	215	9.5	10.5	290	220	114	50	105
CMT-1025-2T	427	503	490	369.5	120.5	190	264	230	9.5	197	310	144	229	312.5	145	165	205	250	9.5	12.5	315	228	134	74	115.5
CMT-1128-2T	472	553	505	377	128	210	284	249	9.5	216	340	152	244	364	170	180	220	296.5	9.5	12.5	348	245	144	95	122.5
CMT-1231-2T-4	526	630	555	417	138	240	305	275	9.5	238	390	179.5	264	382.5	180	200	240	320	11.5	13	382	322	183	140	125
CMT-1231-2T-5.5	526	630	578	440	138	240	305	275	9.5	238	390	179.5	264	382.5	180	200	240	320	11.5	13	382	322	183	140	125

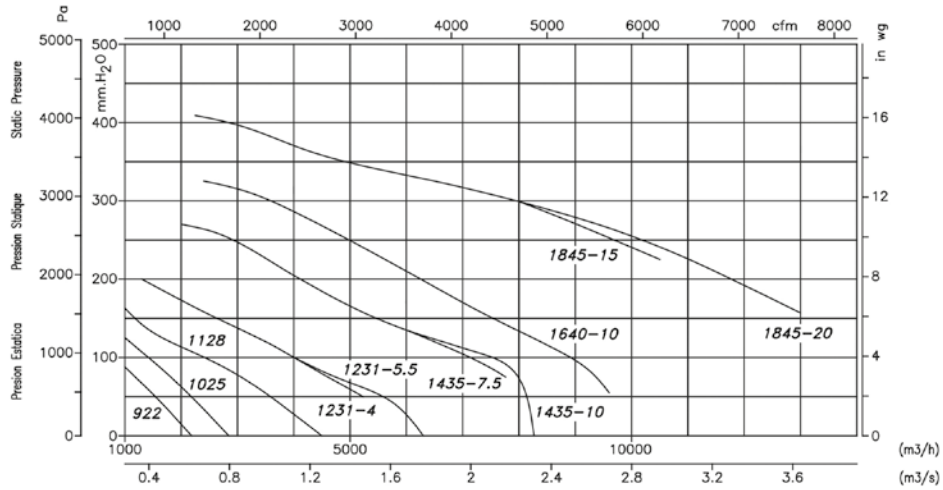
CMT-1435...2050



	A	B	C	C1	C2	ϕD	ϕd	$\phi d1$	$\phi d2$	E	H	H1	I	J	J1	K	k1	L	ϕO	$\phi O1$	V	v	X	x1	Y
CMT-1435-2T	573.5	715	661	504	157	276	344	310	9.5	250	445	242.5	292	342.5	159	228	133	280	11.5	12	456	420	333	136.5	149
CMT-1640-2T	634	799	673	504	169	276	344	310	9.5	270	495	271	336	404	185	250	150	321	11.5	12	500	460	327	133.5	161
CMT-1845-2T-15	711	901	817	626	191	350	434	395	9.5	302	560	305	370	444	202	284	164	361	11.5	12	538	502	420	180	178
CMT-1845-2T-20	711	901	817	626	191	350	434	395	9.5	302	560	305	370	444	202	284	164	361	11.5	12	538	502	420	180	178

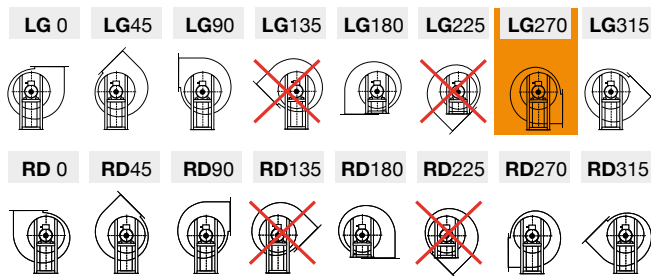
Characteristic curves

Q= Flow rate in m³/h, m³/s and cfm Pe= Static pressure in mm H₂O, Pa and inwg



Orientations

Standard supply LG 270
Positions LG 180 and RD 180 on request with special anchoring measurements.



Accessories



INT C2V RM VSD3/A-RFT AET RPA B BIC ACE

SMALL SERIES

CMAT

Single-inlet, medium-pressure centrifugal fans with casing and straight blade impeller made of cast aluminum, for conveying powder and solid material



Fan:

- Cast aluminium casing.
- Straight blade impeller in cast aluminium in models 324 to 531 and in sheet steel in models 540 to 545.

Motor:

- Motors with IE3 efficiency for powers equal to or greater than 0.75kW, except single-phase, 2-speed and 8-pole.
- Class F motors with ball bearings and IP55 protection.
- Three-phase 230/400 V 50 Hz.
- Maximum temperature of air to be carried: -20 °C +120 °C.

Finishing:

- Anti-corrosive finish in polyester resin, polymerised at 190 °C, after degreasing with phosphate-free nanotechnology treatment.

On request:

- Special windings for different voltages.
- Fan prepared to transport air up to +250 °C.
- ATEX certified Category 2.



Different options for impulsion positions

Order code

CMAT — **540** — **2T** — **2**

CMAT: Single-inlet, medium-pressure centrifugal fans with casing and straight blade impeller made of cast aluminum, for conveying powder and solid material

Impeller size

Number of motor poles
T=Three-phase
2=2900 r/min 50 Hz

Motor power (HP)

Technical characteristics

Model	Speed (r/min)	Maximum admissible current (A)		Installed power (kW)	Maximum flow rate (m ³ /h)	Sound pressure level dB(A)	Approx. weight (Kg)
		230V	400V				
CMAT-324-2T	2750	1.21	0.70	0.18	300	70	9
CMAT-325-2T	2710	1.29	0.75	0.25	450	73	11
CMAT-426-2T	2710	1.92	1.11	0.37	650	75	12
CMAT-527-2T	2710	1.92	1.11	0.37	900	80	13
CMAT-528-2T IE3	2825	2.80	1.62	0.75	1400	80	25
CMAT-531-2T IE3	2830	4.03	2.34	1.10	1800	84	25
CMAT-540-2T-2 IE3	2875	5.34	3.07	1.50	2080	80	42
CMAT-540-2T-3 IE3	2910	7.32	4.21	2.20	2800	82	46
CMAT-545-2T-4 IE3	2910	10.00	5.77	3.00	3115	80	60

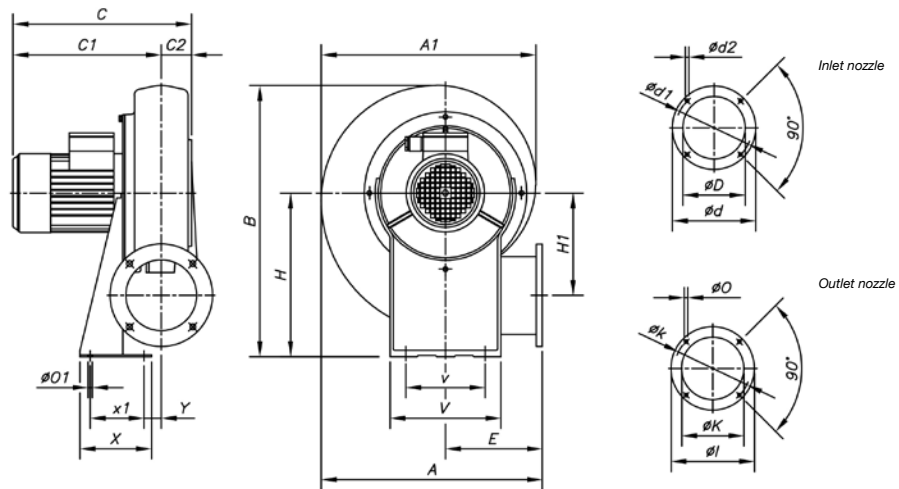
Acoustic characteristics

Sound power spectrum Lw(A) in dB(A) per Hz frequency band.

	63	125	250	500	1000	2000	4000	8000		63	125	250	500	1000	2000	4000	8000
324	42	48	72	79	76	69	60	52	531	51	67	90	92	89	83	77	69
325	47	54	76	80	80	75	65	56	540-2	55	76	91	86	87	83	76	68
426	42	54	78	85	77	71	63	58	540-3	57	81	89	88	92	89	83	75
527	47	61	84	90	82	75	67	61	545	62	81	87	86	87	89	82	74
528	49	64	89	85	84	79	72	65									

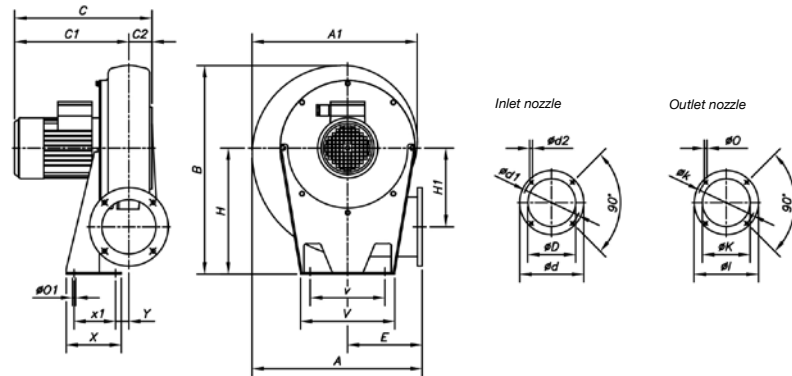
Dimensions mm

CMAT-324...528



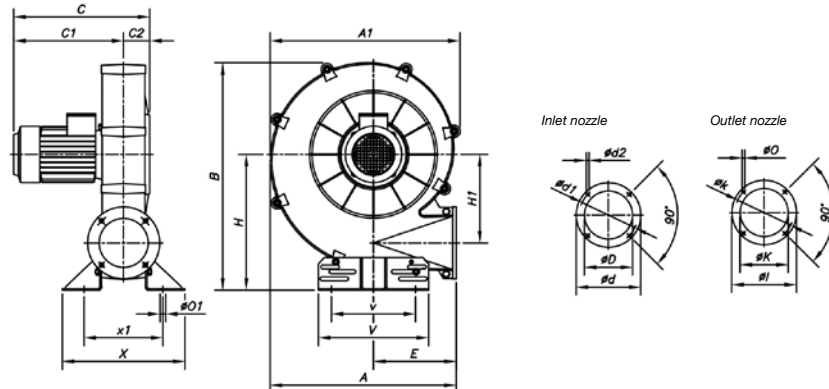
	A	A1	B	C	C1	C2	øD	ød	ød1	ød2	E	H	H1	øI	øK	øk	øO	øO1	V	v	X	x1	Y
CMAT-324	311	302	356	264	226	38	80	130	112	M5	145	205	145	108	62	90	7	9	173	125	90	60	20
CMAT-325	335	328	399	284	244	40	94	140	122	M6	155	235	152	120	80	102	7	9	180	145	110	80	20
CMAT-426	354	344	412	290	250	40	117	155	132	M6	162	240	163	140	90	119	7	13	210	160	105	65	22
CMAT-527	371	361	440	295	253	42	125	170	147	M6	168	260	170	155	100	129	7	13	220	170	120	80	17
CMAT-528	401	395	485	337	289	48	135	190	162	M6	178	288	177	190	130	160	11	13	230	180	140	100	20

CMAT-531



	A	A1	B	C	C1	C2	øD	ød	ød1	ød2	E	H	H1	øI	øK	øk	øO	øO1	V	v	X	x1	Y
CMAT-531	432	420	530	339	289	50	160	215	180	M6	189	320	200	200	140	175	11	13	226	190	160	120	19

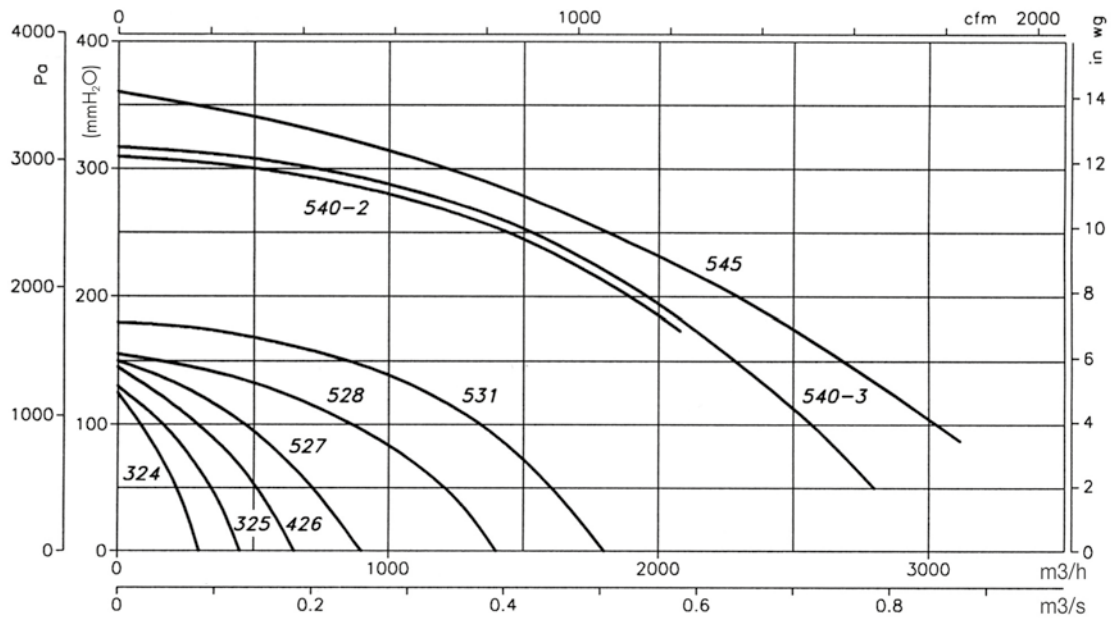
CMAT-540...545



	A	A1	B	C	C1	C2	øD	ød	ød1	ød2	E	H	H1	øI	øK	øk	øO	øO1	V	v	X	x1
CMAT-540	562	550	690	403	323	80	170	240	205	M10	252	415	270	220	150	190	13	11	336	218	376	242
CMAT-545	651	646	776	483	368	115	180	255	220	M10	290	450	309	250	175	220	13	13	336	238	392	292

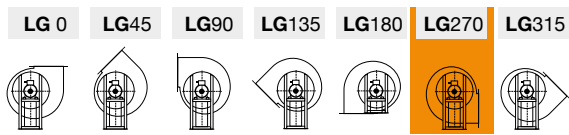
Characteristic curves

Q= Flow rate in m³/h, m³/s and cfm Pe= Static pressure in mm H₂O, Pa and inwg



Orientations

Standard supply LG 270
 LG 180 position on request and with special anchoring measurements.



Accessories





PORT

Extremely robust, high power portable air extractors



Fan:

- Portable extractor with high aspiration power.
- For the extraction of dirty and dusty air in facilities where extraction is required in an intermittent and mobile way, specially designed for industrial and agricultural applications.

Constructive features:

- Thick steel sheet casing.
- Very robust backward curved impeller.
- Support bench with long lasting wheels.
- Circular outlet flange included.
- Inlet protection grid included.

Motor:

- Motors with IE3 efficiency for powers equal to or greater than 0.75kW, except single-phase, 2-speed and 8-pole.
- Class F motors with ball bearings and IP55 protection.
- Three-phase 230/400 V 50 Hz (up to 4 kW) and 400/690 V 50 Hz (powers greater than 4 kW).

- Maximum temperature of air to be carried: -20 °C +120 °C.

Finishing:

- Anti-corrosive finish in polyester resin, polymerised at 190 °C, after degreasing with phosphate-free nanotechnology treatment.

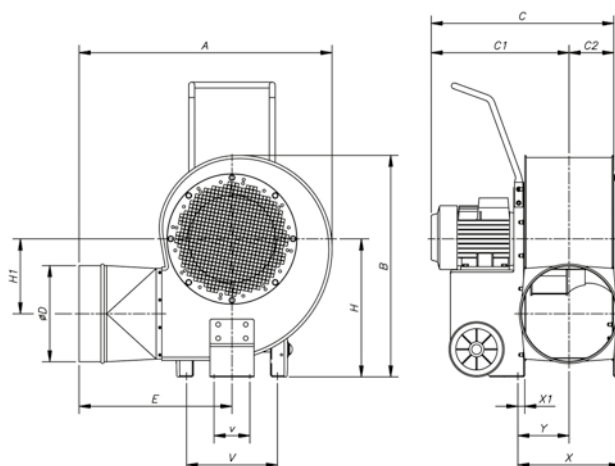
On request:

- Special windings for different voltages.
- Fan prepared to transport air up to +250 °C.
- Stainless steel fan.
- ATEX certification.

Technical characteristics

Model	Speed (r/min)	Maximum admissible current (A)			Installed power (kW)	Maximum flow rate (m³/h)	Sound pressure level dB(A)	Approx. weight (Kg)	According ErP
		230V	400V	690V					
PORT-1135-2T-3 IE3	2910	7.32	4.21		2.20	7800	83	75	2015
PORT-1240-2T-5.5 IE3	2900	13.00	7.50		4.00	11100	86	114	2015
PORT-1445-2T-10 IE3	2930		14.10	8.17	7.50	16500	87	142	2015
PORT-1650-2T-15 IE3	2945		20.00	11.60	11.00	18850	89	230	2015
PORT-1650-2T-20 IE3	2945		27.70	16.10	15.00	19500	90	243	2015

Dimensions mm



	A	B	C	C1	C2	øD	E	H	H1	øO	V	v	X	X1	Y
PORT-1135-2T-3	866	720	576.5	432	144.5	315	542	450	242.5	12	330	130	332	20	163
PORT-1240-2T-5'5	920	805	663	500.5	162.5	355	555	500	271	12	330	130	372	25	186
PORT-1445-2T-10	1050	918	745.5	562.5	183	400	635	575	271	12	370	130	411.5	25	205.5
PORT-1650-2T-15	1128	987	890.5	685	205.5	500	672	610	297	12	390	130	453	25	227
PORT-1650-2T-20	1128	987	890.5	685	205.5	500	672	610	297	12	390	130	453	25	227



Erp. (Energy Related Products)

Information on Directive 2009/125/EC can be downloaded from the SODECA website or the QuickFan selector programme.

Accessories



B

Centrifugal fans for industrial applications **LARGE SERIES**



MEDIUM PRESSURE



CMRS
Very robust single inlet, medium pressure centrifugal fans, equipped with a backward curved impeller
Designed for clean or slightly dusty air

76



CAMA
Extremely robust medium pressure and single inlet centrifugal fans with sheet steel casing and impeller
Designed for dusty air

110



CAMC
Extremely robust medium pressure and single inlet centrifugal fans with sheet steel casing and impeller
Designed for dusty air

144



CAMD
Extremely robust medium pressure and single inlet centrifugal fans with sheet steel casing and impeller
Designed for dusty air

160



HIGH PRESSURE



190

CASB

Extremely robust, high pressure, single inlet centrifugal fans with sheet steel casing and impeller
Designed for dusty air



222

CAAB

Extremely robust high pressure single inlet centrifugal fans with sheet steel casing and impeller
Designed for clean or dusty air



240

CAAE

Extremely robust high pressure single inlet centrifugal fans with sheet steel casing and impeller
Designed for clean or dusty air



252

CAAF

Extremely robust high pressure single inlet centrifugal fans with sheet steel casing and impeller
Designed for clean or dusty air

TRANSPORT



266

CAST

Extremely robust open blade and single inlet centrifugal fans with sheet steel casing and impeller
Designed for air that is very dusty and with materials suspended in the air



282

CMTB

Extremely robust open blade and single inlet centrifugal fans with sheet steel casing and impeller
Designed for air that is very dusty and with materials suspended in the air



294

CMTC

Extremely robust open blade and single inlet centrifugal fans with sheet steel casing and impeller
Designed for air that is very dusty and with materials suspended in the air

DIRECT DRIVE MOTOR

CMRS

Very robust single inlet, medium pressure centrifugal fans, equipped with a backward curved impeller
Designed for clean or slightly dusty air



SYSTEM

4



Motor:

- Motors with IE3 efficiency for powers equal to or greater than 0.75kW, except single-phase, 2-speed and 8-pole.
- Class F motors with ball bearings, IP55 protection.
- Three-phase 230/400 V 50 Hz (up to 4 kW) and 400/690 V 50 Hz (powers greater than 4 kW).
- Maximum temperature of air to be carried: -25 °C +90 °C.

Finishing:

- Anti-corrosive finish in polyester resin, polymerised at 190 °C, after degreasing with phosphate-free nanotechnology treatment.

On request:

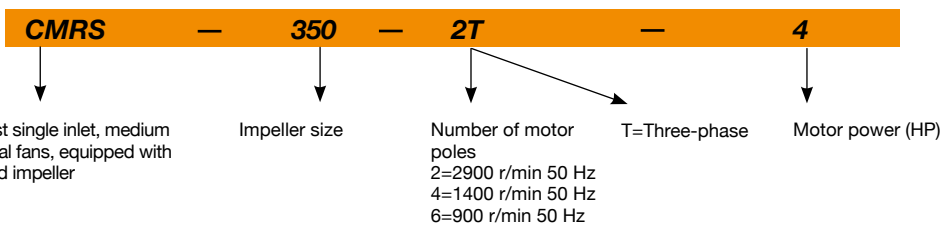
- Special windings for different voltages.
- Fan prepared to transport air up to +300 °C.
- Special executions for temperatures + 300 °C.
- Stainless steel fan.
- ATEX certified Category 2.
- System 8 elastic coupling.

Fan:

- Sheet steel casing.
- Backward curved impeller made of very robust sheet steel, specially designed for clean or slightly dusty air.
- Directly coupled motor.
- Fitted with inspection hatch, except models 350, 400, 450, 500 and 560.
- With inspection and cleaning hatch from size 560 and up.
- Sizes over 1250 are supplied with split casing for easy transport.
- Casing continuously welded starting with size 800.

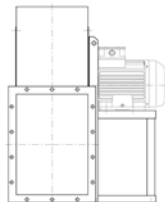
*The images are provided only for illustrative purposes, the product may vary depending on its size, specifications and position.

Order code



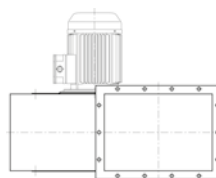
Direct drive motor construction method

SYSTEM
4



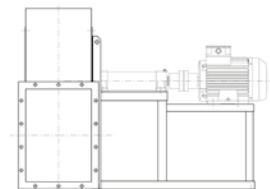
Direct drive, impeller mounted on the motor shaft, mounted on the pedestal.

SYSTEM
5



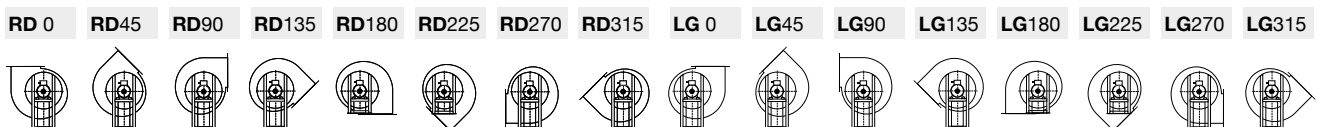
Direct drive, impeller mounted on the motor shaft, flange motor mounted on the fan casing.

SYSTEM
8



Elastic coupling drive, impeller mounted on the support shaft, mounted on the motor via an elastic coupling. Everything mounted together on a fan pedestal.

Orientations



LG270 standard supply, other positions on request. Models 350 to 710 are adjustable. Special sizes in positions 180 and 225. Models 800 to 900 are adjustable. Special sizes except position 315. Models 1000 to 1400 are not adjustable. Special sizes except position 315.

LARGE SERIES

Technical characteristics

Model	Frame	Speed (r/min)	Maximum admissible current (A)			Installed power (kW)	Maximum flow rate (m³/h)	Sound pressure level dB(A)	Approx. weight (Kg)	According ErP
			230 V	400 V	690 V					
CMRS-350-2T-4 IE3	100 LA/2	2910	10.00	5.77		3.00	7750	77	81	2015
CMRS-350-4T-0.5	71 B/4	1380	1.84	1.06		0.37	3900	65	50	2015
CMRS-400-2T-5.5 IE3	112 M/2	2900	13.00	7.50		4.00	9700	79	101	2015
CMRS-400-2T-7.5 IE3	132 SA/2	2930		10.10	5.86	5.50	12100	82	130	2015
CMRS-400-4T-0.75	80 A/4	1420	2.28	1.31		0.55	5400	67	69	2015
CMRS-450-2T-10 IE3	132 SB/2	2935		13.90	8.06	7.50	13600	83	141	2015
CMRS-450-2T-15 IE3	160 MA/2	2945		20.00	11.60	11.00	17200	84	198	2015
CMRS-450-4T-1 IE3	80 B/4	1420	2.82	1.62		0.75	6850	69	79	2015
CMRS-450-4T-1.5 IE3	90 S/4	1455	4.07	2.34		1.10	7700	70	88	2015
CMRS-500-2T-20 IE3	160 MB/2	2945		27.70	16.10	15.00	19400	88	231	2015
CMRS-500-2T-25 IE3	160 L/2	2945		33.90	19.70	18.50	24300	89	250	2015
CMRS-500-4T-2 IE3	90 L/4	1440	5.41	3.11		1.50	9750	71	125	2015
CMRS-500-4T-3 IE3	100 LA/4	1435	7.93	4.56		2.20	10850	72	130	2015
CMRS-500-6T-0.75	80 B/6	910	2.59	1.49		0.55	6900	61	107	2015
CMRS-560-4T-4 IE3	100 LB/4	1440	10.70	6.15		3.00	13600	73	153	2015
CMRS-560-4T-5.5 IE3	112 M/4	1450	13.90	8.00		4.00	17300	73	162	2015
CMRS-560-6T-1 IE3	90 S/6	940	3.36	1.93		0.75	8650	62	132	2015
CMRS-560-6T-1.5 IE3	90 L/6	945	4.68	2.69		1.10	9650	65	141	2015
CMRS-630-4T-7.5 IE3	132 S/4	1465		10.30	5.97	5.50	19100	75	216	2015
CMRS-630-4T-10 IE3	132 MA/4	1465		13.90	8.06	7.50	24600	75	227	2015
CMRS-630-6T-2 IE3	100 LA/6	950	6.43	3.70		1.50	12200	66	171	2015
CMRS-630-6T-3 IE3	112 M/6	950	9.08	5.22		2.20	15350	68	181	2015
CMRS-710-4T-15 IE3	160 M/4	1470		20.90	12.10	11.00	27550	78	352	2015
CMRS-710-4T-20 IE3	160 L/4	1465		27.90	16.20	15.00	34900	78	377	2015
CMRS-710-6T-4 IE3	132 SA/6	970	12.00	6.91		3.00	17200	70	276	2015
CMRS-710-6T-5.5 IE3	132 MA/6	960	15.60	8.99		4.00	21700	71	285	2015
CMRS-800-4T-25 IE3	180 M/4	1470		35.10	20.30	18.50	38250	81	480	2015
CMRS-800-4T-30 IE3	180 L/4	1470		41.00	23.80	22.00	48250	83	503	2015
CMRS-800-6T-7.5 IE3	132 M/6	970		11.20	6.49	5.50	24400	74	359	2015
CMRS-800-6T-10 IE3	160 M/6	975		14.80	8.58	7.50	30900	74	412	2015
CMRS-900-4T-50 IE3	225 S/4	1480		66.80	38.70	37.00	54300	85	810	2015
CMRS-900-4T-60 IE3	225 L/4	1475		80.90	46.90	45.00	69550	85	849	2015
CMRS-900-6T-15 IE3	160 L/6	975		21.90	12.70	11.00	34650	76	521	2015
CMRS-900-6T-20 IE3	180 L/6	975		28.20	16.30	15.00	42600	76	583	2015
CMRS-1000-4T-75 IE3	250 M/4	1480		98.60	57.20	55.00	76650	87	1082	2015
CMRS-1000-4T-100 IE3	280 S/4	1485		134.00	77.70	75.00	96150	88	1319	2015
CMRS-1000-6T-25 IE3	200 LR/6	980		35.90	20.80	18.50	48750	77	783	2015
CMRS-1000-6T-30 IE3	200 L/6	980		42.40	24.60	22.00	61800	78	810	2015
CMRS-1120-6T-40 IE3	225 M/6	985		55.40	32.10	30.00	71500	80	1081	2015
CMRS-1120-6T-50 IE3	250 M/6	985		67.20	39.00	37.00	85950	80	1261	2015
CMRS-1250-6T-75 IE3	280 M/6	985		103.00	59.70	55.00	98300	83	1618	2015
CMRS-1250-6T-100 IE3	315 S/6	990		139.00	80.60	75.00	121200	84	1947	2015
CMRS-1400-6T-125 IE3	315 M/6	990		165.00	95.70	90.00	142150	87	2328	2015
CMRS-1400-6T-150 IE3	315 M/6	990		201.00	117.00	110.00	173400	88	2476	2015

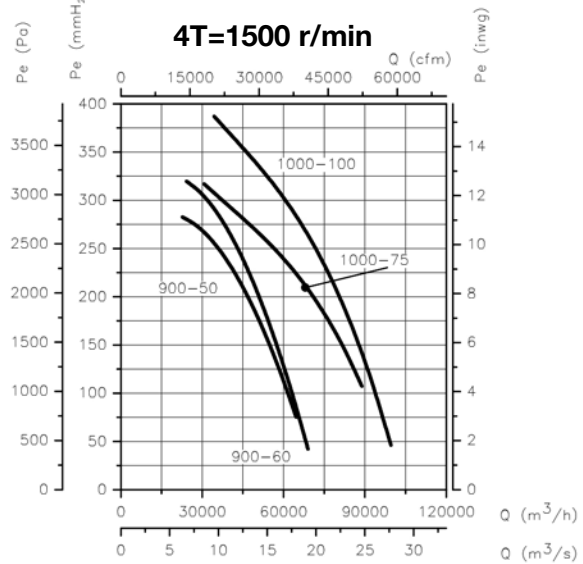
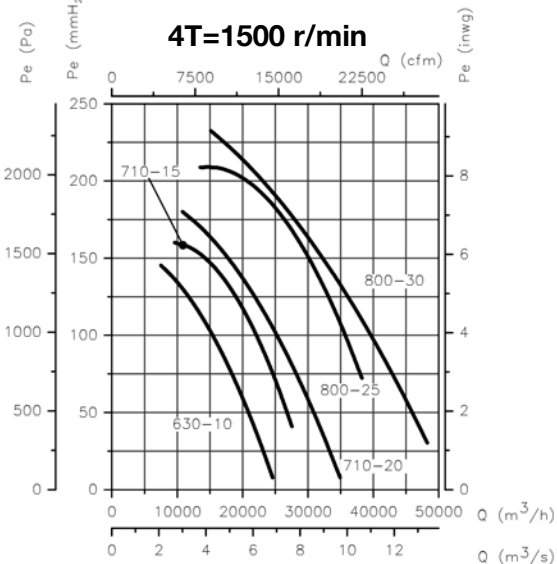
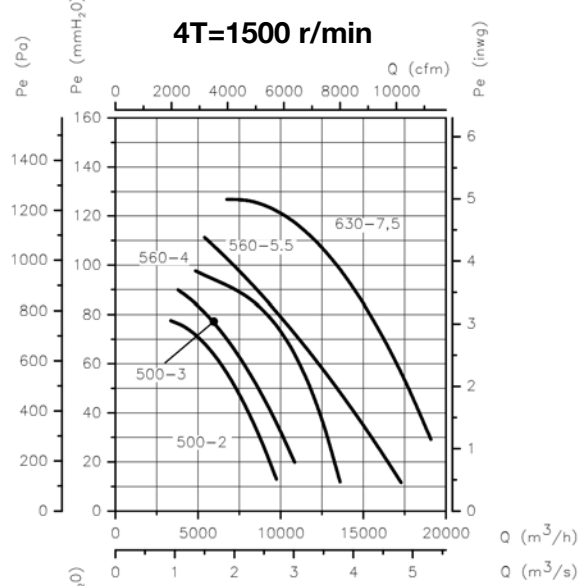
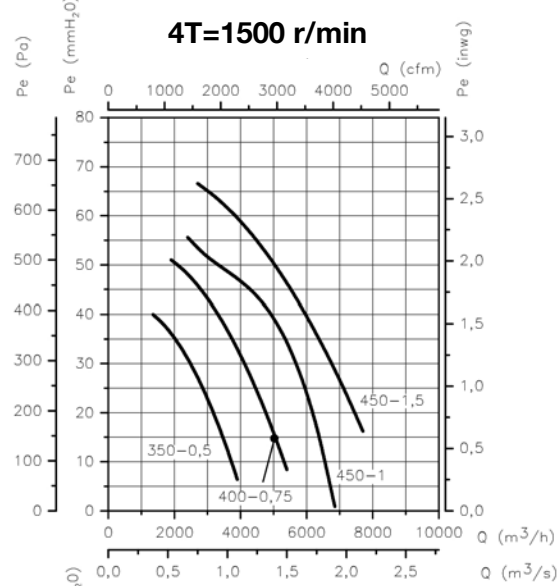
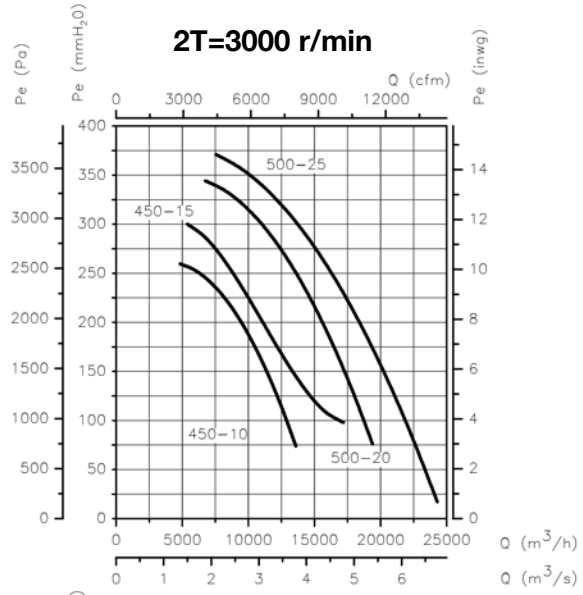
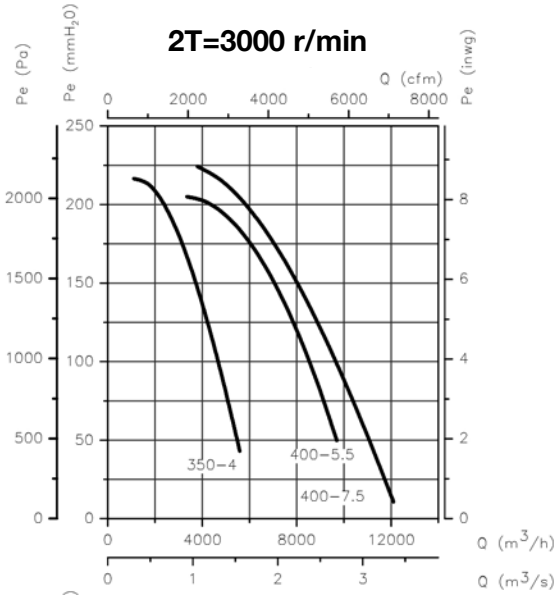


Erp. (Energy Related Products)

Information on Directive 2009/125/EC can be downloaded from the SODECA website or the QuickFan selector programme.

Characteristic curves

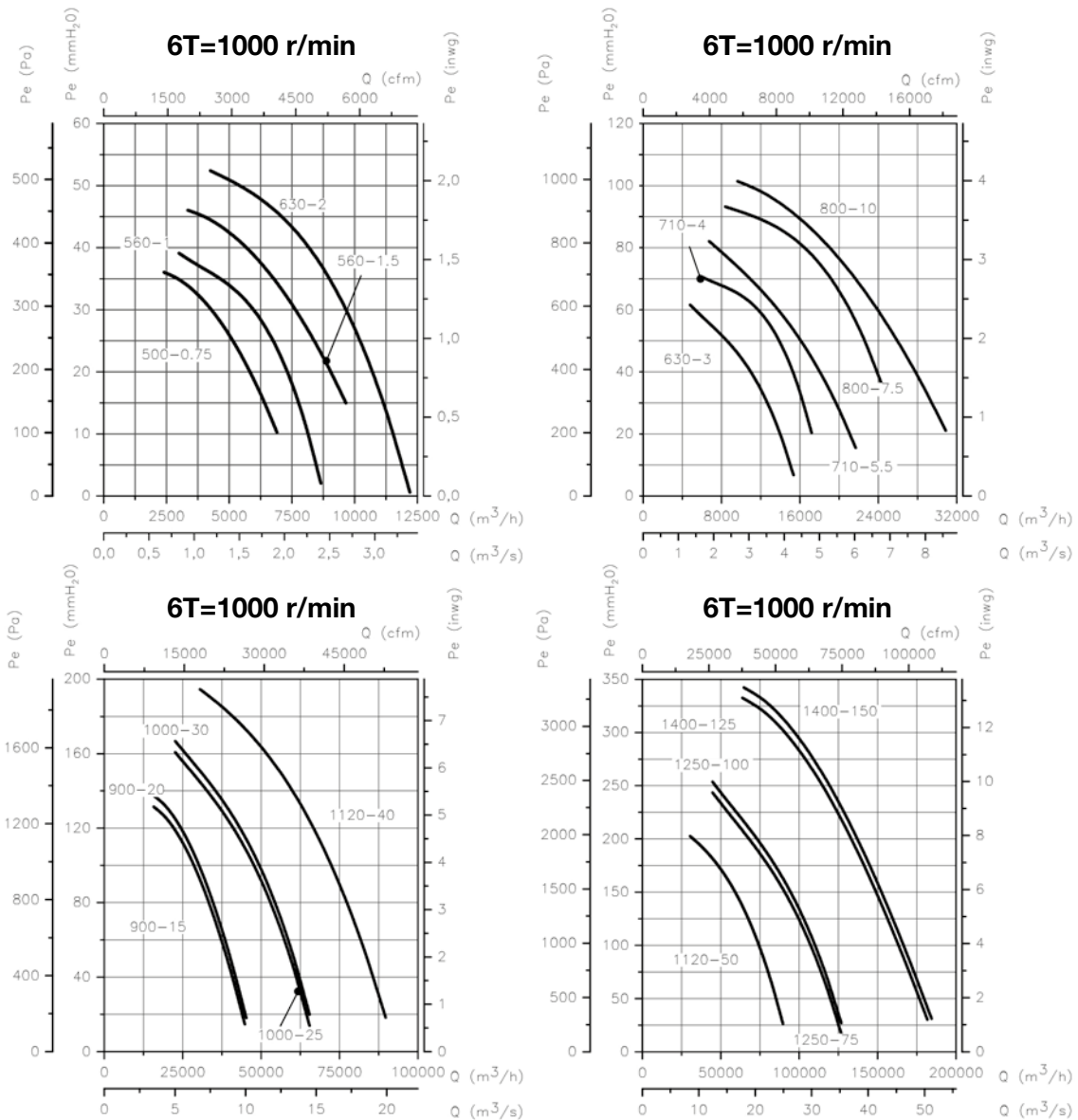
Q= Flow rate in m³/h, m³/s and cfm Pe= Static pressure in mm H₂O, Pa and inwg



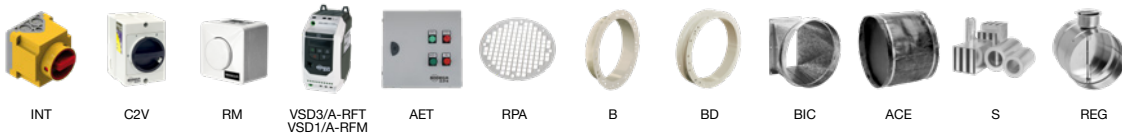
LARGE SERIES

Characteristic curves

Q= Flow rate in m³/h, m³/s and cfm Pe= Static pressure in mm H₂O, Pa and inwg



Accessories



LARGE SERIES

BELT-DRIVEN MOTOR

CMRS-X

Belt driven fans, equipped with an electric motor, a set of pulleys, belts and protectors standardized according to ISO-13857
Designed for clean or slightly dusty air



- Sizes over 1600 are supplied with split casing for easy transport.
- Casing continuously welded from size 800 and up.

Motor:

- IE3 efficiency motors.
- Class F motors with ball bearings and IP55 protection.
- Three-phase 230/400 V 50 Hz (up to 4 kW) and 400/690 V 50 Hz (powers greater than 4 kW).
- Maximum temperature of air to be carried: -25 °C +90 °C.

Finishing:

- Anti-corrosive finish in polyester resin, polymerised at 190 °C, after degreasing with phosphate-free nanotechnology treatment.

On request:

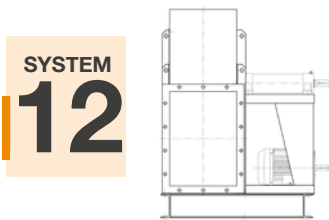
- Special windings for different voltages.
- Fan prepared to transport air up to +300 °C.
- Stainless steel fan.
- ATEX certified Category 2.
- System 8 elastic coupling.

Fan:

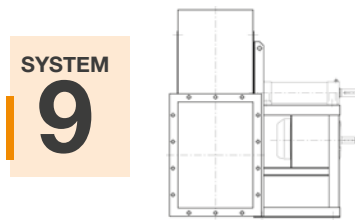
- Sheet steel casing.
- Backward curved impeller in extremely robust sheet steel, specially designed for clean or dusty air.
- Engine mounted on general bench.
- Belt driven fan.
- Fitted with inspection hatch, except models 350, 400, 450, 500 and 560.
- With inspection and cleaning hatch from size 560 and up.

*The images are provided only for illustrative purposes, the product may vary depending on its size, specifications and position.

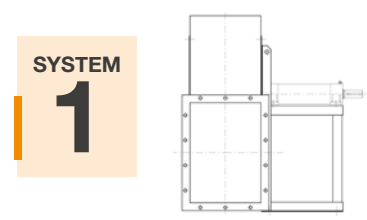
Belt-driven motor construction method



Transmission drive, identical to SYSTEM 1, with the motor and fan mounted on the common bench. Motor positions "W" or "Z" and exceptionally "X" or "Y".



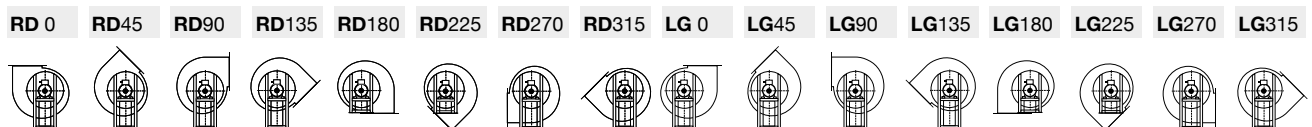
Transmission drive, identical to SYSTEM 1, with the motor mounted on the side of the pedestal, in position "W" or "Z".



Transmission drive, impeller mounted on the support shaft. Support mounted on the pedestal.

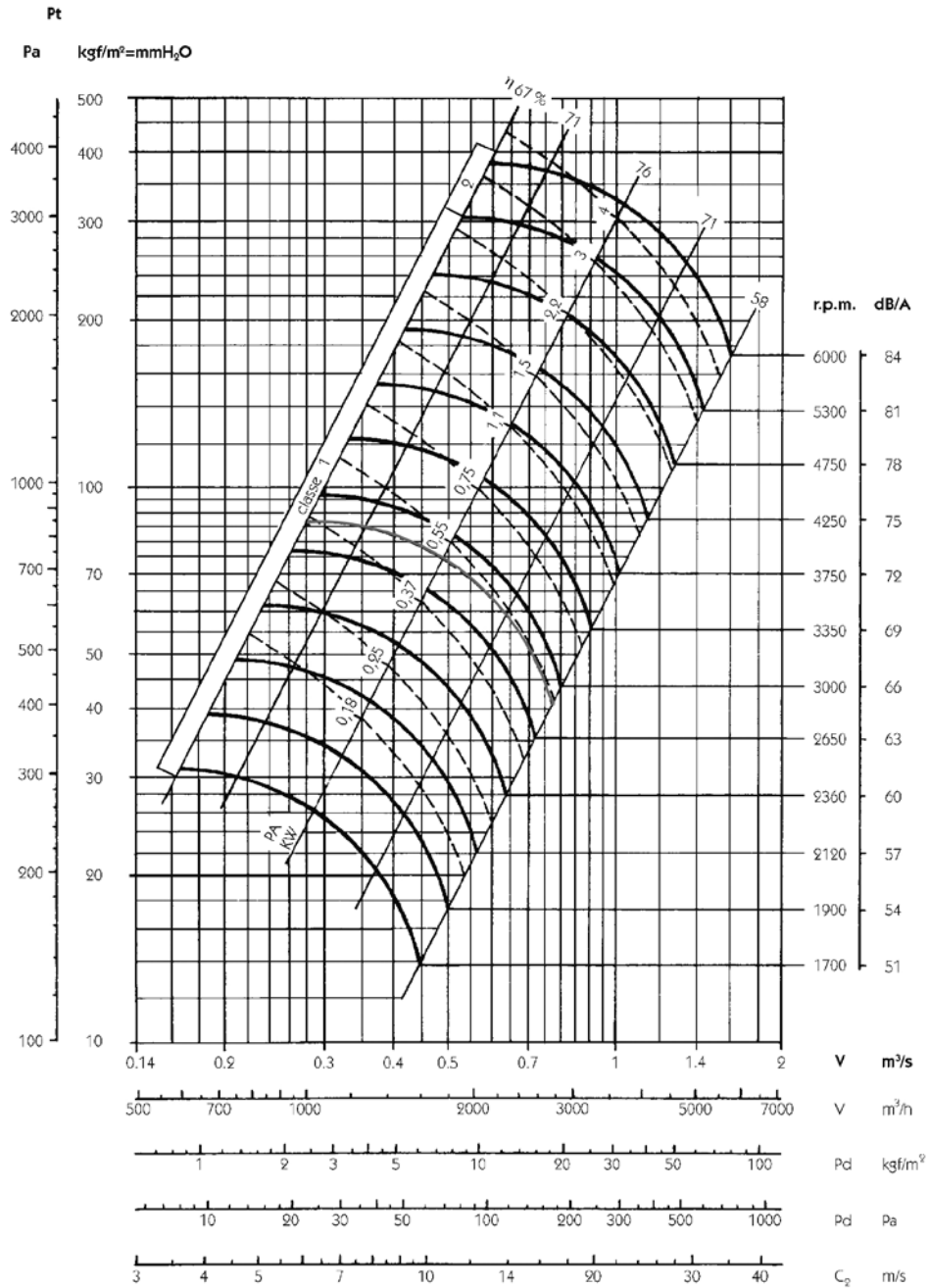
LARGE SERIES

Orientations



Characteristic curves

CMRS-X 250



Flow margin $\pm 5\%$
 Noise level margin + 3... 5 dB
 Margin of kW absorbed $\pm 3\%$

Outlet characteristics

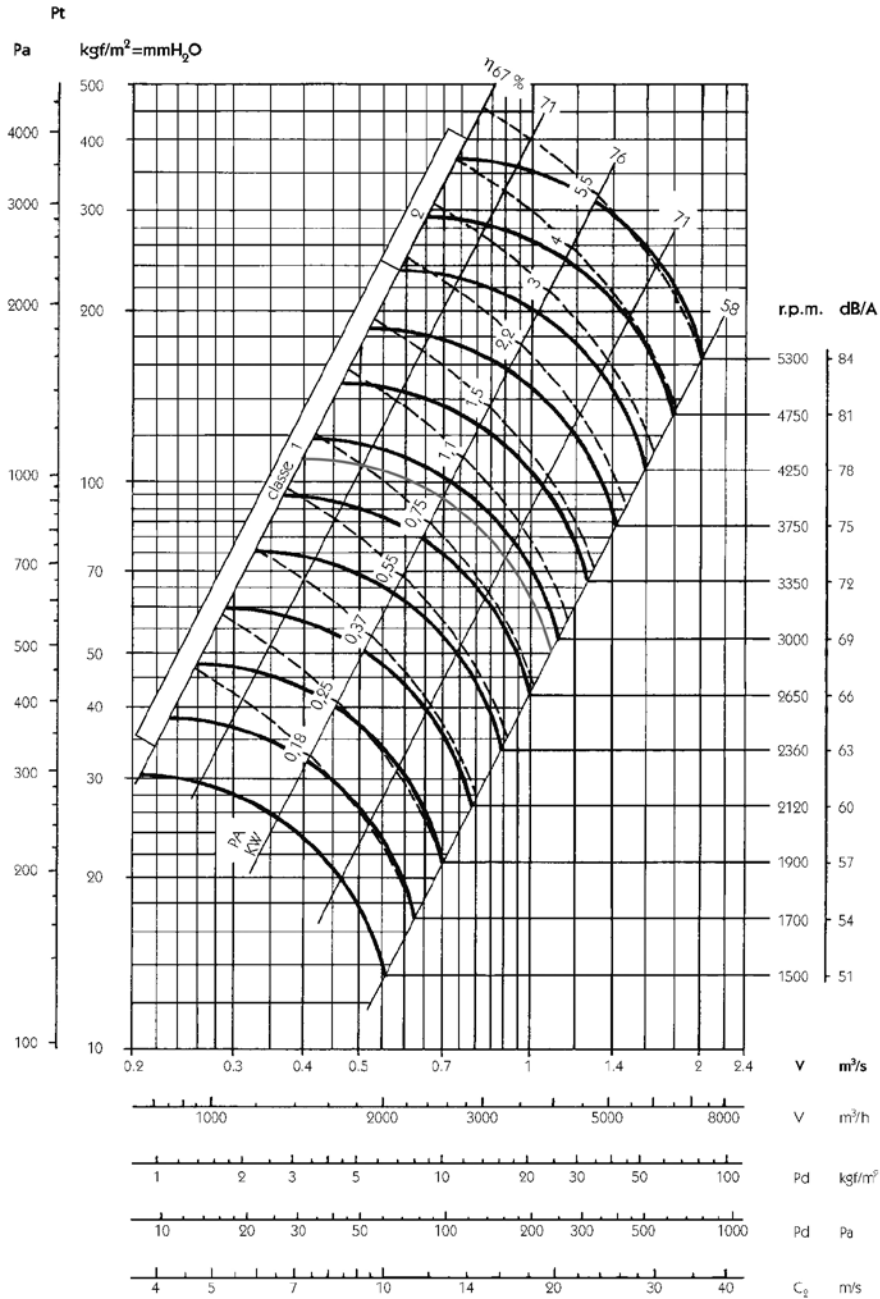
Maximum admissible Rpm

	Class 1	Class 2
$\leq 100^\circ\text{C}$	5000	6300
100 ... 200°C	4500	5600
200 ... 300°C	4000	5000

LARGE SERIES

Characteristic curves

CMRS-X 280



Flow margin ±5%
 Noise level margin + 3... 5 dB
 Margin of kW absorbed ±3%

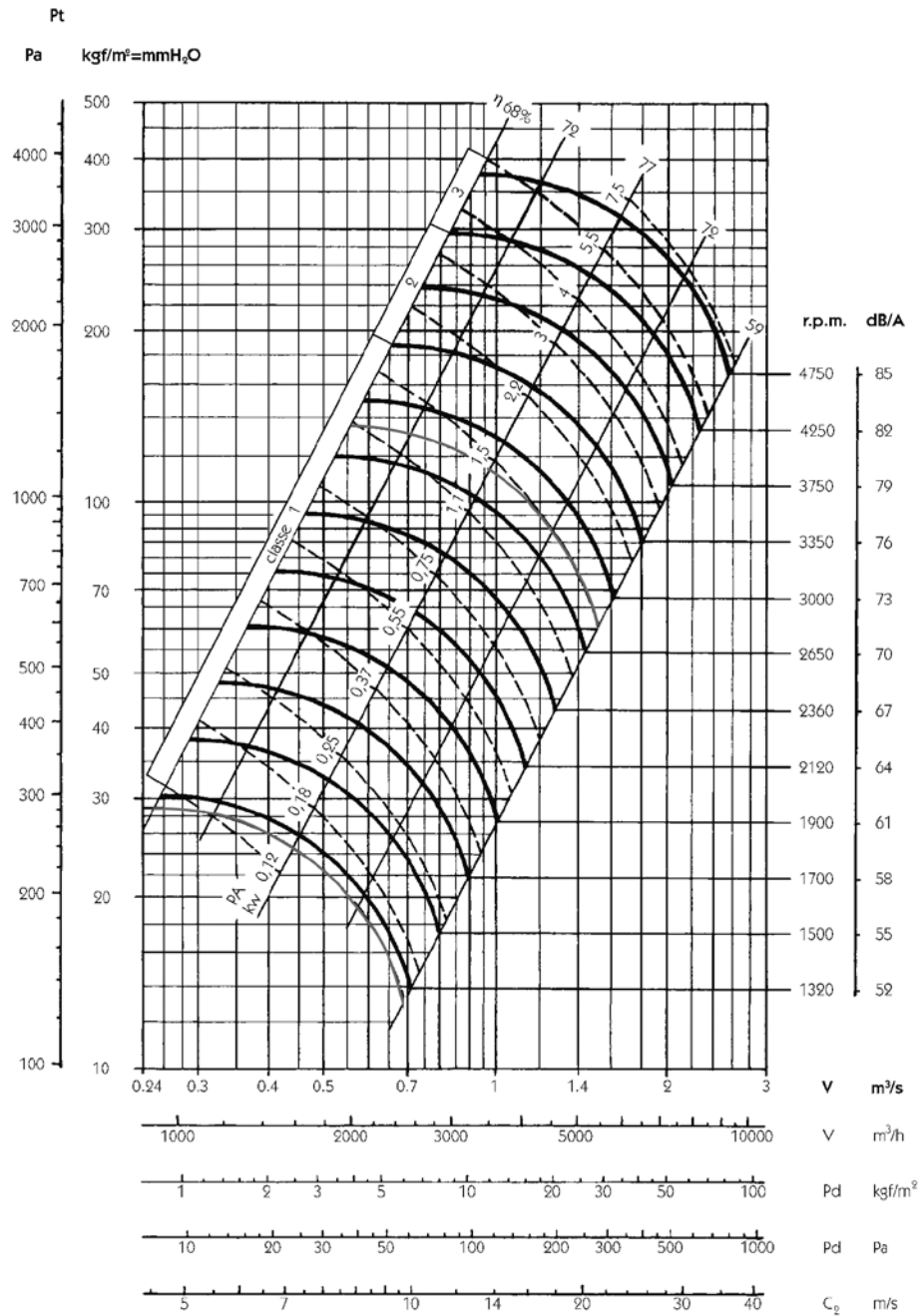
Outlet characteristics

Maximum admissible Rpm

	Class 1	Class 2
≤ 100°C	4000	5000
100...200°C	3550	4500
200...300°C	3150	4000

Characteristic curves

CMRS-X 310



Flow margin ±5%
 Noise level margin + 3... 5 dB
 Margin of kW absorbed ±3%

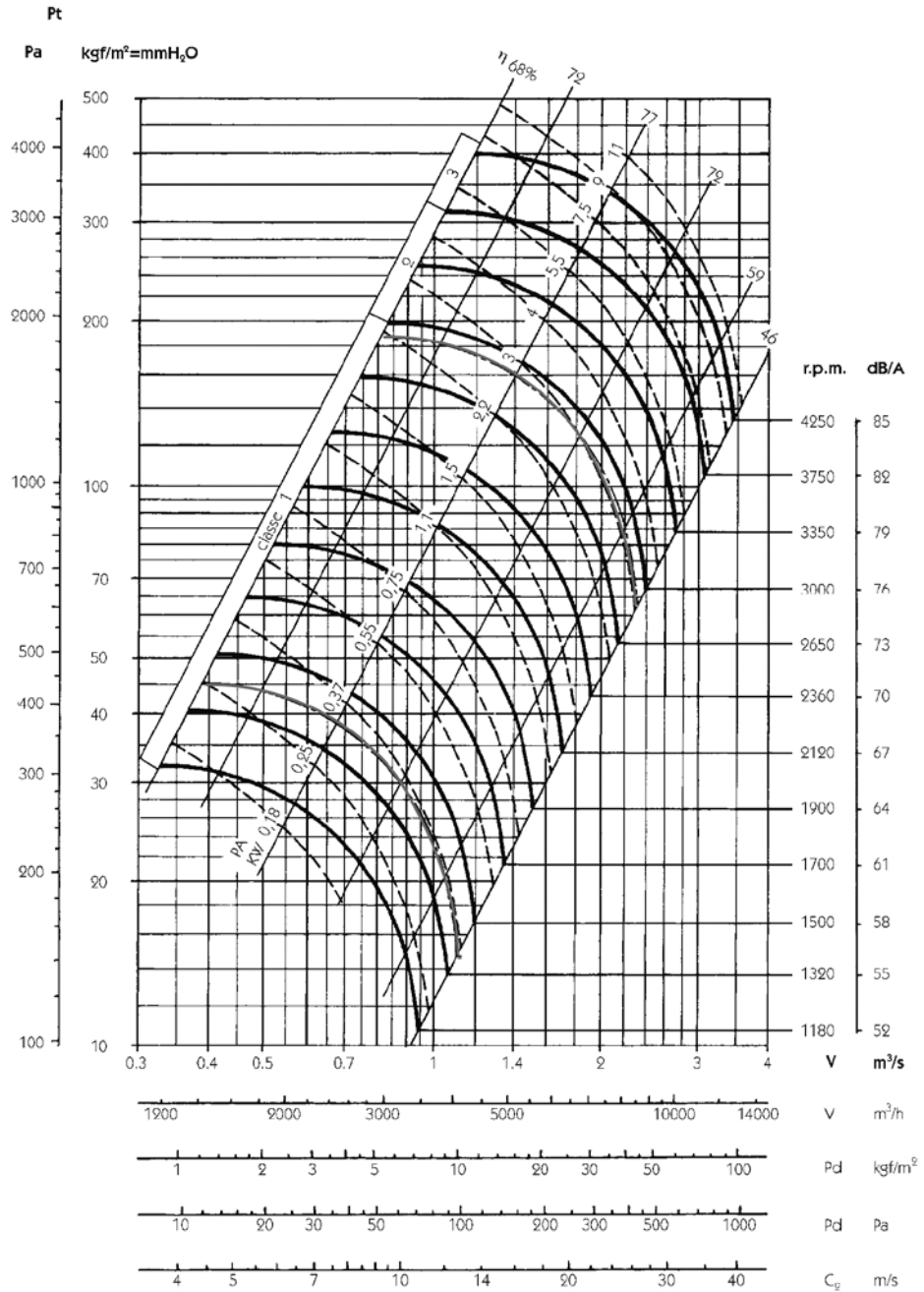
Maximum admissible Rpm

Outlet characteristics

	Class 1	Class 2	Class 3
≤ 100°C	3150	4000	5000
100...200°C	2800	3550	4500
200...300°C	2500	3150	4000

Characteristic curves

CMRS-X 350



LARGE SERIES

Flow margin ±5%
 Noise level margin + 3... 5 dB
 Margin of kW absorbed ±3%

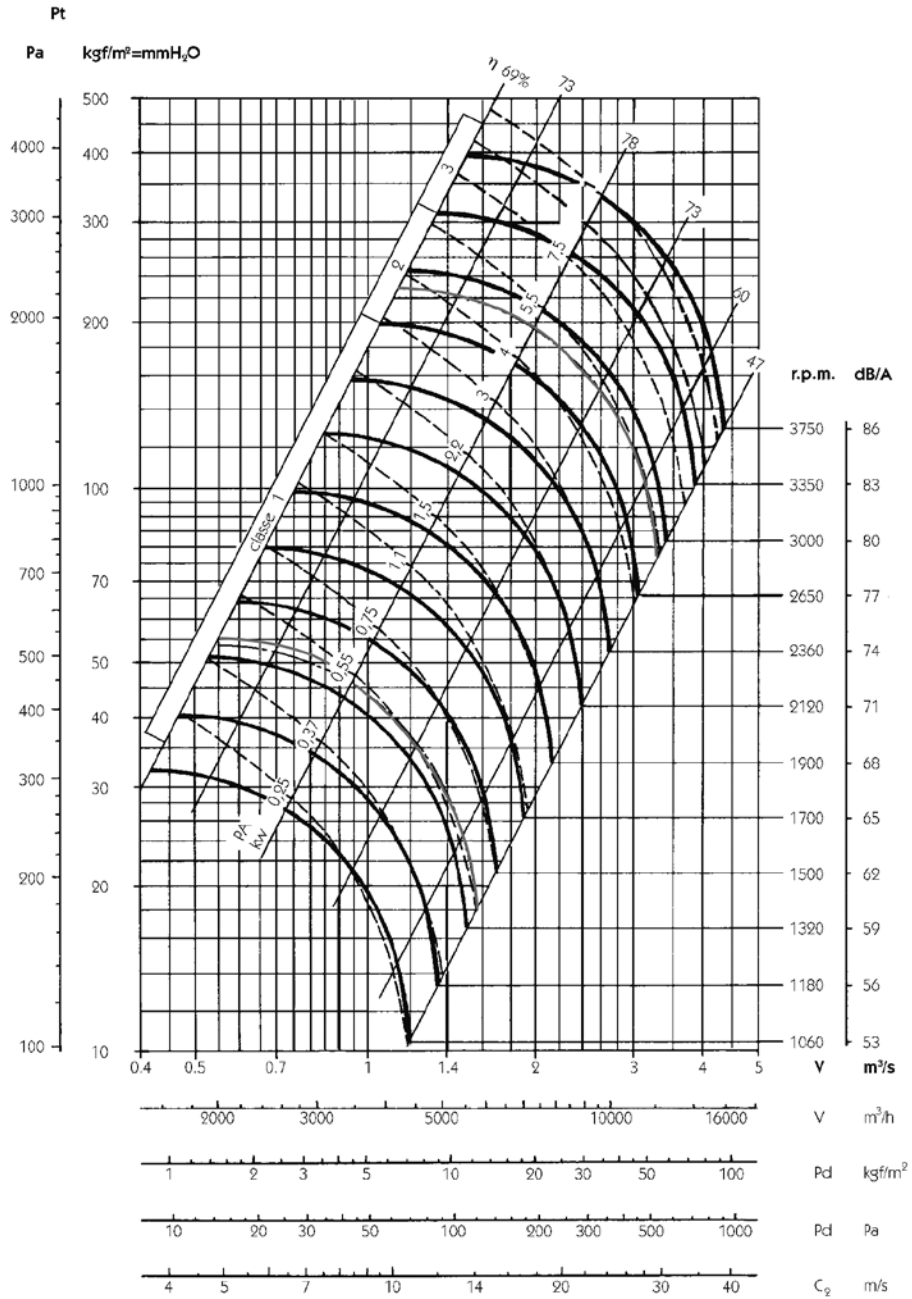
Maximum admissible Rpm

Outlet characteristics

	Class 1	Class 2	Class 3
≤ 100°C	2800	3550	4500
100...200°C	2500	3150	4000
200...300°C	2240	2800	3550

Characteristic curves

CMRS-X 400



Flow margin ±5%
 Noise level margin + 3... 5 dB
 Margin of kW absorbed ±3%

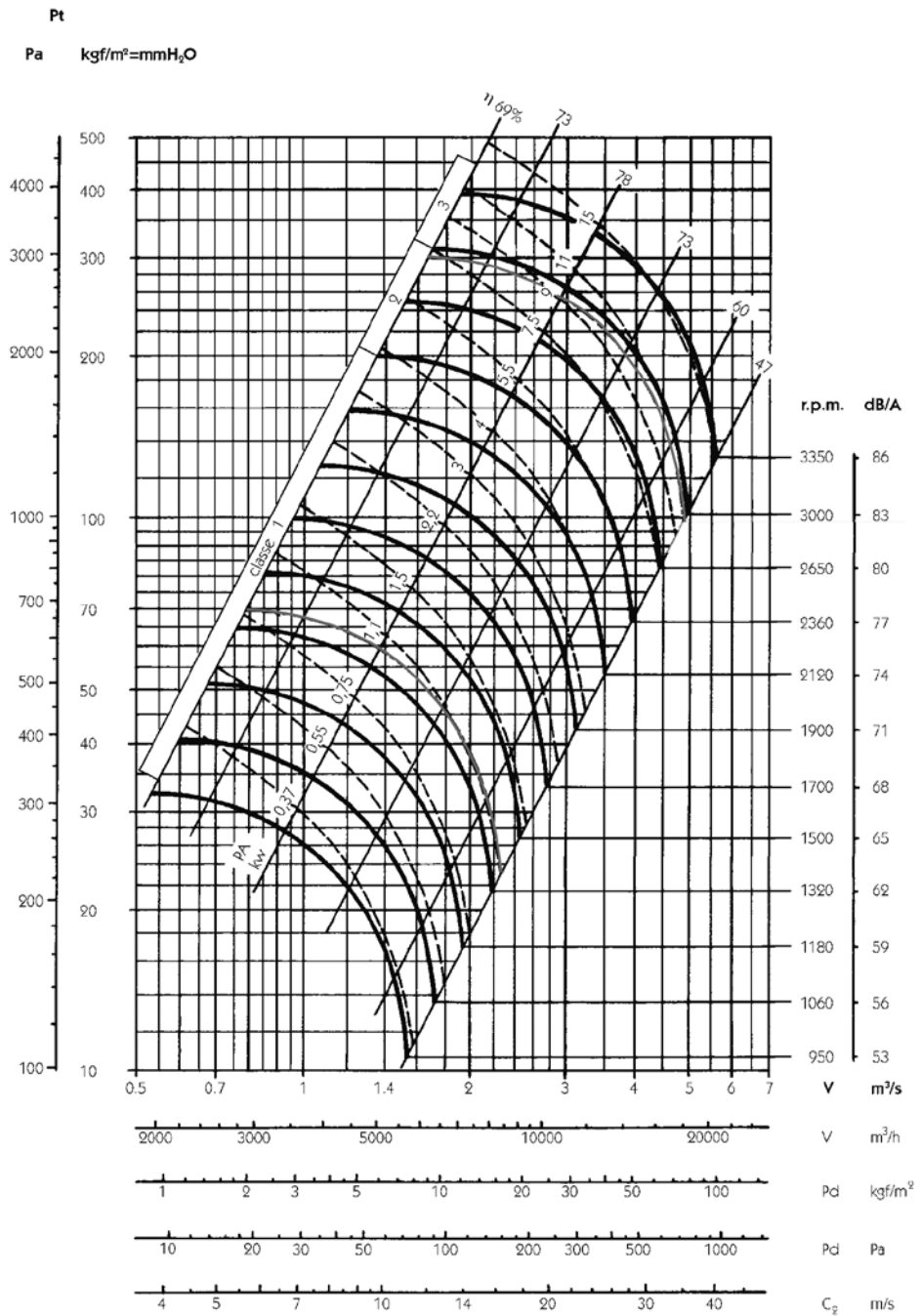
Maximum admissible Rpm

Outlet characteristics

	Class 1	Class 2	Class 3
≤ 100°C	2500	3150	4000
100...200°C	2240	2800	3550
200...300°C	2000	2500	3150

Characteristic curves

CMRS-X 450



Flow margin ±5%
 Noise level margin + 3... 5 dB
 Margin of kW absorbed ±3%

Maximum admissible Rpm

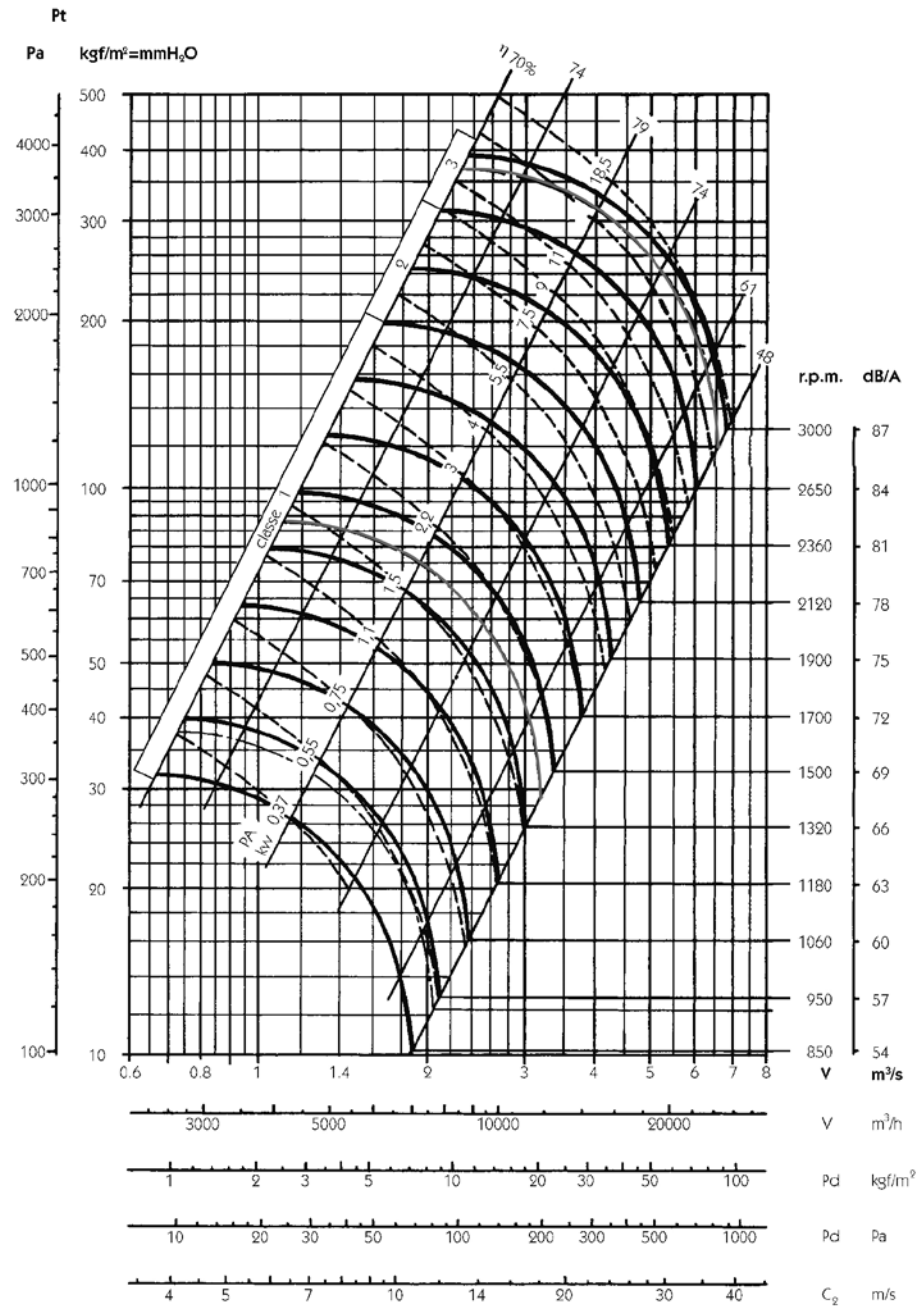
	Class 1	Class 2	Class 3
≤ 100°C	2240	2800	3550
100...200°C	2000	2500	3150
200...300°C	1800	2250	2800

Outlet characteristics

LARGE SERIES

Characteristic curves

CMRS-X 500



Flow margin $\pm 5\%$
 Noise level margin + 3... 5 dB
 Margin of kW absorbed $\pm 3\%$

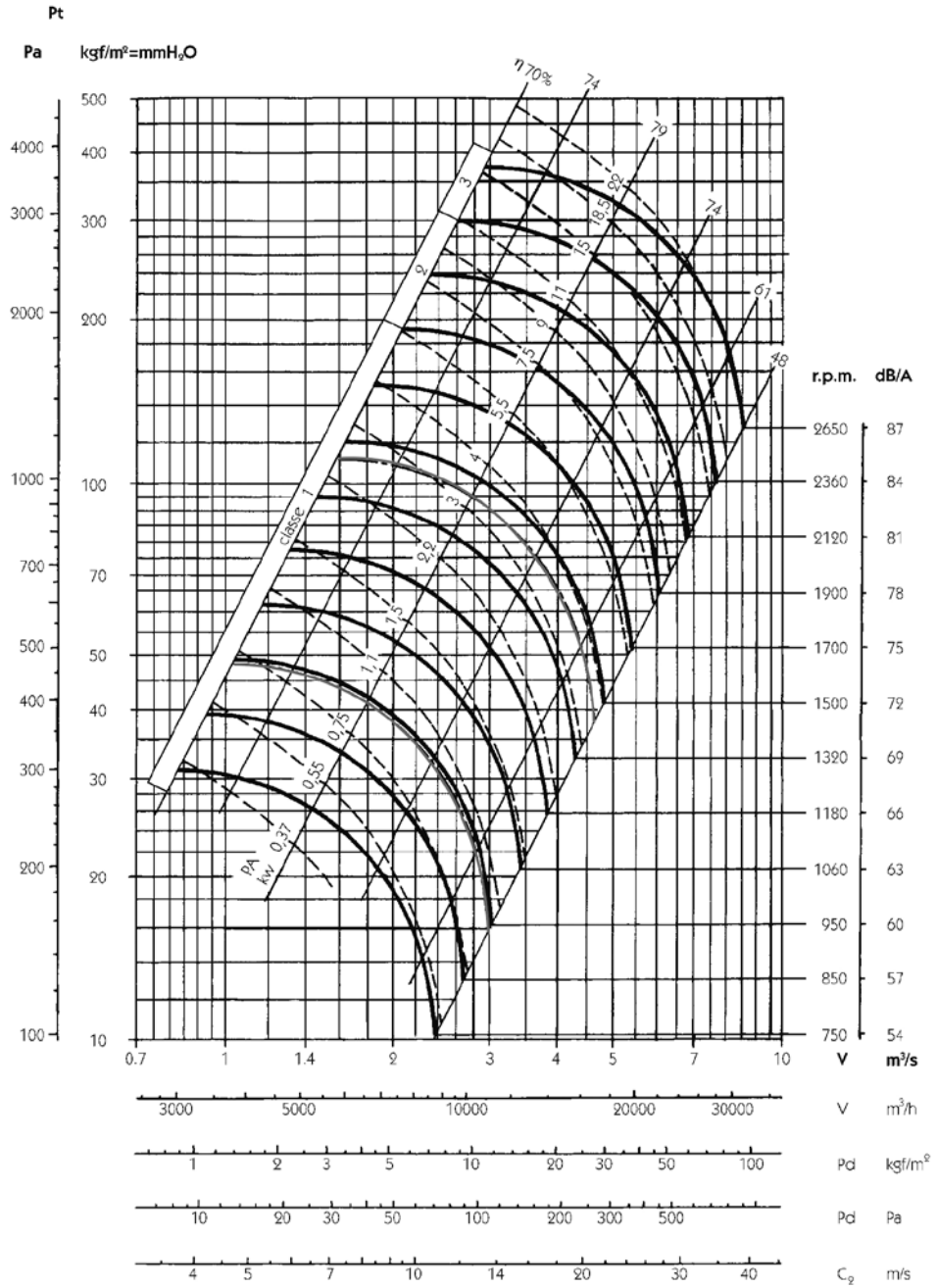
Outlet characteristics

Maximum admissible Rpm

	Class 1	Class 2	Class 3
$\leq 100^\circ\text{C}$	2000	2500	3150
100...200°C	1800	2240	2800
200...300°C	1600	2000	2500

Characteristic curves

CMRS-X 560



Flow margin ±5%
 Noise level margin + 3... 5 dB
 Margin of kW absorbed ±3%

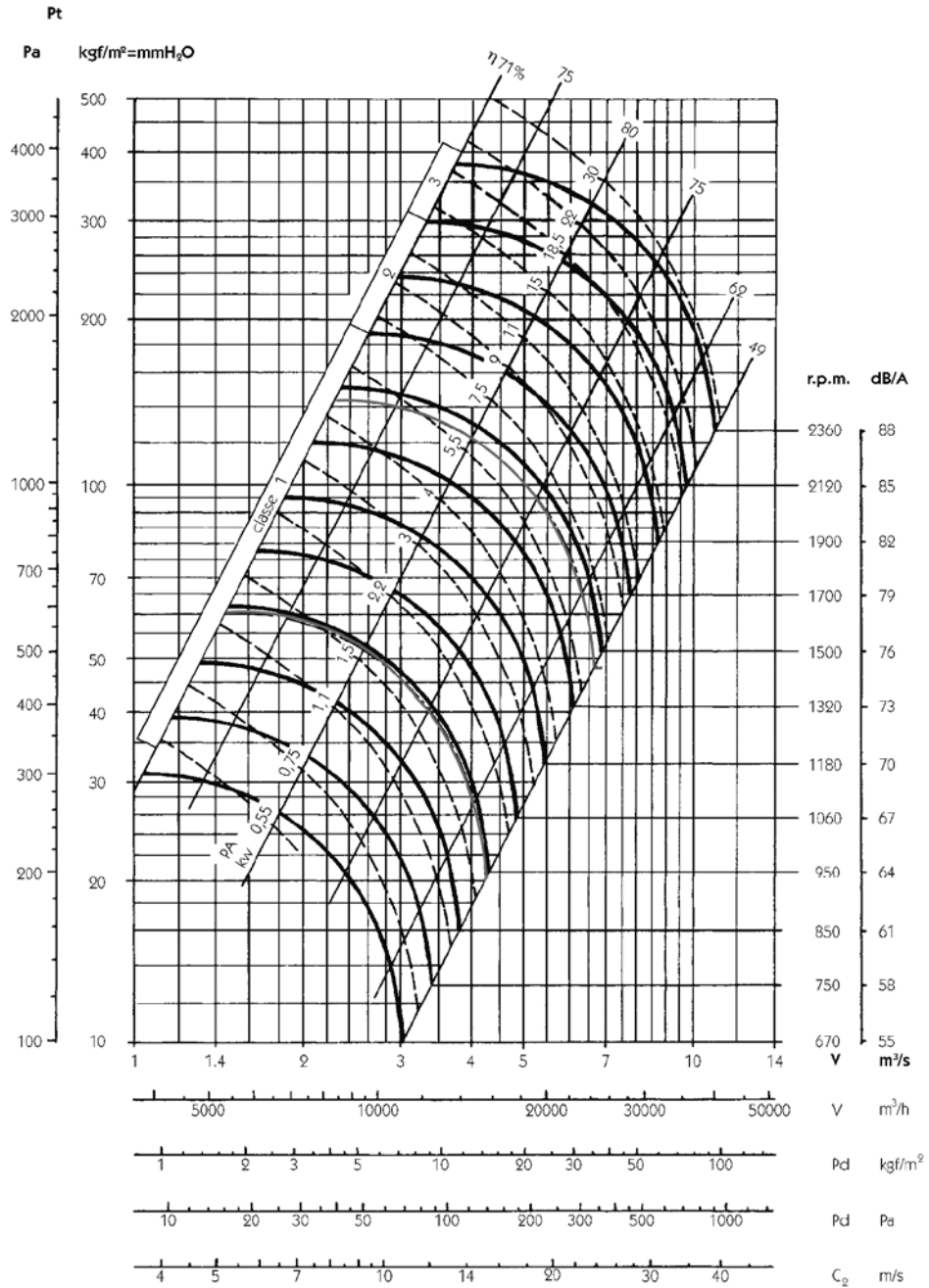
Maximum admissible Rpm

Outlet characteristics

	Class 1	Class 2	Class 3
≤ 100°C	1800	2240	2800
100...200°C	1600	2000	2500
200...300°C	1400	1800	2240

Characteristic curves

CMRS-X 630



Flow margin $\pm 5\%$
 Noise level margin + 3... 5 dB
 Margin of kW absorbed $\pm 3\%$

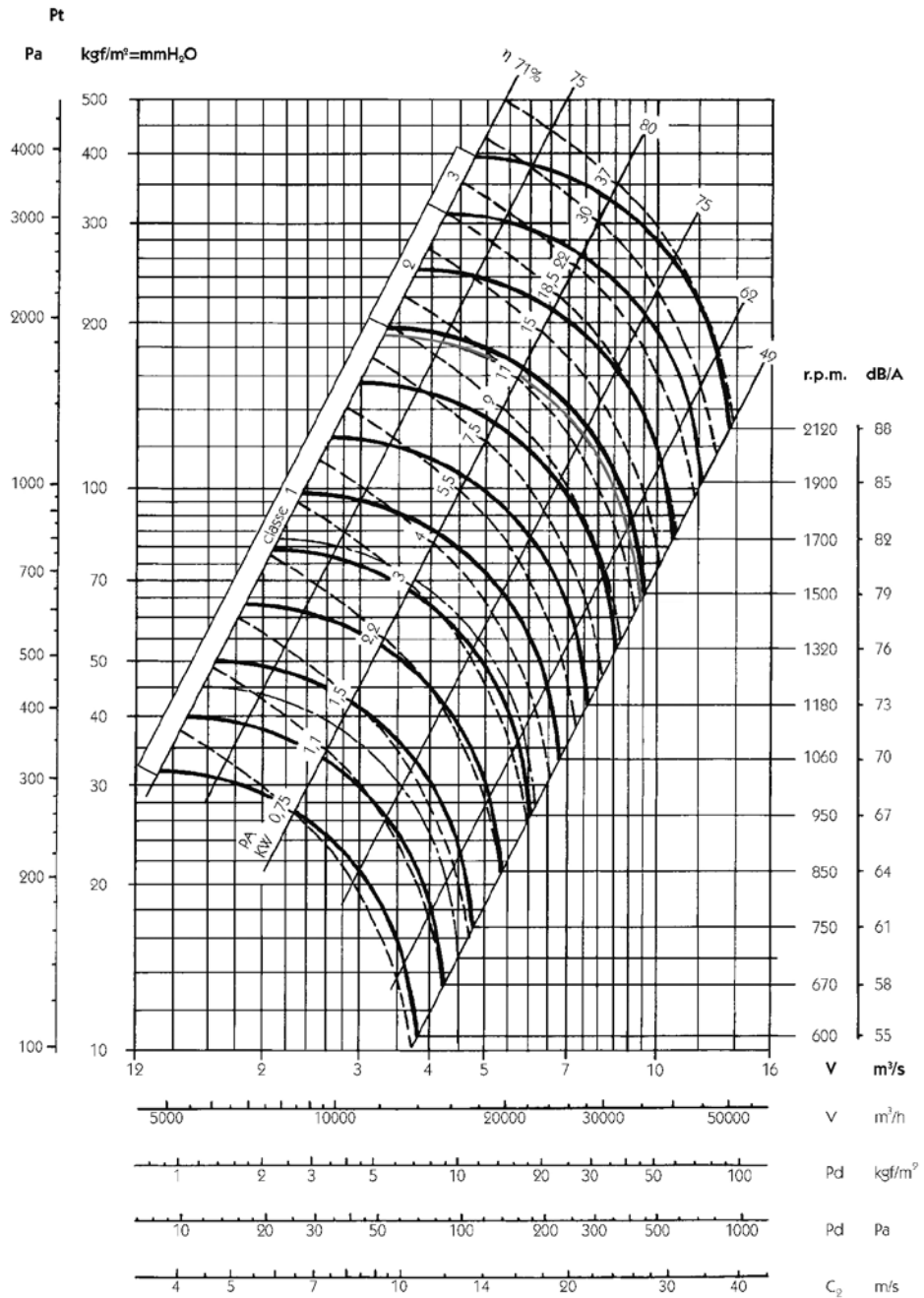
Outlet characteristics

Maximum admissible Rpm

	Class 1	Class 2	Class 3
$\leq 100^\circ\text{C}$	1600	2000	2500
100...200°C	1400	1800	2240
200...300°C	1250	1600	2000

Characteristic curves

CMRS-X 710



LARGE SERIES

Flow margin ±5%
 Noise level margin + 3... 5 dB
 Margin of kW absorbed ±3%

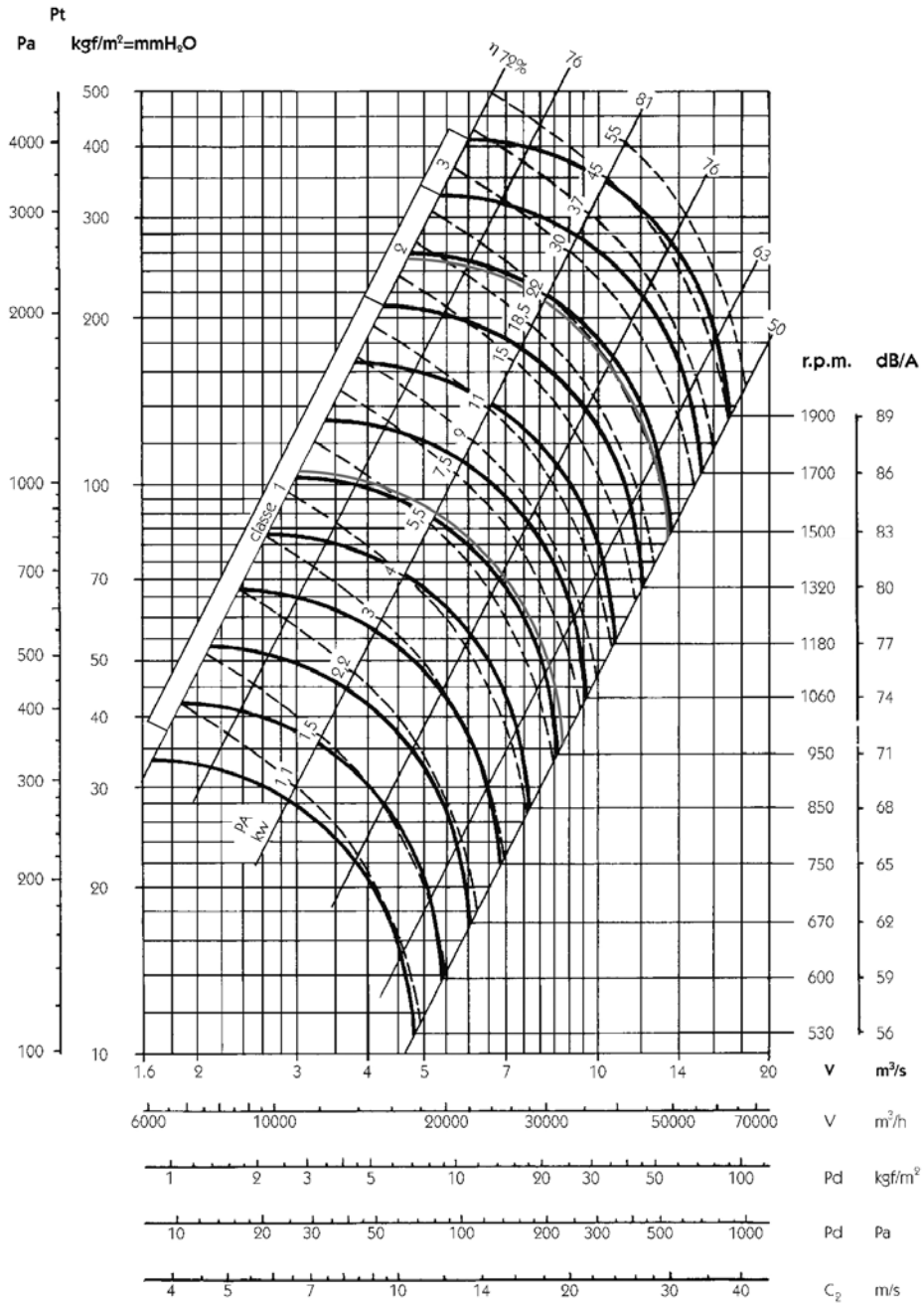
Maximum admissible Rpm

Outlet characteristics

	Class 1	Class 2	Class 3
≤ 100°C	1400	1800	2240
100...200°C	1250	1600	2000
200...300°C	1120	1400	1800

Characteristic curves

CMRS-X 800



Flow margin $\pm 5\%$
 Noise level margin + 3... 5 dB
 Margin of kW absorbed $\pm 3\%$

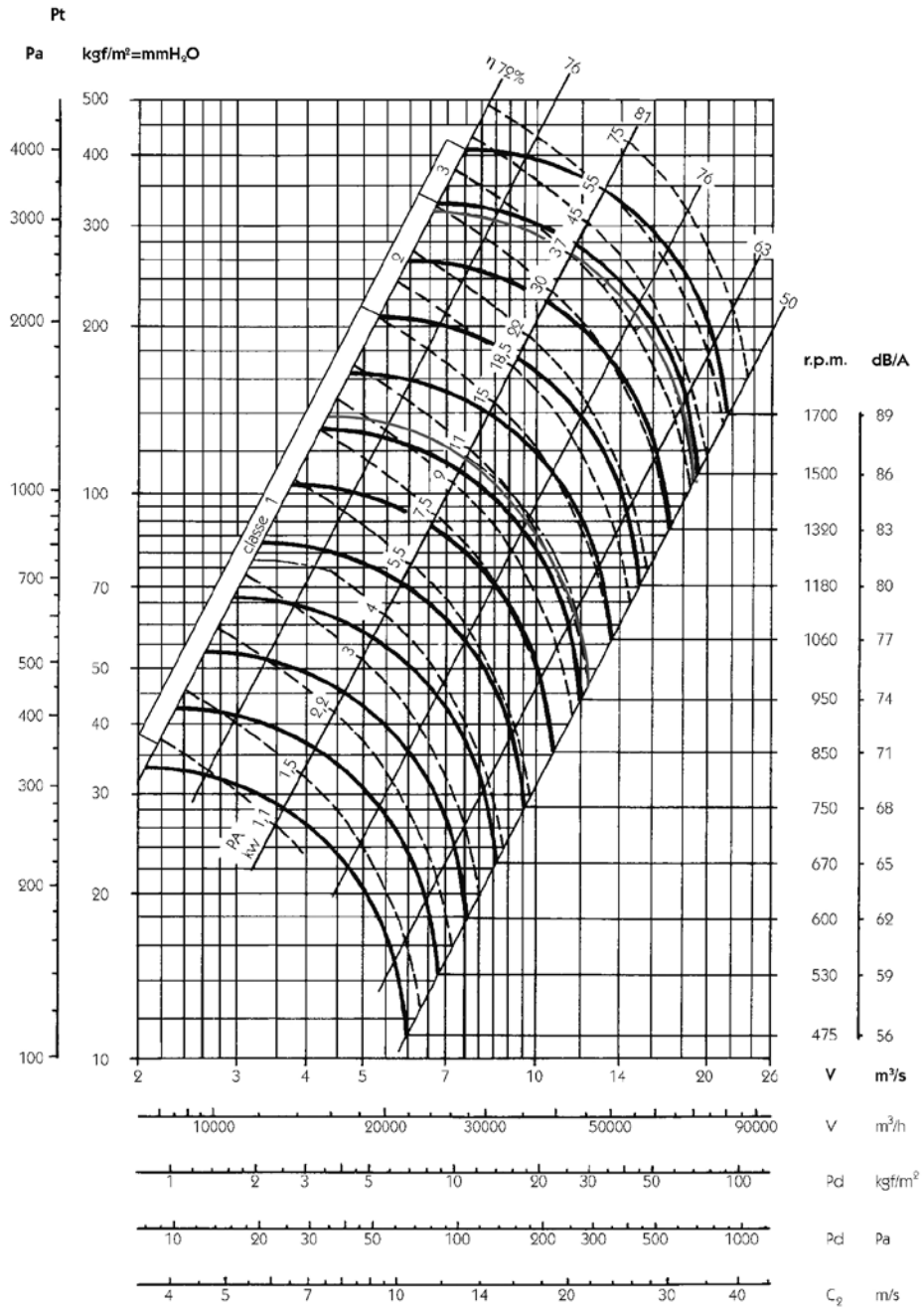
Maximum admissible Rpm

	Class 1	Class 2	Class 3
$\leq 100^{\circ}\text{C}$	1250	1600	2000
100...200 $^{\circ}\text{C}$	1120	1400	1800
200...300 $^{\circ}\text{C}$	1000	1250	1600

Outlet characteristics

Characteristic curves

CMRS-X 900



Flow margin ±5%
 Noise level margin + 3... 5 dB
 Margin of kW absorbed ±3%

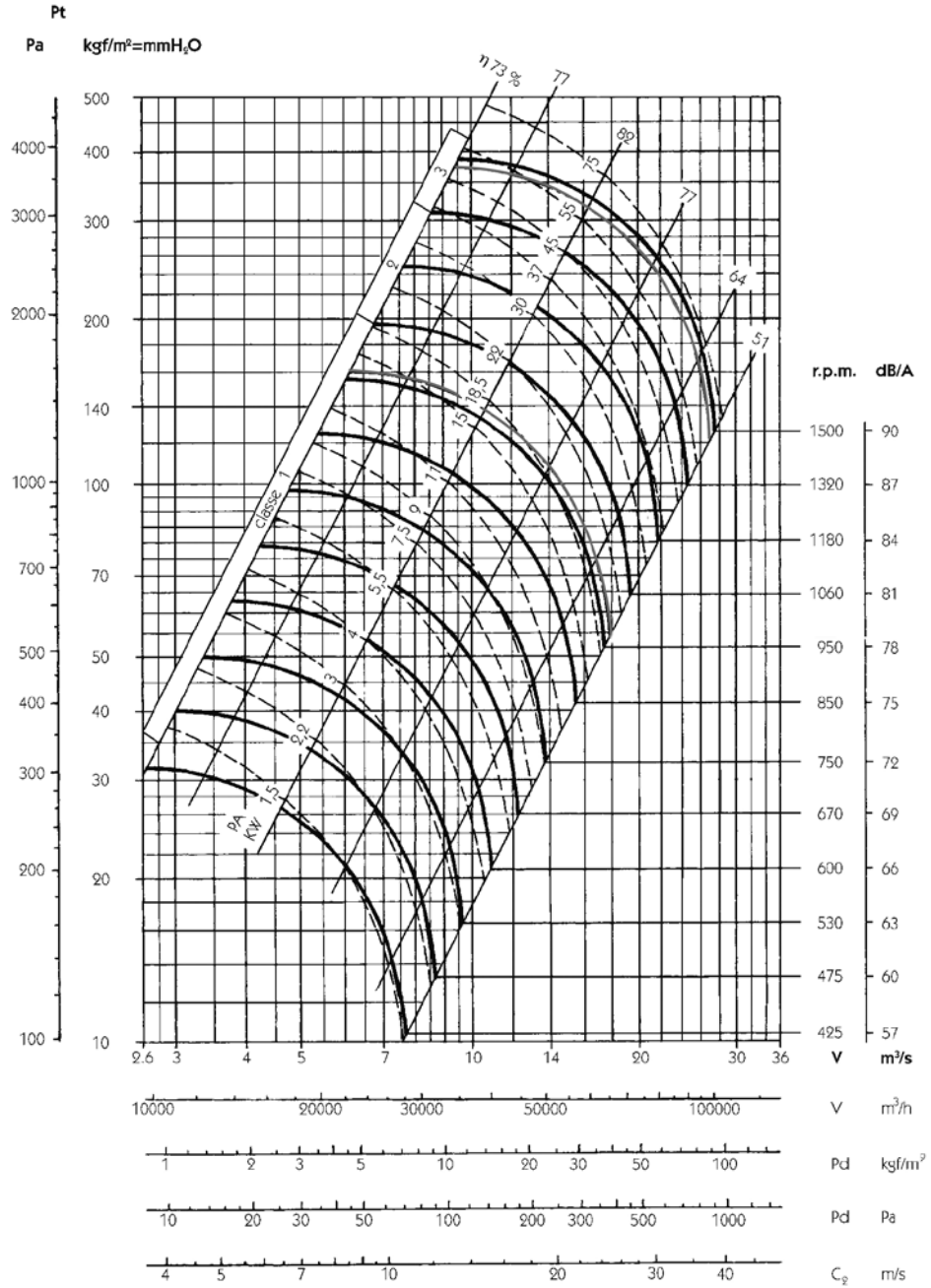
Maximum admissible Rpm

	Class 1	Class 2	Class 3
≤ 100°C	1120	1400	1800
100...200°C	1000	1250	1600
200...300°C	900	1120	1400

Outlet characteristics

Characteristic curves

CMRS-X 1000



Flow margin ±5%
 Noise level margin + 3... 5 dB
 Margin of kW absorbed ±3%

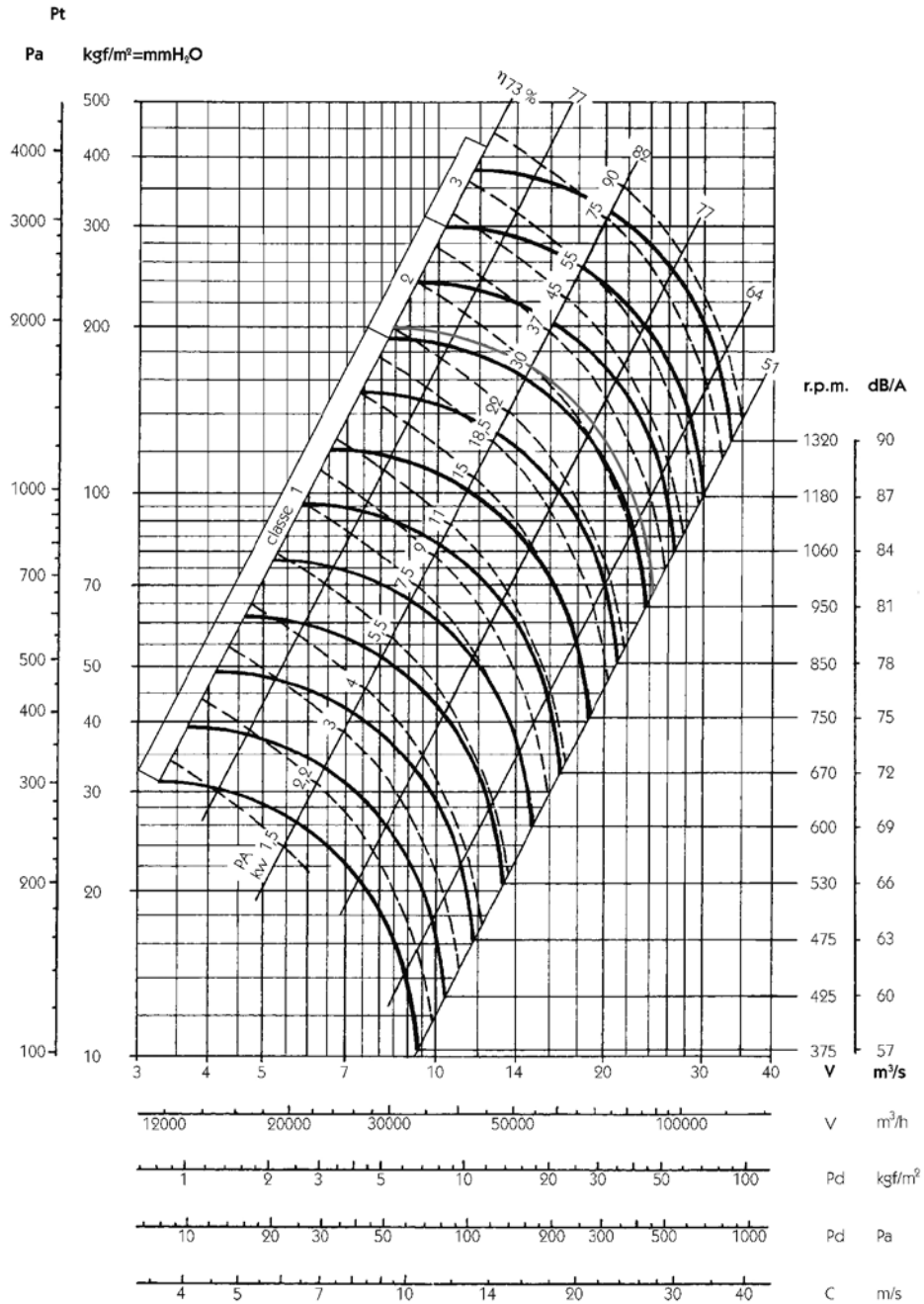
Maximum admissible Rpm

Outlet characteristics

	Class 1	Class 2	Class 3
≤ 100°C	1000	1250	1600
100...200°C	900	1120	1400
200...300°C	800	1000	1250

Characteristic curves

CMRS-X 1120



Flow margin ±5%
 Noise level margin + 3... 5 dB
 Margin of kW absorbed ±3%

Maximum admissible Rpm

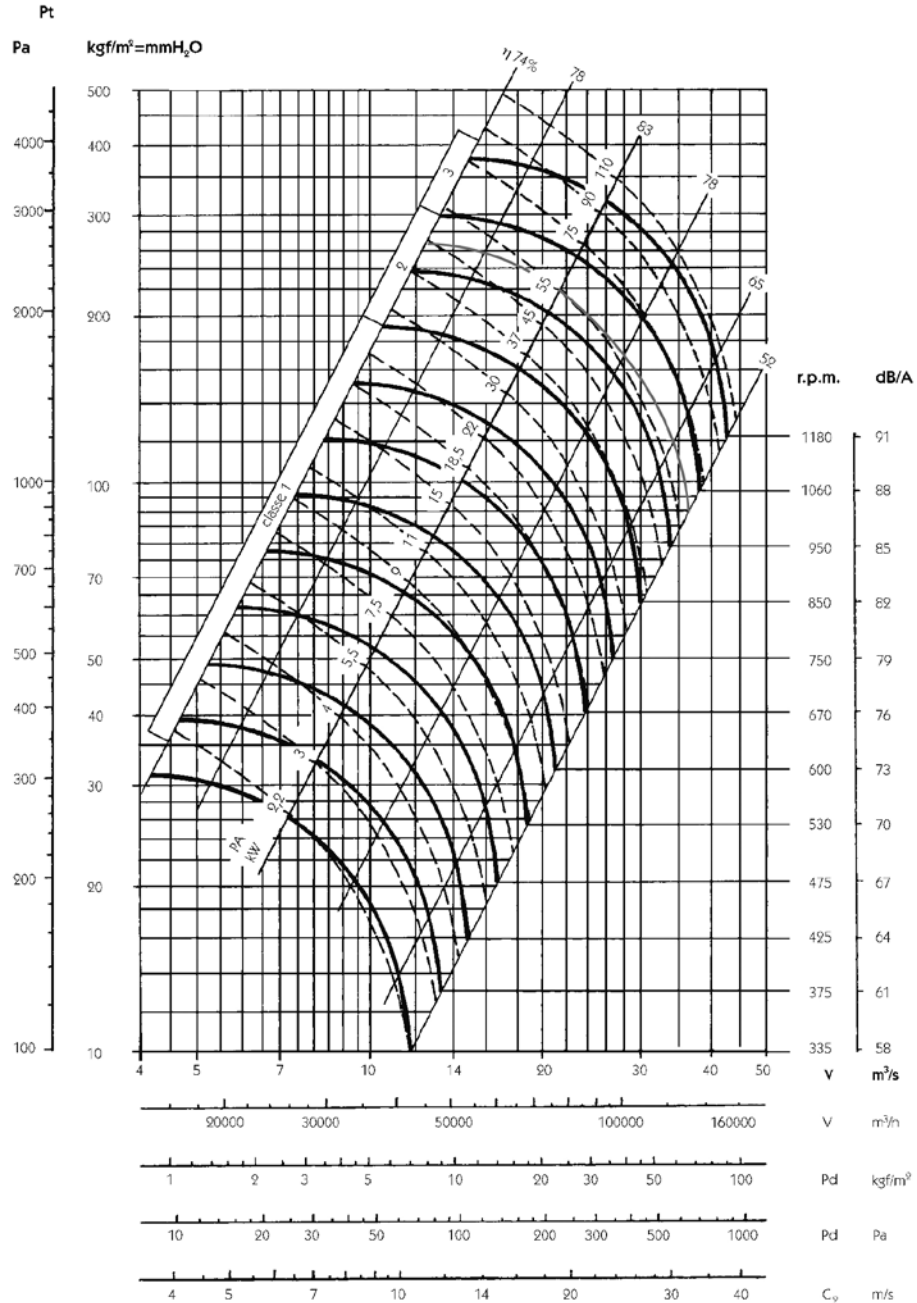
Outlet characteristics

	Class 1	Class 2	Class 3
≤ 100°C	900	1120	1400
100...200°C	800	1000	1250
200...300°C	710	900	1120

LARGE SERIES

Characteristic curves

CMRS-X 1250



Flow margin $\pm 5\%$
 Noise level margin + 3... 5 dB
 Margin of kW absorbed $\pm 3\%$

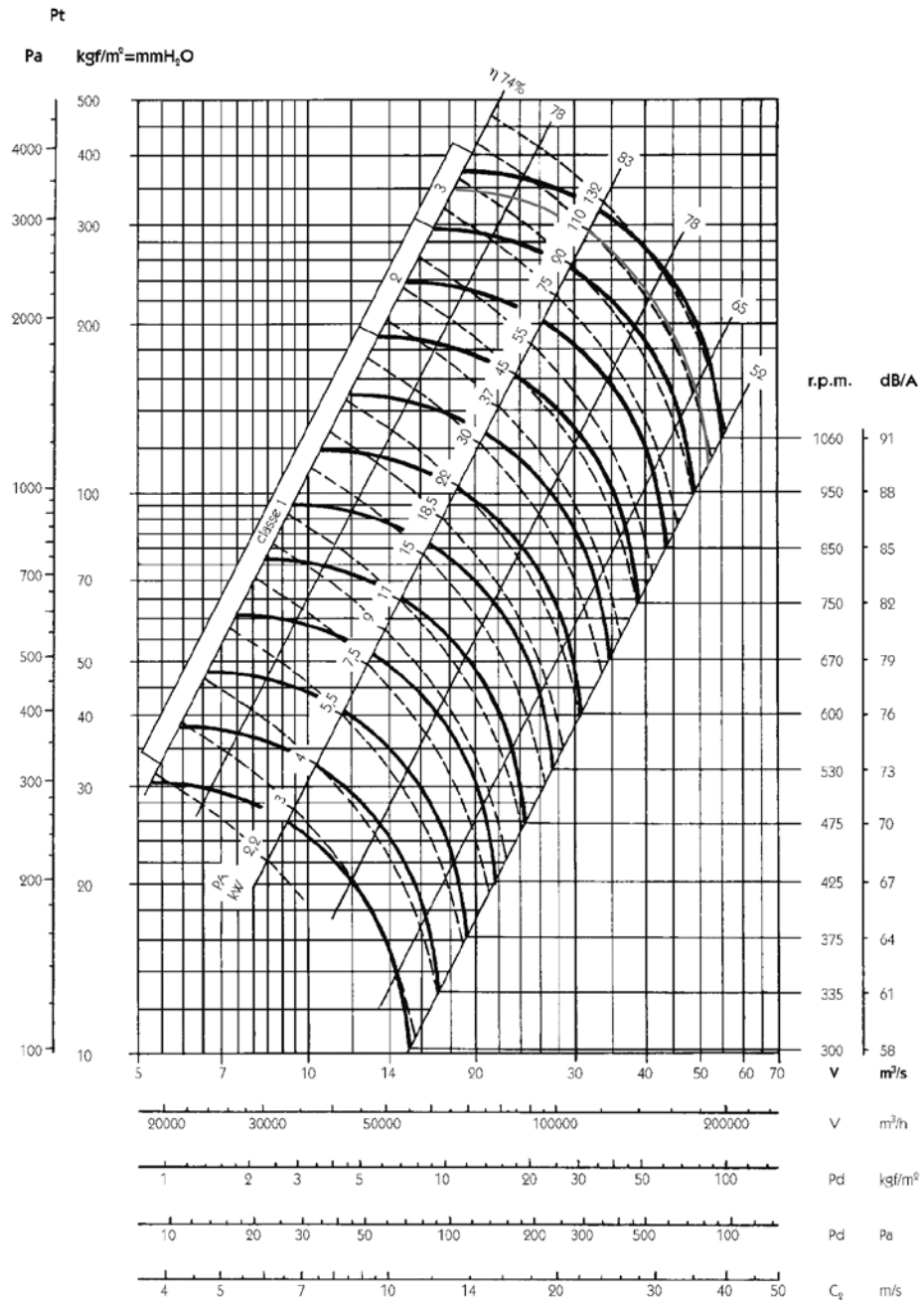
Maximum admissible Rpm

Outlet characteristics

	Class 1	Class 2	Class 3
$\leq 100^\circ\text{C}$	800	1000	1250
100...200°C	710	900	1120
200...300°C	630	800	1000

Characteristic curves

CMRS-X 1400



LARGE SERIES

Flow margin $\pm 5\%$
 Noise level margin + 3... 5 dB
 Margin of kW absorbed $\pm 3\%$

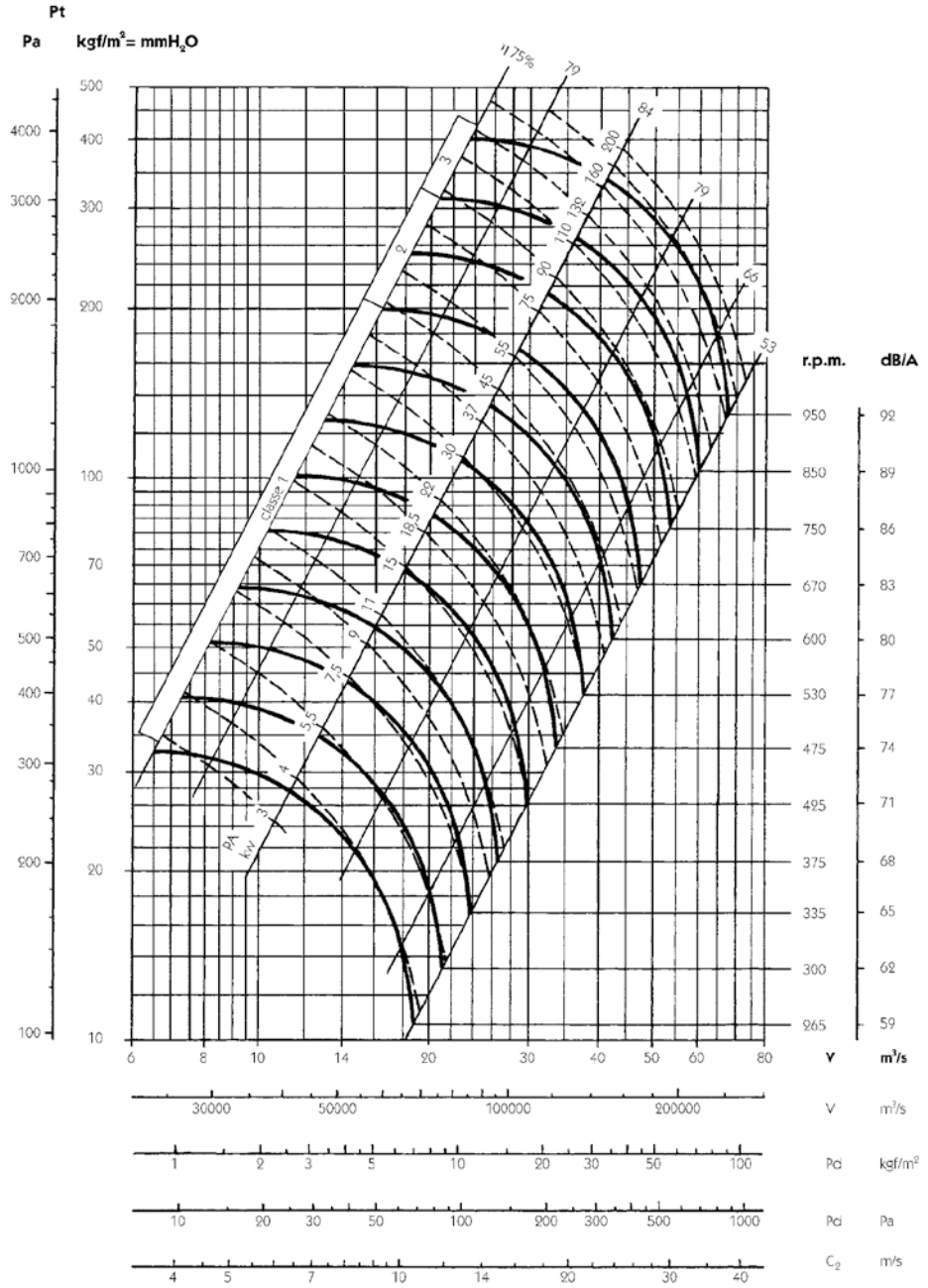
Outlet characteristics

Maximum admissible Rpm

	Class 1	Class 2	Class 3
$\leq 100^\circ\text{C}$	710	900	1120
100...200°C	630	800	1000
200...300°C	560	710	900

Characteristic curves

CMRS-X 1600



Flow margin $\pm 5\%$
 Noise level margin + 3... 5 dB
 Margin of kW absorbed $\pm 3\%$

Outlet characteristics

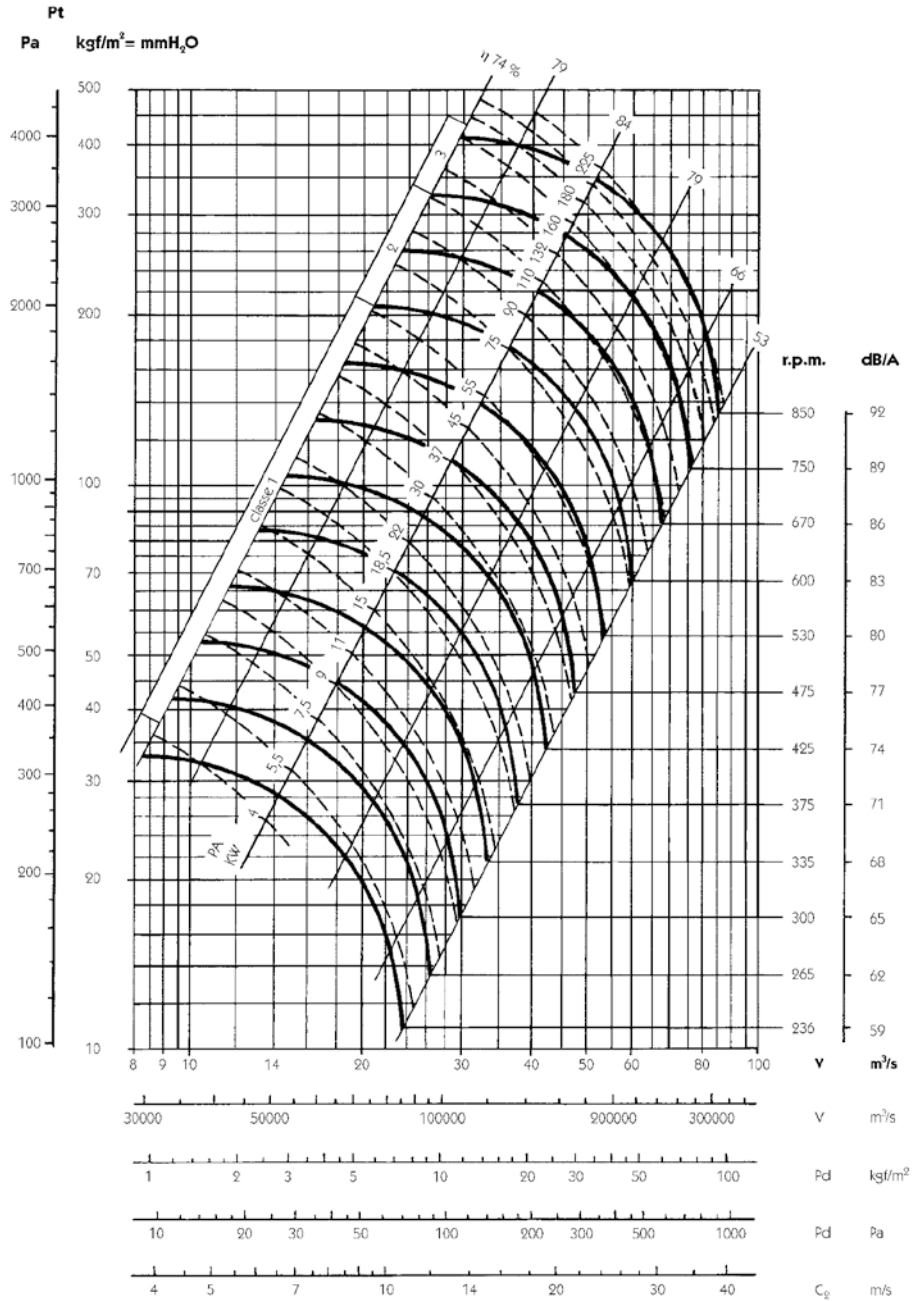
Maximum admissible Rpm

	Class 1	Class 2	Class 3
$\leq 100^\circ\text{C}$	630	800	1000
100...200°C	560	710	900
200...300°C	500	630	800

LARGE SERIES

Characteristic curves

CMRS-X 1800



Flow margin ±5%
 Noise level margin + 3... 5 dB
 Margin of kW absorbed ±3%

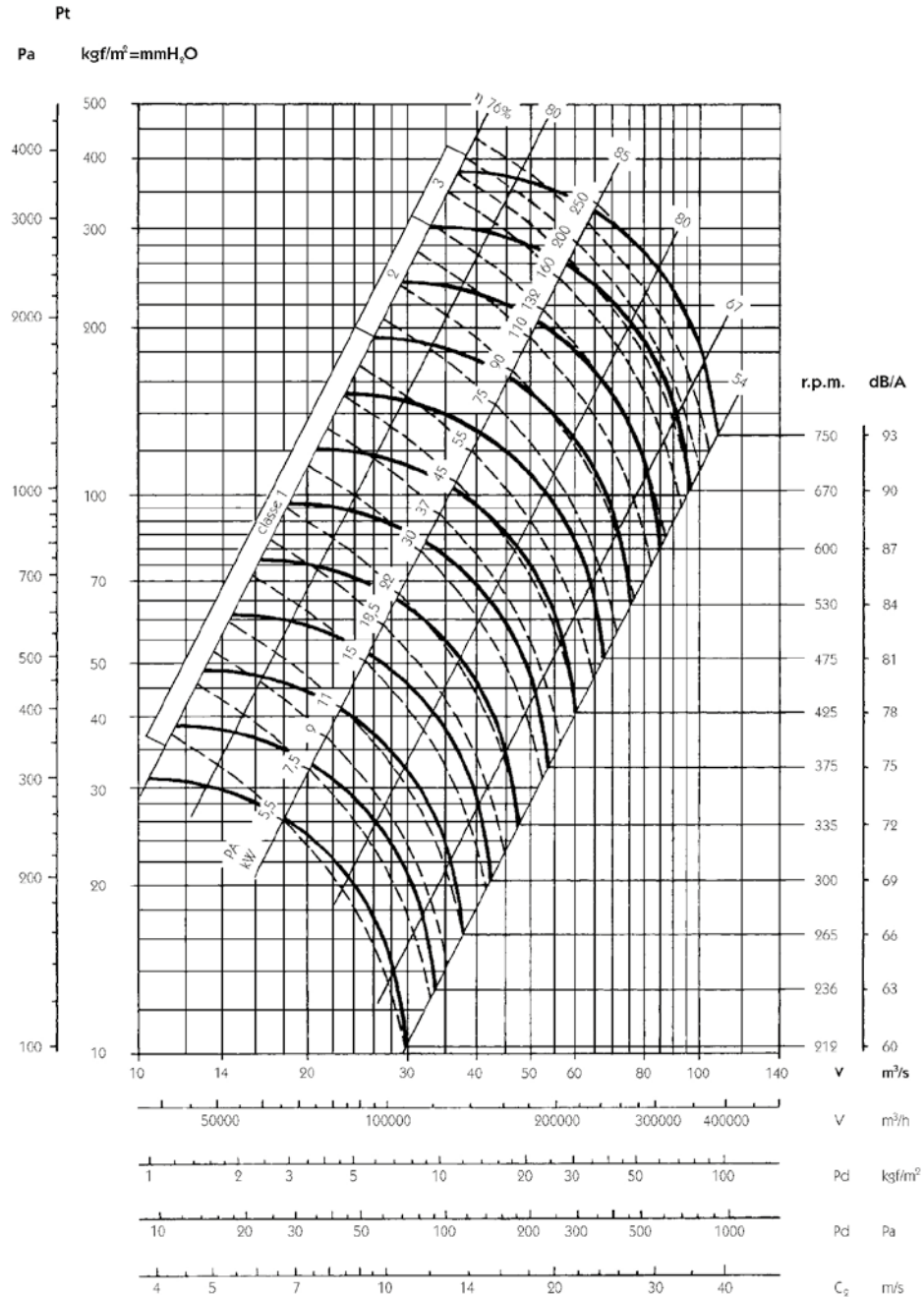
Outlet characteristics

Maximum admissible Rpm

	Class 1	Class 2	Class 3
≤ 100°C	560	710	900
100...200°C	500	630	800
200...300°C	450	560	710

Characteristic curves

CMRS-X 2000



Flow margin $\pm 5\%$
 Noise level margin + 3... 5 dB
 Margin of kW absorbed $\pm 3\%$

Outlet characteristics

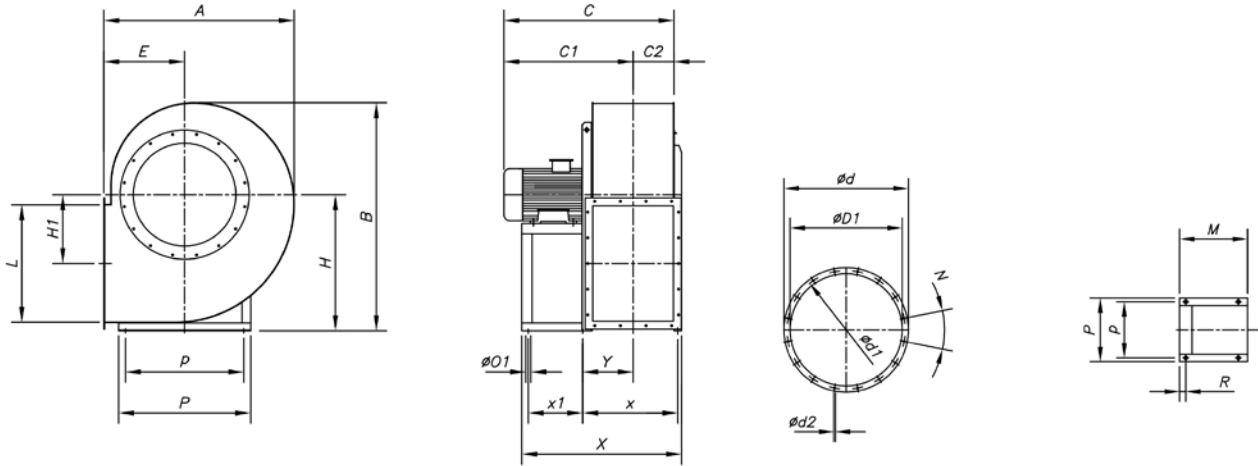
Maximum admissible Rpm

	Class 1	Class 2	Class 3
$\leq 100^\circ\text{C}$	500	630	800
100...200°C	450	560	710
200...300°C	400	500	630

Dimensions mm

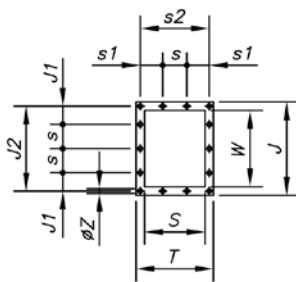
SYSTEM
4

CMRS 350...500



Model	Frame	A	B	C	C1	C2	ØD1	Ød	Ød1	Ød2	N	E	H	H1	L	M	R	ØO1	P	p	X	x1	Y
CMRS-350-2T-4	100 LA/2	592	743	594	464	130	360	434	405	12	8X45°	255	450	215	361	295	23	12	324	289	596	249	156
CMRS-350-4T-0.5	71 B/4	592	743	491	361	130	360	434	405	12	8X45°	255	450	215	361	220	14	10	225	203	521	156	183
CMRS-400-2T-5.5	112 M/2	666	824	641	495	146	405	491	448	12	8X45°	285	500	242	404	310	23	12	324	289	643	264	172
CMRS-400-2T-7.5	132 SA/2	666	824	670	524	146	405	491	448	12	8X45°	285	500	243	404	360	23	12	372	337	693	314	172
CMRS-400-4T-0.75	80 A/4	666	824	540	394	146	405	491	448	12	8X45°	285	500	243	404	225	14	10	225	203	558	166	194
CMRS-450-2T-10	132 SB/2	751	920	744	581	163	455	524	497	12	12X30°	320	560	273	453	360	23	12	372	337	728	314	190
CMRS-450-2T-15	160 MA/2	751	920	812	649	163	455	524	497	12	12X30°	320	560	273	453	470	28	14	440	395	838	414	195
CMRS-450-4T-1	80 B/4	751	920	575	412	163	455	524	497	12	12X30°	320	560	273	453	225	14	10	225	203	593	166	212
CMRS-450-4T-1.5	90 S/4	751	920	600	437	163	455	524	497	12	12X30°	320	560	273	453	260	17	10	260	234	628	183	227
CMRS-500-2T-20	160 MB/2	842	1024	853	670	183	505	580	551	12	12X30°	360	600	301	507	465	28	14	440	395	872	414	210
CMRS-500-2T-25	160 L/2	842	1024	952	769	183	505	580	551	12	12X30°	360	600	301	507	465	28	14	440	395	872	414	210
CMRS-500-4T-2	90 L/4	842	1024	639	456	183	505	580	551	12	12X30°	360	600	301	507	260	17	10	260	234	667	183	247
CMRS-500-4T-3	100 LA/4	842	1024	668	485	183	505	580	551	12	12X30°	360	600	301	507	295	23	12	324	289	702	249	210
CMRS-500-6T-0.75	80 B/6	842	1024	614	431	183	505	580	551	12	12X30°	360	600	301	507	225	14	10	225	203	632	166	232

OUTLET NOZZLE



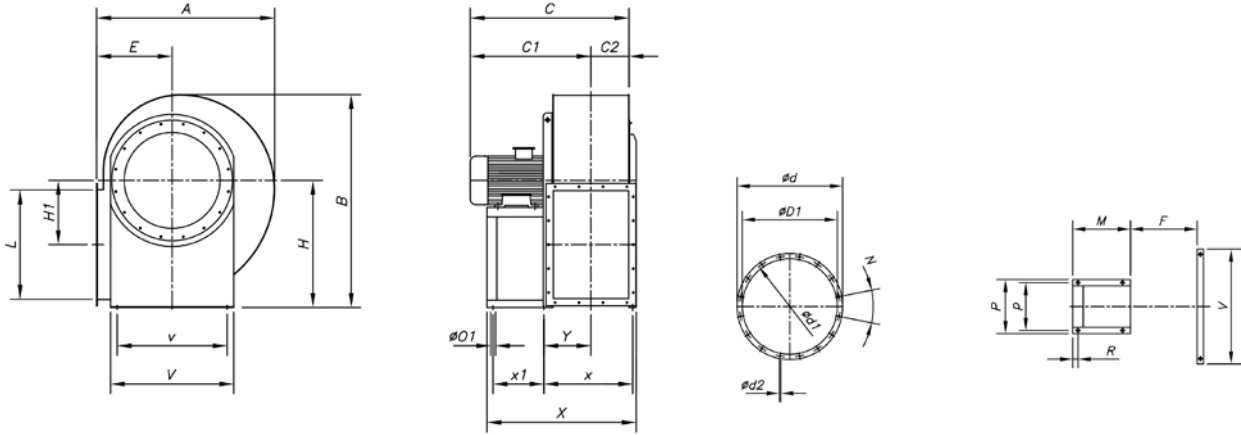
CMRS-350

CMRS-400
CMRS-450
CMRS-500

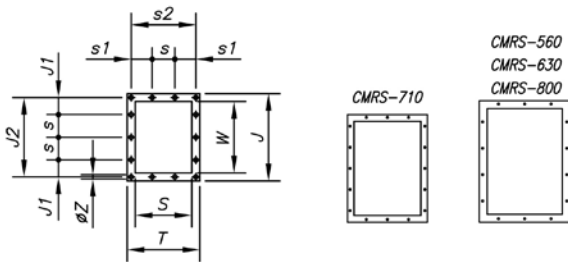


Model	T	J	J1	J2	S	s	s1	s2	W	ØZ
CMRS-350-2T-4	336	441	77	405	260	125	87	300	365	12
CMRS-350-4T-0.5	336	441	77	405	260	125	87	300	365	12
CMRS-400-2T-5.5	368	484	36	448	292	125	41	332	408	12
CMRS-400-2T-7.5	368	484	36	448	292	125	41	332	408	12
CMRS-400-4T-0.75	368	484	36	448	292	125	41	332	408	12
CMRS-450-2T-10	402	533	61	497	326	125	58	366	457	12
CMRS-450-2T-15	402	533	61	497	326	125	58	366	457	12
CMRS-450-4T-1	402	533	61	497	326	125	58	366	457	12
CMRS-450-4T-1.5	402	533	61	497	326	125	58	366	457	12
CMRS-500-2T-20	441	587	88	551	365	125	77	405	511	12
CMRS-500-2T-25	441	587	88	551	365	125	77	405	511	12
CMRS-500-4T-2	441	587	88	551	365	125	77	405	511	12
CMRS-500-4T-3	441	587	88	551	365	125	77	405	511	12
CMRS-500-6T-0.75	441	587	88	551	365	125	77	405	511	12

LARGE SERIES

Dimensions mm
CMRS 560...800


Model	Frame	A	B	C	C1	C2	ØD1	Ød	Ød1	Ød2	N	E	H	H1	L	F	M	R	ØO1	P	p	V	v	X	x	x1	Y
CMRS-560-4T-4	100 LB/4	938	1139	711	507	204	565	658	629	12	12X30°	400	670	331	569	412	295	23	12	324	289	720	632	762	464	249	231
CMRS-560-4T-5.5	112 M/4	938	1139	758	554	204	565	658	629	12	12X30°	400	670	331	569	412	310	23	12	324	289	720	632	777	464	264	231
CMRS-560-6T-1	90 S/6	938	1139	682	478	204	565	658	629	12	12X30°	400	670	331	569	412	260	17	10	260	234	720	632	727	501	183	268
CMRS-560-6T-1.5	90 L/6	938	1139	682	478	204	565	658	629	12	12X30°	400	670	331	569	412	260	17	10	260	234	720	632	727	501	183	268
CMRS-630-4T-7.5	132 S/4	1053	1279	877	648	229	635	738	698	12	12X30°	450	750	375	644	462	360	23	12	372	337	780	702	877	514	314	256
CMRS-630-4T-10	132 MA/4	1053	1279	941	712	229	635	738	698	12	12X30°	450	750	375	644	462	360	23	12	372	337	780	702	877	514	314	256
CMRS-630-6T-2	100 LA/6	1053	1279	761	532	229	635	738	698	12	12X30°	450	750	375	644	462	295	23	12	324	289	780	702	805	514	249	256
CMRS-630-6T-3	112 M/6	1053	1279	808	579	229	635	738	698	12	12X30°	450	750	375	644	462	310	23	12	324	289	780	702	827	514	264	256
CMRS-710-4T-15	160 M/4	1178	1436	996	738	258	715	825	775	14	16x22°30'	500	850	431	715	513	478	39	19	836	734	887	772	1059	617	372	323
CMRS-710-4T-20	160 L/4	1178	1436	1094	836	258	715	825	775	14	16x22°30'	500	850	431	715	513	478	39	19	836	734	887	772	1059	617	372	323
CMRS-710-6T-4	132 SA/6	1178	1436	931	673	258	715	825	775	14	16x22°30'	500	850	431	715	513	369	39	19	836	734	887	772	950	617	263	323
CMRS-710-6T-5.5	132 MA/6	1178	1436	996	738	258	715	825	775	14	16x22°30'	500	850	431	715	513	369	39	19	836	734	887	772	950	617	263	323
CMRS-800-4T-25	180 M/4	1313	1593	1140	851	289	805	920	861	14	16x22°30'	560	950	482	801	577	547	39	19	926	862	968	867	1192	681	441	356
CMRS-800-4T-30	180 L/4	1313	1593	1178	889	289	805	920	861	14	16x22°30'	560	950	482	801	577	547	39	19	926	862	968	867	1192	681	441	356
CMRS-800-6T-7.5	132 M/6	1313	1593	1059	770	289	805	920	861	14	16x22°30'	560	950	482	801	577	369	39	19	926	862	968	867	1014	681	263	356
CMRS-800-6T-10	160 M/6	1313	1593	1059	770	289	805	920	861	14	16x22°30'	560	950	482	801	577	478	39	19	926	862	968	867	1123	681	372	356

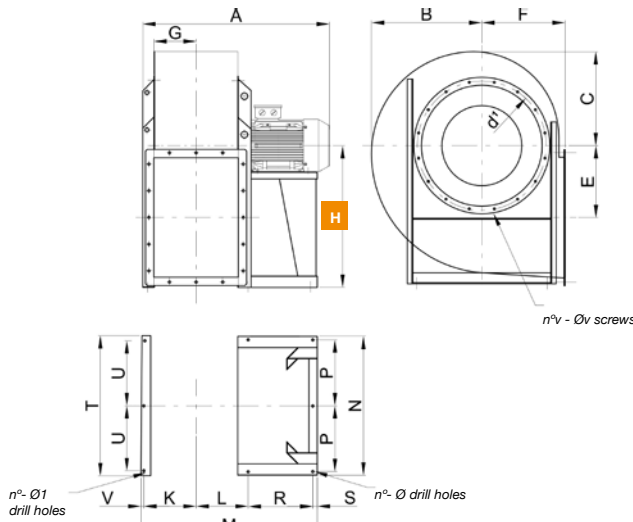
OUTLET NOZZLE


Model	T	J	J1	J2	S	s	s1	s2	W	ØZ
CMRS-560-4T-4	504	669	74	629	412	160	72	464	573	14
CMRS-560-4T-5.5	504	669	74	629	412	160	72	464	573	14
CMRS-560-6T-1	504	669	74	629	412	160	72	464	573	14
CMRS-560-6T-1.5	504	669	74	629	412	160	72	464	573	14
CMRS-630-4T-7.5	553	738	109	698	462	160	96	513	644	14
CMRS-630-4T-10	553	738	109	698	462	160	96	513	644	14
CMRS-630-6T-2	553	738	109	698	462	160	96	513	644	14
CMRS-630-6T-3	553	738	109	698	462	160	96	513	644	14
CMRS-710-4T-15	607	815	67	775	511	160	123	567	719	14
CMRS-710-4T-20	607	815	67	775	511	160	123	567	719	14
CMRS-710-6T-4	607	815	67	775	511	160	123	567	719	14
CMRS-710-6T-5.5	607	815	67	775	511	160	123	567	719	14
CMRS-800-4T-25	689	921	135	871	574	200	119	639	808	14
CMRS-800-4T-30	689	921	135	871	574	200	119	639	808	14
CMRS-800-6T-7.5	689	921	135	871	574	200	119	639	808	14
CMRS-800-6T-10	689	921	135	871	574	200	119	639	808	14

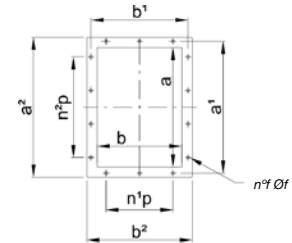
Dimensions mm

SYSTEM
4

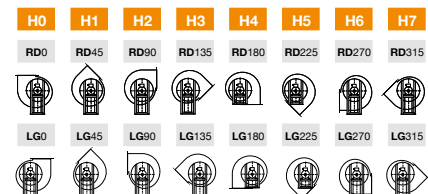
CMRS 900...1400



OUTLET NOZZLE



ORIENTATIONS



H *The measurement of height H (distance between the ground and the axis) varies depending on the orientations

MOD.	Frame	A*	B	C	E	F	G	HO-1-2-3	H4-5	H6-7	L	K	M*	N	P	R*	S	T	U
CMRS-900	225 S/4	1425	835	710	543	630	322	850	630	1060	368	363	1257	1021	480	460	40	1100	480
CMRS-900	225 M/4	1425	835	710	543	630	322	850	630	1060	368	363	1257	1021	480	460	40	1100	480
CMRS-900	160 L/6	1275	835	710	543	630	322	850	630	1060	368	363	1132	1021	480	335	40	1100	480
CMRS-900	180 L/6	1315	835	710	543	630	322	850	630	1060	368	363	1177	1021	480	380	40	1100	480
CMRS-1000	250 M/4	1585	930	795	610	710	360	950	710	1180	407	396	1414	1120	530	520	50	1230	530
CMRS-1000	280 S/4	1710	930	795	610	710	360	950	710	1180	407	396	1534	1120	530	640	50	1230	530
CMRS-1000	200 LR/6	1460	930	795	610	710	360	950	710	1180	407	396	1334	1120	530	440	50	1230	530
CMRS-1000	200 L/6	1460	930	795	610	710	360	950	710	1180	407	396	1334	1120	530	440	50	1230	530
CMRS-1120	225 M/6	1615	1045	895	683	800	403	1060	800	1320	480	446	1450	1260	590	420	50	1370	590
CMRS-1120	250 M/6	1690	1045	895	683	800	403	1060	800	1320	480	446	1520	1260	590	490	50	1370	590
CMRS-1250	280 M/6	1912	1175	1005	770	900	452	1180	900	1500	528	495	1707	1390	655	610	50	1540	655
CMRS-1250	315 S/6	1935	1175	1005	770	900	452	1180	900	1500	528	495	1797	1390	655	670	50	1540	655
CMRS-1400	315 M/6	2145	1305	1115	854	1000	506	1320	1000	1700	603	549	1906	1530	725	640	60	1690	725
CMRS-1400	315 M/6	2145	1305	1115	854	1000	506	1320	1000	1700	603	549	1906	1530	725	640	60	1690	725

OUTLET NOZZLE

MOD.	V	n°	Φ	Φ¹	d¹	n°v	Φv	a	b	a¹	b¹	a²	b²	n1p	n2p	n¹f	Φf	kg	WD²
CMRS-900	26	5+3	19	19	958	16	M10	898	638	968	708	1018	758	3-200	4-200	18	14	630	47
CMRS-900	26	5+3	19	19	958	16	M10	898	638	968	708	1018	758	3-200	4-200	18	14	650	47
CMRS-900	26	5+3	19	19	958	16	M10	898	638	968	708	1018	758	3-200	4-200	18	14	460	47
CMRS-900	26	5+3	19	19	958	16	M10	898	638	968	708	1018	758	3-200	4-200	18	14	500	47
CMRS-1000	41	5+3	19	19	1067	24	M10	1007	715	1077	785	1127	835	3-200	4-200	18	14	830	77.8
CMRS-1000	41	5+3	19	19	1067	24	M10	1007	715	1077	785	1127	835	3-200	4-200	18	14	940	77.8
CMRS-1000	41	5+3	19	19	1067	24	M10	1007	715	1077	785	1127	835	3-200	4-200	18	14	700	77.8
CMRS-1000	41	5+3	19	19	1067	24	M10	1007	715	1077	785	1127	835	3-200	4-200	18	14	720	77.8
CMRS-1120	54	5+3	24	24	1200	24	M10	1130	801	1210	881	1270	941	3-200	5-200	20	18	1080	135
CMRS-1120	54	5+3	24	24	1200	24	M10	1130	801	1210	881	1270	941	3-200	5-200	20	18	1200	135
CMRS-1250	54	5+3	24	24	1337	24	M10	1267	898	1347	978	1407	1038	4-200	6-200	24	18	1460	240
CMRS-1250	54	5+3	24	24	1337	24	M10	1267	898	1347	978	1407	1038	4-200	6-200	24	18	1600	240
CMRS-1400	54	5+3	24	24	1491	32	M10	1421	1007	1501	1087	1561	1147	4-200	6-200	24	18	2050	415
CMRS-1400	54	5+3	24	24	1491	32	M10	1421	1007	1501	1087	1561	1147	4-200	6-200	24	18	2110	415

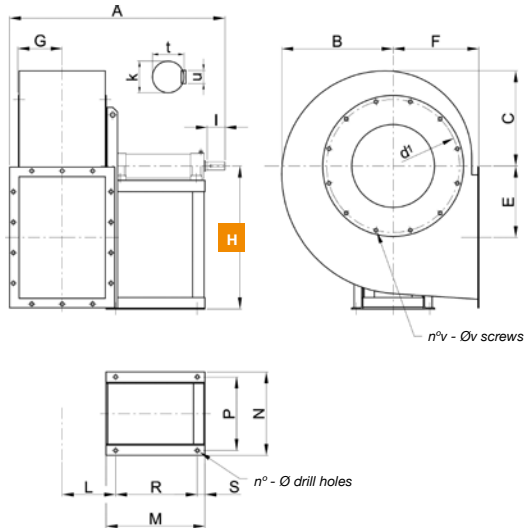
*For "HIGH TEMP" constructions, elevations "A-M-R" + 50 mm.
kg = Weight of fan with motor.
WD² = Moment of inertia of the impeller, expressed in kg x m²

LARGE SERIES

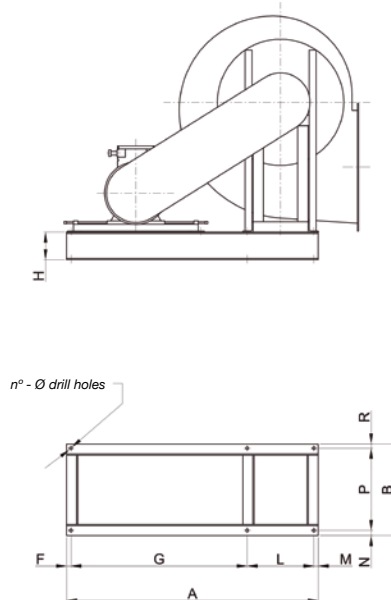
Dimensions mm

CMRS-X 250...500

SYSTEM 1



SYSTEM 12



MOD.	A*	B	C	E	F	G	H0	H1	H2	H3
CMRS-250	500	240	210	150	195	93	315	315	315	315
CMRS-280	605	265	225	171	200	104	375	375	375	375
CMRS-310	630	300	225	196	225	116	400	400	400	400
CMRS-350	860	335	285	215	255	130	450	450	450	450
CMRS-400	1000	380	320	243	285	146	500	500	500	500
CMRS-450	1025	425	360	273	320	163	560	560	560	560
CMRS-500	1075	470	405	301	360	182	600	600	600	600

MOD.	A	B*	H	F	G	L	M	N
CMRS-250	700	185	80	15	480	190	15	20
CMRS-280	895	265	100	20	630	230	15	25
CMRS-310	895	265	100	20	630	230	15	25
CMRS-350	980	450	120	20	630	310	20	25
CMRS-400	1020	530	120	20	650	330	20	25
CMRS-450	1175	530	120	25	800	330	20	25
CMRS-500	1265	495	160	25	830	385	25	30

MOD.	H4	H5	H6	H7	L	M*	N	P	R*	S
CMRS-250	195	195	315	315	144	220	214	190	145	25
CMRS-280	200	200	375	375	155	290	254	230	215	25
CMRS-310	225	225	400	400	167	290	254	230	215	25
CMRS-350	255	255	450	450	181	480	350	310	400	30
CMRS-400	285	285	500	500	198	560	370	330	480	30
CMRS-450	320	320	560	560	215	560	370	330	480	30
CMRS-500	360	360	600	600	234	520	438	385	430	80

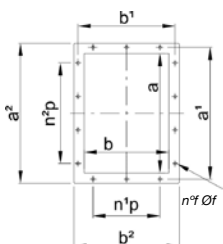
MOD.	P*	R	n°	Φ	kg
CMRS-250	145	20	6	10	19
CMRS-280	215	25	6	12	30
CMRS-310	215	25	6	12	30
CMRS-350	400	25	6	14	45
CMRS-400	480	25	6	14	50
CMRS-450	480	25	6	14	55
CMRS-500	430	35	6	17	78

MOD.	n°	Φ	k	l	t	u	d ¹	n°v	Φv	kg	WD ²
CMRS-250	4	10	19 k6	40	21.5	6	292	8	M8	30	0.15
CMRS-280	4	12	24 k6	50	27	8	332	8	M8	40	0.2
CMRS-310	4	12	24 k6	50	27	8	366	8	M8	45	0.35
CMRS-350	4	14	28 k6	60	31	8	405	8	M8	75	0.6
CMRS-400	4	14	38 k6	80	41	10	448	8	M8	85	1.1
CMRS-450	4	14	38 k6	80	41	10	497	8	M8	100	2
CMRS-500	4	17	42 k6	110	45	12	551	12	M8	140	3.3

*For "HIGH TEMP." constructions in models 250 to 500, elevations "B-P" + 50 mm.
Kg = Weight of the support base

*For "HIGH TEMP." constructions in models 250 to 500, elevations "A-M-R" + 50 mm.
kg = Weight of fan with motor.
WD² = Moment of inertia of the impeller, expressed in kg x m²

OUTLET NOZZLE



OUTLET NOZZLE

MOD.	a	b	a'	b'	a''	b''	n°p	n°p	n°f	Φf
CMRS-250	256	183	292	219	326	253	1-112	2-112	10	12
CMRS-280	288	205	332	249	368	285	1-125	2-125	10	12
CMRS-310	322	229	366	273	402	309	1-125	2-125	10	12
CMRS-350	361	256	405	300	441	336	1-125	2-125	10	12
CMRS-400	404	288	448	332	484	368	2-125	3-125	14	12
CMRS-450	453	322	497	366	533	402	2-125	3-125	14	12
CMRS-500	507	361	551	405	587	441	2-125	3-125	14	12

ORIENTATIONS

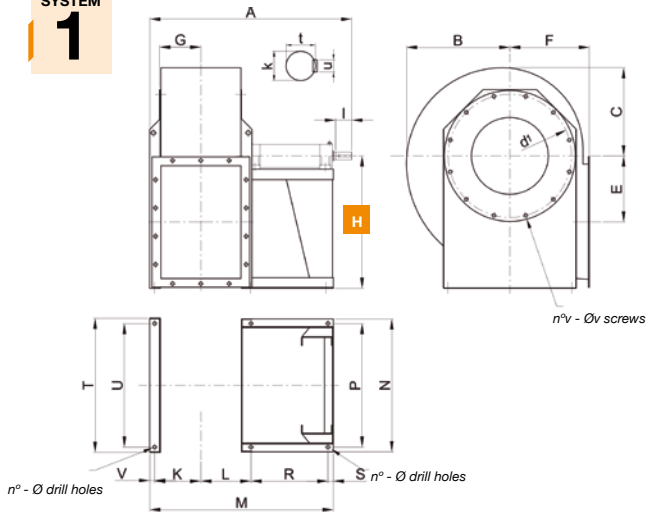
H0	H1	H2	H3	H4	H5	H6	H7
RD0	RD45	RD90	RD135	RD180	RD225	RD270	RD315
LG0	LG45	LG90	LG135	LG180	LG225	LG270	LG315

H *The measurement of height H (distance between the ground and the axis) varies depending on the orientations

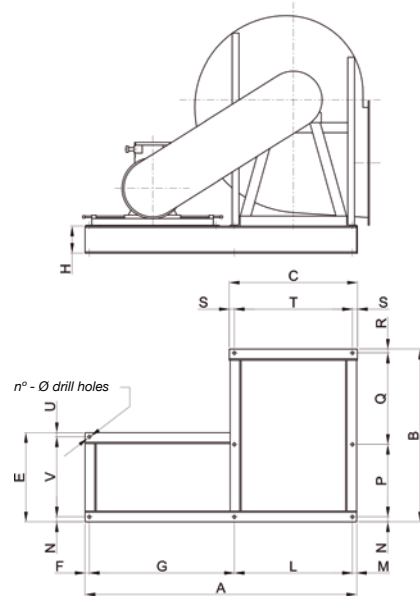
Dimensions mm

CMRS-X 560...800

SYSTEM 1



SYSTEM 12



MOD.	A*	B	C	E	F	G	H0	H1	H2	H3	H4	H5
CMRS-560	1135	525	445	331	400	204	670	670	670	670	400	400
CMRS-630	1185	590	505	375	450	228	750	750	750	750	450	450
CMRS-710	1340	670	570	431	500	255	670	670	670	670	500	500
CMRS-800	1450	745	635	482	560	286	750	750	750	750	560	560

MOD.	A	B*	C	E	H	F	G	L	M	N
CMRS-560	1415	975	690	510	160	25	735	630	25	30
CMRS-630	1610	1025	760	530	160	25	860	700	25	30
CMRS-710	1980	1175	920	690	180	30	1150	770	30	30
CMRS-800	2070	1285	1000	690	180	30	1150	860	30	30

MOD.	H6	H7	L	K	M*	N	P	R*	S	T	U	V
CMRS-560	670	670	255	237	985	683	630	430	40	690	630	23
CMRS-630	750	750	279	263	1035	753	700	430	40	760	700	23
CMRS-710	850	850	306	294	1184	831	770	515	40	845	770	29
CMRS-800	950	950	337	325	1296	921	860	565	40	935	860	29

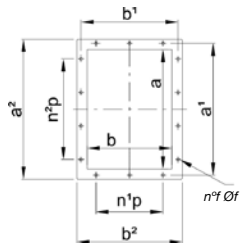
MOD.	P*	Q	R	S	T	U	V	n°	Φ	kg
CMRS-560	430	492	23	30	630	25	455	8	17	110
CMRS-630	430	542	23	30	700	25	475	8	17	120
CMRS-710	515	600	30	75	770	30	630	10	19	172
CMRS-800	565	662	28	70	860	30	630	10	19	180

MOD.	n°	Φ	k	l	t	u	d ¹	n°v	Φv	kg	WD ²
CMRS-560	4+2	17	48 k6	110	51.5	14	629	12	M8	180	5.2
CMRS-630	4+2	17	48 k6	110	51.5	14	698	12	M8	220	8.5
CMRS-710	5+3	19	48 k6	110	51.5	14	775	16	M10	280	15.5
CMRS-800	5+3	19	55 m6	110	59	16	861	16	M10	350	28.5

*For "HIGH TEMP." constructions in models 560 to 630, elevations "B-P" + 50 mm.
kg = Weight of the support base

*For "HIGH TEMP." constructions in models 560 to 630, elevations "A-M-R" + 50 mm.
kg = Weight of fan with motor.
WD² = Moment of inertia of the impeller, expressed in kg x m²

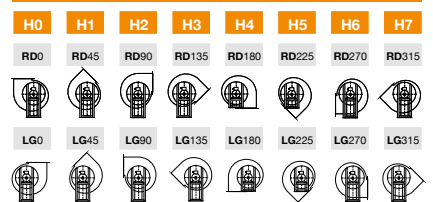
OUTLET NOZZLE



OUTLET NOZZLE

MOD.	a	b	a'	b'	a''	b''	n°p	n°p	n°f	Φf
CMRS-560	569	404	629	464	669	504	2-160	3-160	14	14
CMRS-630	638	453	698	513	738	553	2-160	3-160	14	14
CMRS-710	715	507	775	567	815	607	2-160	4-160	16	14
CMRS-800	801	569	871	639	921	689	2-200	3-200	14	14

ORIENTATIONS



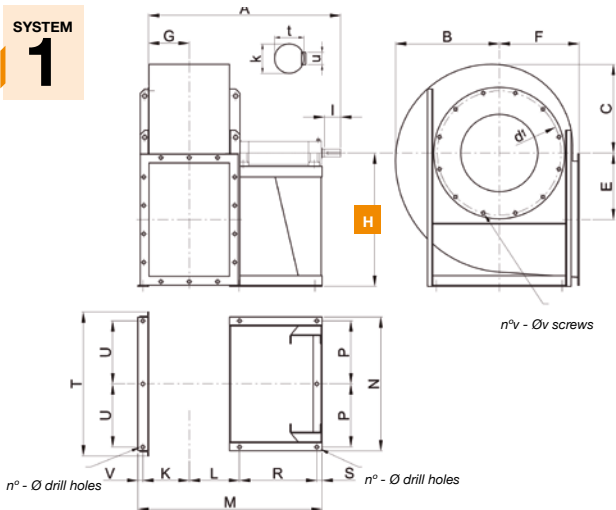
H *The measurement of height H (distance between the ground and the axis) varies depending on the orientations

LARGE SERIES

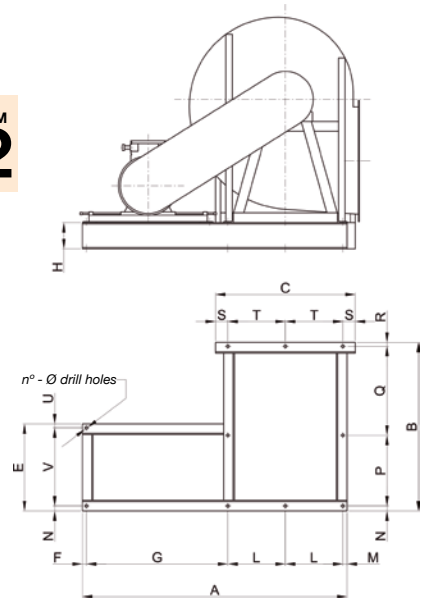
Dimensions mm

CMRS-X 900...2000

SYSTEM 1



SYSTEM 12



MOD.	A*	B	C	E	F	G	H0	H1	H2	H3	H4	H5
CMRS-900	1515	835	710	543	630	322	850	850	850	850	630	630
CMRS-1000	1690	930	795	610	710	360	950	950	950	950	710	710
CMRS-1120	1980	1045	895	683	800	403	1060	1060	1060	1060	800	800
CMRS-1250	2080	1175	1005	770	900	452	1180	1180	1180	1180	900	900
CMRS-1400	2270	1305	1115	854	1000	506	1320	1320	1120	1120	1000	1000
CMRS-1600	2580	1535	1245	956	1120	568	1500	1500	1250	1250	1120	1120
CMRS-1800	2790	1705	1390	1066	1250	636	1650	1550	1400	1320	1250	1250
CMRS-2000	2940	1920	1555	1195	1400	713	1850	1700	1600	1450	1400	1400

MOD.	A	B*	C	E	H	F	G	L	M	N
CMRS-900	2200	1355	1100	750	180	30	1180	480	30	30
CMRS-1000	2300	1475	1230	755	180	30	1180	530	30	35
CMRS-1120	2470	1755	1370	830	180	35	1220	590	35	35
CMRS-1250	2600	1850	1540	830	180	35	1220	655	35	35
CMRS-1400	3150	2000	1690	990	180	35	1630	725	35	35
CMRS-1600	3340	2295	1950	990	180	35	1630	820	35	35
CMRS-1800	3590	2435	2150	1090	180	30	1700	915	30	30
CMRS-2000	3800	2600	2390	1100	180	35	1700	1015	35	35

MOD.	H6	H7	L	K	M*	N	P	R*	S	T	U	V
CMRS-900	1060	1060	368	363	1362	1021	480	565	40	1100	480	26
CMRS-1000	1180	1180	407	396	1499	1120	530	605	50	1230	530	41
CMRS-1120	1320	1320	480	446	1790	1260	590	760	50	1370	590	54
CMRS-1250	1500	1500	528	495	1887	1390	655	760	50	1540	655	54
CMRS-1400	1700	1500	603	549	2046	1530	725	780	60	1690	725	54
CMRS-1600	1900	1600	684	621	2349	1720	820	920	60	1950	820	64
CMRS-1800	2120	1800	753	699	2486	1910	915	920	60	2150	915	54
CMRS-2000	2360	2000	830	776	2670	2110	1015	920	60	2390	1015	84

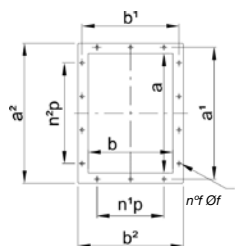
MOD.	P*	Q	R	S	T	U	V	n°	Φ	kg
CMRS-900	565	731	29	70	480	30	690	10	19	195
CMRS-1000	605	803	32	85	530	30	690	10	19	270
CMRS-1120	760	926	34	95	590	35	760	10	24	305
CMRS-1250	760	1023	32	115	655	35	760	10	24	320
CMRS-1400	780	1152	33	120	725	35	920	10	24	375
CMRS-1600	920	1305	35	155	820	35	920	10	28	405
CMRS-1800	920	1452	33	160	915	30	1030	10	28	495
CMRS-2000	920	1606	39	180	1015	35	1030	10	28	520

MOD.	n°	Φ	k	l	t	u	d'	n°v	Φv	kg	WD ²
CMRS-900	5+3	19	55 m6	110	59	16	958	16	M10	430	47
CMRS-1000	5+3	19	65 m6	140	69	18	1067	24	M10	550	77,8
CMRS-1120	5+3	24	75 m6	140	79,5	20	1200	24	M10	870	135
CMRS-1250	5+3	24	75 m6	140	79,5	20	1337	24	M10	1100	240
CMRS-1400	5+3	24	80 m6	170	85	22	1491	32	M10	1580	415
CMRS-1600	5+3	28	90 m6	170	95	25	1663	32	M12	2000	700
CMRS-1800	5+3	28	100 j6	210	106	28	1856	32	M12	2780	1310
CMRS-2000	5+3	28	100 j6	210	106	28	2073	32	M12	3400	2050

*For "HIGH TEMP." constructions in models 710 to 900, elevations "B-P" + 50 mm.
kg = Weight of the support base

*For "HIGH TEMP." constructions in models 710 to 900, elevations "A-M-R" + 50 mm.
kg = Weight of fan with motor.
WD² = Moment of inertia of the impeller, expressed in kg x m²

OUTLET NOZZLE



OUTLET NOZZLE

MOD.	a	b	a'	b'	a ²	b ²	n°p	n°p	n°f	Φf
CMRS-900	898	638	968	708	1018	758	3-200	4-200	18	14
CMRS-1000	1007	715	1077	785	1127	835	3-200	4-200	18	14
CMRS-1120	1130	801	1210	881	1270	941	3-200	5-200	20	18
CMRS-1250	1267	898	1347	978	1407	1038	4-200	6-200	24	18
CMRS-1400	1421	1007	1501	1087	1561	1147	4-200	6-200	24	18
CMRS-1600	1593	1130	1683	1220	1753	1290	5-200	7-200	28	22
CMRS-1800	1786	1267	1876	1357	1946	1427	6-200	8-200	32	22
CMRS-2000	2003	1421	2093	1511	2163	1581	6-200	9-200	34	22

ORIENTATIONS

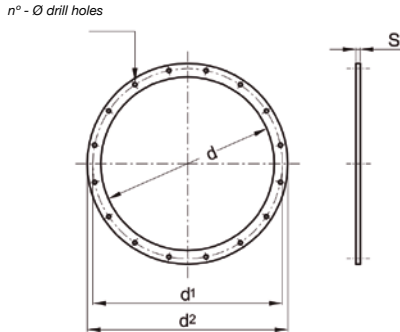
H0	H1	H2	H3	H4	H5	H6	H7
RD0	RD45	RD90	RD135	RD180	RD225	RD270	RD315
LG0	LG45	LG90	LG135	LG180	LG225	LG270	LG315

H *The measurement of height H (distance between the ground and the axis) varies depending on the orientations

LARGE SERIES

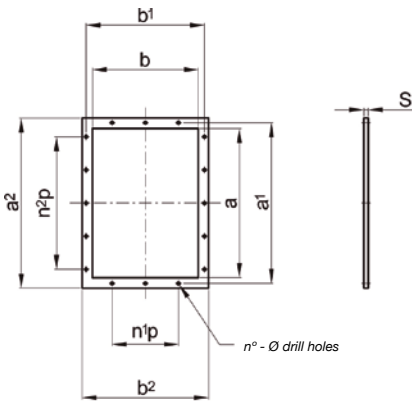
Accessories

Inlet counter flange



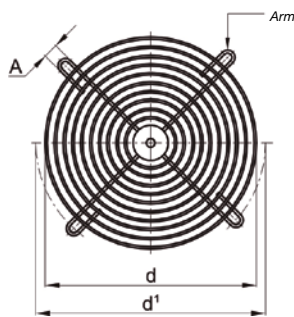
MOD.	d	d ¹	d ²	n°	Φ	S	kg
CMRS-250	255	292	325	8	11	4	1
CMRS-280	286	332	366	8	11	5	1.6
CMRS-310	321	366	401	8	11	5	1.8
CMRS-350	361	405	441	8	11	5	2
CMRS-400	406	448	486	12	11	5	2.2
CMRS-450	456	497	536	12	11	5	2.5
CMRS-500	506	551	586	12	11	5	2.7
CMRS-560	568	629	668	12	11	6	4.6
CMRS-630	638	698	738	12	11	6	5
CMRS-710	718	775	818	16	13	6	5.5
CMRS-800	808	861	908	16	13	6	7
CMRS-900	908	958	1008	16	13	6	7
CMRS-1000	1008	1067	1108	24	13	6	7.8
CMRS-1120	1130	1200	1250	24	13	8	13.8
CMRS-1250	1260	1337	1380	24	13	8	15.5
CMRS-1400	1410	1491	1530	32	13	8	17
CMRS-1600	1610	1663	1730	32	15	8	19.5
CMRS-1800	1810	1856	1930	32	15	8	21.7
CMRS-2000	2010	2073	2130	32	15	8	24

Impulsion counter-flange



Model	a	b	a ¹	b ¹	a ²	b ²	n°p	n2p	n°	Φ	s	kg
CMRS-250	256	183	292	219	326	253	1-112	2-112	10	12	4	1.1
CMRS-280	288	205	332	249	368	285	1-125	2-125	10	12	5	1.8
CMRS-310	322	229	366	273	402	309	1-125	2-125	10	12	5	2
CMRS-350	361	256	405	300	441	336	1-125	2-125	10	12	5	2.2
CMRS-400	404	288	448	332	484	368	2-125	3-125	14	12	5	2.4
CMRS-450	453	322	497	366	533	402	2-125	3-125	14	12	5	2.7
CMRS-500	507	361	551	405	587	441	2-125	3-125	14	12	5	3
CMRS-560	569	404	629	464	669	504	2-160	3-160	14	14	6	5
CMRS-630	638	453	698	513	738	553	2-160	3-160	14	14	6	5.6
CMRS-710	715	507	775	567	815	607	2-160	4-160	16	14	6	6.2
CMRS-800	801	569	871	639	921	689	2-200	3-200	14	14	8	11.2
CMRS-900	898	638	968	708	1018	758	3-200	4-200	18	14	8	12.5
CMRS-1000	1007	715	1077	785	1127	835	3-200	4-200	18	14	8	14
CMRS-1120	1130	801	1210	881	1270	941	3-200	5-200	20	18	8	18
CMRS-1250	1267	898	1347	978	1407	1038	4-200	6-200	24	18	8	20
CMRS-1400	1421	1007	1501	1087	1561	1147	4-200	6-200	24	18	8	22
CMRS-1600	1593	1130	1683	1220	1753	1290	5-200	7-200	28	22	8	28.5
CMRS-1800	1786	1267	1876	1357	1946	1427	6-200	8-200	32	22	8	31.5
CMRS-2000	2003	1421	2093	1511	2163	1581	6-200	9-200	34	22	8	35

Inlet protection mesh

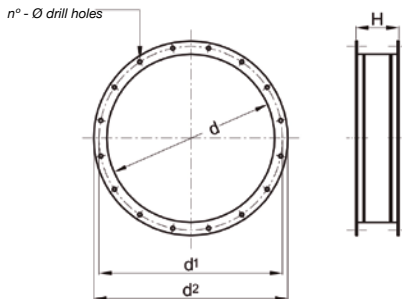


MOD.	d	d ¹	A	n°	kg
CMRS-250	255	292	11	4	0.3
CMRS-280	286	332	11	4	0.35
CMRS-310	321	366	11	4	0.4
CMRS-350	361	405	11	8	0.7
CMRS-400	406	448	11	8	0.8
CMRS-450	456	497	11	8	0.9
CMRS-500	506	551	11	8	0.9
CMRS-560	568	629	11	8	1.2
CMRS-630	638	698	11	8	1.5
CMRS-710	718	775	13	8	2
CMRS-800	808	861	13	8	2.5
CMRS-900	908	958	13	8	3
CMRS-1000	1008	1067	13	8	3.5
CMRS-1120	1130	1200	13	8	8.5
CMRS-1250	1260	1337	13	8	10
CMRS-1400	1410	1491	13	8	13
CMRS-1600	1610	1663	15	8	16
CMRS-1800	1810	1856	15	8	25
CMRS-2000	2010	2073	15	8	35

LARGE SERIES

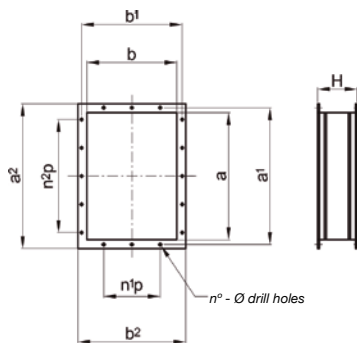
Accessories

Inlet anti-vibration seal



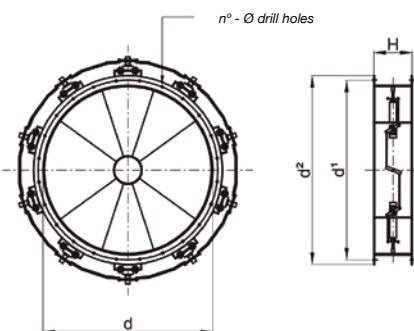
MOD.	d	d ¹	d ²	n°	Φ	H	kg
CMRS-250	255	292	325	8	11	200	2.2
CMRS-280	286	332	366	8	11	200	3.4
CMRS-310	321	366	401	8	11	200	3.8
CMRS-350	361	405	441	8	11	200	4.2
CMRS-400	406	448	486	12	11	200	4.6
CMRS-450	456	497	536	12	11	200	5.1
CMRS-500	506	551	586	12	11	200	5.6
CMRS-560	568	629	668	12	11	200	9.4
CMRS-630	638	698	738	12	11	200	10.4
CMRS-710	718	775	818	16	13	200	11.6
CMRS-800	808	861	908	16	13	200	13
CMRS-900	908	958	1008	16	13	200	14.4
CMRS-1000	1008	1067	1108	24	13	200	16
CMRS-1120	1130	1200	1250	24	13	200	29
CMRS-1250	1260	1337	1380	24	13	200	33
CMRS-1400	1410	1491	1530	32	13	200	36
CMRS-1600	1610	1663	1730	32	15	200	43
CMRS-1800	1810	1856	1930	32	15	200	47
CMRS-2000	2010	2073	2130	32	15	200	52

Impulsion anti-vibration seal



Model	a	b	a ¹	b ¹	a ²	b ²	n ¹ p	n ² p	n°	Φ	H	kg
CMRS-250	256	183	292	219	326	253	1-112	2-112	10	12	200	2.4
CMRS-280	288	205	332	249	368	285	1-125	2-125	10	12	200	3.8
CMRS-310	322	229	366	273	402	309	1-125	2-125	10	12	200	4.2
CMRS-350	361	256	405	300	441	336	1-125	2-125	10	12	200	4.6
CMRS-400	404	288	448	332	484	368	2-125	3-125	14	12	200	5
CMRS-450	453	322	497	366	533	402	2-125	3-125	14	12	200	5.6
CMRS-500	507	361	551	405	587	441	2-125	3-125	14	12	200	6.2
CMRS-560	569	404	629	464	669	504	2-160	3-160	14	14	200	10.2
CMRS-630	638	453	698	513	738	553	2-160	3-160	14	14	200	11.4
CMRS-710	715	507	775	567	815	607	2-160	4-160	16	14	200	12.6
CMRS-800	801	569	871	639	921	689	2-160	4-160	16	14	200	23
CMRS-900	898	638	968	708	1018	758	3-200	4-200	18	14	200	25.5
CMRS-1000	1007	715	1077	785	1127	835	3-200	4-200	18	14	200	28.5
CMRS-1120	1130	801	1210	881	1270	941	3-200	5-200	20	18	200	37
CMRS-1250	1267	898	1347	978	1407	1038	4-200	6-200	24	18	200	41
CMRS-1400	1421	1007	1501	1087	1561	1147	4-200	6-200	24	18	200	46
CMRS-1600	1593	1130	1683	1220	1753	1290	5-200	7-200	28	22	200	60
CMRS-1800	1786	1267	1876	1357	1946	1427	6-200	8-200	32	22	200	66
CMRS-2000	2003	1421	2093	1511	2163	1581	6-200	9-200	34	22	200	73

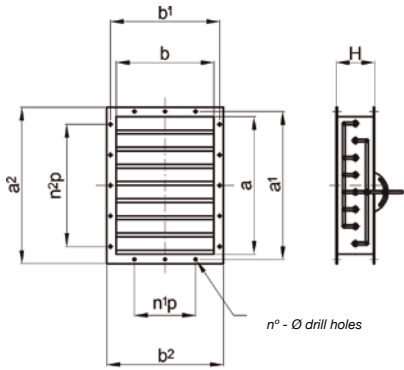
Flow regulator at the inlet



MOD.	d	d ¹	d ²	n°	Φ	H	kg
CMRS-310	321	366	401	8	11	200	24
CMRS-350	361	405	441	8	11	250	26
CMRS-400	406	448	486	12	11	250	30
CMRS-450	456	497	536	12	11	250	32
CMRS-500	506	551	586	12	11	250	45
CMRS-560	568	629	668	12	11	250	50
CMRS-630	638	698	738	12	11	300	58
CMRS-710	718	775	818	16	13	300	68
CMRS-800	808	861	908	16	13	350	87
CMRS-900	908	958	1008	16	13	350	102
CMRS-1000	1008	1067	1108	24	13	350	120
CMRS-1120	1130	1200	1250	24	13	400	150
CMRS-1250	1260	1337	1380	24	13	400	170
CMRS-1400	1410	1491	1530	32	13	400	190
CMRS-1600	1610	1663	1730	32	15	460	210
CMRS-1800	1810	1856	1930	32	15	500	250
CMRS-2000	2010	2073	2130	32	15	500	320

Accessories

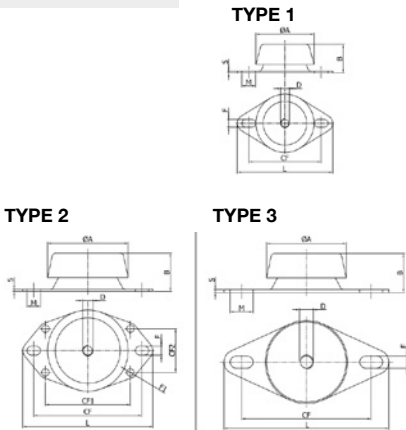
Opposing blades damper



MOD.	a	b	a1	b1	a2	b2	n1p	n2p	n°	Φ	H (1)	H (2)	kg (1)	kg (2)
CMRS-310	322	229	366	273	402	309	1-125	2-125	10	12	220	250	11	12
CMRS-350	361	256	405	300	441	336	1-125	2-125	10	12	220	250	14	15
CMRS-400	404	288	448	332	484	368	2-125	3-125	14	12	220	250	18	19
CMRS-450	453	322	497	366	533	402	2-125	3-125	14	12	220	250	21	22
CMRS-500	507	361	551	405	587	441	2-125	3-125	14	12	220	250	24	25
CMRS-560	569	404	629	464	669	504	2-160	3-160	14	14	220	250	28	29
CMRS-630	638	453	698	513	738	553	2-160	3-160	14	14	220	250	32	33
CMRS-710	715	507	775	567	815	607	2-160	4-160	16	14	220	250	36	38
CMRS-800	801	569	871	639	921	689	2-200	3-200	14	14	220	250	44	46
CMRS-900	898	638	968	708	1018	758	3-200	4-200	18	14	220	250	50	52
CMRS-1000	1007	715	1077	785	1127	835	3-200	4-200	18	14	220	250	55	58
CMRS-1120	1130	801	1210	881	1270	941	3-200	5-200	20	18	220	250	81	84
CMRS-1250	1267	898	1347	978	1407	1038	4-200	6-200	24	18	220	250	92	96
CMRS-1400	1421	1007	1501	1087	1561	1147	4-200	6-200	24	18	220	250	105	110
CMRS-1600	1593	1130	1683	1220	1753	1290	5-200	7-200	28	22	220	250	140	145
CMRS-1800	1786	1267	1876	1357	1946	1427	6-200	8-200	32	22	220	250	175	180
CMRS-2000	2003	1421	2093	1511	2163	1581	6-200	9-200	34	22	220	250	235	240

(1) Up to 300 mm H⁰.
(2) Above 300 mm H⁰.

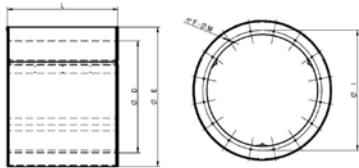
Shock absorbers



MOD.	SHOCK-ABSORBERS MODEL	TYPE	øA	B	D	CF	CF1	CF2	F	øF1	L	M	S
CMRS-250	CF 623110	1	67	33...34	10	76.5	-	-	9	-	90.5	16	2
CMRS-280	CF 623110	1	67	33...34	10	76.5	-	-	9	-	90.5	16	2
CMRS-310	CF 623110	1	67	33...34	10	76.5	-	-	9	-	90.5	16	2
CMRS-350	CF 623110	1	67	33...34	10	76.5	-	-	9	-	90.5	16	2
CMRS-400	CF 623110	1	67	33...34	10	76.5	-	-	9	-	90.5	16	2
CMRS-450	CF 623110	1	67	33...34	10	76.5	-	-	9	-	90.5	16	2
CMRS-500	CF 623110	1	67	33...34	10	76.5	-	-	9	-	90.5	16	2
CMRS-560	CF 623110	1	67	33...34	10	76.5	-	-	9	-	90.5	16	2
CMRS-630	CF 623110	1	67	33...34	10	76.5	-	-	9	-	90.5	16	2
CMRS-710	CF 623110	1	67	33...34	10	76.5	-	-	9	-	90.5	16	2
CMRS-800	CF 924512	2	92	44...45	12	120	98	50	10.5	8.5	130	15.5	2.5
CMRS-900	CF 924512	2	92	44...45	12	120	98	50	10.5	8.5	130	15.5	2.5
CMRS-1000	CF 924512	2	92	44...45	12	120	98	50	10.5	8.5	130	15.5	2.5
CMRS-1120	CF 924512	2	92	44...45	12	120	98	50	10.5	8.5	130	15.5	2.5
CMRS-1250	CF 924512	2	92	44...45	12	120	98	50	10.5	8.5	130	15.5	2.5
CMRS-1400	CF 924512	2	92	44...45	12	120	98	50	10.5	8.5	130	15.5	2.5
CMRS-1600	CF 1204516	3	92	45	26.5	149.5	-	-	14	-	190	16	3.5
CMRS-1800	CF 1204516	3	92	45	26.5	149.5	-	-	14	-	190	16	3.5
CMRS-2000	CF 1204516	3	92	45	26.5	149.5	-	-	14	-	190	16	3.5

Accessories

Circular silencers



Silencers are used to lower the noise level at air conditioning or ventilation installation manufactured using galvanised steel.

- Upon request: other constructions using different materials.

øD	øE	L	øI	F	øM
315	515	ØD,1.5ØD, 2ØD	355	8	M8
355	555	ØD,1.5ØD, 2ØD	395	8	M8
400	600	ØD,1.5ØD, 2ØD	450	8	M8
450	650	ØD,1.5ØD, 2ØD	500	8	M8
500	700	ØD,1.5ØD, 2ØD	560	12	M8
560	760	ØD,1.5ØD, 2ØD	620	12	M8
630	830	ØD,1.5ØD, 2ØD	690	12	M8
710	910	ØD,1.5ØD, 2ØD	770	16	M8
800	1000	ØD,1.5ØD, 2ØD	860	16	M8

øD	øE	L	øI	F	øM
900	1100	ØD,1.5ØD, 2ØD	970	16	M10
1000	1200	ØD,1.5ØD, 2ØD	1070	16	M10
1120	1320	ØD,1.5ØD, 2ØD	1190	20	M10
1250	1450	ØD,1.5ØD, 2ØD	1320	20	M10
1400	1600	ØD,1.5ØD, 2ØD	1470	20	M10
1500	1700	ØD,1.5ØD, 2ØD	1570	20	M10
1600	1800	ØD,1.5ØD, 2ØD	1680	24	M14
1700	1900	ØD,1.5ØD, 2ØD	1780	24	M14
1800	2000	ØD,1.5ØD, 2ØD	1880	24	M14

DIRECT DRIVE MOTOR

CAMA

Extremely robust medium pressure and single inlet centrifugal fans with sheet steel casing and impeller

Designed for dusty air



- Fan:**
- Sheet steel casing.
 - Backward curved impeller made of highly robust sheet steel, specially designed for air with dust and small granulated material.
 - Directly coupled motor.
 - With inspection and cleaning hatch from size 560 and up.
 - Sizes larger than 1600 will be supplied with the casing disassembled to facilitate transport.
 - Casing continuously welded starting with size 710.

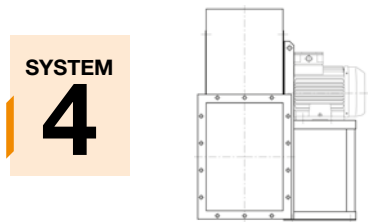
- Motor:**
- Motors with IE3 efficiency for powers equal to or greater than 0.75kW, except single-phase, 2-speed and 8-pole.
 - Class F motors with ball bearings, IP55 protection.
 - Three-phase 230/400 V 50 Hz (up to 4 kW) and 400/690 V 50 Hz (powers greater than 4 kW).
 - Maximum temperature of air to be carried: -25 °C +90 °C.

- Finishing:**
- Anti-corrosive finish in polyester resin, polymerised at 190 °C, after degreasing with phosphate-free nanotechnology treatment.

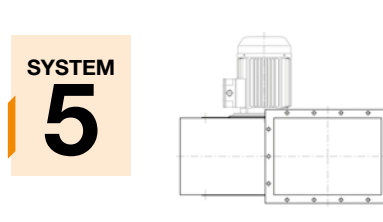
- On request:**
- Special windings for different voltages.
 - Fan prepared to transport air up to +150 °C.
 - Special executions for temperatures + 300 °C.
 - Stainless steel fan.
 - ATEX certified Category 2.
 - System 8 elastic coupling.

*The images are provided only for illustrative purposes, the product may vary depending on its size, specifications and position.

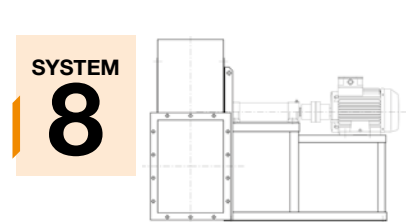
Direct drive motor construction method



Direct drive, impeller mounted on the motor shaft, mounted on the pedestal.

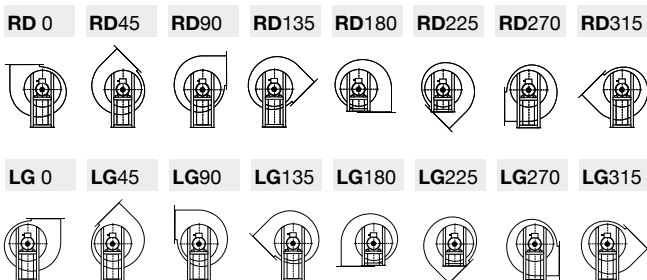


Direct drive, impeller mounted on the motor shaft, flange motor mounted on the fan casing.



Elastic coupling drive, impeller mounted on the support shaft, mounted on the motor via an elastic coupling. Everything mounted together on a fan pedestal.

Orientations



Built to withstand high temperatures



LARGE SERIES

BELT-DRIVEN MOTOR

CAMA-X

Belt driven medium pressure fans, equipped with an electric motor, a set of pulleys, belts and protectors standardized according to ISO-13857
Designed for dusty air



Motor:

- IE3 efficiency motors.
- Class F motors with ball bearings, IP55 protection.
- Three-phase 230/400 V 50 Hz (up to 4 kW) and 400/690 V 50 Hz (powers greater than 4 kW).
- Maximum temperature of air to be carried: -25 °C +90 °C.

Finishing:

- Anti-corrosive finish in polyester resin, polymerised at 190 °C, after degreasing with phosphate-free nanotechnology treatment.

Fan:

- Sheet steel casing.
- Backward curved impeller made of highly robust sheet steel, specially designed for air with dust and small granulated material.
- Engine mounted on general bench.
- With inspection and cleaning hatch from size 560 and up.
- Sizes larger than 1600 will be supplied with the casing disassembled to facilitate transport.
- Casing continuously welded starting with size 710.

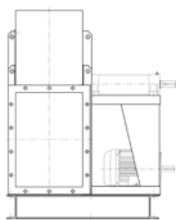
On request:

- Special windings for different voltages.
- Fan prepared to transport air up to +300 °C.
- Stainless steel fan.
- ATEX certified Category 2.
- System 8 elastic coupling.

*The images are provided only for illustrative purposes, the product may vary depending on its size, specifications and position.

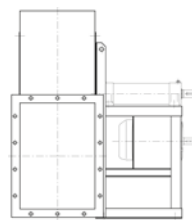
Belt-driven motor construction method

SYSTEM 12



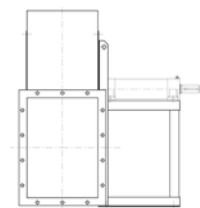
Transmission drive, identical to SYSTEM 1, with the motor and fan mounted on the common bench. Motor positions "W" or "Z" and exceptionally "X" or "Y".

SYSTEM 9



Transmission drive, identical to SYSTEM 1, with the motor mounted on the side of the pedestal, in position "W" or "Z".

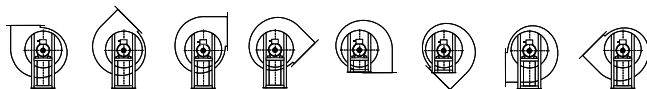
SYSTEM 1



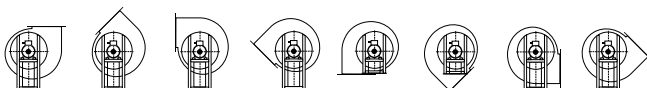
Transmission drive, impeller mounted on the support shaft. Support mounted on the pedestal.

Orientations

RD 0 RD45 RD90 RD135 RD180 RD225 RD270 RD315



LG 0 LG45 LG90 LG135 LG180 LG225 LG270 LG315



QUICK SELECT SYSTEM 4

Outlet characteristics

Model	Frame	kW abs	kW inst.	r.p.m.	dB	V m ³ /s																		
						5.3	6	6.7	7.5	8.5	9.5	10.5	12	13	15	17	19	21	23					
						Pt kgf/m ² = mmH ₂ O																		
CAMA 800/B	160 L/4	12	15	1465	80	170	130	95																
CAMA 800/A	180 M/4	16	18.5	1470	83	180	155	130																
CAMA 900/B	200 L/4	25	30	1470	85	310	295	275	255	225	180													
CAMA 900/A	225 S/4	35	37	1480	87	350	335	315	295	260	230													
CAMA 1000/B	225 M/4	43	45	1480	88	400	395	390	380	360	340	315	280	230										
CAMA 1000/A	250 M/4	50	55	1480	90	460	455	445	435	415	390	365	335	290										
CAMA 1120/B	280 S/4	74	75	1485	93		515	510	505	500	495	480	455	430	395	335	290							
CAMA 1120/A	280 M/4	88	90	1485	95		590	585	580	570	560	545	520	490	455	410	350							
CAMA 900/B	160 M/6	7	7.5	960	73	97	87																	
CAMA 900/A	160 L/6	9	11	960	75	120	110																	
CAMA 1000/B	180 L/6	12	15	970	76	160	150	140	125	100														
CAMA 1000/A	200 LA/6	16	18.5	975	78	180	172	160	150	135														
CAMA 1120/B	200 LB/6	20	22	975	81	208	205	202	200	185	165	150	130											
CAMA 1120/A	225 M/6	28	30	980	84	242	240	238	230	220	205	185	165											
CAMA 1250/B	250 M/6	35	37	980	86	285	280	275	270	270	260	245	240	235	215	190	160							
CAMA 1250/A	280 S/6	43	45	985	88	325	320	315	312	307	300	298	280	270	250	220	190							
CAMA 1400/B	280 M/6	53	55	985	90				350	345	340	338	335	325	310	290	270	260	250					
CAMA 1400/A	315 S/6	73	75	990	90				410	405	403	400	395	390	375	365	340	315	300					

Flow margin $\pm 5\%$
Noise level margin + 3... 5 dB

QUICK SELECT SYSTEM 4

Inlet characteristics

Model	Frame	kW abs	kW inst.	r.p.m.	dB	V m ³ /s																			
						0.13	0.15	0.17	0.19	0.21	0.23	0.26	0.3	0.33	0.37	0.42	0.47	0.53	0.6	0.67	0.75				
						Pt kgf/m ² = mmH ₂ O																			
CAMA 250/B	63 B/2	0.22	0.25	2700	69	85	83	82	80	75	71	64	58	49	38										
CAMA 250/A	71 A/2	0.3	0.37	2800	70	96	95	94	92	88	82	77	71	61	52										
CAMA 280/B	71 B/2	0.45	0.55	2810	72			99	97	94	92	90	88	83	71	61	50								
CAMA 280/A	80 A/2	0.6	0.75	2820	72			118	113	111	109	105	99	94	85	75	66								
CAMA 310/B	80 B/2	0.8	1.1	2820	75								136	134	132	130	122	113	103	94	80				
CAMA 310/A	90 S/2	1	1.5	2840	78								155	154	153	150	146	134	125	115	99				
CAMA 350/B	90 S/2	1.43	1.5	2840	79											171	169	165	155	146	132				
CAMA 350/A	90 L/2	1.87	2.2	2840	80											196	194	192	188	179	165				
CAMA 400/B	100 L/2	2.8	3	2850	83															226	221	216			
CAMA 400/A	112 MA/2	3.5	4	2860	84																244	240	235		
CAMA 500/B	90 S/4	1	1.1	1380	76																85	83	82	80	
CAMA 500/A	90 L/4	1.3	1.5	1380	77																97	96	94	91	
CAMA 560/B	100 LA/4	1.8	2.2	1410	71																			108	
CAMA 560/A	100 LB/4	2.4	3	1410	73																				122

Flow margin ±5%
Noise level margin + 3... 5 dB

Model	Frame	kW abs	kW inst.	r.p.m.	dB	V m ³ /s																					
						0.85	0.95	1.05	1.15	1.3	1.5	1.7	1.9	2.1	2.3	2.6	3	3.3	3.7	4.2	4.7						
						Pt kgf/m ² = mmH ₂ O																					
CAMA 310/B	80 B/2	0.8	1.1	2820	75	64																					
CAMA 310/A	90 S/2	1	1.5	2840	78	85																					
CAMA 350/B	90 S/2	1.43	1.5	2840	79	122	99	83																			
CAMA 350/A	90 L/2	1.87	2.2	2840	80	146	127	111																			
CAMA 400/B	100 L/2	2.8	3	2850	83	202	188	169	150	132	103																
CAMA 400/A	112 MA/2	3.5	4	2860	84	226	216	197	183	160	132																
CAMA 450/B	132 SA/2	5	5.5	2880	86	282	277	273	259	240	216	197	165	132	94												
CAMA 450/A	132 SB/2	5.8	7.5	2900	89	324	320	317	306	282	263	240	207	174	118												
CAMA 500/B	160 MA/2	9	11	2910	92				362	357	353	329	306	282	254	216	169	113									
CAMA 500/A	160 MB/2	12	15	2930	93				414	409	404	386	357	338	306	263	221	169									
CAMA 560/B	160 L/2	16	18.5	2940	95							456	451	442	414	385	353	320	268	212	141						
CAMA 560/A	180 M/2	20	22	2950	98							522	517	508	489	451	423	385	334	277	207						
CAMA 500/B	90 S/4	1	1.1	1380	76	75	71	66	58	49	38																
CAMA 500/A	90 L/4	1.3	1.5	1380	77	89	83	77	71	61	52																
CAMA 560/B	100 LA/4	1.8	2.2	1410	71	106	105	102	96	89	85	75	66	52													
CAMA 560/A	100 LB/4	2.4	3	1410	73	121	120	118	113	103	99	89	80	66													
CAMA 630/B	112 M/4	3.4	4	1410	76				132	130	128	124	122	113	103	94	89	64	47								
CAMA 630/A	132 S/4	4.2	5.5	1420	79				153	152	151	146	141	132	122	116	99	80	66								
CAMA 710/B	132 MA/4	6.5	7.5	1430	81							179	177	174	169	165	150	149	132	99	89	71					
CAMA 710/A	160 M/4	8	11	1465	82							202	201	197	193	188	179	171	150	127	113	85					
CAMA 800/B	160 L/4	12	15	1465	83										235	230	226	221	216	207	197	179					
CAMA 800/A	180 M/4	16	18.5	1470	86										263	261	259	252	243	233	202	193					
CAMA 900/B	200 L/4	25	30	1470	88															315	310	306	301	296			
CAMA 900/A	225 S/4	35	37	1480	90															357	353	348	343	338			
CAMA 1000/B	225 M/4	43	45	1480	91																				385	381	
CAMA 1000/A	250 M/4	50	55	1480	93																					442	437
CAMA 800/B	132 MA/6	3.4	4	950	74						99	94	92	91	89	87	80	75	66	56	39						
CAMA 800/A	132 MB/6	4.2	5.5	950	75						111	108	107	105	103	102	94	85	75	66	54						
CAMA 900/B	160 M/6	7	7.5	960	76										132	129	129	127	125	122	122	113	103				
CAMA 900/A	160 L/6	9	11	960	78										150	148	146	143	141	136	132	127	122				
CAMA 1000/B	180 L/6	12	15	970	79													169	165	164	162	160	155				
CAMA 1000/A	200 LA/6	16	18.5	975	81													188	186	183	179	177	174				
CAMA 1120/B	200 LB/6	20	22	975	84																	207	202	197			
CAMA 1120/A	225 M/6	28	30	980	87																		237	235	230		

Flow margin ±5%
Noise level margin + 3... 5 dB

LARGE SERIES

QUICK SELECT SYSTEM 4

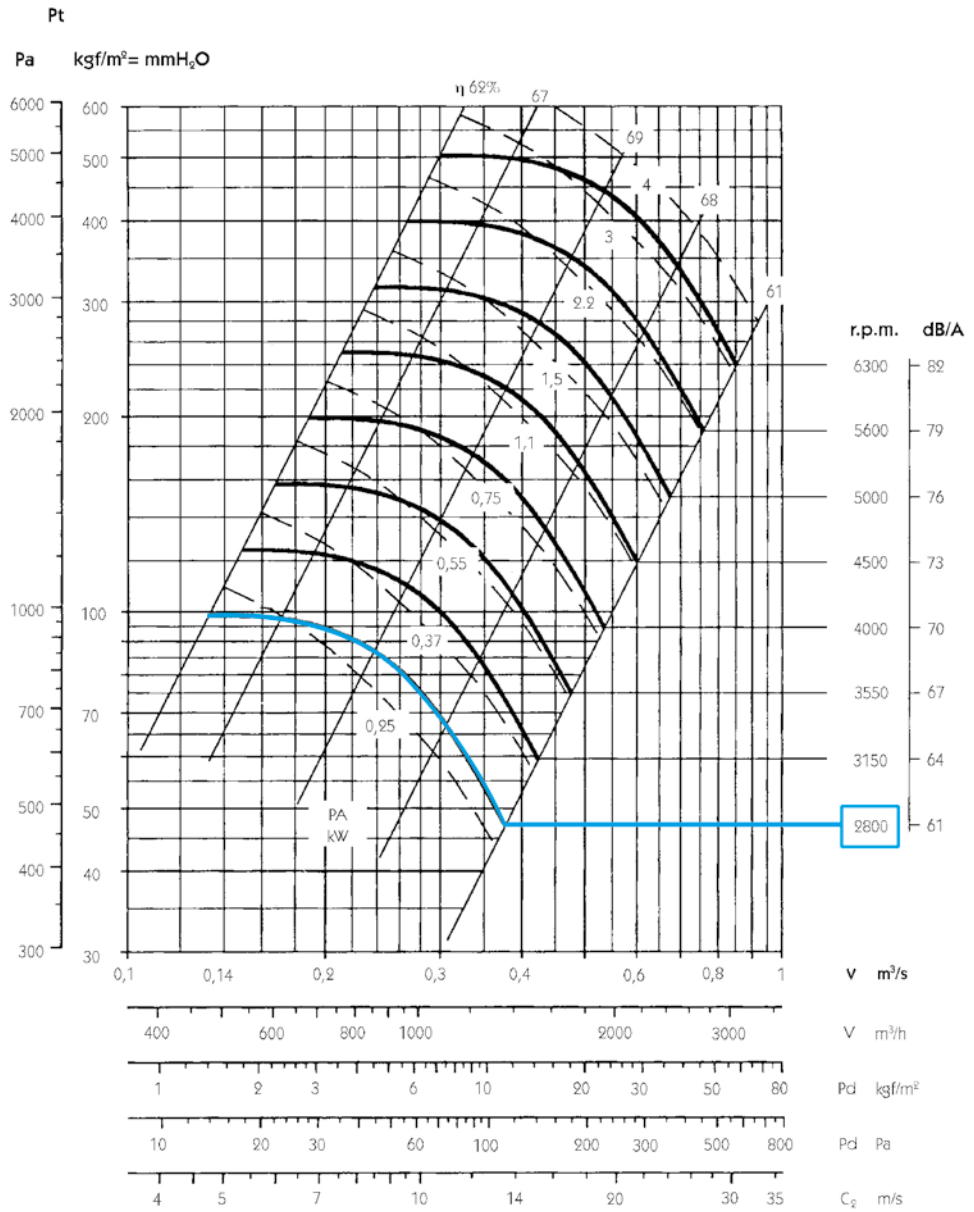
Inlet characteristics

Model	Frame	kW abs	kW inst.	r.p.m.	dB	V m³/s													
						5.3	6	6.7	7.5	8.5	9.5	10.5	12	13	15	17	19	21	23
Pt kgf/m² = mmH ₂ O																			
CAMA 800/B	160 L/4	12	15	1465	83	160	122	89											
CAMA 800/A	180 M/4	16	18.5	1470	86	169	146	122											
CAMA 900/B	200 L/4	25	30	1470	88	291	277	259	240	212	169								
CAMA 900/A	225 S/4	35	37	1480	90	329	315	296	277	244	216								
CAMA 1000/B	225 M/4	43	45	1480	91	376	371	367	357	338	320	296	263	216					
CAMA 1000/A	250 M/4	50	55	1480	93	432	428	418	409	390	367	343	315	273					
CAMA 1120/B	280 S/4	74	75	1485	96		484	479	475	470	465	451	428	404	371	315	273		
CAMA 1120/A	280 M/4	88	90	1485	98		555	550	545	536	526	512	489	461	428	385	329		
CAMA 900/B	160 M/6	7	7.5	960	76	91	82												
CAMA 900/A	160 L/6	9	11	960	78	113	103												
CAMA 1000/B	180 L/6	12	15	970	79	150	141	132	118	94									
CAMA 1000/A	200 LA/6	16	18.5	975	81	169	162	150	141	127									
CAMA 1120/B	200 LB/6	20	22	975	84	196	193	190	188	174	155	141	122						
CAMA 1120/A	225 M/6	28	30	980	87	227	226	224	216	207	193	174	155						
CAMA 1250/B	250 M/6	35	37	980	89	268	263	259	254	254	244	230	226	221	202	179	150		
CAMA 1250/A	280 S/6	43	45	985	91	306	301	296	293	289	282	280	263	254	235	207	179		
CAMA 1400/B	280 M/6	53	55	985	93				329	324	320	318	315	306	291	273	254	244	235
CAMA 1400/A	315 S/6	73	75	990	93				385	381	379	376	371	367	353	343	320	296	282

Flow margin $\pm 5\%$
Noise level margin + 3... 5 dB

Characteristic curves

CAMA 250



LARGE SERIES

Flow margin ±5%
 Noise level margin +3 db
 Margin of kW absorbed ±3%

Outlet characteristics.

Maximum admissible Rpm

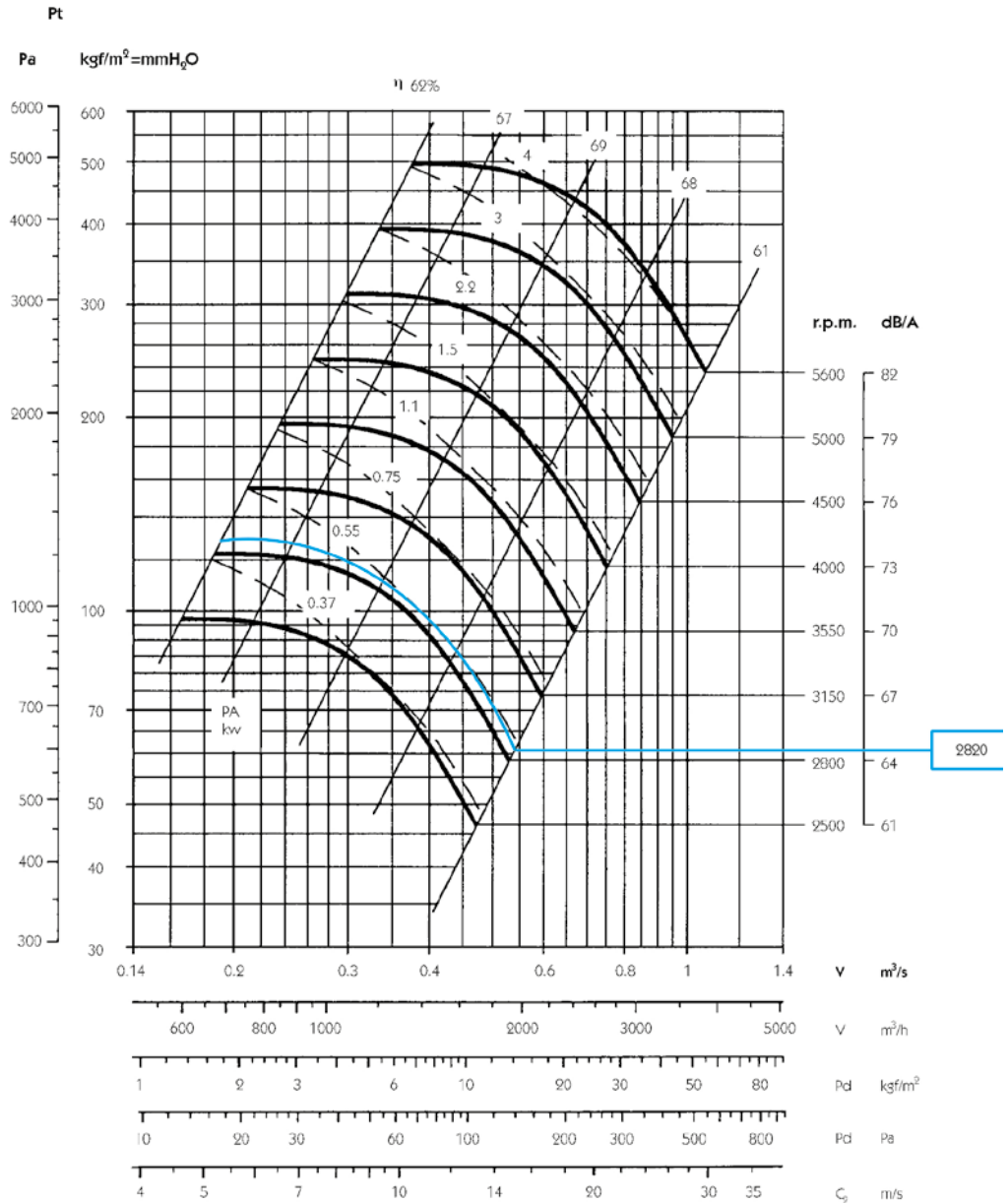
Class 1	
≤ 100 °C	5600
100 ... 200 °C	5000
200 ... 300 °C	4500

Rpm

Characteristics for: system 4 and 5 in direct drive motor with 2/4/6/8 poles depending on the model.

Characteristic curves

CAMA 280



Flow margin $\pm 5\%$
 Noise level margin +3 db
 Margin of kW absorbed $\pm 3\%$

Outlet characteristics.

Maximum admissible Rpm

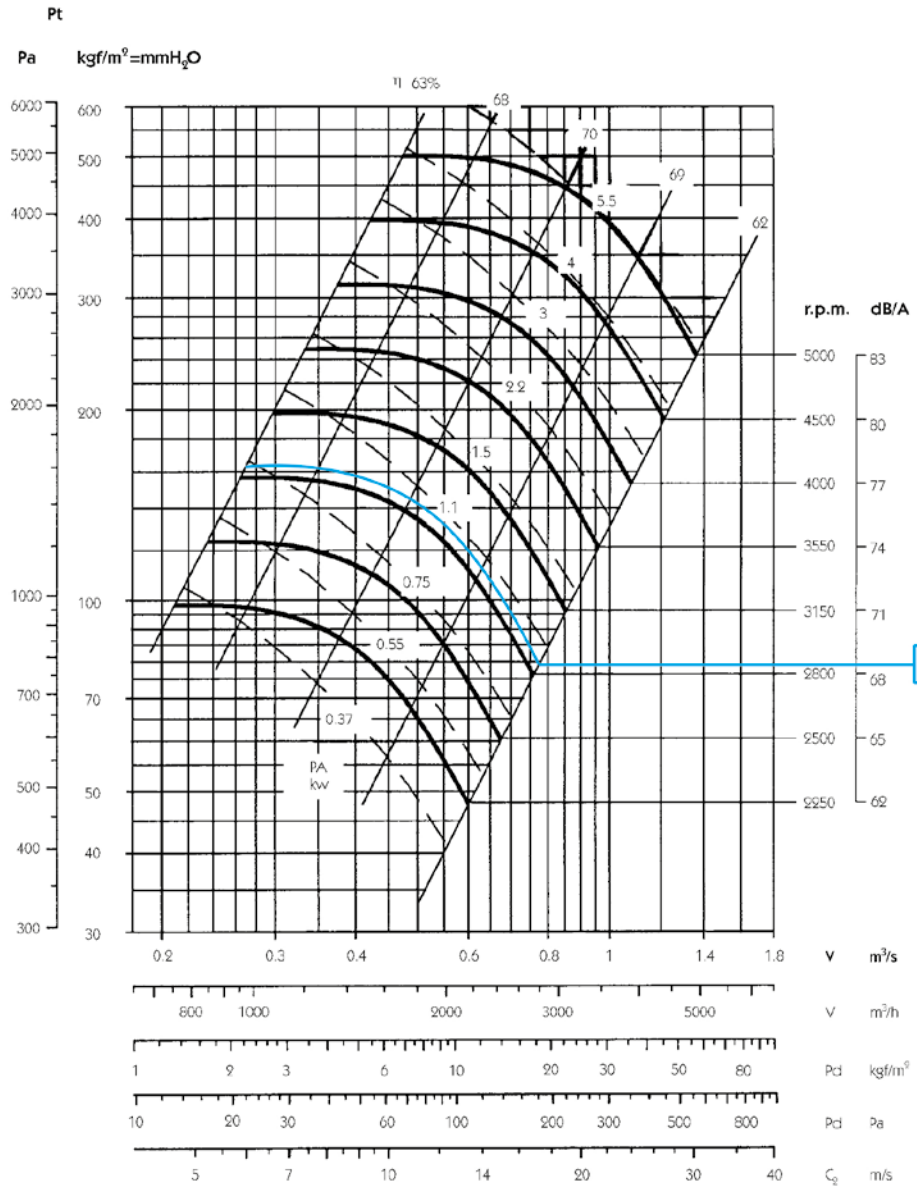
Class 1	
≤ 100 °C	5000
100 ... 200 °C	4500
200 ... 300 °C	4000

Rpm

Characteristics for: system 4 and 5 in direct drive motor with 2/4/6/8 poles depending on the model.

Characteristic curves

CAMA 310



LARGE SERIES

Flow margin ±5%
 Noise level margin +3 db
 Margin of kW absorbed ±3%

Outlet characteristics.

Maximum admissible Rpm

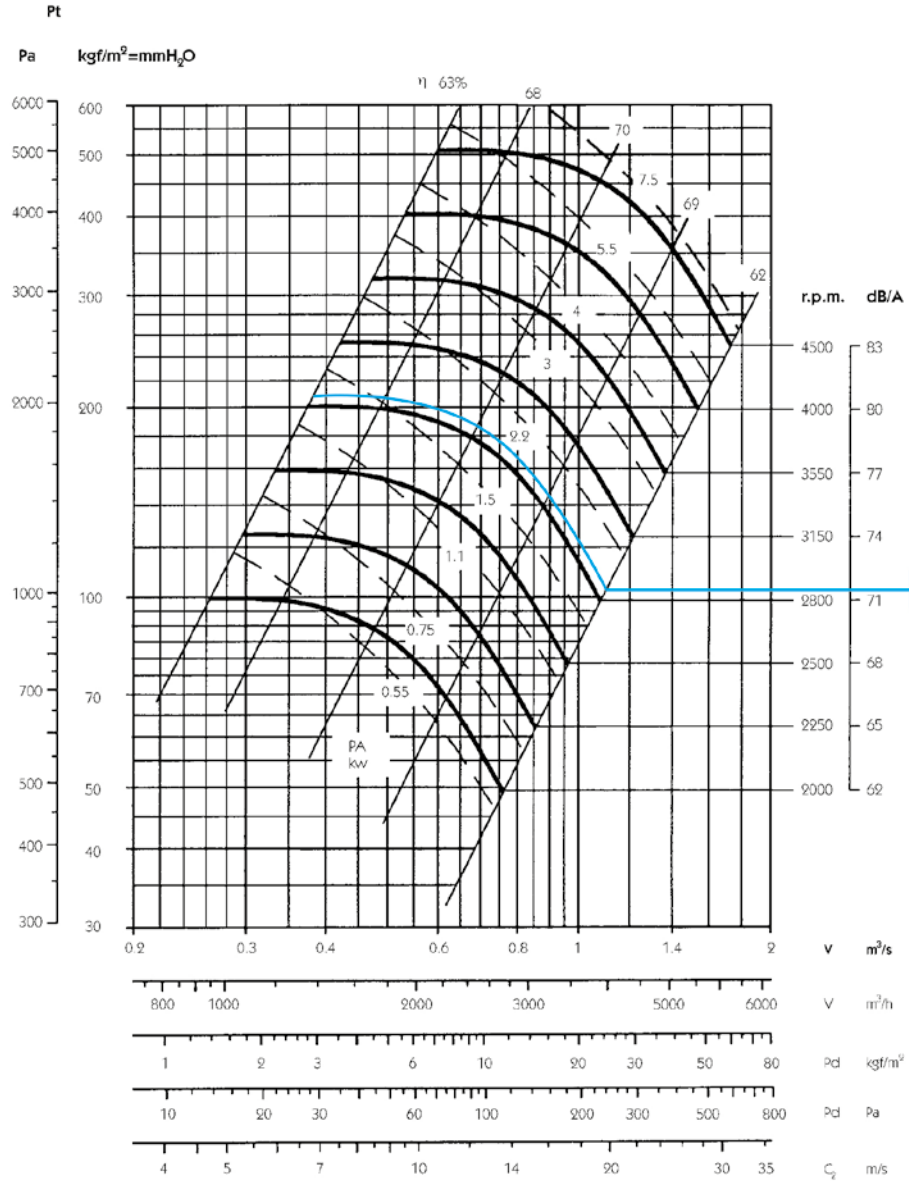
Class 1	
≤ 100 °C	4500
100 ... 200 °C	4000
200 ... 300 °C	3550

Rpm

Characteristics for: system 4 and 5 in direct drive motor with 2/4/6/8 poles depending on the model.

Characteristic curves

CAMA 350



LARGE SERIES

Flow margin $\pm 5\%$
 Noise level margin +3 db
 Margin of kW absorbed $\pm 3\%$

Outlet characteristics.

Maximum admissible Rpm

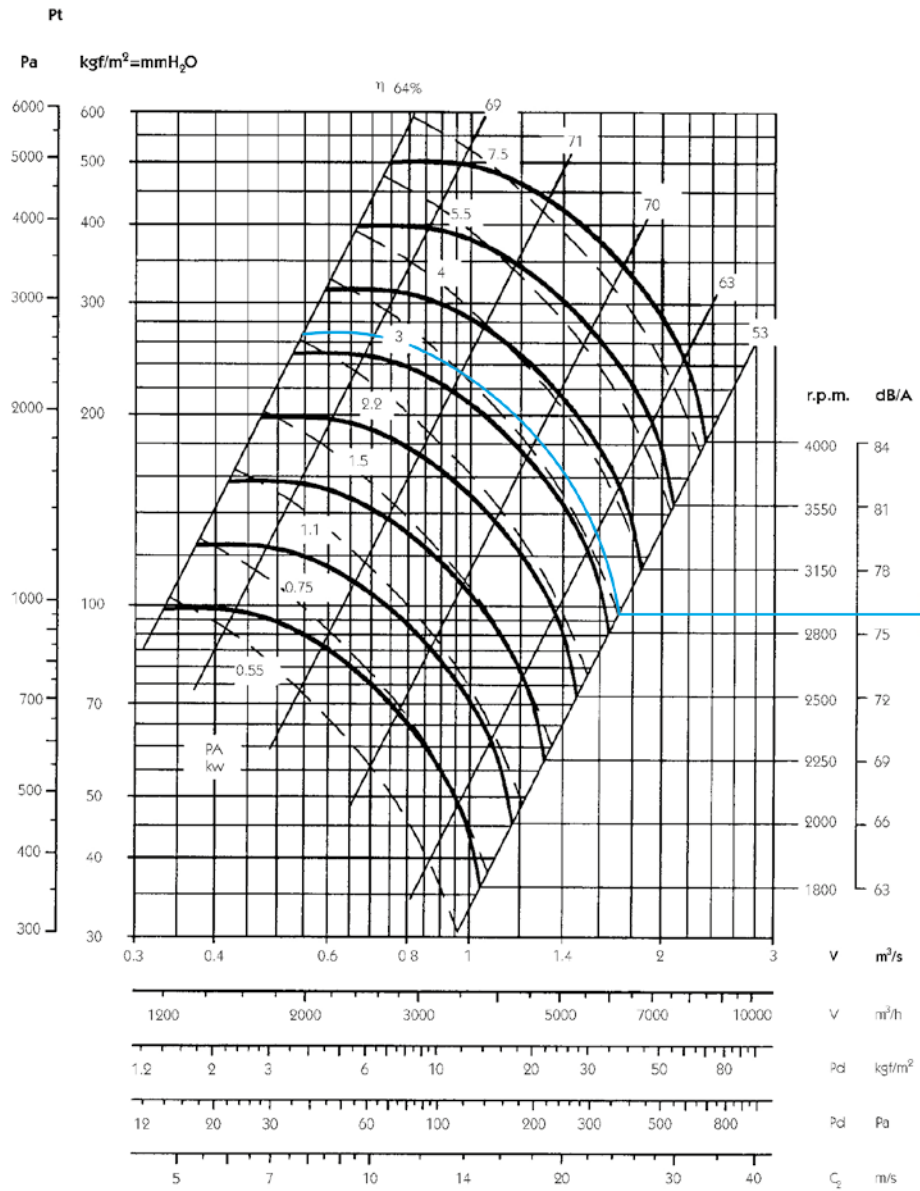
Class 1	
$\leq 100\text{ }^{\circ}\text{C}$	4000
100 ... 200 $^{\circ}\text{C}$	3550
200 ... 300 $^{\circ}\text{C}$	3150

Rpm

Characteristics for: system 4 and 5 in direct drive motor with 2/4/6/8 poles depending on the model.

Characteristic curves

CAMA 400



LARGE SERIES

Flow margin ±5%
 Noise level margin +3 db
 Margin of kW absorbed ±3%

Outlet characteristics.

Maximum admissible Rpm

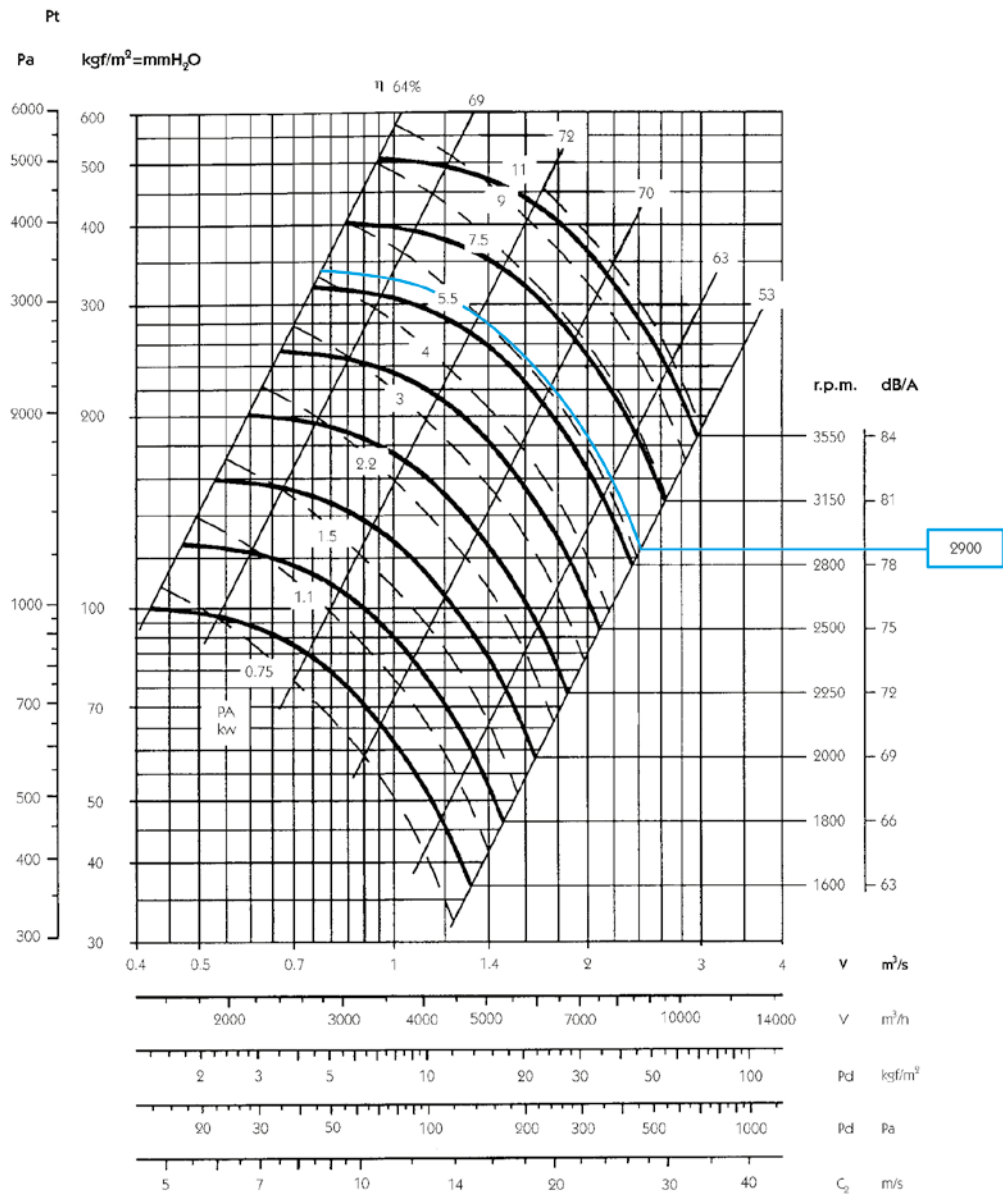
Class 1	
≤ 100 °C	3550
100 ... 200 °C	3150
200 ... 300 °C	2800

Rpm

Characteristics for: system 4 and 5 in direct drive motor with 2/4/6/8 poles depending on the model.

Characteristic curves

CAMA 450



Flow margin ±5%
 Noise level margin +3 db
 Margin of kW absorbed ±3%

Outlet characteristics.

Maximum admissible Rpm

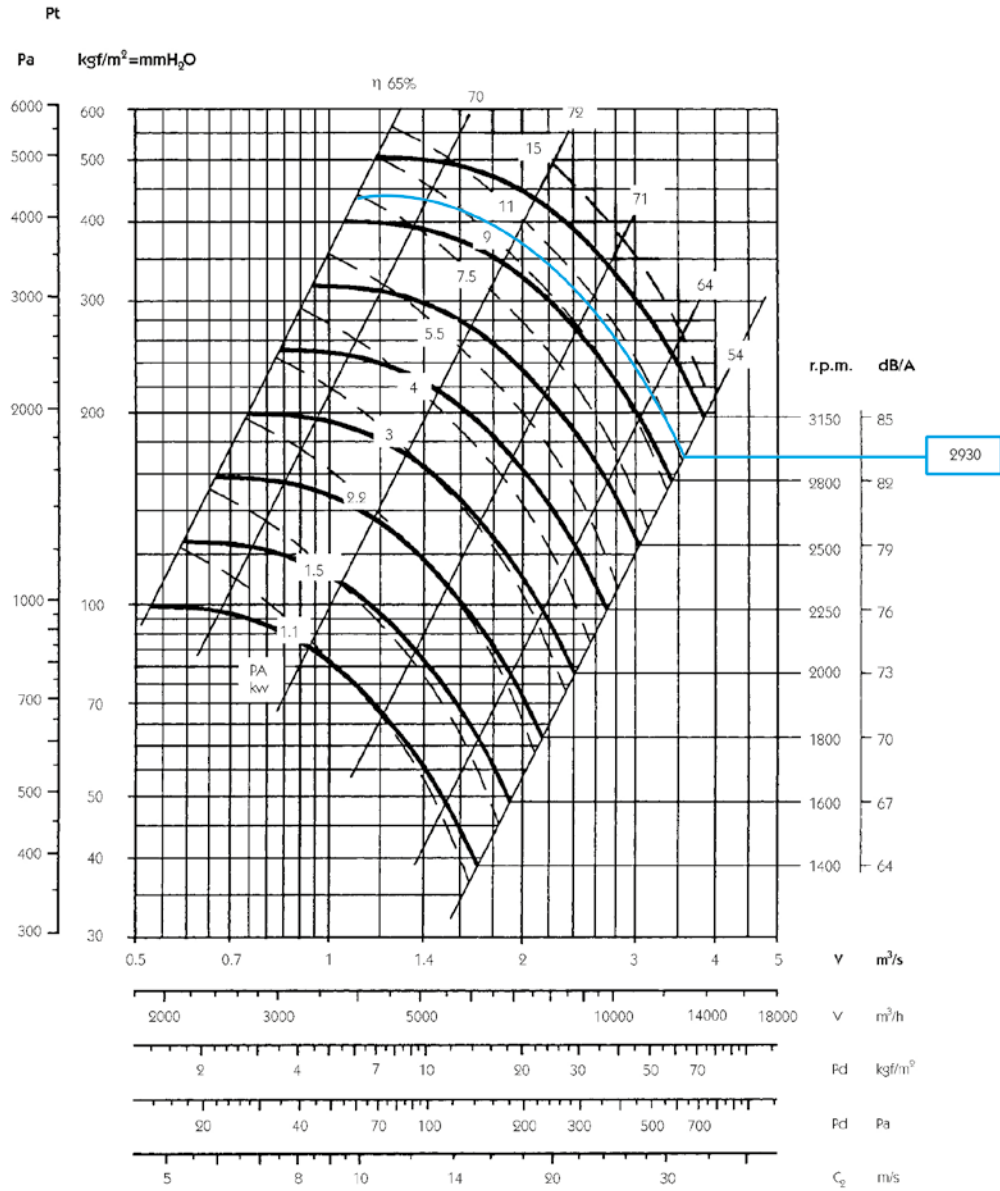
Class 1	
≤ 100 °C	3150
100 ... 200 °C	2800
200 ... 300 °C	2500

Rpm

Characteristics for: system 4 and 5 in direct drive motor with 2/4/6/8 poles depending on the model.

Characteristic curves

CAMA 500



LARGE SERIES

Flow margin ±5%
 Noise level margin +3 db
 Margin of kW absorbed ±3%

Outlet characteristics.

Maximum admissible Rpm

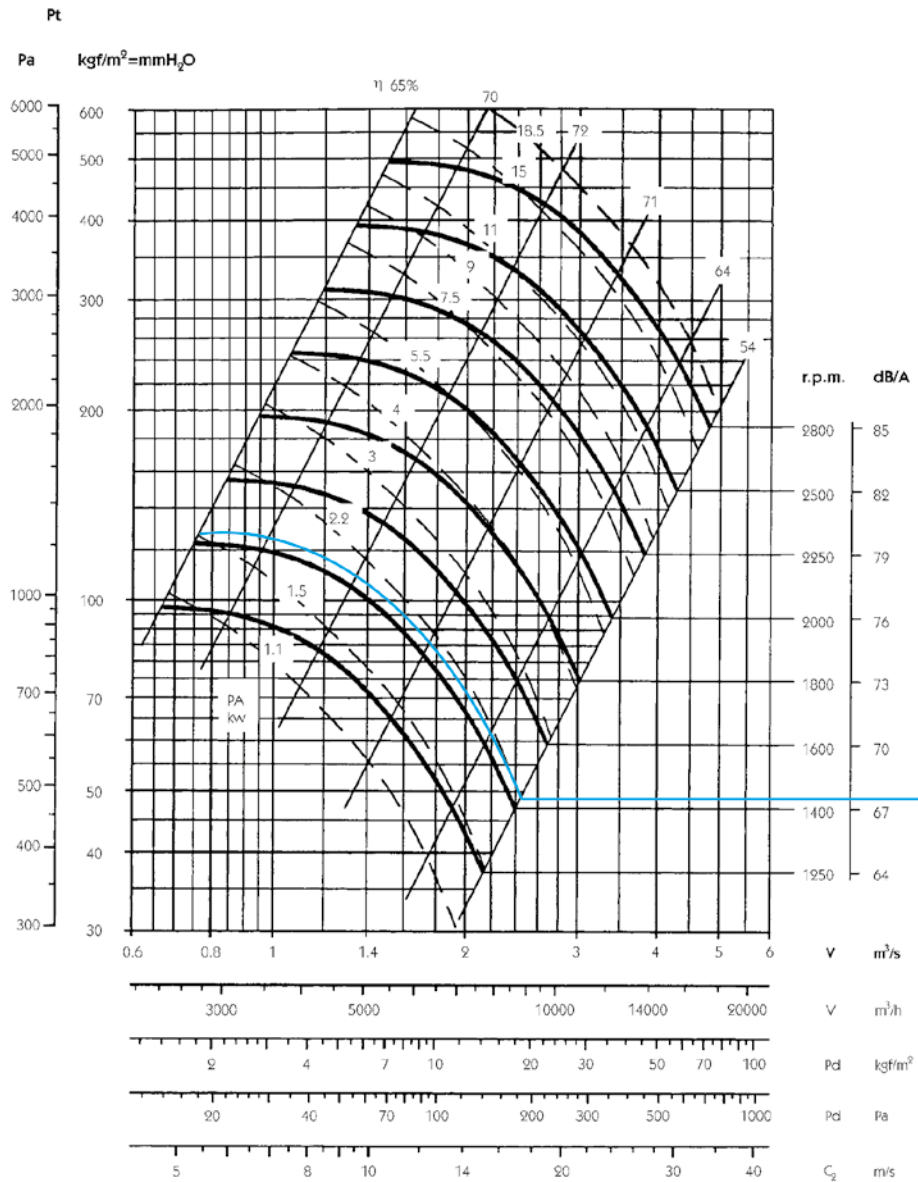
Class 1	
≤ 100 °C	2800
100 ... 200 °C	2500
200 ... 300 °C	2250

Rpm

Characteristics for: system 4 and 5 in direct drive motor with 2/4/6/8 poles depending on the model.

Characteristic curves

CAMA 560



Flow margin $\pm 5\%$
 Noise level margin +3 db
 Margin of kW absorbed $\pm 3\%$

Outlet characteristics.

Maximum admissible Rpm

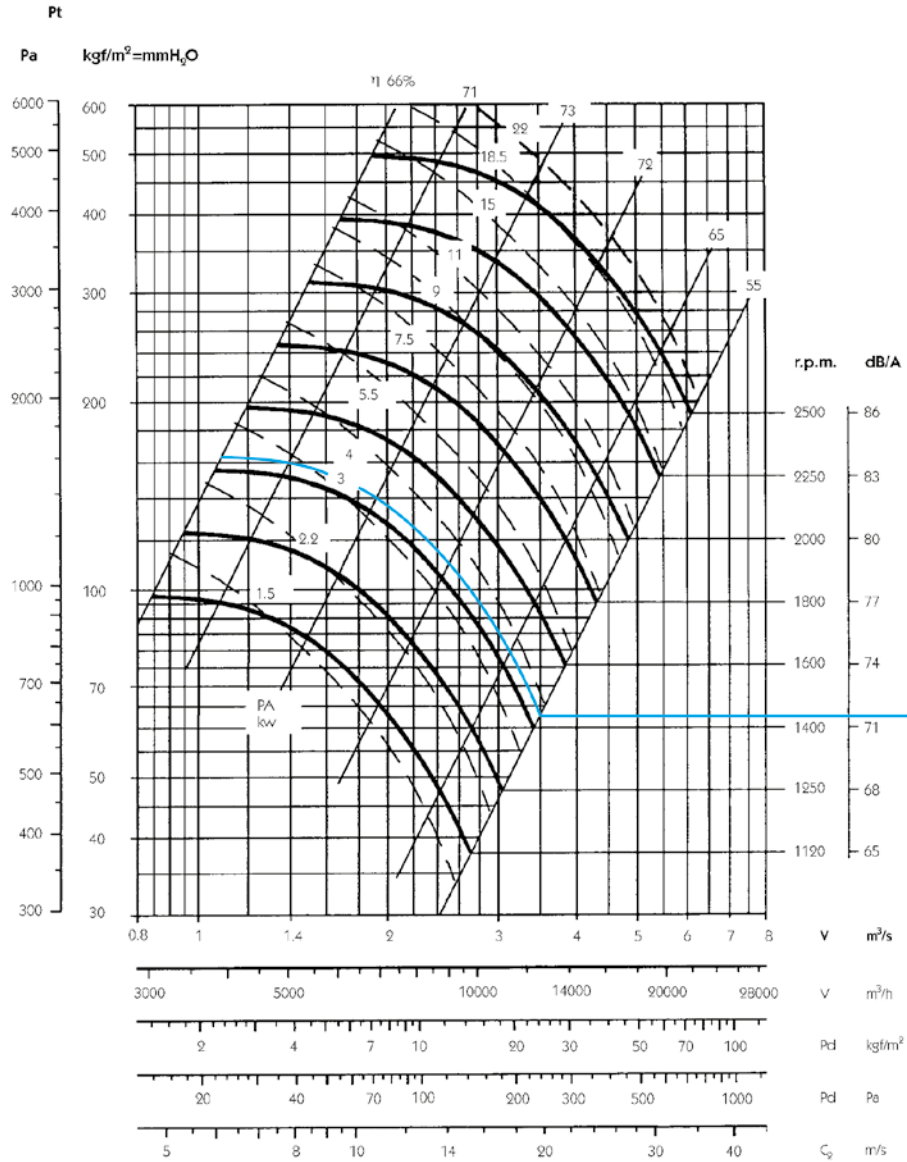
Class 1	
$\leq 100\text{ }^{\circ}\text{C}$	2500
100 ... 200 $^{\circ}\text{C}$	2250
200 ... 300 $^{\circ}\text{C}$	2000

Rpm

Characteristics for: system 4 and 5 in direct drive motor with 2/4/6/8 poles depending on the model.

Characteristic curves

CAMA 630



LARGE SERIES

Flow margin ±5%
 Noise level margin +3 db
 Margin of kW absorbed ±3%

Outlet characteristics.

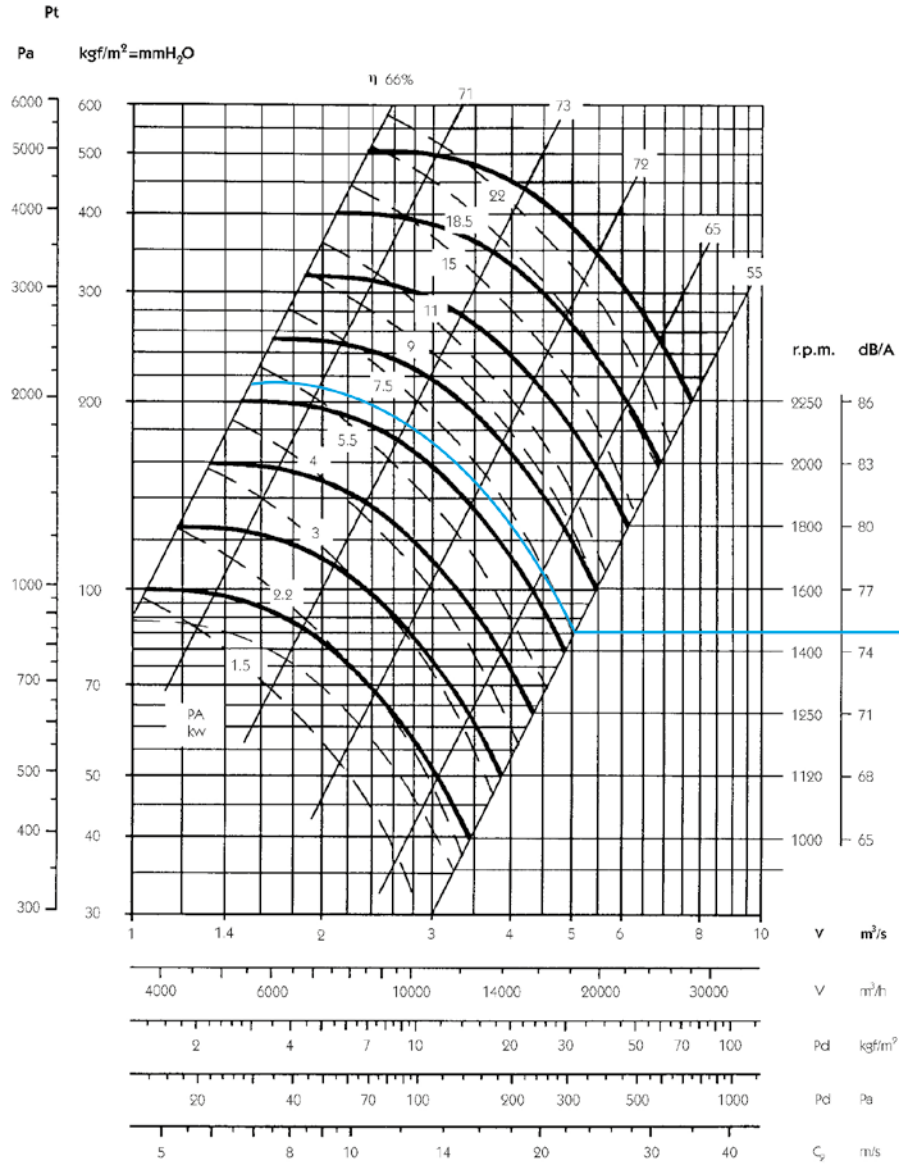
Maximum admissible Rpm

Class 1	
≤ 100 °C	2250
100 ... 200 °C	2000
200 ... 300 °C	1800

Rpm Characteristics for: system 4 and 5 in direct drive motor with 2/4/6/8 poles depending on the model.

Characteristic curves

CAMA 710



Flow margin $\pm 5\%$
 Noise level margin +3 db
 Margin of kW absorbed $\pm 3\%$

Outlet characteristics.

Maximum admissible Rpm

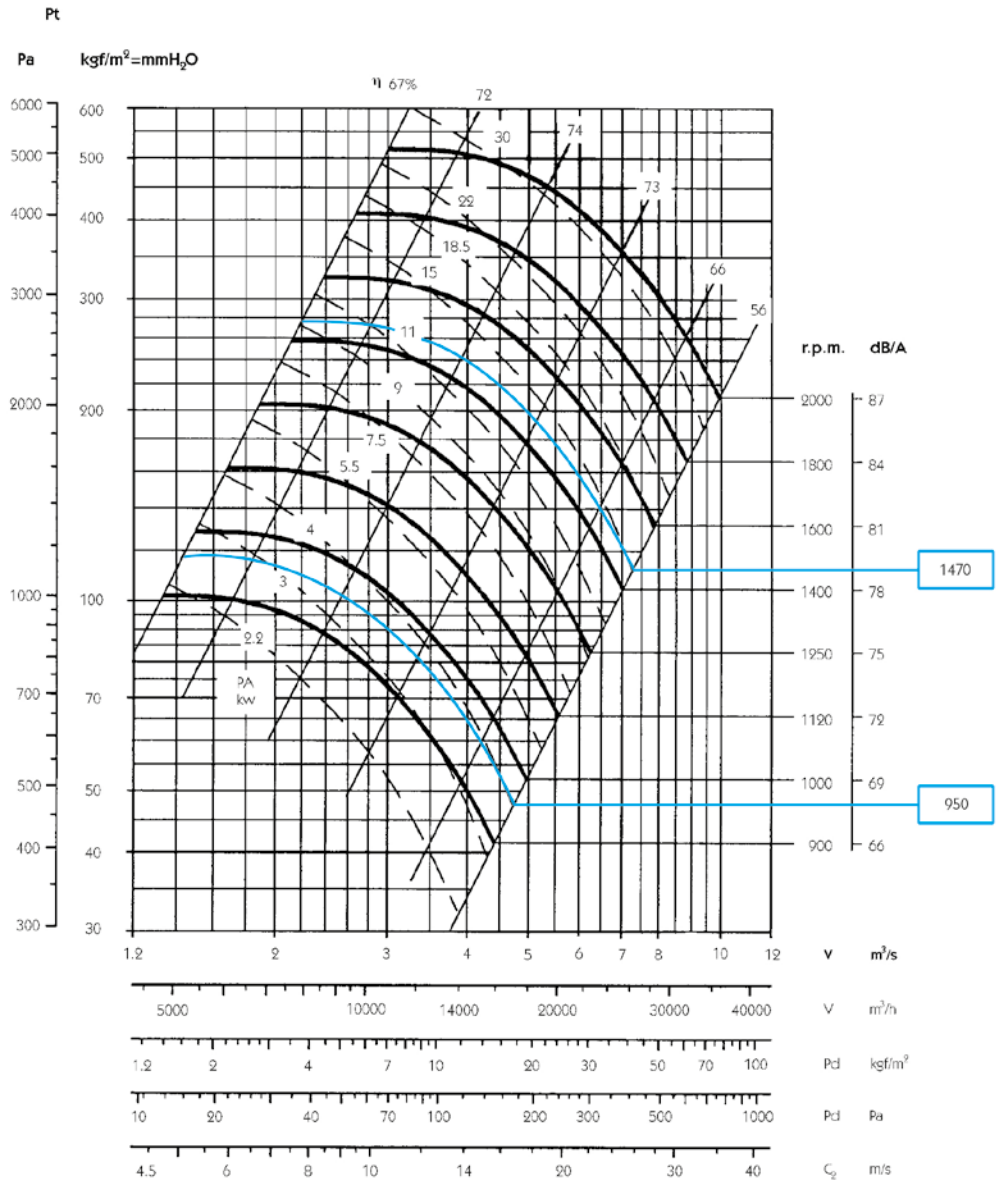
Class 1	
$\leq 100\text{ }^{\circ}\text{C}$	2000
100 ... 200 $^{\circ}\text{C}$	1800
200 ... 300 $^{\circ}\text{C}$	1600

Rpm

Characteristics for: system 4 and 5 in direct drive motor with 2/4/6/8 poles depending on the model.

Characteristic curves

CAMA 800



LARGE SERIES

Flow margin $\pm 5\%$
 Noise level margin +3 db
 Margin of kW absorbed $\pm 3\%$

Outlet characteristics.

Maximum admissible Rpm

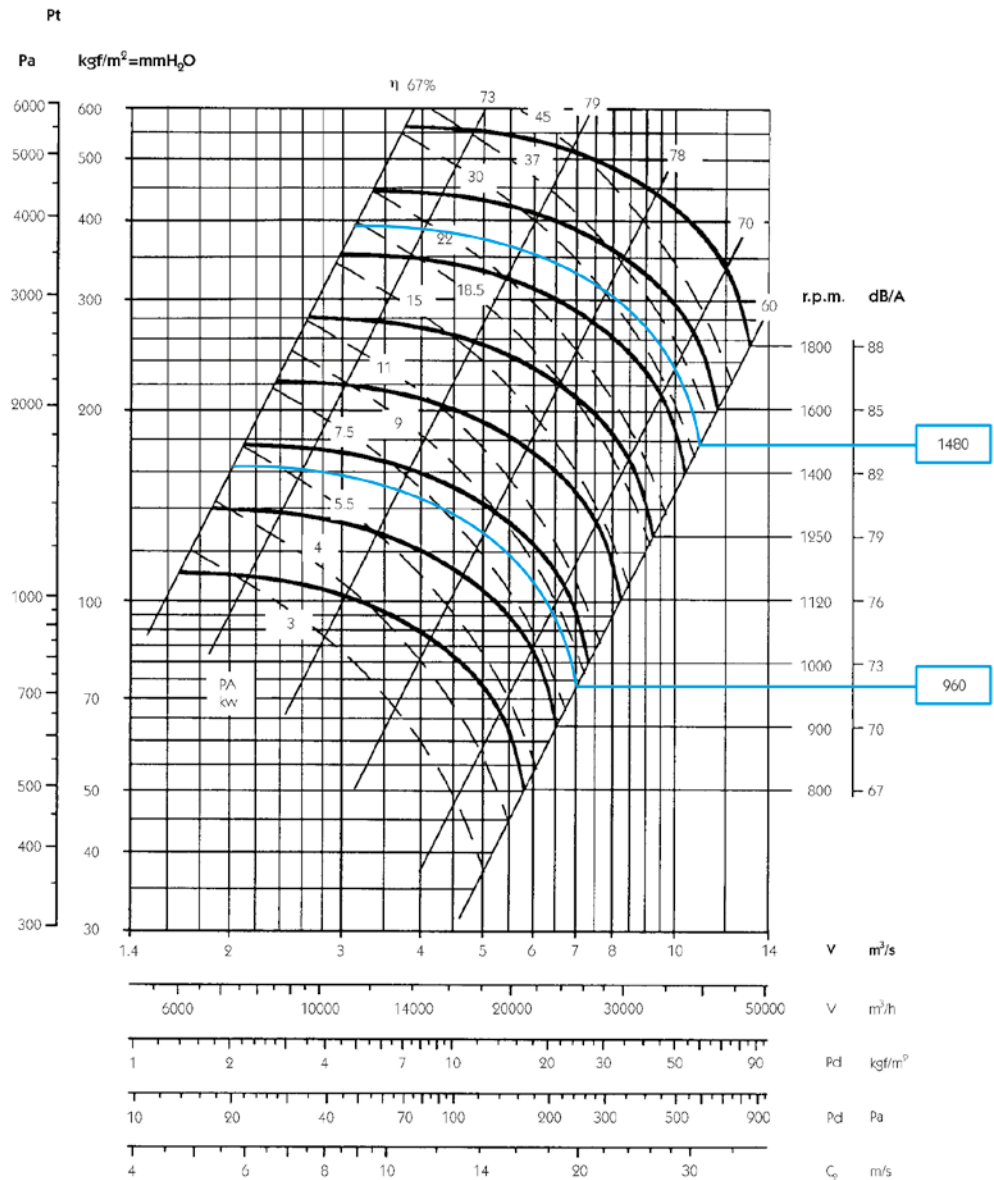
Class 1	
$\leq 100^\circ\text{C}$	1800
100 ... 200 $^\circ\text{C}$	1600
200 ... 300 $^\circ\text{C}$	1400

Rpm

Characteristics for: system 4 and 5 in direct drive motor with 2/4/6/8 poles depending on the model.

Characteristic curves

CAMA 900



Flow margin $\pm 5\%$
 Noise level margin +3 db
 Margin of kW absorbed $\pm 3\%$

Outlet characteristics.

Maximum admissible Rpm

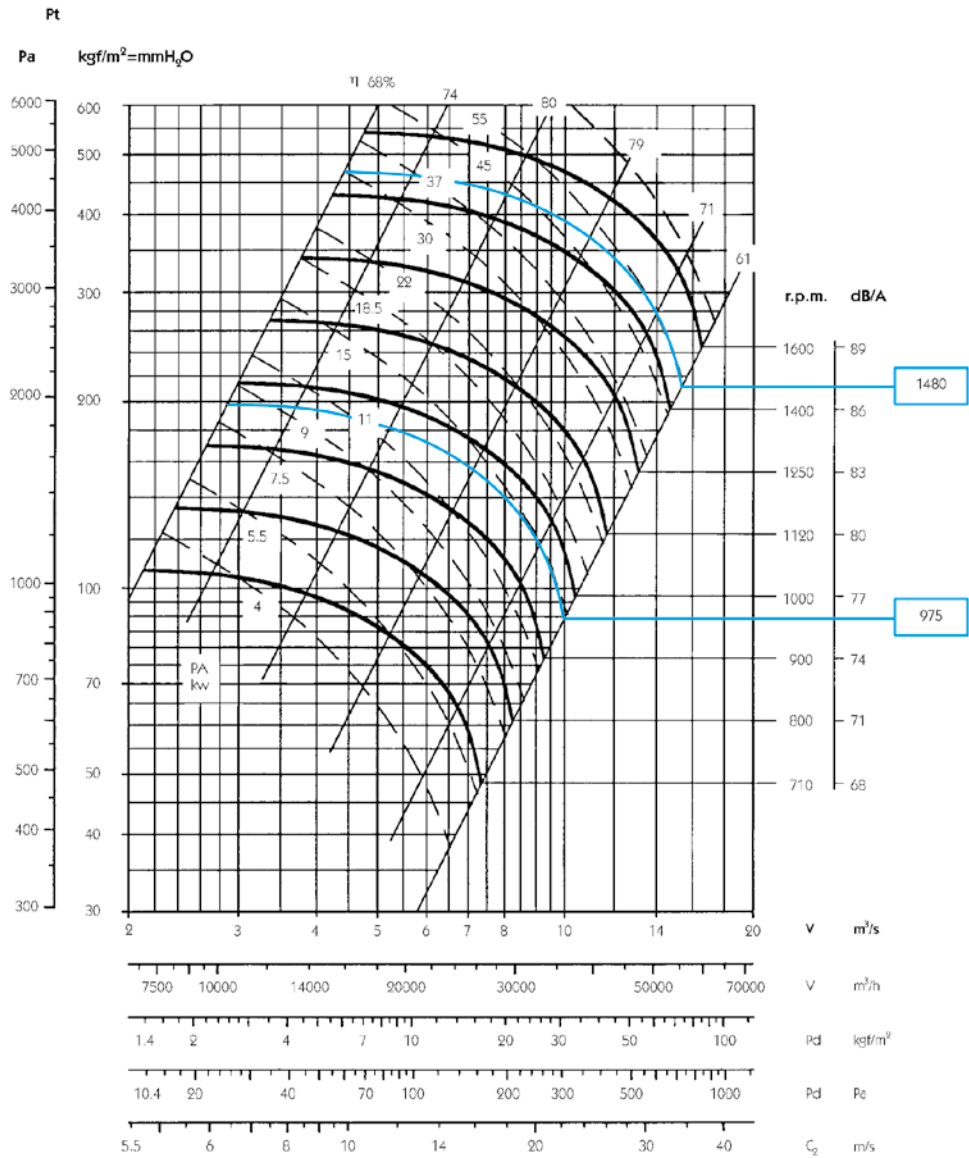
Class 1	
≤ 100 °C	1600
100 ... 200 °C	1400
200 ... 300 °C	1250

Rpm

Characteristics for: system 4 and 5 in direct drive motor with 2/4/6/8 poles depending on the model.

Characteristic curves

CAMA 1000



LARGE SERIES

Flow margin $\pm 5\%$
 Noise level margin +3 db
 Margin of kW absorbed $\pm 3\%$

Outlet characteristics.

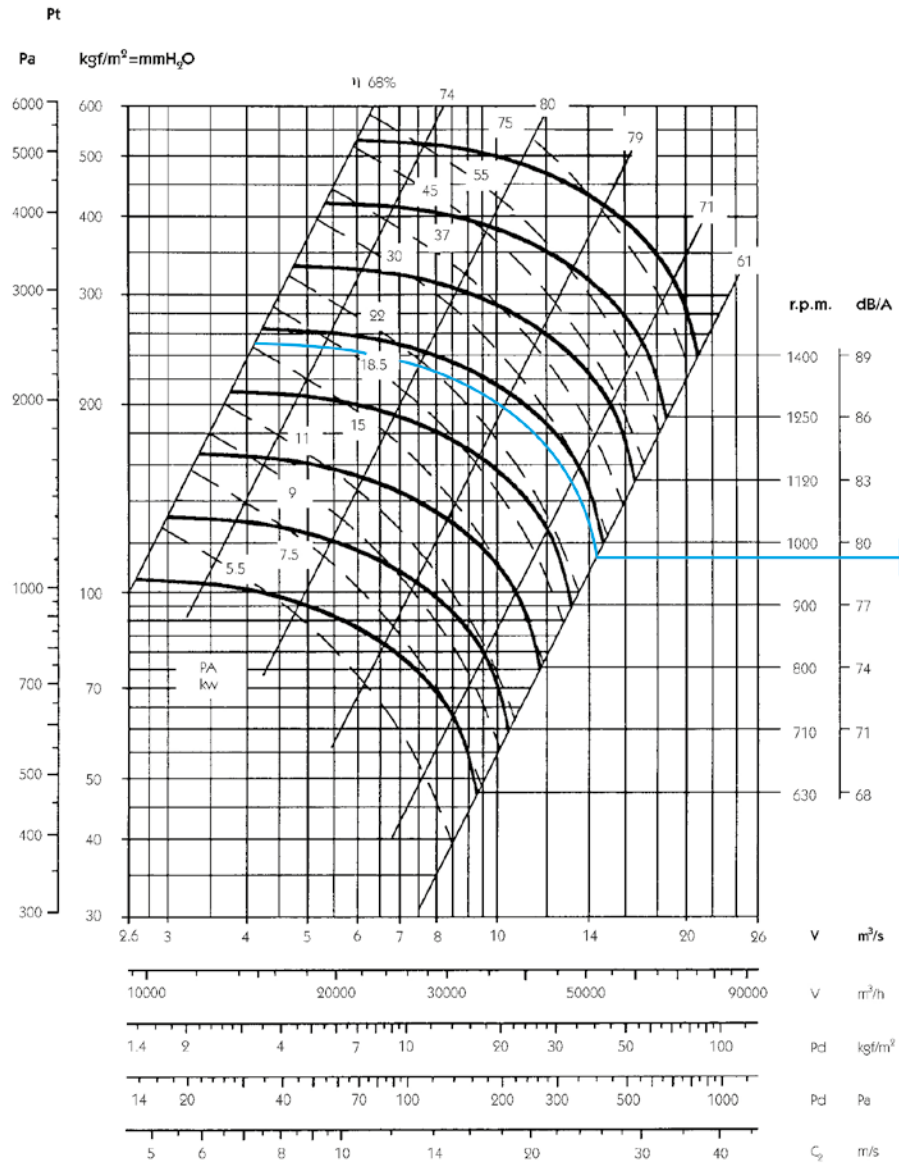
Maximum admissible Rpm

Class 1	
$\leq 100\text{ }^{\circ}\text{C}$	1400
100 ... 200 $^{\circ}\text{C}$	1250
200 ... 300 $^{\circ}\text{C}$	1120

Rpm Characteristics for: system 4 and 5 in direct drive motor with 2/4/6/8 poles depending on the model.

Characteristic curves

CAMA 1120



Flow margin $\pm 5\%$
 Noise level margin +3 db
 Margin of kW absorbed $\pm 3\%$

Outlet characteristics.

Maximum admissible Rpm

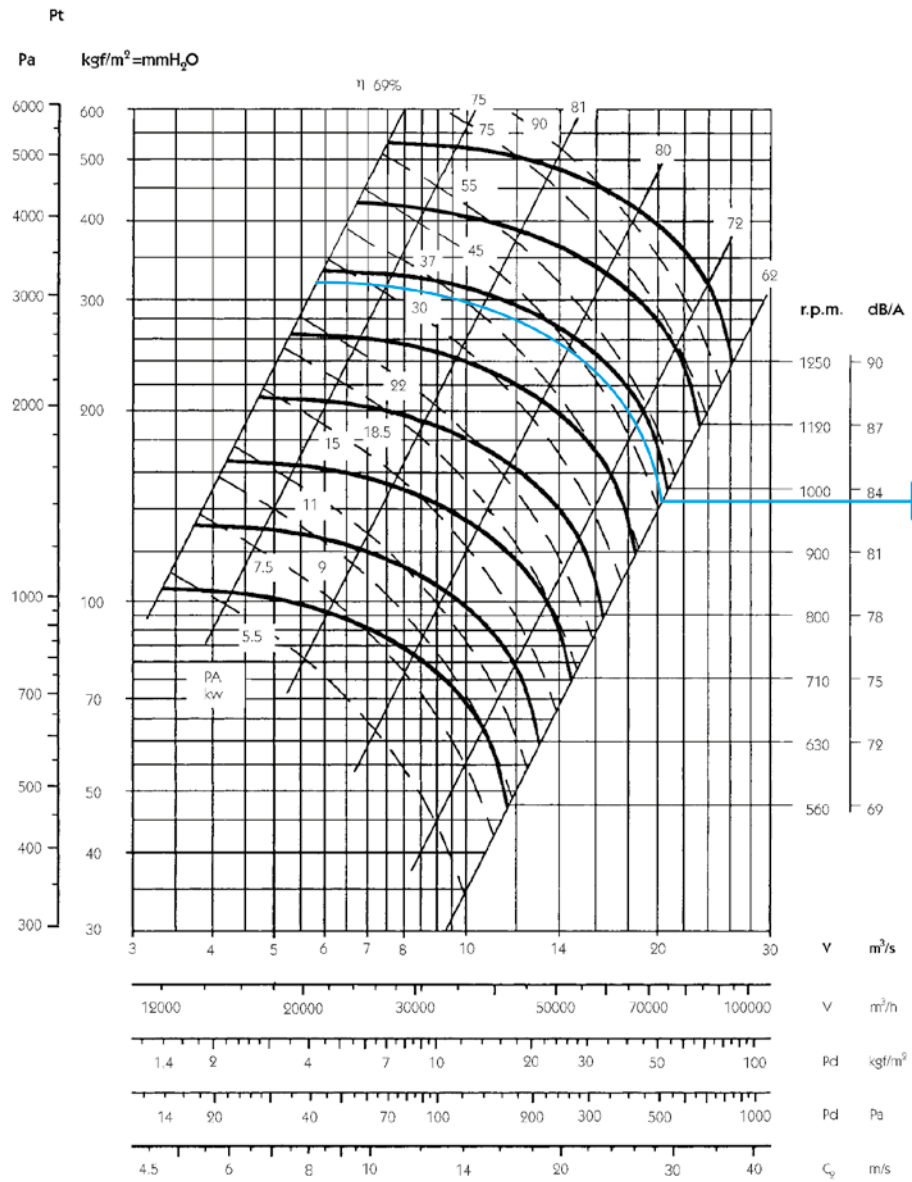
Class 1	
$\leq 100^\circ\text{C}$	1250
100 ... 200 $^\circ\text{C}$	1120
200 ... 300 $^\circ\text{C}$	1000

Rpm

Characteristics for: system 4 and 5 in direct drive motor with 2/4/6/8 poles depending on the model.

Characteristic curves

CAMA 1250



LARGE SERIES

Flow margin ±5%
 Noise level margin +3 db
 Margin of kW absorbed ±3%

Outlet characteristics.

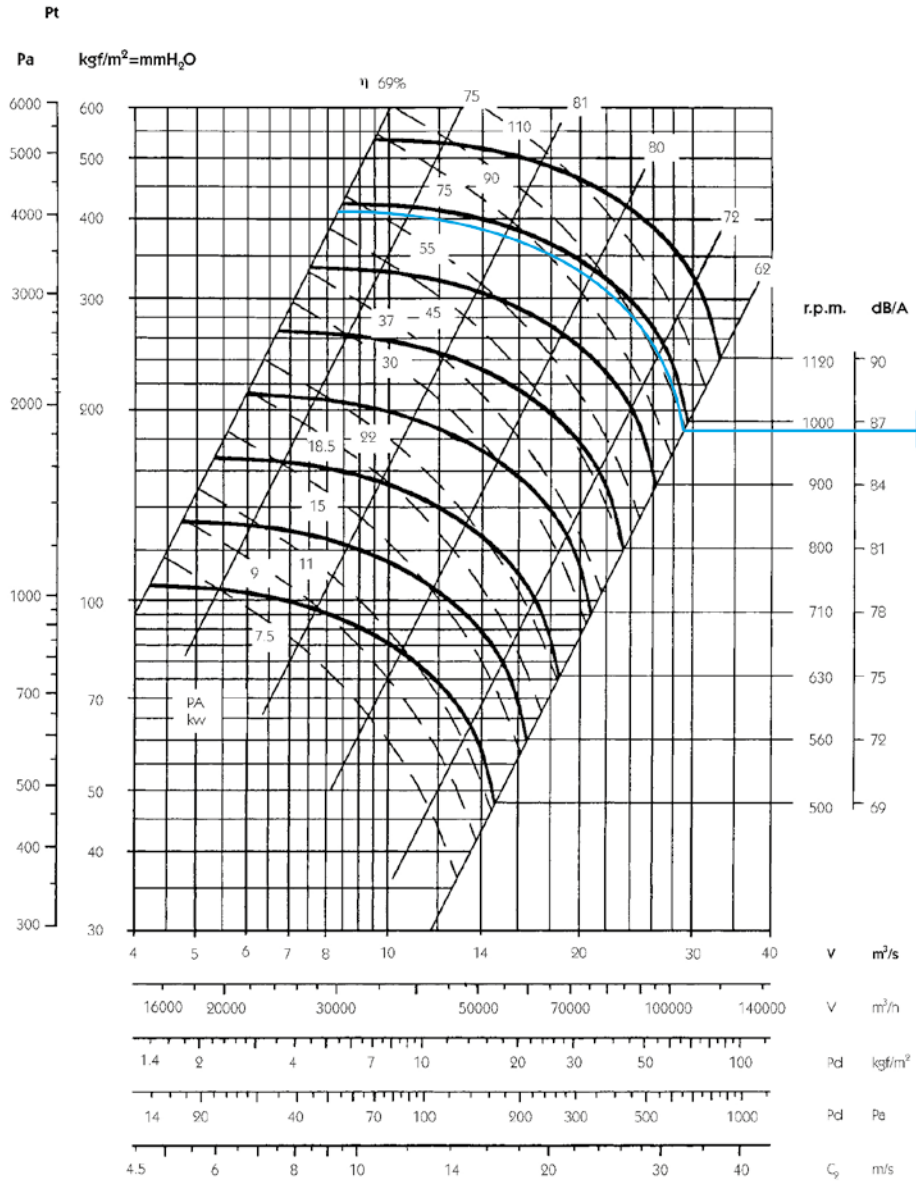
Maximum admissible Rpm

Class 1	
≤ 100 °C	1120
100 ... 200 °C	1000
200 ... 300 °C	900

Rpm Characteristics for: system 4 and 5 in direct drive motor with 2/4/6/8 poles depending on the model.

Characteristic curves

CAMA 1400



Flow margin ±5%
 Noise level margin +3 db
 Margin of kW absorbed ±3%

Outlet characteristics.

Maximum admissible Rpm

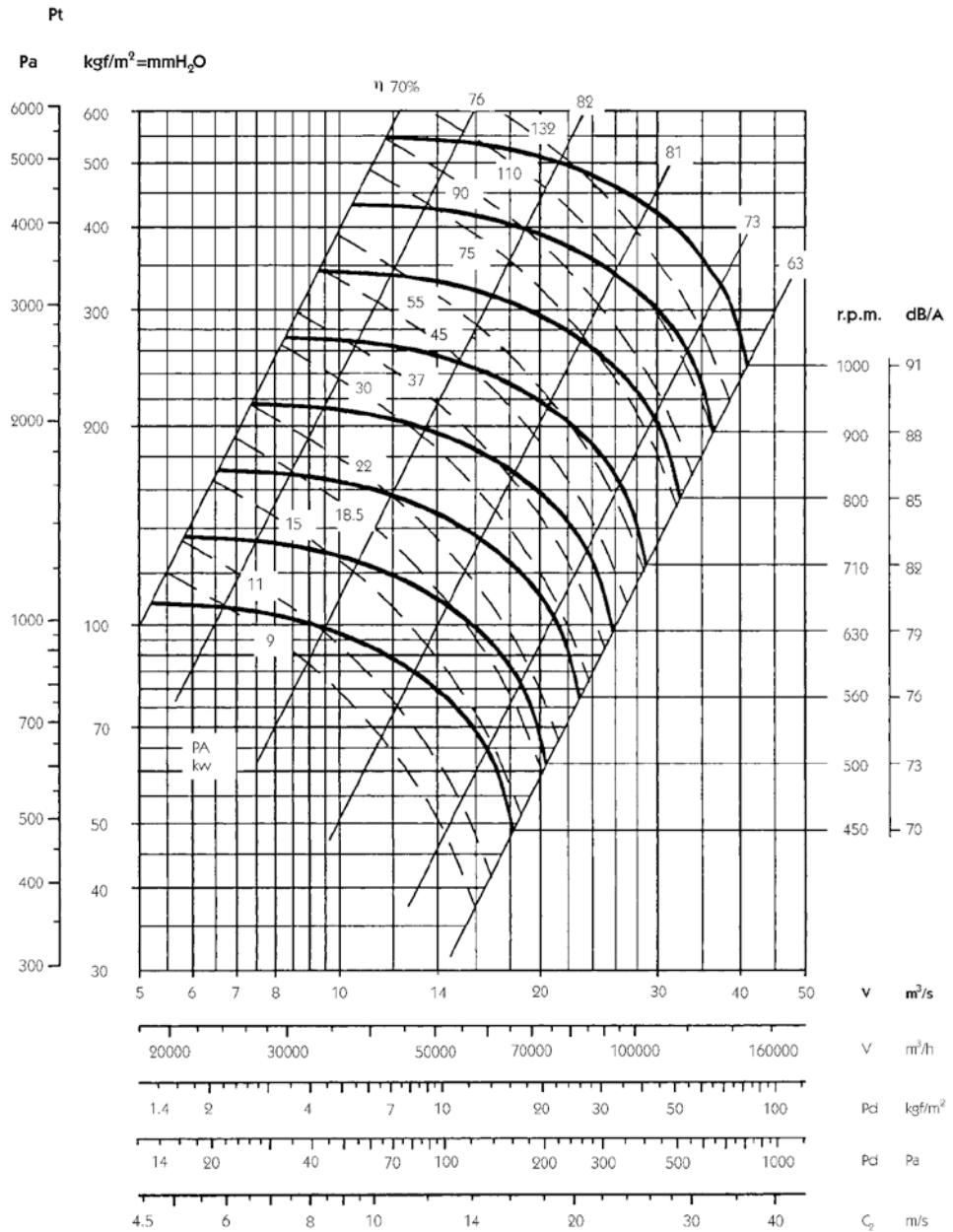
Class 1	
≤ 100 °C	1000
100 ... 200 °C	900
200 ... 300 °C	800

Rpm

Characteristics for: system 4 and 5 in direct drive motor with 2/4/6/8 poles depending on the model.

Characteristic curves

CAMA 1600



LARGE SERIES

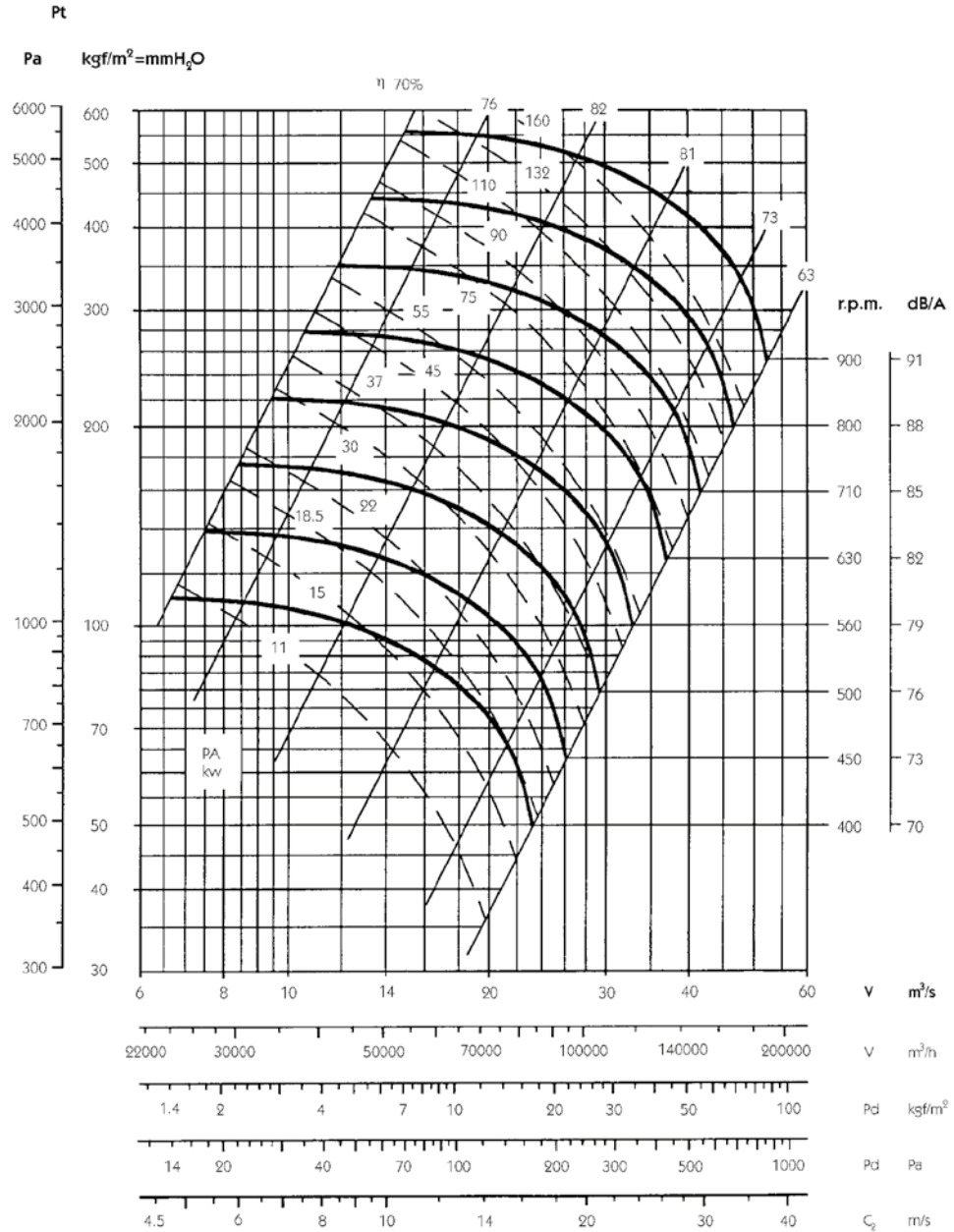
Flow margin ±5%
 Noise level margin +3 db
 Margin of kW absorbed ±3%

Maximum admissible Rpm

Class 1	
≤ 100 °C	900
100 ... 200 °C	800
200 ... 300 °C	710

Characteristic curves

CAMA 1800



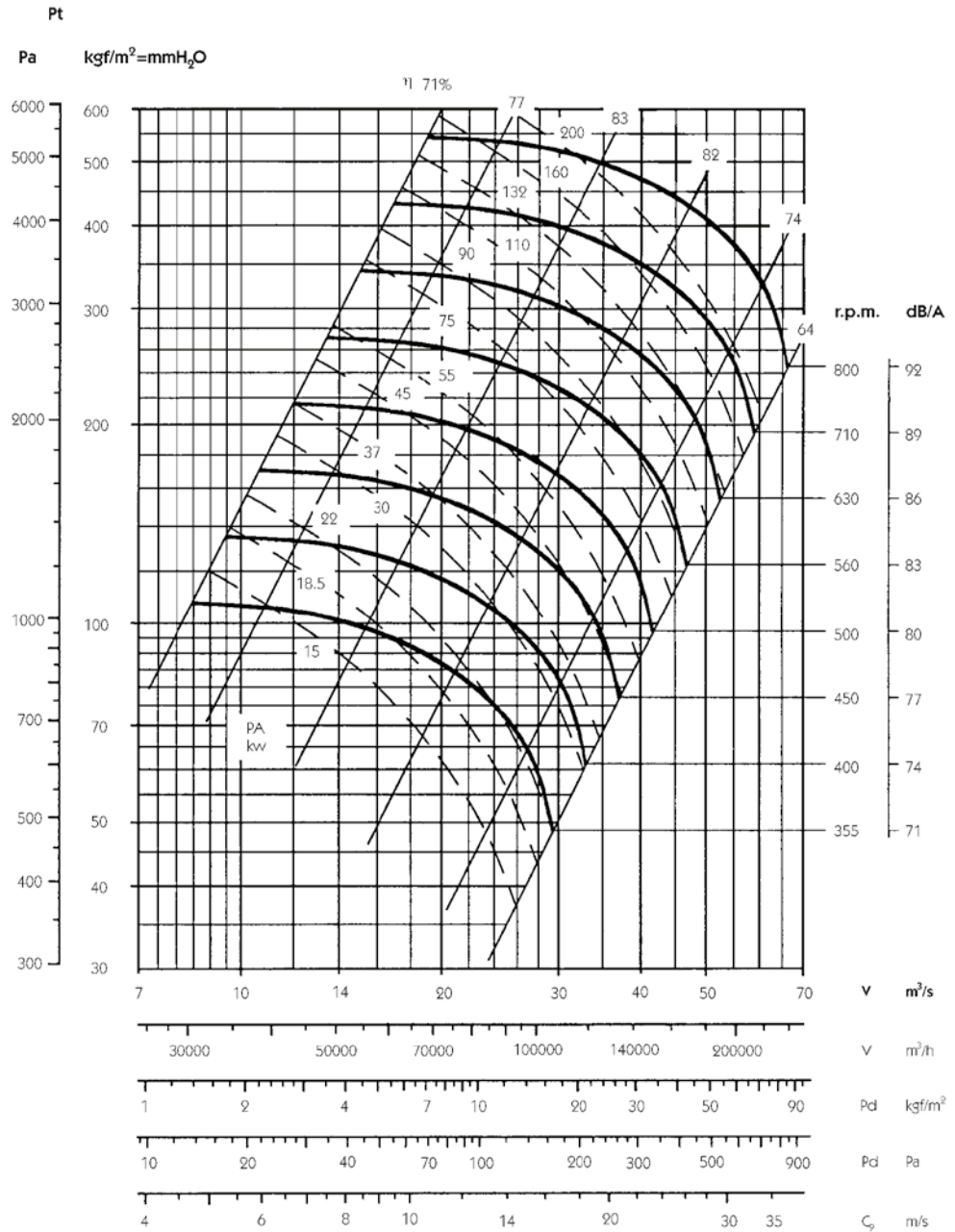
Flow margin $\pm 5\%$
 Noise level margin +3 db
 Margin of kW absorbed $\pm 3\%$

Maximum admissible Rpm

Class 1	
≤ 100 °C	800
100 ... 200 °C	710
200 ... 300 °C	630

Characteristic curves

CAMA 2000



Flow margin ±5%
 Noise level margin +3 db
 Margin of kW absorbed ±3%

Maximum admissible Rpm

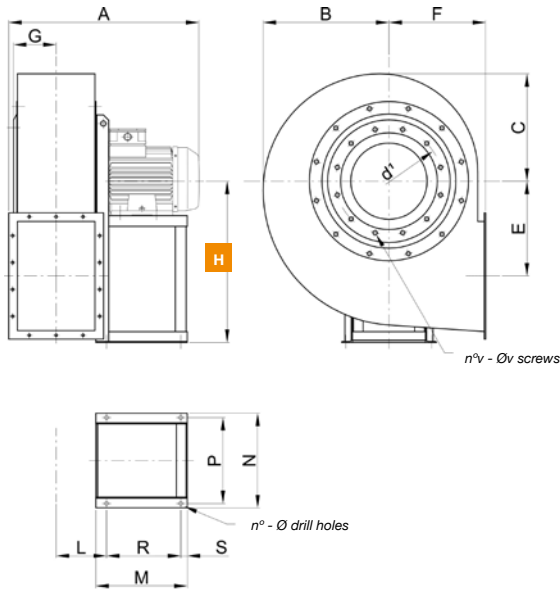
Class 1	
≤ 100 °C	710
100 ... 200 °C	630
200 ... 300 °C	560

LARGE SERIES

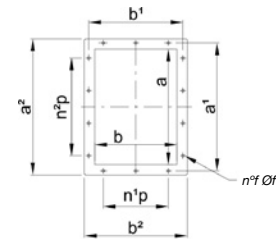
Dimensions mm

SYSTEM
4

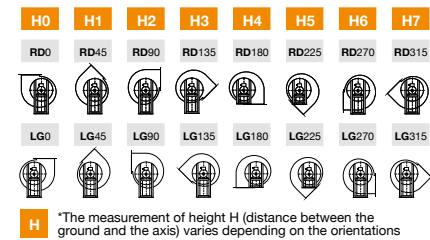
CAMA 250...500



OUTLET NOZZLE



ORIENTATIONS



MOD.	FRAME	A*	B	C	E	F	G	HO-1-2-3	H4-5	H6-7	L	M*	N	P	R*	S
CAMA 250/B	63 B/2	390	240	210	175	195	86	315	195	315	126	150	224	200	75	25
CAMA 250/A	71 A/2	405	240	210	175	195	86	315	195	315	126	190	244	220	115	25
CAMA 280/B	71 B/2	420	265	225	202	200	95	375	200	375	135	190	244	220	115	25
CAMA 280/A	80 A/2	450	265	225	202	200	95	375	200	375	135	190	244	220	115	25
CAMA 310/B	80 B/2	465	300	255	229	225	105	400	225	400	144	190	244	220	115	25
CAMA 310/A	90 S/2	480	300	255	229	225	105	400	225	400	144	215	269	245	140	25
CAMA 350/B	90 S/2	505	335	285	253	255	116	450	255	450	155	215	269	245	140	25
CAMA 350/A	90 L/2	530	335	285	253	255	116	450	255	450	155	215	269	245	140	25
CAMA 400/B	100 LA/2	585	380	320	286	285	126	500	285	500	168	260	312	280	185	25
CAMA 400/A	112 M/2	585	380	320	286	285	126	500	285	500	168	260	312	280	185	25
CAMA 450/B	132 SA/2	700	425	360	321	320	142	560	320	560	182	320	342	310	245	25
CAMA 450/A	132 SB/2	700	425	360	321	320	142	560	320	560	182	320	342	310	245	25
CAMA 500/B	160 MA/2	805	470	405	355	360	146	600	360	600	198	425	440	400	345	30
CAMA 500/A	160 MB/2	805	470	405	355	360	146	600	360	600	198	425	440	400	345	30
CAMA 500/B	90 S/4	590	470	405	355	360	146	600	360	600	198	215	269	245	140	25
CAMA 500/A	90 L/4	615	470	405	355	360	146	600	360	600	198	215	269	245	140	25

OUTLET NOZZLE

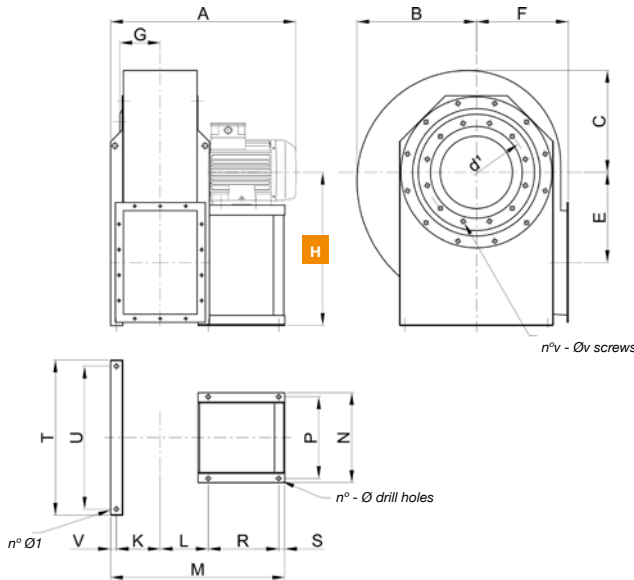
MOD.	n°	Ø	d¹	n°v	Øv	a	b	a¹	b¹	a²	b²	n°p	n°p	n°f	øf	kg	WD²
CAMA 250/B	4	10	219	8	M6	205	146	241	182	275	216	1-112	1-112	8	12	20	0.1
CAMA 250/A	4	10	219	8	M6	205	146	241	182	275	216	1-112	1-112	8	12	23	0.11
CAMA 280/B	4	10	241	8	M6	229	164	265	200	299	234	1-112	1-112	8	12	30	0.15
CAMA 280/A	4	10	241	8	M6	229	164	265	200	299	234	1-112	1-112	8	12	32	0.16
CAMA 310/B	4	10	265	8	M6	256	183	292	219	326	253	1-112	2-112	10	12	40	0.2
CAMA 310/A	4	10	265	8	M6	256	183	292	219	326	253	1-112	2-112	10	12	43	0.22
CAMA 350/B	4	10	292	8	M8	288	205	332	249	368	285	1-125	2-125	10	12	65	0.45
CAMA 350/A	4	10	292	8	M8	288	205	332	249	368	285	1-125	2-125	10	12	70	0.5
CAMA 400/B	4	12	332	8	M8	322	229	366	273	402	309	1-125	2-125	10	12	100	0.7
CAMA 400/A	4	12	332	8	M8	322	229	366	273	402	309	1-125	2-125	10	12	105	0.9
CAMA 450/B	4	12	366	8	M8	361	256	405	300	441	336	1-125	2-125	10	12	140	1.1
CAMA 450/A	4	12	366	8	M8	361	256	405	300	441	336	1-125	2-125	10	12	150	1.4
CAMA 500/B	4	14	405	8	M8	404	288	448	332	484	368	2-125	3-125	14	12	225	2.5
CAMA 500/A	4	14	405	8	M8	404	288	448	332	484	368	2-125	3-125	14	12	240	2.8
CAMA 500/B	4	10	405	8	M8	404	288	448	332	484	368	2-125	3-125	14	12	125	2
CAMA 500/A	4	10	405	8	M8	404	288	448	332	484	368	2-125	3-125	14	12	130	2.2

(*) For "HIGH TEMP." constructions, elevations "A-M-R" + 50 mm.
 (kg) Weight of fan with motor.
 WD² = Moment of inertia of the impeller, expressed in Kg x m²

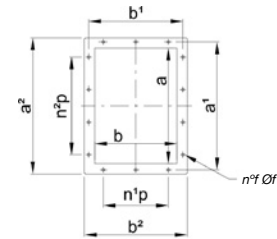
Dimensions mm

SYSTEM
4

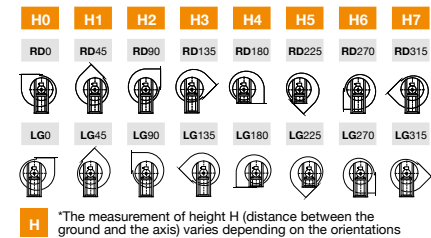
CAMA 560...630



OUTLET NOZZLE



ORIENTATIONS



MOD.	FRAME	A*	B	C	E	F	G	HO-1-2-3	H4-5	H6-7	L	K	M*
CAMA 560/B	160 L/2	950	525	445	390	400	175	670	400	670	214	196	808
CAMA 560/A	180 M/2	990	525	445	390	400	175	670	400	670	234	196	853
CAMA 560/B	100 LA/4	710	525	445	390	400	175	670	400	670	214	196	643
CAMA 560/A	100 LB/4	710	525	445	390	400	175	670	400	670	214	196	643
CAMA 630/B	112 M/4	750	590	505	441	450	199	750	450	750	234	217	684
CAMA 630/A	132 S/4	840	590	505	441	450	199	750	450	750	234	217	744

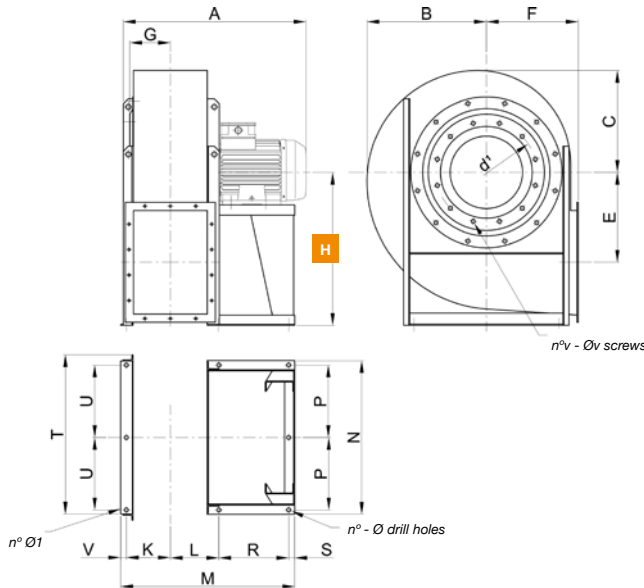
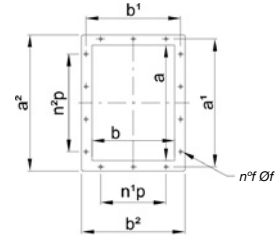
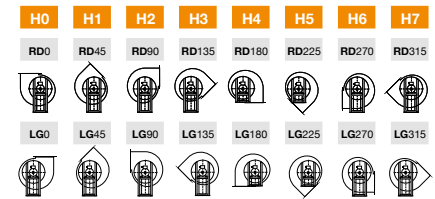
MOD.	N	P	R*	S	T	U	V	n°	Ø	Ø'	d'	n°v	Øv
CAMA 560/B	440	400	345	30	690	630	23	4	14	17	448	12	M8
CAMA 560/A	490	450	370	30	690	630	23	4	17	17	448	12	M8
CAMA 560/B	312	280	185	25	690	630	23	4	12	17	448	12	M8
CAMA 560/A	312	280	185	25	690	630	23	4	12	17	448	12	M8
CAMA 630/B	312	280	185	25	760	700	23	4	12	17	497	12	M8
CAMA 630/A	342	310	245	25	760	700	23	4	12	17	497	12	M8

OUTLET NOZZLE

MOD.	a	b	a'	b'	a²	b²	n°p	n²p	n°f	Øf	kg	WD²
CAMA 560/B	453	322	497	366	533	402	2-125	3-125	14	12	280	3.5
CAMA 560/A	453	322	497	366	533	402	2-125	3-125	14	12	310	4
CAMA 560/B	453	322	497	366	533	402	2-125	3-125	14	12	140	3.2
CAMA 560/A	453	322	497	366	533	402	2-125	3-125	14	12	140	3.5
CAMA 630/B	507	361	551	405	587	441	2-125	3-125	14	12	180	5.5
CAMA 630/A	507	361	551	405	587	441	2-125	3-125	14	12	190	6.2

(*) For "HIGH TEMP." constructions, elevations "A-M-R" + 50 mm.
(kg) Weight of fan with motor.
WD² = Moment of inertia of the impeller, expressed in Kg x m²

LARGE SERIES

Dimensions mm
CAMA 710...1400

OUTLET NOZZLE

ORIENTATIONS


H *The measurement of height H (distance between the ground and the axis) varies depending on the orientations

MOD.	FRAME	A*	B	C	E	F	G	HO-1-2-3	H4-5	H6-7	L	K	M*	N	P	R*	S	T
CAMA 710/B	132 MA/4	915	670	570	500	500	221	670	500	850	251	243	793	831	385	230	40	920
CAMA 710/A	160 M/4	960	670	570	500	500	221	670	500	850	251	243	898	831	385	335	40	920
CAMA 800/B	160 L/4	1090	745	635	560	560	245	750	560	950	276	267	947	921	430	335	40	1000
CAMA 800/A	180 M/4	1130	745	635	560	560	245	750	560	950	276	267	992	921	430	380	40	1000
CAMA 800/B	132 MA/6	965	745	635	560	560	245	750	560	950	276	267	842	921	430	230	40	1000
CAMA 800/A	132 MB/6	965	745	635	560	560	245	750	560	950	276	267	842	921	430	230	40	1000
CAMA 900/B	200 L/4	1240	835	710	630	630	272	850	630	1060	303	297	1116	1021	480	450	40	1100
CAMA 900/A	225 S/4	1290	835	710	630	630	272	850	630	1060	303	297	1126	1021	480	460	40	1100
CAMA 900/B	160 M/6	1060	835	710	630	630	272	850	630	1060	303	297	1001	1021	480	335	40	1100
CAMA 900/A	160 L/6	1140	835	710	630	630	272	850	630	1060	303	297	1001	1021	480	335	40	1100
CAMA 1000/B	225 M/4	1365	930	795	710	710	306	950	710	1180	334	323	1198	1120	530	450	50	1230
CAMA 1000/A	250 M/4	1440	930	795	710	710	306	950	710	1180	334	323	1268	1120	530	520	50	1230
CAMA 1000/B	180 L/6	1255	930	795	710	710	306	950	710	1180	334	323	1118	1120	530	370	50	1230
CAMA 1000/A	200 LA/6	1315	930	795	710	710	306	950	710	1180	334	323	1188	1120	530	440	50	1230
CAMA 1120/B	280 S/4	1655	1045	895	800	800	340	1060	800	1320	398	365	1477	1260	590	610	50	1370
CAMA 1120/A	280 M/4	1655	1045	895	800	800	340	1060	800	1320	398	365	1477	1260	590	610	50	1370
CAMA 1120/B	200 LB/6	1405	1045	895	800	800	340	1060	800	1320	398	365	1277	1260	590	410	50	1370
CAMA 1120/A	225 M/6	1455	1045	895	800	800	340	1060	800	1320	398	365	1287	1260	590	420	50	1370
CAMA 1250/B	250 M/6	1605	1175	1005	900	900	379	1180	900	1500	437	403	1434	1390	655	490	50	1540
CAMA 1250/A	280 S/6	1730	1175	1005	900	900	379	1180	900	1500	437	403	1554	1390	655	610	50	1540
CAMA 1400/B	280 M/6	1815	1305	1115	1000	1000	428	1320	1000	1700	500	446	1640	1530	725	580	60	1690
CAMA 1400/A	315 S/6	1835	1305	1115	1000	1000	428	1320	1000	1700	500	446	1700	1530	725	640	60	1690

OUTLET NOZZLE

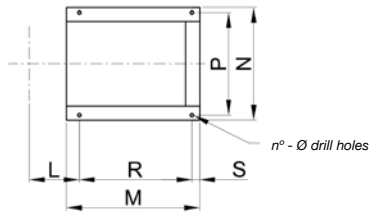
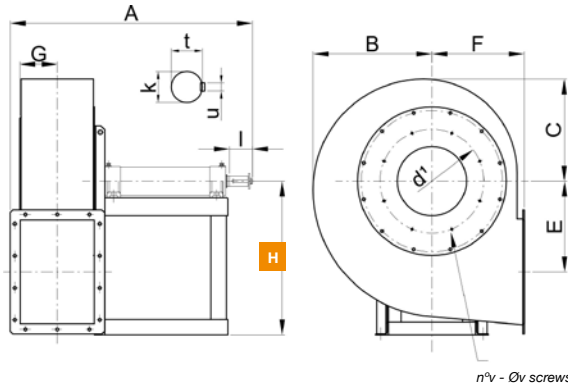
MOD.	U	V	n°	Ø	Ø¹	d¹	n°v	Øv	a	b	a¹	b¹	a²	b²	n¹p	n²p	n¹f	Øf	kg	WD²
CAMA 710/B	385	29	5+3	19	19	551	12	M8	569	404	629	464	669	504	2-160	3-160	14	14	270	10.5
CAMA 710/A	385	29	5+3	19	19	551	12	M8	569	404	629	464	669	504	2-160	3-160	14	14	300	12
CAMA 800/B	430	29	5+3	19	19	629	12	M8	638	453	698	513	738	553	2-160	3-160	14	14	400	16.5
CAMA 800/A	430	29	5+3	19	19	629	12	M8	638	453	698	513	738	553	2-160	3-160	14	14	425	18.5
CAMA 800/B	430	29	5+3	19	19	629	12	M8	638	453	698	513	738	553	2-160	3-160	14	14	330	15
CAMA 800/A	430	29	5+3	19	19	629	12	M8	638	453	698	513	738	553	2-160	3-160	14	14	340	17.5
CAMA 900/B	480	26	5+3	19	19	698	12	M10	715	507	775	567	815	607	2-160	4-160	16	14	570	30
CAMA 900/A	480	26	5+3	19	19	698	12	M10	715	507	775	567	815	607	2-160	4-160	16	14	460	29
CAMA 900/A	480	26	5+3	19	19	698	12	M10	715	507	775	567	815	607	2-160	4-160	16	14	490	34
CAMA 1000/B	530	41	5+3	19	19	775	16	M10	801	569	871	639	921	689	2-200	3-200	14	14	755	48
CAMA 1000/A	530	41	5+3	19	19	775	16	M10	801	569	871	639	921	689	2-200	3-200	14	14	825	52
CAMA 1000/B	530	41	5+3	19	19	775	16	M10	801	569	871	639	921	689	2-200	3-200	14	14	650	47
CAMA 1000/A	530	41	5+3	19	19	775	16	M10	801	569	871	639	921	689	2-200	3-200	14	14	680	50
CAMA 1120/B	590	54	5+3	24	24	861	16	M10	898	638	968	708	1018	758	3-200	4-200	18	14	1200	105
CAMA 1120/A	590	54	5+3	24	24	861	16	M10	898	638	968	708	1018	758	3-200	4-200	18	14	1250	120
CAMA 1120/B	590	54	5+3	24	24	861	16	M10	898	638	968	708	1018	758	3-200	4-200	18	14	980	115
CAMA 1120/A	590	54	5+3	24	24	861	16	M10	898	638	968	708	1018	758	3-200	4-200	18	14	1040	116
CAMA 1250/B	655	54	5+3	24	24	958	16	M10	1007	715	1077	785	1127	835	3-200	4-200	18	14	1300	180
CAMA 1250/A	655	54	5+3	24	24	958	16	M10	1007	715	1077	785	1127	835	3-200	4-200	18	14	1400	190
CAMA 1400/B	725	54	5+3	24	24	1067	24	M10	1130	801	1210	881	1270	941	3-200	5-200	20	18	1850	300
CAMA 1400/A	725	54	5+3	24	24	1067	24	M10	1130	801	1210	881	1270	941	3-200	5-200	20	18	1950	320

(*) For "HIGH TEMP." constructions, elevations "A-M-R" + 50 mm.
 (kg) Weight of fan with motor.
 WD² = Moment of inertia of the impeller, expressed in Kg x m²

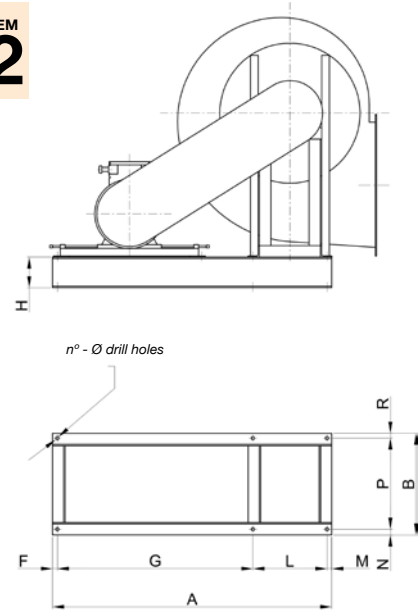
Dimensions mm

CAMA-X 250...500

SYSTEM
1



SYSTEM
12



MOD.	A*	B	C	E	F	G	H0	H1	H2	H3	H4	H5
CAMA 250	465	240	210	175	195	86	315	315	315	315	195	195
CAMA 280	560	265	225	202	200	95	375	375	375	375	200	200
CAMA 310	580	300	255	229	225	105	400	400	400	400	225	225
CAMA 350	805	335	285	253	255	116	450	450	450	450	255	255
CAMA 400	930	380	320	286	285	126	500	500	500	500	285	285
CAMA 450	960	425	360	321	320	142	560	560	560	560	320	320
CAMA 500	1000	470	405	355	360	158	600	600	600	600	360	360

MOD.	A	B*	H	F	G	L	M	N	P*	R	N°	Φ	kg
CAMA 250	700	185	80	15	480	190	15	20	145	20	6	10	19
CAMA 280	895	265	100	20	630	230	15	25	215	25	6	12	30
CAMA 310	895	265	100	20	630	230	15	25	215	25	6	12	30
CAMA 350	980	450	120	20	630	310	20	25	400	25	6	14	45
CAMA 400	1020	530	120	20	650	330	20	25	480	25	6	14	50
CAMA 450	1175	530	120	25	800	330	20	25	480	25	6	14	55
CAMA 500	1265	495	160	25	830	385	25	30	430	35	6	17	78

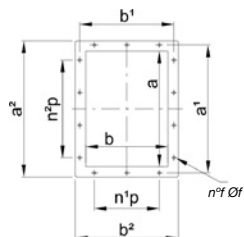
MOD.	H6	H7	L	M*	N	P	R*	S	n°	Φ	k	l
CAMA 250	315	315	126	220	214	190	145	25	4	10	19k6	40
CAMA 280	375	375	135	290	254	230	215	25	4	12	24k6	50
CAMA 310	400	400	144	290	254	230	215	25	4	12	24k6	50
CAMA 350	450	450	155	480	350	310	400	30	4	14	28k6	60
CAMA 400	500	500	168	560	370	330	480	30	4	14	38k6	80
CAMA 450	560	560	182	560	370	330	480	30	4	14	38k6	80
CAMA 500	600	600	198	520	438	385	430	40	4	17	42k6	110

MOD.	t	u	d ¹	n°v	Φv	kg	WD ²
CAMA 250	21.5	6	219	8	M6	27	0.11
CAMA 280	27	8	241	8	M6	27	0.16
CAMA 310	27	8	265	8	M6	43	0.22
CAMA 350	31	8	292	8	M8	73	0.5
CAMA 400	41	10	332	8	M8	85	0.9
CAMA 450	41	10	366	8	M8	105	1.4
CAMA 500	45	12	405	8	M8	145	2.8

(*) For "HIGH TEMP." constructions in models 250 to 500, elevations "B-P" + 50 mm.
Kg = Weight of the support base

(*) For "HIGH TEMP." constructions in models 250 to 500, elevations "A-M-R" + 50 mm.
kg = Weight of fan without motor.
WD² = Moment of inertia of the impeller, expressed in Kg x m²

OUTLET NOZZLE



OUTLET NOZZLE

MOD.	a	b	a ¹	b ¹	a ²	b ²	n°p	n°f	Φf	
CAMA 250	205	146	241	182	275	216	1-112	1-112	8	12
CAMA 280	229	164	265	200	299	234	1-112	1-112	8	12
CAMA 310	256	183	292	219	326	253	1-112	2-112	10	12
CAMA 350	288	205	332	249	368	285	1-125	2-125	10	12
CAMA 400	322	229	366	273	402	309	1-125	2-125	10	12
CAMA 450	361	256	405	300	441	336	1-125	2-125	10	12
CAMA 500	404	288	448	332	484	368	2-125	3-125	14	12

ORIENTATIONS

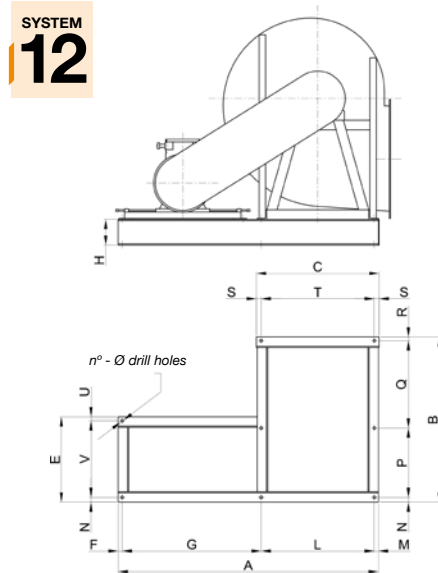
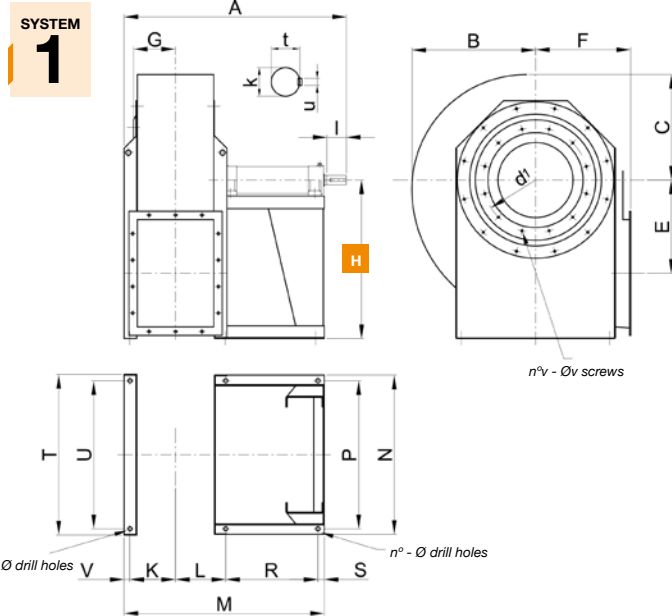
H0	H1	H2	H3	H4	H5	H6	H7
RD0	RD45	RD90	RD135	RD180	RD225	RD270	RD315
LG0	LG45	LG90	LG135	LG180	LG225	LG270	LG315

H The measurement of height H (distance between the ground and the axis) varies depending on the orientations

LARGE SERIES

Dimensions mm

CAMA-X 560...630



MOD.	A*	B	C	E	F	G	H0	H1	H2	H3
CAMA 560	1055	525	445	390	400	175	670	670	670	670
CAMA 630	1095	590	505	441	450	199	750	750	750	750

MOD.	A	B*	C	E	H	F	G	L	M	N
CAMA 560	1415	893	690	510	160	25	735	630	25	30
CAMA 630	1610	933	760	530	160	25	860	700	25	30

MOD.	H4	H5	H6	H7	L	K	M*	N	P	R*
CAMA 560	400	400	670	670	214	196	903	683	630	430
CAMA 630	450	450	750	750	233	217	943	753	700	430

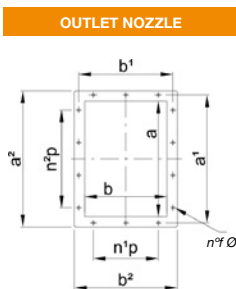
MOD.	P*	Q	R	S	T	U	V	N°	Φ	kg
CAMA 560	430	410	23	30	630	25	455	8	17	105
CAMA 630	430	450	23	30	700	25	475	8	17	115

MOD.	S	T	U	V	n°	Φ	k	l	t	u
CAMA 560	40	690	630	23	4+2	17	48k6	110	51.5	14
CAMA 630	40	760	700	23	4+2	17	48k6	110	51.5	14

(*) For "HIGH TEMP." constructions in models 560 to 630, elevations "B-P" + 50 mm.
kg = Weight of the support base

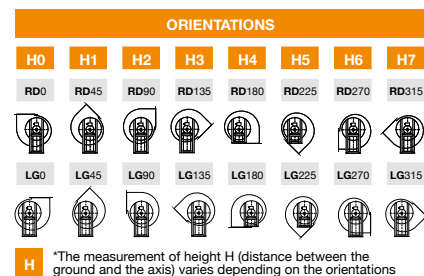
MOD.	d ¹	n°v	Φv	kg	WD ²
CAMA 560	448	12	M8	175	4
CAMA 630	497	12	M8	210	6.6

(*) For "HIGH TEMP." constructions in models 560 to 630, elevations "A-M-R" + 50 mm.
kg = Weight of fan without motor.
WD² = Moment of inertia of the impeller, expressed in Kg x m²



OUTLET NOZZLE

MOD.	a	b	a'	b'	a''	b''	n°p	n°p	n°f	Φf
CAMA 560	453	322	497	366	533	402	2-125	3-125	14	12
CAMA 630	507	361	551	405	587	441	2-125	3-125	14	12

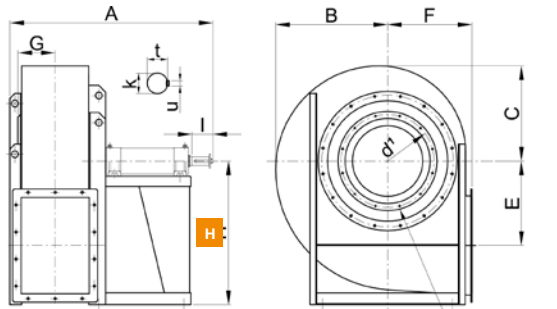


LARGE SERIES

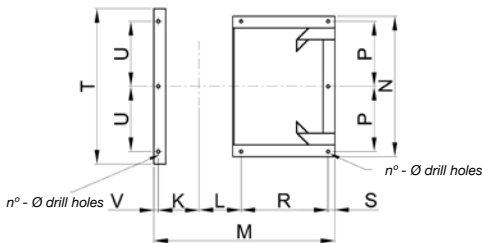
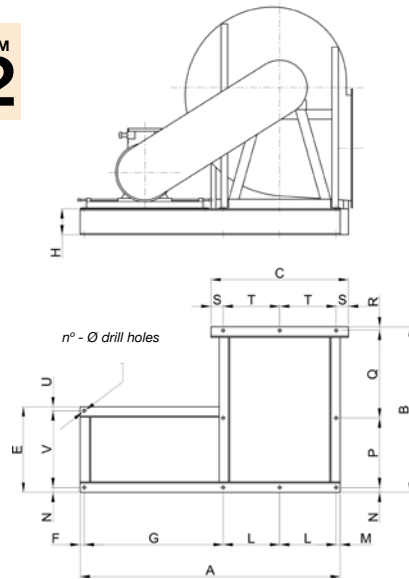
Dimensions mm

CAMA-X 710...2000

SYSTEM 1



SYSTEM 12



MOD.	A*	B	C	E	F	G	H0	H1	H2	H3	H4	H5
CAMA 710	1235	670	570	500	500	221	670	670	670	670	500	500
CAMA 800	1335	745	635	560	560	245	750	750	750	750	560	560
CAMA 900	1390	835	710	630	630	272	850	850	850	850	630	630
CAMA 1000	1545	930	795	710	710	306	950	950	950	950	710	710
CAMA 1120	1820	1045	895	800	800	341	1060	1060	1060	1060	800	800
CAMA 1250	1895	1175	1005	900	900	379	1180	1180	1180	1180	900	900
CAMA 1400	2060	1305	1115	1000	1000	428	1320	1320	1120	1120	1000	1000
CAMA 1600	2350	1535	1245	1120	1120	479	1500	1500	1250	1250	1120	1120
CAMA 1800	2530	1705	1390	1250	1250	535	1650	1550	1400	1320	1250	1250
CAMA 2000	2650	1920	1555	1400	1400	577	1850	1700	1600	1450	1400	1400

MOD.	A	B*	C	E	H	F	G	L	M	N	P*
CAMA 710	1980	1069	920	690	180	30	1150	385	30	30	515
CAMA 800	2070	1166	1000	690	180	30	1150	430	30	30	565
CAMA 900	2200	1124	1100	750	180	30	1180	480	30	30	665
CAMA 1000	2300	1329	1230	755	180	30	1180	530	30	35	605
CAMA 1120	2470	1592	1370	830	180	35	1220	590	35	35	760
CAMA 1250	2600	1667	1540	830	180	35	1220	655	35	35	760
CAMA 1400	3150	1794	1690	990	180	35	1630	725	35	35	780
CAMA 1600	3340	2063	1950	990	180	35	1630	820	35	35	920
CAMA 1800	3600	2185	2150	1100	180	35	1700	915	35	35	920
CAMA 2000	3800	2309	2390	1100	180	35	1700	1015	35	35	920

MOD.	H6	H7	L	K	M*	N	P	R*	S	T	U	V
CAMA 710	850	850	251	243	1078	831	385	515	40	920	385	29
CAMA 800	950	950	276	267	1177	921	430	565	40	1000	430	29
CAMA 900	1060	1060	303	297	1231	1021	480	565	40	1100	480	26
CAMA 1000	1180	1180	334	323	1353	1120	530	605	50	1230	530	41
CAMA 1120	1320	1320	398	365	1627	1260	590	760	50	1370	590	54
CAMA 1250	1500	1500	437	403	1704	1390	655	760	50	1540	655	54
CAMA 1400	1700	1500	500	446	1840	1530	725	780	60	1690	725	54
CAMA 1600	1900	1600	568	505	2117	1720	820	920	60	1950	820	64
CAMA 1800	2120	1800	623	569	2226	1910	915	920	60	2150	915	54
CAMA 2000	2360	2000	684	631	2379	2110	1015	920	60	2390	1015	84

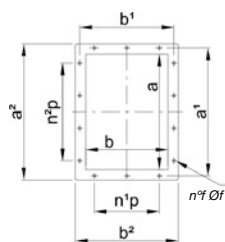
MOD.	Q	R	S	T	U	V	N°	Φ	kg
CAMA 710	494	30	75	385	30	630	10	19	167
CAMA 800	543	28	70	430	30	630	10	19	175
CAMA 900	600	29	70	480	30	690	10	19	190
CAMA 1000	657	32	85	530	30	690	10	19	200
CAMA 1120	763	34	95	590	35	760	10	24	295
CAMA 1250	840	32	115	655	35	760	10	24	310
CAMA 1400	946	33	120	725	35	920	10	24	365
CAMA 1600	1073	35	155	820	35	920	10	28	390
CAMA 1800	1192	38	160	915	35	1030	10	28	475
CAMA 2000	1315	39	180	1015	35	1030	10	28	500

(*) For "HIGH TEMP." constructions in models 710 to 900, elevations "B-P" + 50 mm.
Kg = Weight of the support base

MOD.	n°	Φ	k	l	t	u	d¹	n°v	Φv	kg	WD²
CAMA 710	5+3	19	48k6	110	51.5	14	551	12	M8	290	12.3
CAMA 800	5+3	19	55m6	110	59	16	629	12	M8	260	19
CAMA 900	5+3	19	55m6	110	59	16	698	12	M10	410	35.5
CAMA 1000	5+3	19	65m6	140	69	18	775	16	M10	530	52
CAMA 1120	5+3	24	75m6	140	79.5	20	861	16	M10	870	120
CAMA 1250	5+3	24	75m6	140	79.5	20	958	16	M10	1070	190
CAMA 1400	5+3	24	80m6	170	85	22	1067	24	M10	1520	320
CAMA 1600	5+3	28	90m6	170	95	25	1200	24	M10	2000	520
CAMA 1800	5+3	28	100j6	210	106	28	1337	24	M10	1850	900
CAMA 2000	5+3	28	100j6	210	106	28	1491	32	M10	3550	1400

(*) For "HIGH TEMP." constructions in models 710 to 900, elevations "A-M-R" + 50 mm.
kg = Weight of fan without motor.
WD² = Moment of inertia of the impeller, expressed in Kg x m²

OUTLET NOZZLE



OUTLET NOZZLE

MOD.	a	b	a¹	b¹	a²	b²	n°p	n°p	n°f	Φf
CAMA 710	569	404	629	464	669	504	2-160	3-160	14	14
CAMA 800	638	453	698	513	738	553	2-160	3-160	14	14
CAMA 900	715	507	775	567	815	607	2-160	4-160	16	14
CAMA 1000	801	569	871	639	921	689	2-200	3-200	14	14
CAMA 1120	898	638	968	708	1018	758	3-200	4-200	18	14
CAMA 1250	1007	715	1077	785	1127	835	3-200	4-200	18	14
CAMA 1400	1130	801	1210	881	1270	941	3-200	5-200	20	18
CAMA 1600	1267	898	1347	978	1407	1038	4-200	6200	24	18
CAMA 1800	1421	1007	1501	1087	1561	1147	4-200	6-200	24	18
CAMA 2000	1593	1130	1683	1220	1753	1290	5-200	7-200	28	22

ORIENTATIONS

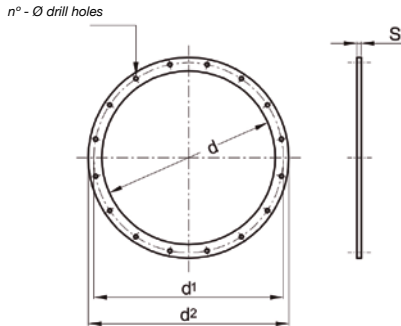
H0	H1	H2	H3	H4	H5	H6	H7
RD0	RD45	RD90	RD135	RD180	RD225	RD270	RD315
LG0	LG45	LG90	LG135	LG180	LG225	LG270	LG315

H The measurement of height H (distance between the ground and the axis) varies depending on the orientations

LARGE SERIES

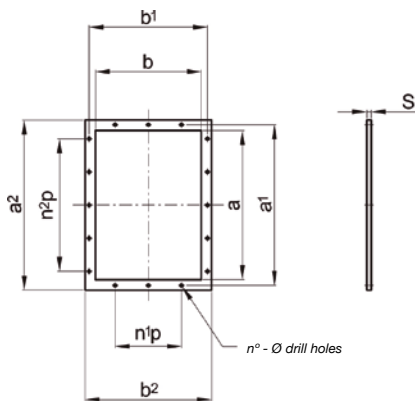
Accessories

Inlet counter flange



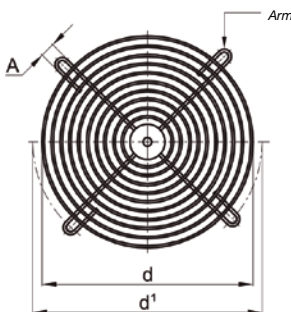
MOD.	d	d ¹	d ²	n°	Φ	S	kg
CAMA 250	185	219	255	8	9	4	0.7
CAMA 280	205	241	275	8	9	4	0.75
CAMA 310	229	265	299	8	9	4	0.8
CAMA 350	255	292	325	8	11	4	1
CAMA 400	286	332	366	8	11	5	1.6
CAMA 450	321	366	401	8	11	5	1.8
CAMA 500	361	405	441	8	11	5	2
CAMA 560	406	448	486	12	11	5	2.2
CAMA 630	456	497	536	12	11	5	2.5
CAMA 710	506	551	586	12	11	5	2.7
CAMA 800	568	629	668	12	11	6	4.6
CAMA 900	638	698	738	12	11	6	5
CAMA 1000	718	775	818	16	13	6	5.5
CAMA 1120	808	861	908	16	13	6	6.2
CAMA 1250	908	958	1008	16	13	6	7
CAMA 1400	1008	1067	1108	24	13	6	7.8
CAMA 1600	1130	1200	1250	24	13	8	14
CAMA 1800	1260	1337	1380	24	13	8	15.5
CAMA 2000	1410	1491	1530	32	13	8	17

Impulsion counter-flange



MOD.	a	b	a ¹	b ¹	a ²	b ²	n ¹ p	n ² p	n°	Φ	s	kg
CAMA 250	205	146	241	182	275	216	1-112	1-112	8	12	4	0.9
CAMA 280	229	164	265	200	299	234	1-112	1-112	8	12	4	1
CAMA 310	256	183	292	219	326	253	1-112	2-112	10	12	4	1.1
CAMA 350	288	205	332	249	368	285	1-125	2-125	10	12	5	1.8
CAMA 400	322	229	366	273	402	309	1-125	2-125	10	12	5	2
CAMA 450	361	256	405	300	441	336	1-125	2-125	10	12	5	2.2
CAMA 500	404	288	448	332	484	368	2-125	3-125	14	12	5	2.4
CAMA 560	453	322	497	366	533	402	2-125	3-125	14	12	5	2.7
CAMA 630	507	361	551	405	587	441	2-125	3-125	14	12	5	3
CAMA 710	569	404	629	464	669	504	2-160	3-160	14	14	6	5
CAMA 800	638	453	698	513	738	553	2-160	3-160	14	14	6	5.6
CAMA 900	715	507	775	567	815	607	2-160	4-160	16	14	6	6.2
CAMA 1000	801	569	871	639	921	689	2-200	3-200	14	14	8	11.2
CAMA 1120	898	638	968	708	1018	758	3-200	4-200	18	14	8	12.5
CAMA 1250	1007	715	1077	785	1127	835	3-200	4-200	18	14	8	14
CAMA 1400	1130	801	1210	881	1270	941	3-200	5-200	20	18	8	18
CAMA 1600	1267	898	1347	978	1407	1038	4-200	6-200	24	18	8	20
CAMA 1800	1421	1007	1501	1087	1561	1147	4-200	6-200	24	18	8	22.3
CAMA 2000	1593	1130	1683	1220	1753	1290	5-200	7-200	28	22	8	28.5

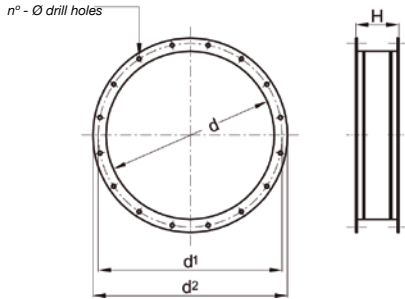
Inlet protection mesh



MOD.	d	d ¹	A	n°	kg
CAMA 250	185	222	9	4	0.18
CAMA 280	205	332	9	4	0.2
CAMA 310	229	366	9	4	0.25
CAMA 350	255	405	11	4	0.3
CAMA 400	286	448	11	4	0.35
CAMA 450	321	497	11	4	0.4
CAMA 500	361	551	11	8	0.7
CAMA 560	406	629	11	8	0.8
CAMA 630	456	698	11	8	0.9
CAMA 710	506	775	11	8	1
CAMA 800	568	861	11	8	1.2
CAMA 900	638	958	11	8	1.5
CAMA 1000	718	1067	13	8	2
CAMA 1120	808	1200	13	8	2.5
CAMA 1250	908	1337	13	8	3
CAMA 1400	1008	1491	13	8	3.5
CAMA 1600	1130	1663	13	8	4
CAMA 1800	1260	1856	13	8	4.5
CAMA 2000	1410	2073	13	8	5

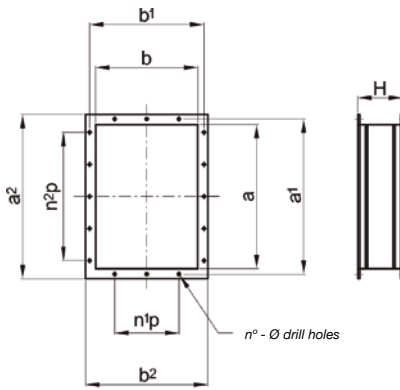
Accessories

Inlet anti-vibration seal



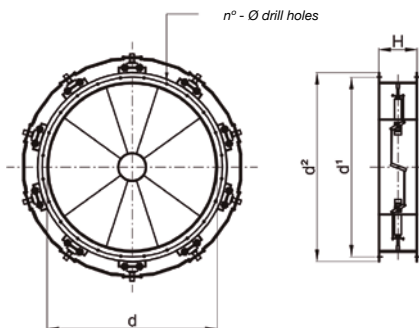
MOD.	d	d ¹	d ²	n°	Φ	H	kg
CAMA 250	185	219	255	8	9	200	1.7
CAMA 280	205	241	275	8	9	200	1.8
CAMA 310	229	265	299	8	9	200	2
CAMA 350	255	292	325	8	11	200	2.2
CAMA 400	286	332	366	8	11	200	3.4
CAMA 450	321	366	401	8	11	200	3.8
CAMA 500	361	405	441	8	11	200	4.2
CAMA 560	406	448	486	12	11	200	4.6
CAMA 630	456	497	536	12	11	200	5.1
CAMA 710	506	551	586	12	11	200	5.6
CAMA 800	568	629	668	12	11	200	9.4
CAMA 900	638	698	738	12	11	200	10.4
CAMA 1000	718	775	818	16	13	200	11.6
CAMA 1120	808	861	908	16	13	200	13
CAMA 1250	908	958	1008	16	13	200	14.4
CAMA 1400	1008	1067	1108	24	13	200	16
CAMA 1600	1130	1200	1250	24	13	200	28.5
CAMA 1800	1260	1337	1380	24	13	200	31.5
CAMA 2000	1410	1491	1530	32	13	200	34.5

Impulsion anti-vibration seal



MOD.	a	b	a ¹	b ¹	a ²	b ²	n ¹ p	n ² p	n°	Φ	H	kg
CAMA 250	205	146	241	182	275	216	1-112	1-112	8	12	200	2
CAMA 280	229	164	265	200	299	234	1-112	1-112	8	12	200	2.2
CAMA 310	256	183	292	219	326	253	1-112	2-112	10	12	200	2.4
CAMA 350	288	205	332	249	368	285	1-125	2-125	10	12	200	3.8
CAMA 400	322	229	366	273	402	309	1-125	2-125	10	12	200	4.2
CAMA 450	361	256	405	300	441	336	1-125	2-125	10	12	200	4.6
CAMA 500	404	288	448	332	484	368	2-125	3-125	14	12	200	5
CAMA 560	453	322	497	366	533	402	2-125	3-125	14	12	200	5.6
CAMA 630	507	361	551	405	587	441	2-125	3-125	14	12	200	6.2
CAMA 710	569	404	629	464	669	504	2-160	3-160	14	14	200	10.2
CAMA 800	638	453	698	513	738	553	2-160	3-160	14	14	200	11.4
CAMA 900	715	507	775	567	815	607	2-160	4-160	16	14	200	12.6
CAMA 1000	801	569	871	639	921	689	2-200	3-200	14	14	200	23
CAMA 1120	898	638	968	708	1018	758	3-200	4-200	18	14	200	25.5
CAMA 1250	1007	715	1077	785	1127	835	3-200	4-200	18	14	200	28.5
CAMA 1400	1130	801	1210	881	1270	941	3-200	5-200	20	18	200	37
CAMA 1600	1267	898	1347	978	1407	1038	4-200	6-200	24	18	200	41
CAMA 1800	1421	1007	1501	1087	1561	1147	4-200	6-200	24	18	200	45.5
CAMA 2000	1593	1130	1683	1220	1753	1290	5-200	7-200	28	22	200	58

Flow regulator at the inlet

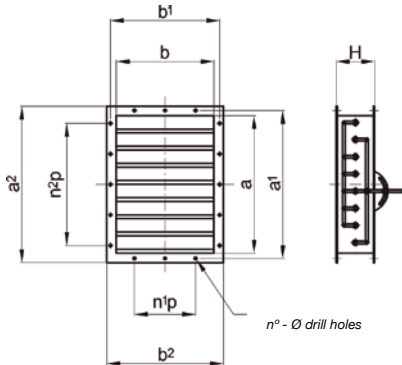


MOD.	d	d ¹	d ²	n°	Φ	H	kg
CAMA 450	321	366	401	8	11	200	24
CAMA 500	361	405	441	8	11	250	26
CAMA 560	406	448	486	12	11	250	30
CAMA 630	456	497	536	12	11	250	32
CAMA 710	506	551	586	12	11	250	45
CAMA 800	568	629	668	12	11	250	50
CAMA 900	638	698	738	12	11	300	58
CAMA 1000	718	775	818	16	13	300	68
CAMA 1120	808	861	908	16	13	350	87
CAMA 1250	908	958	1008	16	13	350	102
CAMA 1400	1008	1067	1108	24	13	350	120
CAMA 1600	1130	1200	1250	24	13	400	150
CAMA 1800	1260	1337	1380	24	13	400	170
CAMA 2000	1410	1491	1530	32	13	400	190

LARGE SERIES

Accessories

Opposing blades damper

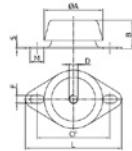


MOD.	a	b	a1	b1	a2	b2	n1p	n2p	n°	Φ	H (1)	H (2)	kg (1)	kg (2)
CAMA 400	322	229	366	273	402	309	1-125	2-125	10	12	220	250	11	12
CAMA 450	361	256	405	300	441	336	1-125	2-125	10	12	220	250	14	15
CAMA 500	404	288	448	332	484	368	2-125	3-125	14	12	220	250	18	19
CAMA 560	453	322	497	366	533	402	2-125	3-125	14	12	220	250	21	22
CAMA 630	507	361	551	405	587	441	2-125	3-125	14	12	220	250	24	25
CAMA 710	569	404	629	464	669	504	2-160	3-160	14	14	220	250	28	29
CAMA 800	638	453	698	513	738	553	2-160	3-160	14	14	220	250	32	33
CAMA 900	715	507	775	567	815	607	2-160	4-160	16	14	220	250	36	38
CAMA 1000	801	569	871	639	921	689	2-200	3-200	14	14	220	250	44	46
CAMA 1120	898	638	968	708	1018	758	3-200	4-200	18	14	220	250	50	52
CAMA 1250	1007	715	1077	785	1127	835	3-200	4-200	18	14	220	250	55	58
CAMA 1400	1130	801	1210	881	1270	941	3-200	5-200	20	18	220	250	81	84
CAMA 1600	1267	898	1347	978	1407	1038	4-200	6-200	24	18	220	250	92	96
CAMA 1800	1421	1007	1501	1087	1561	1147	4-200	6-200	24	18	220	250	105	110
CAMA 2000	1593	1130	1683	1220	1753	1290	5-200	7-200	28	22	220	250	140	145

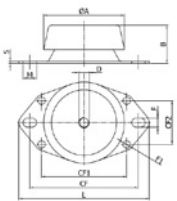
(1) Up to 300 mm H₂O
(2) Above 300 mm H₂O

Shock absorbers

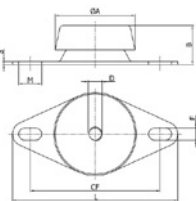
TYPE 1



TYPE 2

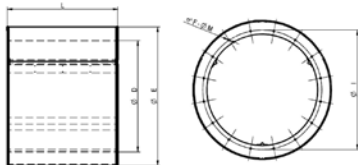


TYPE 3



MOD.	SHOCK-ABSORBERS MODEL	TYPE	øA	B	D	CF	CF1	CF2	F	øF1	L	M	S
CAMA-250	CF 623110	1	67	33...34	10	76.5	-	-	9	-	90.5	16	2
CAMA-280	CF 623110	1	67	33...34	10	76.5	-	-	9	-	90.5	16	2
CAMA-310	CF 623110	1	67	33...34	10	76.5	-	-	9	-	90.5	16	2
CAMA-350	CF 623110	1	67	33...34	10	76.5	-	-	9	-	90.5	16	2
CAMA-400	CF 623110	1	67	33...34	10	76.5	-	-	9	-	90.5	16	2
CAMA-450	CF 623110	1	67	33...34	10	76.5	-	-	9	-	90.5	16	2
CAMA-500	CF 623110	1	67	33...34	10	76.5	-	-	9	-	90.5	16	2
CAMA-560	CF 623110	1	67	33...34	10	76.5	-	-	9	-	90.5	16	2
CAMA-630	CF 623110	1	67	33...34	10	76.5	-	-	9	-	90.5	16	2
CAMA-710	CF 623110	1	67	33...34	10	76.5	-	-	9	-	90.5	16	2
CAMA-800	CF 924512	2	92	44...45	12	120	98	50	10.5	8.5	130	15.5	2.5
CAMA-900	CF 924512	2	92	44...45	12	120	98	50	10.5	8.5	130	15.5	2.5
CAMA-1000	CF 924512	2	92	44...45	12	120	98	50	10.5	8.5	130	15.5	2.5
CAMA-1120	CF 924512	2	92	44...45	12	120	98	50	10.5	8.5	130	15.5	2.5
CAMA-1250	CF 924512	2	92	44...45	12	120	98	50	10.5	8.5	130	15.5	2.5
CAMA-1400	CF 924512	2	92	44...45	12	120	98	50	10.5	8.5	130	15.5	2.5
CAMA-1600	CF 1204516	3	92	45	26.5	149.5	-	-	14	-	190	16	3.5
CAMA-1800	CF 1204516	3	92	45	26.5	149.5	-	-	14	-	190	16	3.5
CAMA-2000	CF 1204516	3	92	45	26.5	149.5	-	-	14	-	190	16	3.5

Circular silencers



Silencers are used to lower the noise level at air conditioning or ventilation installation manufactured using galvanised steel.

- Upon request: other constructions using different materials.

øD	øE	L	øI	F	øM
315	515	ØD,1.5ØD, 2ØD	355	8	M8
355	555	ØD,1.5ØD, 2ØD	395	8	M8
400	600	ØD,1.5ØD, 2ØD	450	8	M8
450	650	ØD,1.5ØD, 2ØD	500	8	M8
500	700	ØD,1.5ØD, 2ØD	560	12	M8
560	760	ØD,1.5ØD, 2ØD	620	12	M8
630	830	ØD,1.5ØD, 2ØD	690	12	M8
710	910	ØD,1.5ØD, 2ØD	770	16	M8
800	1000	ØD,1.5ØD, 2ØD	860	16	M8

øD	øE	L	øI	F	øM
900	1100	ØD,1.5ØD, 2ØD	970	16	M10
1000	1200	ØD,1.5ØD, 2ØD	1070	16	M10
1120	1320	ØD,1.5ØD, 2ØD	1190	20	M10
1250	1450	ØD,1.5ØD, 2ØD	1320	20	M10
1400	1600	ØD,1.5ØD, 2ØD	1470	20	M10
1500	1700	ØD,1.5ØD, 2ØD	1570	20	M10
1600	1800	ØD,1.5ØD, 2ØD	1680	24	M14
1700	1900	ØD,1.5ØD, 2ØD	1780	24	M14
1800	2000	ØD,1.5ØD, 2ØD	1880	24	M14

DIRECT DRIVE MOTOR

CAMC

Extremely robust medium pressure and single inlet centrifugal fans with sheet steel casing and impeller
Designed for dusty air



*The images are provided only for illustrative purposes, the product may vary depending on its size, specifications and position.

- Fan:**
- Sheet steel casing.
 - Backward curved impeller, made of very robust sheet steel, specially designed for air with a lot of dust and small materials.
 - Directly coupled motor.
 - With inspection and cleaning hatch from size 560 and up.

Motor:

- Motors with IE3 efficiency for powers equal to or greater than 0.75kW, except single-phase, 2-speed and 8-pole.
- Class F motors with ball bearings, IP55 protection.
- Three-phase 230/400 V 50 Hz (up to 4 kW) and 400/690 V 50 Hz (powers greater than 4 kW).
- Maximum temperature of air to be carried: -25 °C +90 °C.

Finishing:

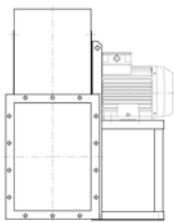
- Anti-corrosive finish in polyester resin, polymerised at 190 °C, after degreasing with phosphate-free nanotechnology treatment.

On request:

- Special windings for different voltages.
- Fan prepared to transport air up to +150 °C.
- Special executions for temperatures + 300 °C.
- Stainless steel fan.
- ATEX certified Category 2.
- System 8 elastic coupling.

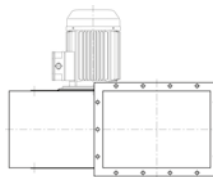
Direct drive motor construction method

SYSTEM 4



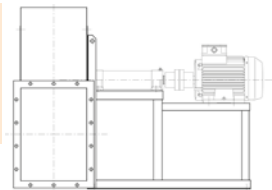
Direct drive, impeller mounted on the motor shaft, mounted on the pedestal.

SYSTEM 5



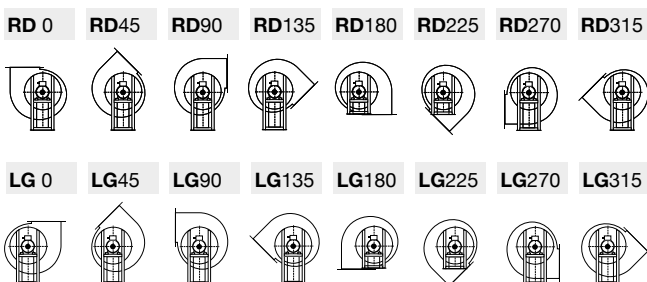
Direct drive, impeller mounted on the motor shaft, flange motor mounted on the fan casing.

SYSTEM 8



Elastic coupling drive, impeller mounted on the support shaft, mounted on the motor via an elastic coupling. Everything mounted together on a fan pedestal.

Orientations



BELT-DRIVEN MOTOR

CAMC-X

Belt driven medium pressure fans, equipped with an electric motor, a set of pulleys, belts and protectors standardized according to ISO-13857
Designed for dusty air



Motor:

- IE3 efficiency motors.
- Class F motors with ball bearings, IP55 protection.
- Three-phase 230/400 V 50 Hz (up to 4 kW) and 400/690 V 50 Hz (powers greater than 4 kW).
- Maximum temperature of air to be carried: -25 °C +90 °C.

Finishing:

- Anti-corrosive finish in polyester resin, polymerised at 190 °C, after degreasing with phosphate-free nanotechnology treatment.

On request:

- Special windings for different voltages.
- Fan prepared to transport air up to +300 °C.
- Stainless steel fan.
- ATEX certified Category 2.
- System 8 elastic coupling.

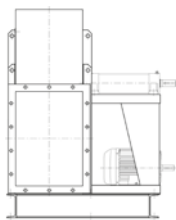
Fan:

- Sheet steel casing.
- Backward curved impeller made of highly robust sheet steel, specially designed for dusty air and small suspended materials.
- Engine mounted on general bench.
- With inspection and cleaning hatch from size 560 and up.

*The images are provided only for illustrative purposes, the product may vary depending on its size, specifications and position.

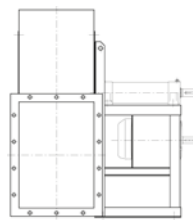
Belt-driven motor construction method

SYSTEM 12



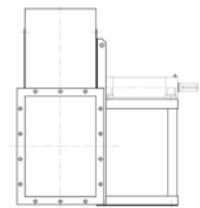
Transmission drive, identical to SYSTEM 1, with the motor and fan mounted on the common bench. Motor positions "W" or "Z" and exceptionally "X" or "Y".

SYSTEM 9



Transmission drive, identical to SYSTEM 1, with the motor mounted on the side of the pedestal, in position "W" or "Z".

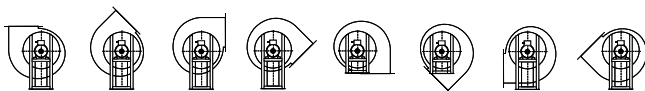
SYSTEM 1



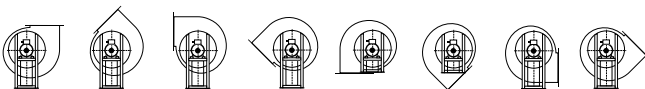
Transmission drive, impeller mounted on the support shaft. Support mounted on the pedestal.

Orientations

RD 0 RD45 RD90 RD135 RD180 RD225 RD270 RD315



LG 0 LG45 LG90 LG135 LG180 LG225 LG270 LG315



QUICK SELECT SYSTEM 4

Outlet characteristics

MOD.	FRAME	kW ass	kW inst.	r.p.m	dB	V m³/s																										
						0.16	0.18	0.2	0.23	0.26	0.3	0.33	0.36	0.41	0.46	0.51	0.58	0.66	0.75	0.83												
						Pt kgf/m²=mmH₂O																										
CAMC 360	80 B/2	1	1.1	2820	73	238	235	231	223	214	203	190	180	155	130																	
CAMC 380	90 S/2	1.3	1.5	2840	76		290	284	280	275	268	262	250	225	202	180																
CAMC 410	90 L/2	2	2.2	2840	79				330	326	319	313	306	292	276	260	237	205														
CAMC 440	100 LA/2	2.8	3	2850	81							390	384	375	362	355	334	294	265													
CAMC 470	112 M/2	3.8	4	2860	82								440	433	425	419	408	392	375	353												
CAMC 500	132 SA/2	5.2	5.5	2900	84												489	481	475	465												
CAMC 520	132 SB/2	7.2	7.5	2900	86																533	524	512									
CAMC 550	160 MA/2	8.8	11	2910	87																											

MOD.	FRAME	kW ass	kW inst.	r.p.m	dB	V m³/s																												
						0.93	1.05	1.16	1.33	1.5	1.66	1.86	2.08																					
						Pt kgf/m²=mmH₂O																												
CAMC 470	112 M/2	3.8	4	2860	82	324	275																											
CAMC 500	132 SA/2	5.2	5.5	2900	84	445	418	350																										
CAMC 520	132 SB/2	7.2	7.5	2900	86	500	482	456	420	370																								
CAMC 550	160 MA/2	8.8	11	2910	87	548	524	502	483	458	420	360																						
CAMC 560	160 MA/2	10.5	11	2910	89		573	557	538	505	486	452																						
CAMC 600	160 MB/2	14.5	15	2930	91				635	624	608	576	550																					

Flow margin ±5%
Noise level margin + 3... 5 dB

Inlet characteristics

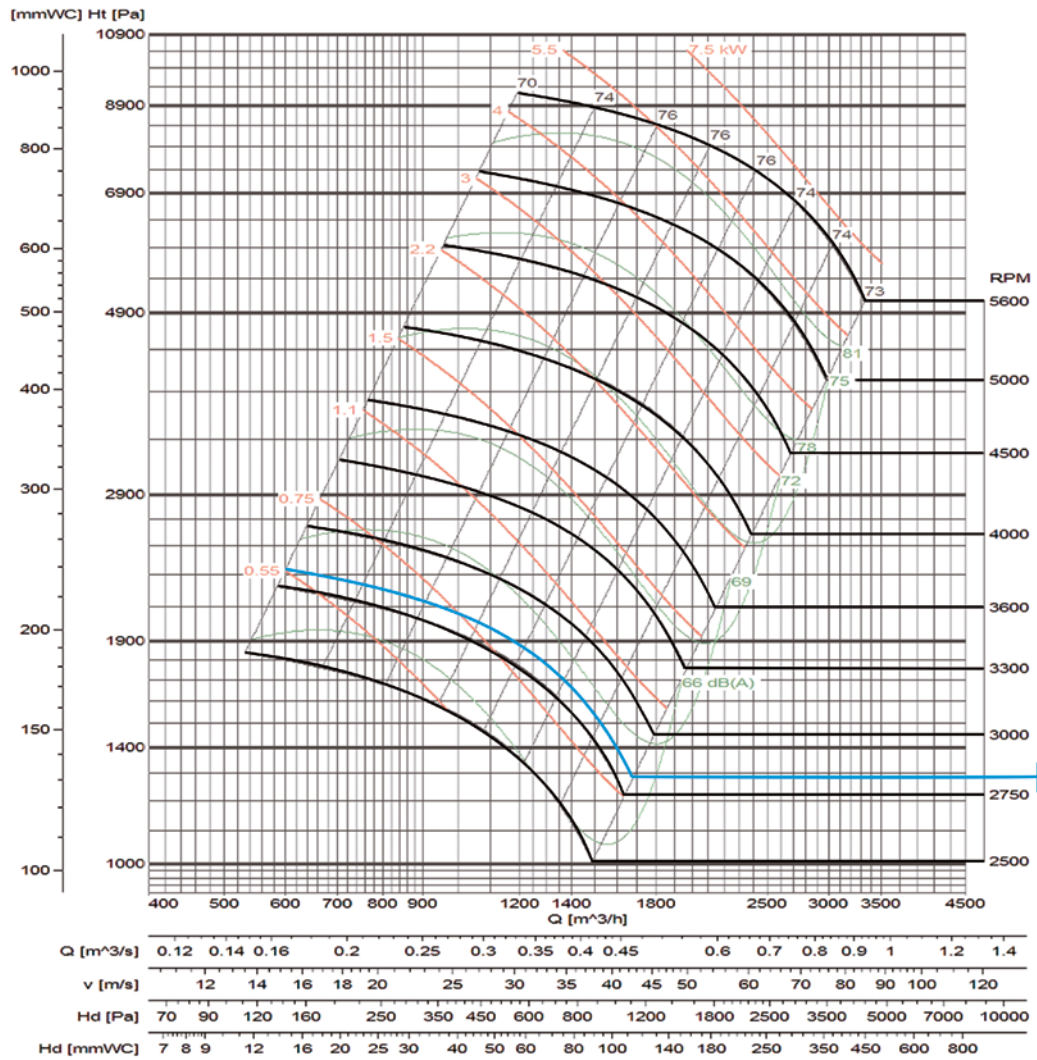
MOD.	FRAME	kW ass	kW inst.	r.p.m	dB	V m³/s																														
						0.16	0.18	0.2	0.23	0.26	0.3	0.33	0.36	0.41	0.46	0.51	0.58	0.66	0.75	0.83																
						Pt kgf/m²=mmH₂O																														
CAMC 360	80 B/2	1	1.1	2820	76	214	212	208	201	193	183	171	162	140	117																					
CAMC 380	90 S/2	1.3	1.5	2840	78		261	256	252	248	241	236	225	203	182	162																				
CAMC 410	90 L/2	2	2.2	2840	82				297	293	287	282	275	263	248	234	213	185																		
CAMC 440	100 LA/2	2.8	3	2850	84							351	346	338	326	320	301	265	239																	
CAMC 470	112 M/2	3.8	4	2860	85								396	390	383	377	367	353	338	318																
CAMC 500	132 SA/2	5.2	5.5	2900	87												440	433	428	419																
CAMC 520	132 SB/2	7.2	7.5	2900	89																480	472	461													
CAMC 550	160 MA/2	8.8	11	2910	90																															

MOD.	FRAME	kW ass	kW inst.	r.p.m	dB	V m³/s																														
						0.93	1.05	1.16	1.33	1.5	1.66	1.86	2.08																							
						Pt kgf/m²=mmH₂O																														
CAMC 470	112 M/2	3.8	4	2860	85	292	248																													
CAMC 500	132 SA/2	5.2	5.5	2900	87	401	376	315																												
CAMC 520	132 SB/2	7.2	7.5	2900	89	450	434	410	378	333																										
CAMC 550	160 MA/2	8.8	11	2910	90	493	472	452	435	412	378	324																								
CAMC 560	160 MA/2	10.5	11	2910	92		516	501	484	455	437	407																								
CAMC 600	160 MB/2	14.5	15	2930	94				572	562	547	518	495																							

Flow margin ±5%
Noise level margin + 3... 5 dB

Characteristic curves

CAMC 360



Flow margin $\pm 5\%$
 Noise level margin + 3... 5 dB
 Margin of kW absorbed $\pm 3\%$

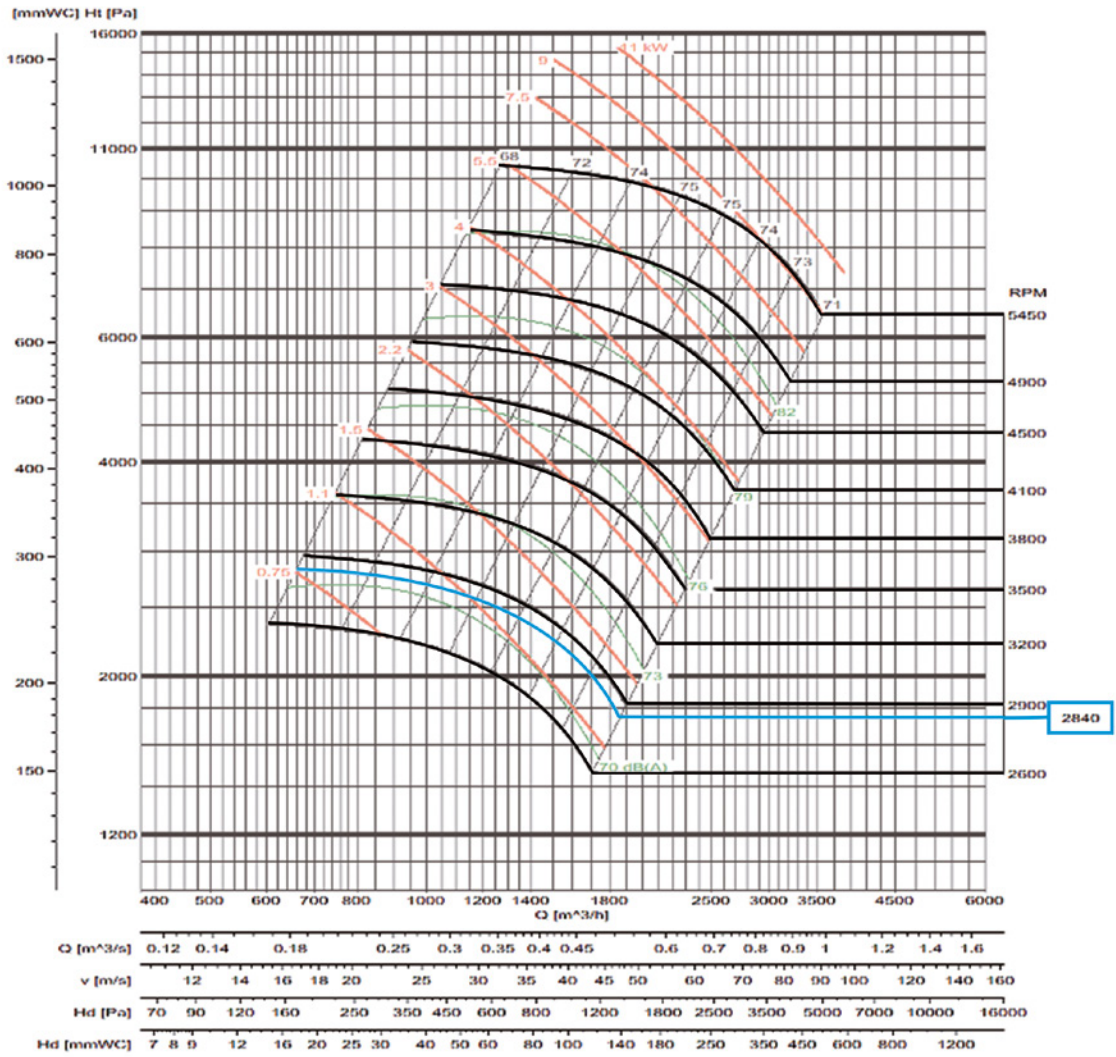
Outlet characteristics.

Rpm

Characteristics for: system 4 and 5 in direct drive motor with 2/4/6/8 poles depending on the model.

Characteristic curves

CAMC 380



LARGE SERIES

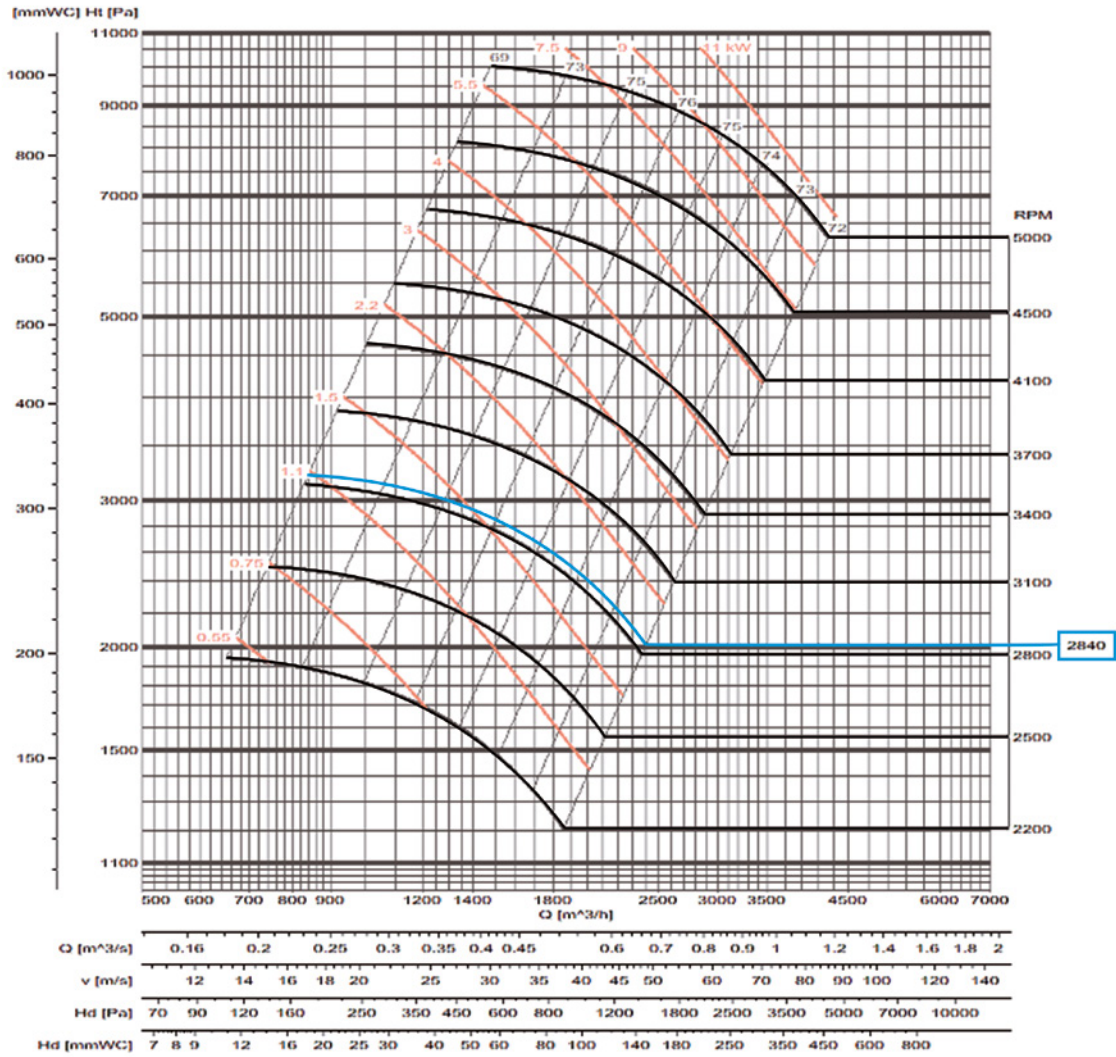
Flow margin ±5%
 Noise level margin + 3... 5 dB
 Margin of kW absorbed ±3%

Outlet characteristics.

Rpm Characteristics for: system 4 and 5 in direct drive motor with 2/4/6/8 poles depending on the model.

Characteristic curves

CAMC 410



Flow margin ±5%
 Noise level margin + 3... 5 dB
 Margin of kW absorbed ±3%

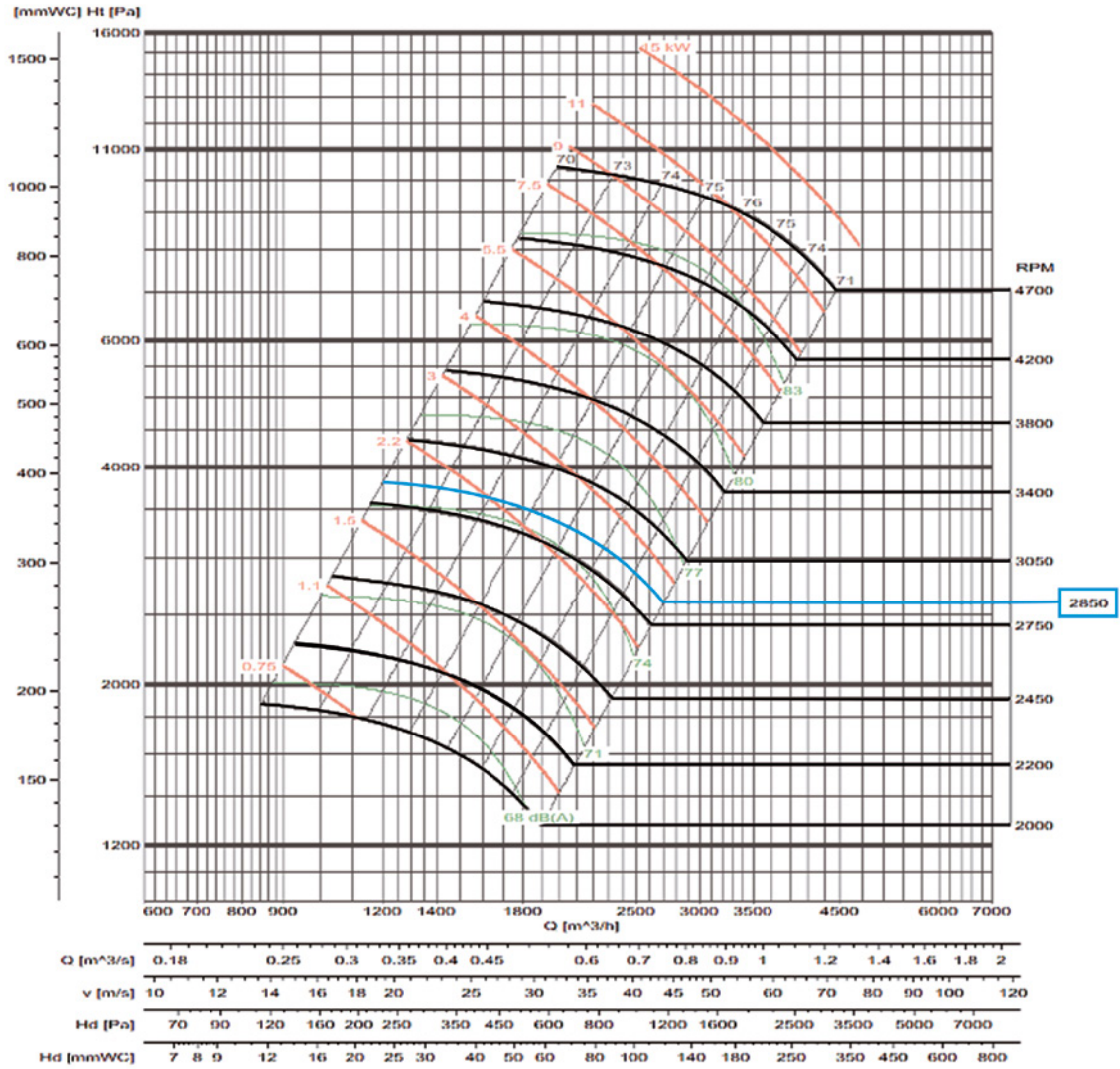
Outlet characteristics.

Rpm Characteristics for: system 4 and 5 in direct drive motor with 2/4/6/8 poles depending on the model.

LARGE SERIES

Characteristic curves

CAMC 440



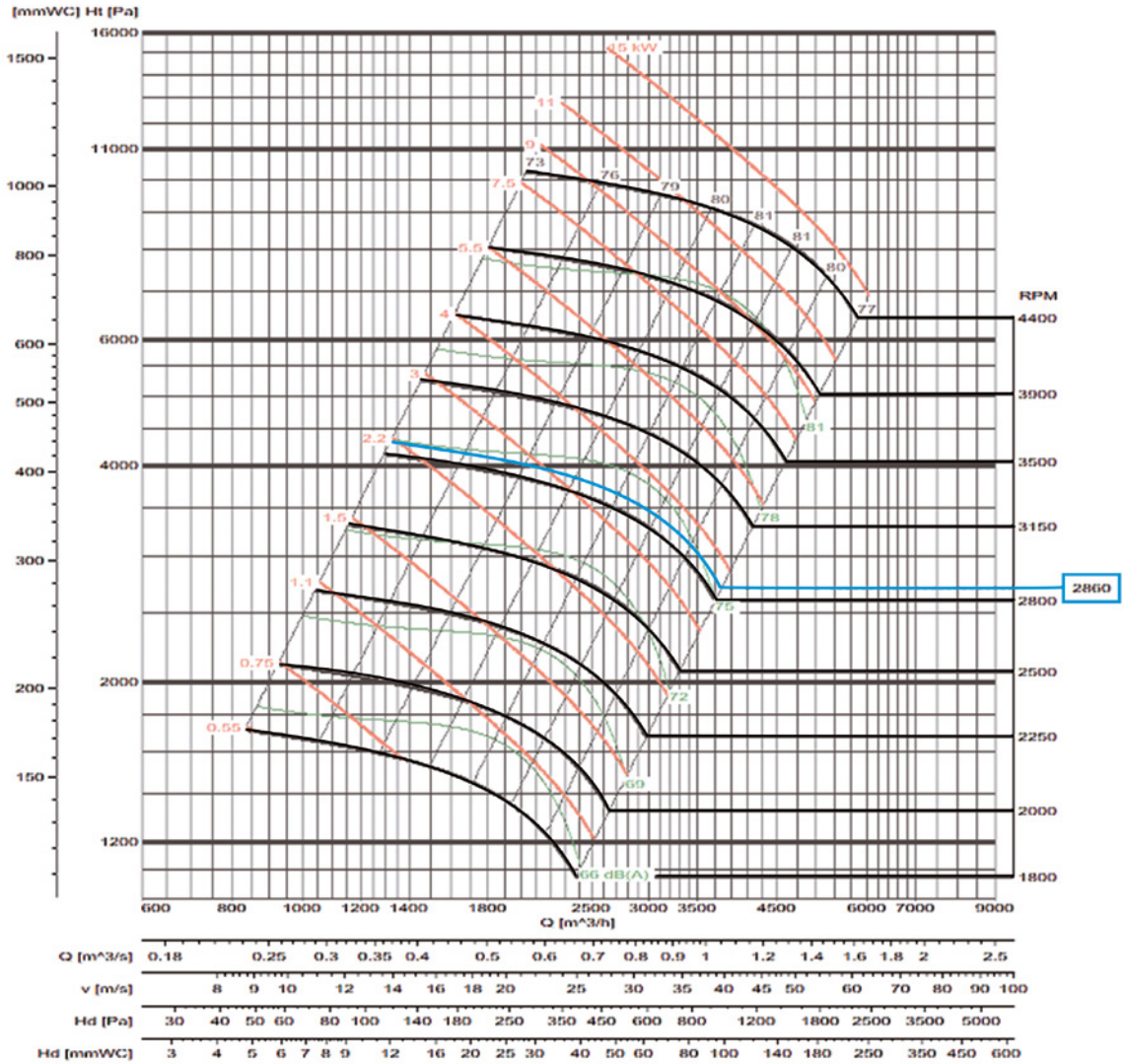
LARGE SERIES

Flow margin ±5%
 Noise level margin + 3... 5 dB
 Margin of kW absorbed ±3%
 Outlet characteristics.

Rpm Characteristics for: system 4 and 5 in direct drive motor with 2/4/6/8 poles depending on the model.

Characteristic curves

CAMC 470



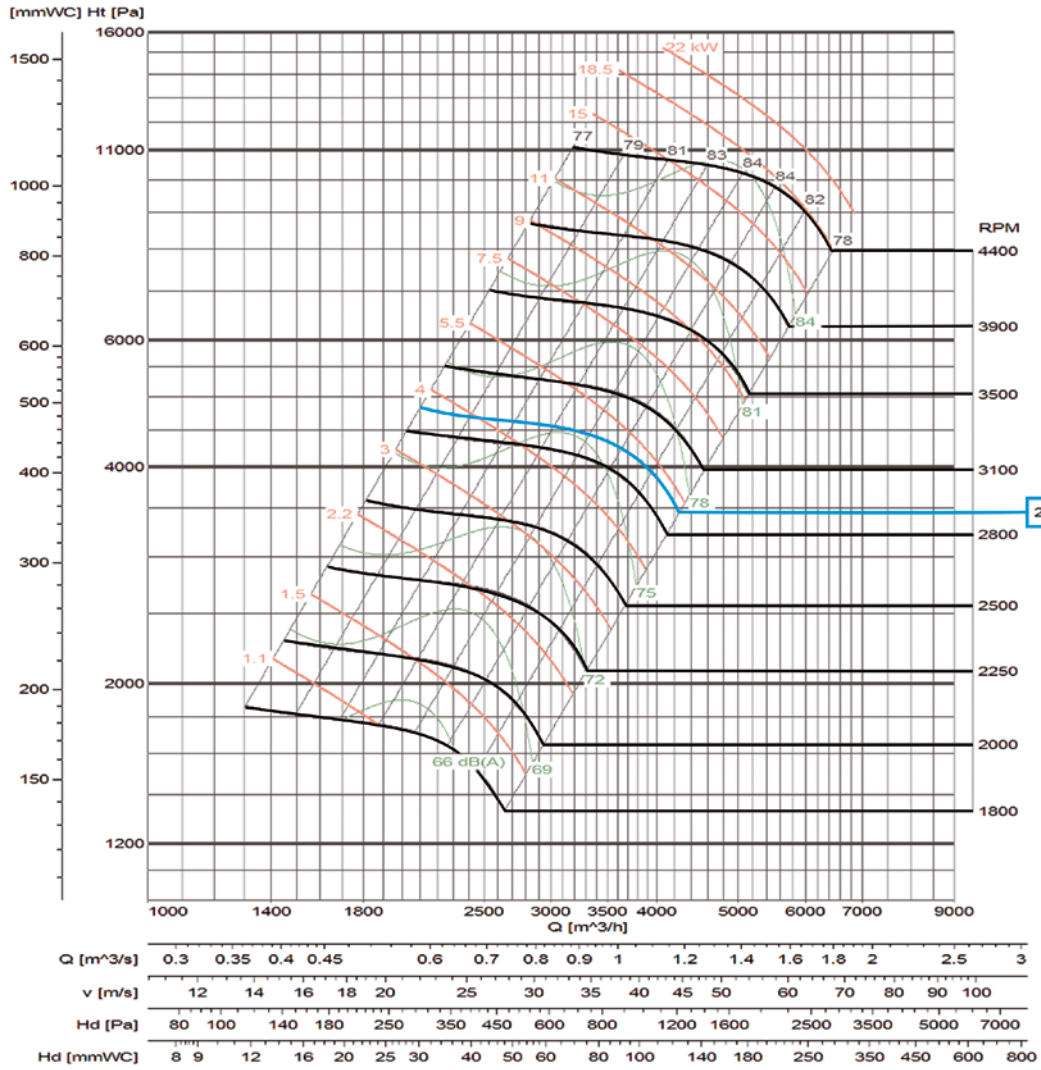
Flow margin ±5%
 Noise level margin + 3... 5 dB
 Margin of kW absorbed ±3%

Outlet characteristics.

Rpm Characteristics for: system 4 and 5 in direct drive motor with 2/4/6/8 poles depending on the model.

Characteristic curves

CAMC 500



LARGE SERIES

Flow margin $\pm 5\%$
 Noise level margin + 3... 5 dB
 Margin of kW absorbed $\pm 3\%$

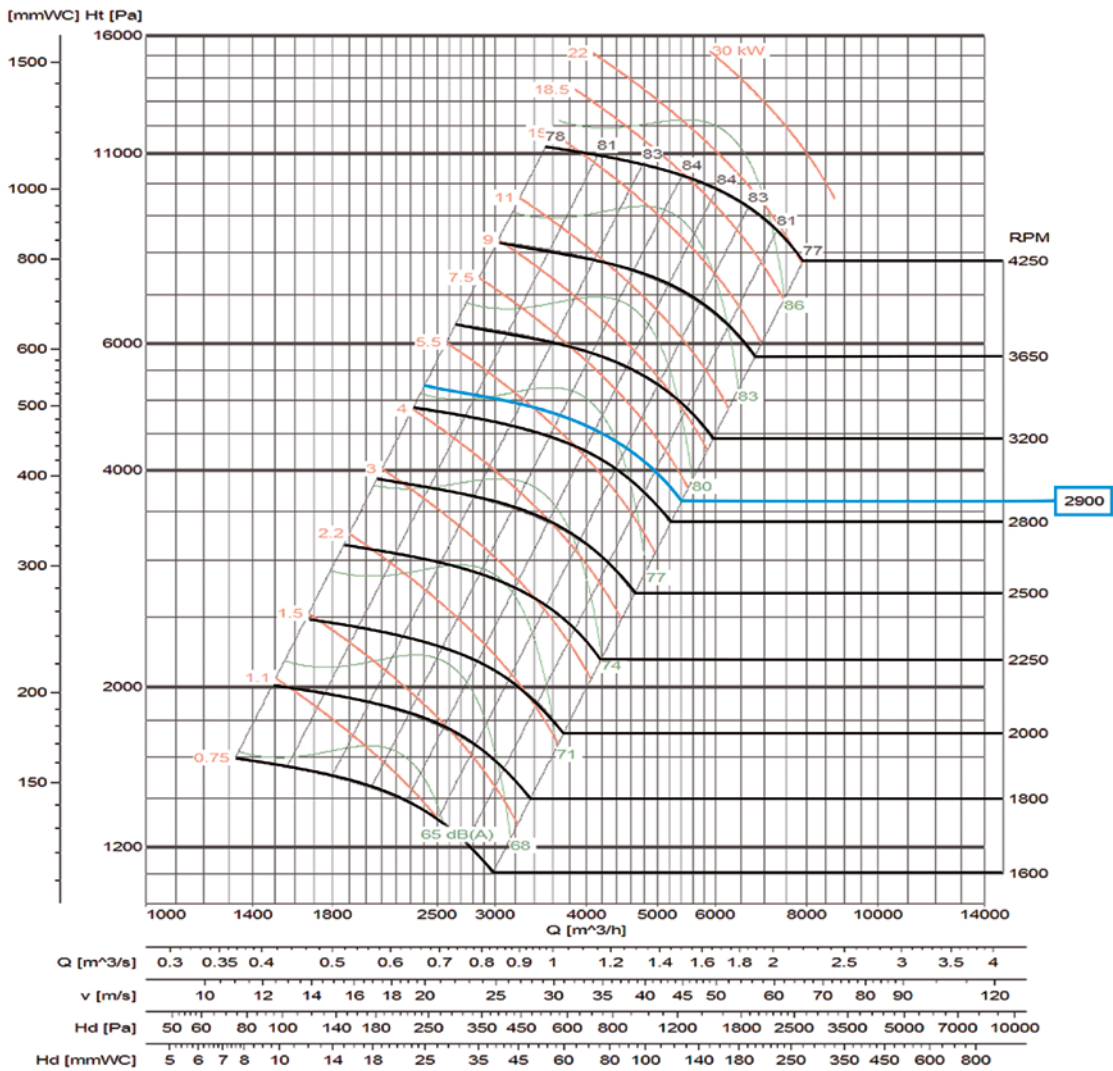
Outlet characteristics.

Rpm

Characteristics for: system 4 and 5 in direct drive motor with 2/4/6/8 poles depending on the model.

Characteristic curves

CAMC 520



Flow margin ±5%
 Noise level margin + 3... 5 dB
 Margin of kW absorbed ±3%

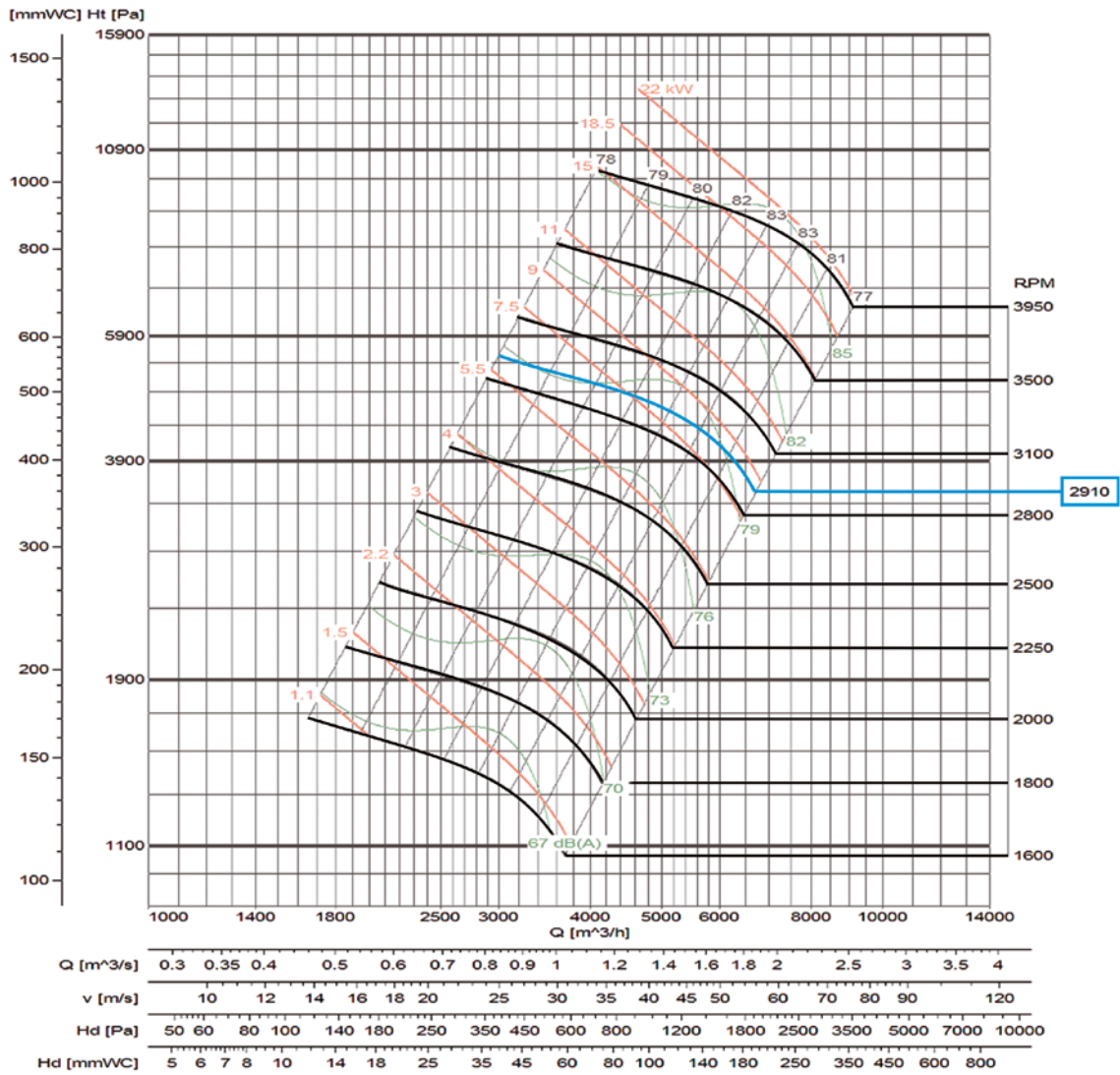
Outlet characteristics.

Rpm

Characteristics for: system 4 and 5 in direct drive motor with 2/4/6/8 poles depending on the model.

Characteristic curves

CAMC 550



LARGE SERIES

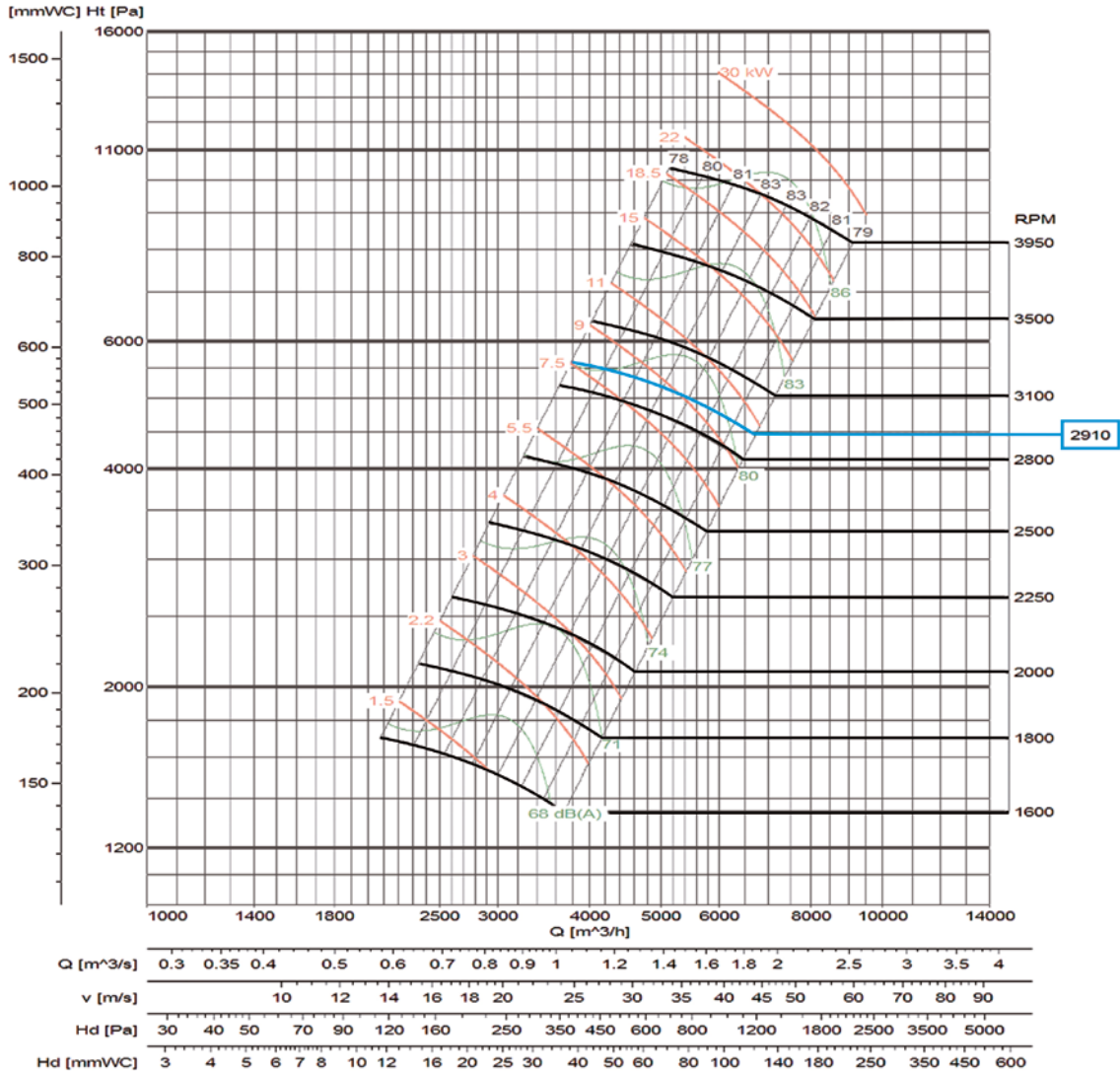
Flow margin ±5%
 Noise level margin + 3... 5 dB
 Margin of kW absorbed ±3%

Outlet characteristics.

Rpm Characteristics for: system 4 and 5 in direct drive motor with 2/4/6/8 poles depending on the model.

Characteristic curves

CAMC 560



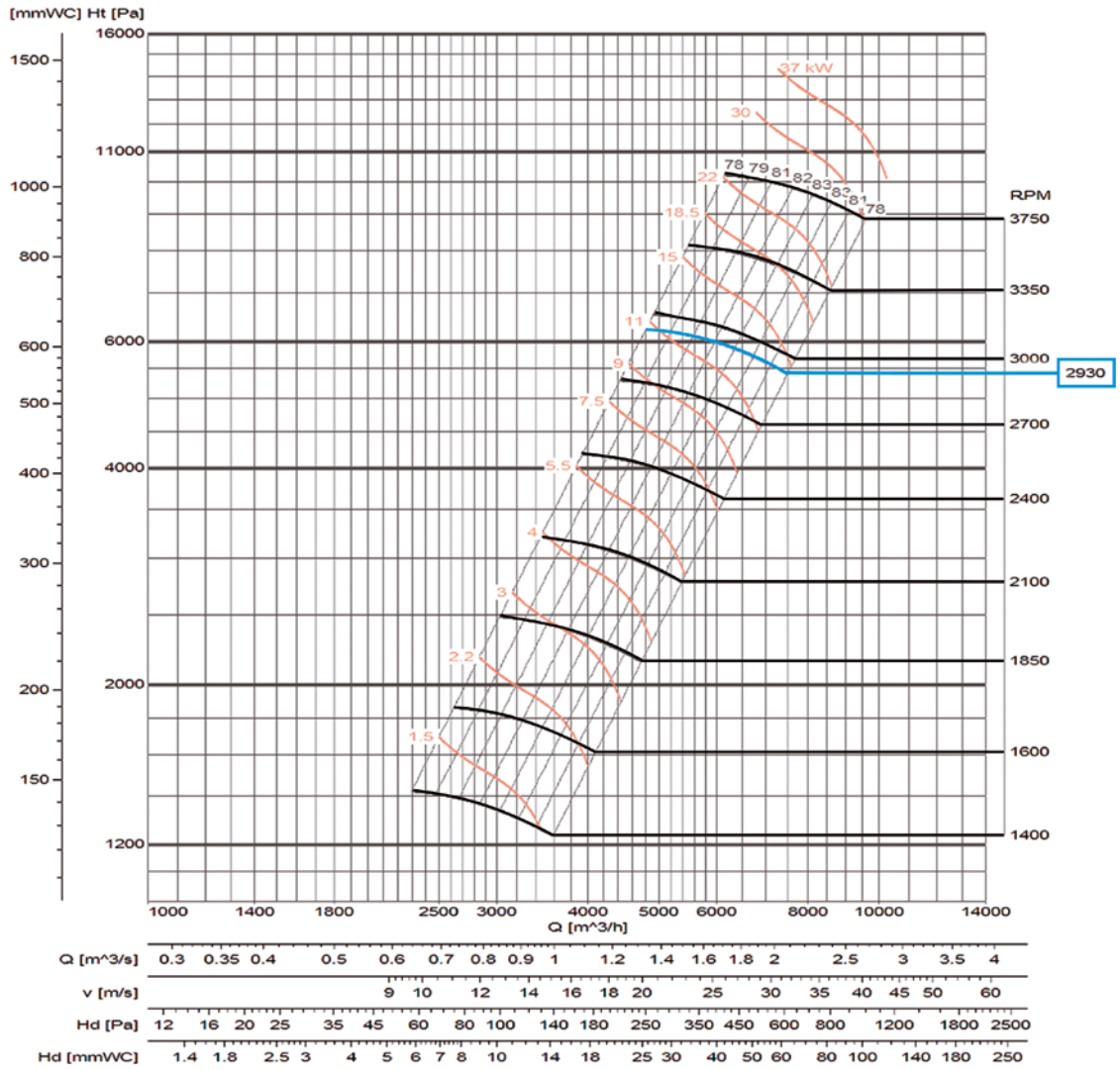
Flow margin $\pm 5\%$
 Noise level margin + 3... 5 dB
 Margin of kW absorbed $\pm 3\%$

Outlet characteristics.

Rpm Characteristics for: system 4 and 5 in direct drive motor with 2/4/6/8 poles depending on the model.

Characteristic curves

CAMC 600



LARGE SERIES

Flow margin ±5%
 Noise level margin + 3... 5 dB
 Margin of kW absorbed ±3%

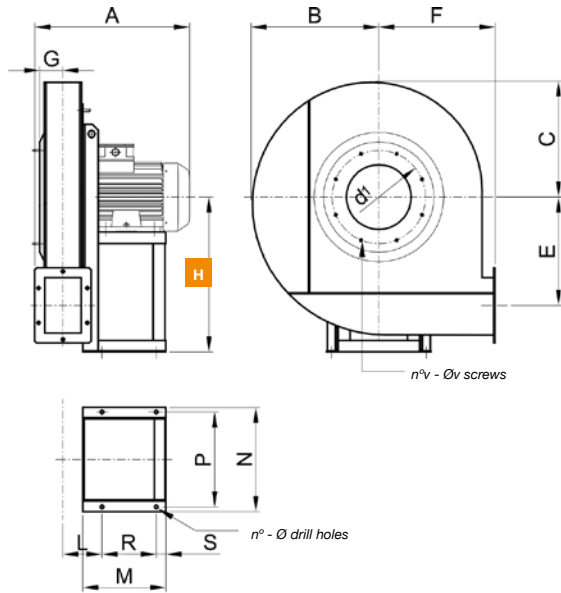
Outlet characteristics.

Rpm Characteristics for: system 4 and 5 in direct drive motor with 2/4/6/8 poles depending on the model.

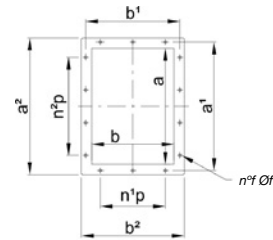
Dimensions mm

SYSTEM
4

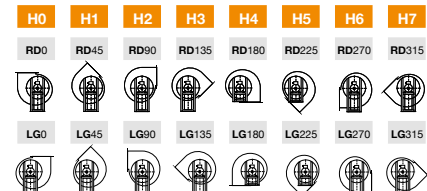
CAMC 360...600



OUTLET NOZZLE



ORIENTATIONS



H *The measurement of height H (distance between the ground and the axis) varies depending on the orientations

MOD.	FRAME	A*	B	C	E	F	G	H0-1-2-3	H4-5	H6-7	L	M*	N	P	R*	S
CAMC 360	80 B/2	365	305	275	260	280	53	355	280	355	95	190	244	220	115	25
CAMC 380	90 S/2	380	305	275	260	280	53	355	280	355	95	215	269	245	140	25
CAMC 410	90 L/2	415	330	300	280	300	60	400	300	400	101	215	269	245	140	25
CAMC 440	100 LA/2	455	390	350	335	355	65	450	355	450	106	260	312	280	185	25
CAMC 470	112 M/2	485	420	380	355	375	77	500	375	500	119	260	312	280	185	25
CAMC 500	132 SA/2	575	420	380	355	375	77	500	375	500	119	320	342	310	245	25
CAMC 520	132 SB/2	590	480	453	400	420	85	560	420	560	127	320	342	310	245	25
CAMC 550	160 MA/2	615	480	453	400	420	85	560	420	560	127	320	342	310	245	25
CAMC 560	160 MA/2	680	495	445	410	430	93	580	430	580	137	425	440	400	345	30
CAMC 600	160 MB/2	800	515	460	450	450	110	665	450	665	157	425	440	400	345	30

OUTLET NOZZLE

MOD.	n°	Φ	d ¹	n°v	Φv	a	b	a ¹	b ¹	a ²	b ²	n°p	n°p	n°f	Φf	kg	WD ²
CAMC 360	4	10	200	8	M6	129	84	161	116	179	134	-	1-90	6	8	35	0.3
CAMC 380	4	10	200	8	M6	129	84	161	116	179	134	-	1-90	6	8	45	0.35
CAMC 410	4	10	241	8	M6	144	95	176	126	194	145	-	1-90	6	8	55	0.5
CAMC 440	4	12	241	8	M6	164	105	194	135	214	155	1-90	1-90	8	8	70	0.8
CAMC 470	4	12	292	8	M8	204	130	235	161	264	190	1-90	2-90	10	10	90	1.35
CAMC 500	4	12	292	8	M8	204	130	235	161	264	190	1-90	2-90	10	10	120	1.7
CAMC 520	4	12	332	8	M8	229	146	259	176	289	206	1-90	2-90	10	10	140	2
CAMC 550	4	12	332	8	M8	229	146	259	176	289	206	1-90	2-90	10	10	155	2.5
CAMC 560	4	14	366	8	M8	255	166	286	194	315	226	1-90	2-90	10	10	200	2.7
CAMC 600	4	14	366	8	M8	320	206	356	235	380	266	1-100	3-100	12	10	235	3.3

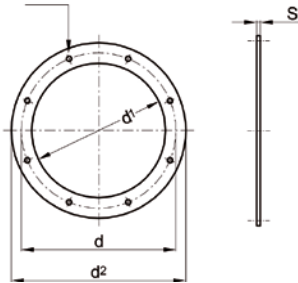
*For "HIGH TEMP." constructions, elevations "A-M-R" + 50 mm.
(kg) Weight of fan with motor.
WD² = Moment of inertia of the impeller, expressed in Kg x m²

To obtain the dimensions of systems 1, 9 and 12 consult with our technical team.

Accessories

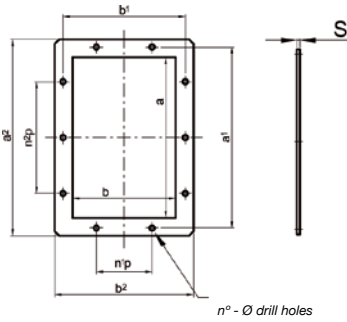
Inlet counter flange

n° - Ø drill holes



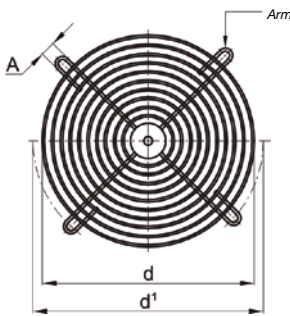
MOD.	d	d'	d ²	n°	Φ	s	kg
CAMC 360	200	165	235	8	9	4	0.65
CAMC 380	200	165	235	8	9	4	0.65
CAMC 410	241	205	275	8	9	4	0.75
CAMC 440	241	205	275	8	9	4	0.75
CAMC 470	292	255	325	8	11	4	1
CAMC 500	292	255	325	8	11	4	1
CAMC 520	332	286	366	8	11	5	1.6
CAMC 550	332	286	366	8	11	5	1.6
CAMC 560	366	321	401	8	11	5	1.8
CAMC 600	366	321	401	8	11	5	1.8

Impulsion counter-flange



MOD.	a	b	a'	b'	a ²	b ²	n°p	n ² p	n°	Φ	s	kg
CAMC 360	129	85	161	116	179	135	-	1--90	6	8	4	0.4
CAMC 380	129	85	161	116	179	135	-	1--90	6	8	4	0.4
CAMC 410	144	95	176	126	194	145	-	1--90	6	8	4	0.45
CAMC 440	164	105	194	135	214	155	1--90	1--90	8	8	4	0.5
CAMC 470	204	130	235	161	264	190	1--90	2--90	10	10	4	0.7
CAMC 500	204	130	235	161	264	190	1--90	2--90	10	10	4	0.7
CAMC 520	229	146	259	176	289	206	1--90	2--90	10	10	4	0.8
CAMC 550	229	146	259	176	289	206	1--90	2--90	10	10	4	0.8
CAMC 560	255	166	286	194	315	226	1--90	2--90	10	10	4	0.9
CAMC 600	320	206	356	235	380	266	1-100	3-100	12	10	4	1

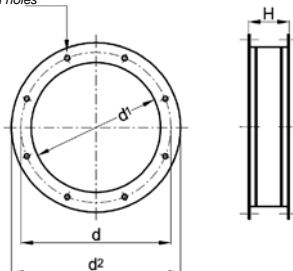
Inlet protection mesh



MOD.	d	d'	A	n°	kg
CAMC 360	165	200	9	4	0.15
CAMC 380	165	200	9	4	0.15
CAMC 410	205	241	9	4	0.2
CAMC 440	205	241	9	4	0.2
CAMC 470	255	292	11	4	0.3
CAMC 500	255	292	11	4	0.3
CAMC 520	286	332	11	4	0.35
CAMC 550	286	332	11	4	0.35
CAMC 560	321	366	11	4	0.4
CAMC 600	321	366	11	4	0.4

Inlet anti-vibration seal

n° - Ø drill holes

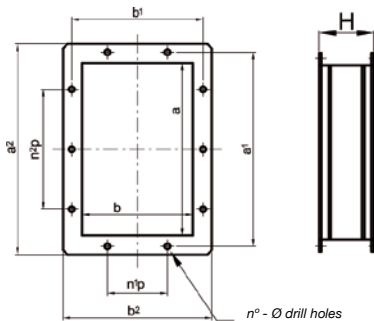


MOD.	d	d'	d ²	n°	Φ	H	kg
CAMC 360	200	165	235	8	9	200	1.5
CAMC 380	200	165	235	8	9	200	1.5
CAMC 410	241	205	275	8	9	200	1.7
CAMC 440	241	205	275	8	9	200	1.7
CAMC 470	292	255	325	8	11	200	2.2
CAMC 500	292	255	325	8	11	200	2.2
CAMC 520	332	286	366	8	11	200	3.4
CAMC 550	332	286	366	8	11	200	3.4
CAMC 560	366	321	401	8	11	200	3.8
CAMC 600	366	321	401	8	11	200	3.8

LARGE SERIES

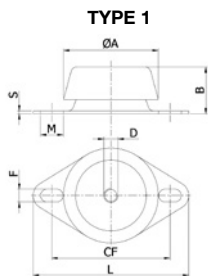
Accessories

Impulsion anti-vibration seal



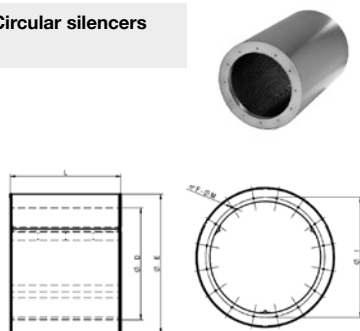
MOD.	a	b	a¹	b¹	a²	b²	n¹p	n²p	nº	Ø	H	kg
CAMC 360	129	85	161	116	179	135	-	1--90	6	8	200	1
CAMC 380	129	85	161	116	179	135	-	1--90	6	8	200	1
CAMC 410	144	95	176	126	194	145	-	1--90	6	8	200	1.1
CAMC 440	164	105	194	135	214	155	1--90	1--90	8	8	200	1.2
CAMC 470	204	130	235	161	264	190	1--90	2--90	10	10	200	1.6
CAMC 500	204	130	235	161	264	190	1--90	2--90	10	10	200	1.6
CAMC 520	229	146	259	176	289	206	1--90	2--90	10	10	200	1.8
CAMC 550	229	146	259	176	289	206	1--90	2--90	10	10	200	1.8
CAMC 560	255	166	286	194	315	226	1--90	2--90	10	10	200	2
CAMC 600	320	206	356	235	380	266	1-100	3-100	12	10	200	2.2

Shock absorbers



MOD.	SHOCK-ABSORBERS MODEL	TYPE	ØA	B	D	CF	F	L	M	S
CAMC 360	CF 623110	1	67	33...34	10	76.5	9	90.5	16	2
CAMC 380	CF 623110	1	67	33...34	10	76.5	9	90.5	16	2
CAMC 410	CF 623110	1	67	33...34	10	76.5	9	90.5	16	2
CAMC 440	CF 623110	1	67	33...34	10	76.5	9	90.5	16	2
CAMC 470	CF 623110	1	67	33...34	10	76.5	9	90.5	16	2
CAMC 500	CF 623110	1	67	33...34	10	76.5	9	90.5	16	2
CAMC 520	CF 623110	1	67	33...34	10	76.5	9	90.5	16	2
CAMC 550	CF 623110	1	67	33...34	10	76.5	9	90.5	16	2
CAMC 560	CF 623110	1	67	33...34	10	76.5	9	90.5	16	2
CAMC 600	CF 623110	1	67	33...34	10	76.5	9	90.5	16	2

Circular silencers



Silencers are used to lower the noise level at air conditioning or ventilation installation manufactured using galvanised steel.

- Upon request: other constructions using different materials.

ØD	ØE	L	ØI	F	ØM	ØD	ØE	L	ØI	F	ØM
315	515	ØD,1,5ØD, 2ØD	355	8	M8	900	1100	ØD,1,5ØD, 2ØD	970	16	M10
355	555	ØD,1,5ØD, 2ØD	395	8	M8	1000	1200	ØD,1,5ØD, 2ØD	1070	16	M10
400	600	ØD,1,5ØD, 2ØD	450	8	M8	1120	1320	ØD,1,5ØD, 2ØD	1190	20	M10
450	650	ØD,1,5ØD, 2ØD	500	8	M8	1250	1450	ØD,1,5ØD, 2ØD	1320	20	M10
500	700	ØD,1,5ØD, 2ØD	560	12	M8	1400	1600	ØD,1,5ØD, 2ØD	1470	20	M10
560	760	ØD,1,5ØD, 2ØD	620	12	M8	1500	1700	ØD,1,5ØD, 2ØD	1570	20	M10
630	830	ØD,1,5ØD, 2ØD	690	12	M8	1600	1800	ØD,1,5ØD, 2ØD	1680	24	M14
710	910	ØD,1,5ØD, 2ØD	770	16	M8	1700	1900	ØD,1,5ØD, 2ØD	1780	24	M14
800	1000	ØD,1,5ØD, 2ØD	860	16	M8	1800	2000	ØD,1,5ØD, 2ØD	1880	24	M14

DIRECT DRIVE MOTOR

CAMD

Extremely robust medium pressure and single inlet centrifugal fans with sheet steel casing and impeller
Designed for dusty air



*The images are provided only for illustrative purposes, the product may vary depending on its size, specifications and position.

Fan:

- Sheet steel casing.
- Backward curved impeller, made of very robust sheet steel, specially designed for air with a lot of dust and small materials.
- Directly coupled motor.
- With inspection and cleaning hatch from size 560 and up.
- Sizes larger than 1600 will be supplied with the casing disassembled to facilitate transport.
- Casing continuously welded starting with size 710.

Motor:

- Motors with IE3 efficiency for powers equal to or greater than 0.75kW, except single-phase, 2-speed and 8-pole.
- Class F motors with ball bearings, IP55 protection.
- Three-phase 230/400 V 50 Hz (up to 4 kW) and 400/690 V 50 Hz (powers greater than 4 kW).
- Maximum temperature of air to be carried: -25 °C +90 °C.

Finishing:

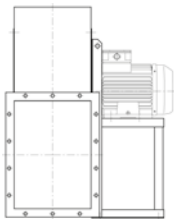
- Anti-corrosive finish in polyester resin, polymerised at 190 °C, after degreasing with phosphate-free nanotechnology treatment.

On request:

- Special windings for different voltages.
- Fan prepared to transport air up to +150 °C.
- Special executions for temperatures + 300 °C.
- Stainless steel fan.
- ATEX certified Category 2.
- System 8 elastic coupling.

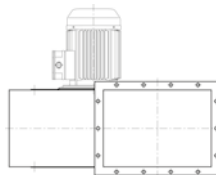
Direct drive motor construction method

SYSTEM 4



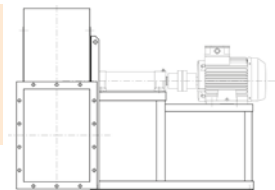
Direct drive, impeller mounted on the motor shaft, mounted on the pedestal.

SYSTEM 5



Direct drive, impeller mounted on the motor shaft, flange motor mounted on the fan casing.

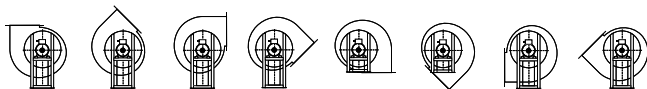
SYSTEM 8



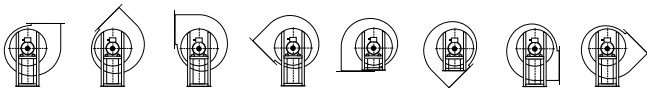
Elastic coupling drive, impeller mounted on the support shaft, mounted on the motor via an elastic coupling. Everything mounted together on a fan pedestal.

Orientations

RD 0 RD45 RD90 RD135 RD180 RD225 RD270 RD315



LG 0 LG45 LG90 LG135 LG180 LG225 LG270 LG315



BELT-DRIVEN MOTOR

CAMD-X

Belt driven medium pressure fans, equipped with an electric motor, a set of pulleys, belts and protectors standardized according to ISO-13857

Designed for dusty air



*The images are provided only for illustrative purposes, the product may vary depending on its size, specifications and position.



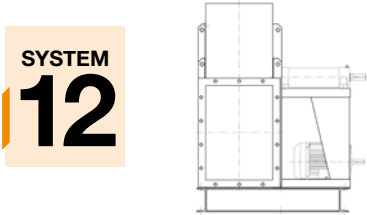
- Fan:**
- Sheet steel casing.
 - Backward curved impeller, made of very robust sheet steel, specially designed for air with a lot of dust and small materials.
 - Engine mounted on general bench.
 - With inspection and cleaning hatch from size 560 and up.
 - Sizes larger than 1600 will be supplied with the casing disassembled to facilitate transport.
 - Casing continuously welded starting with size 710.

- Motor:**
- IE3 efficiency motors.
 - Class F motors with ball bearings, IP55 protection.
 - Three-phase 230/400 V 50 Hz (up to 4 kW) and 400/690 V 50 Hz (powers greater than 4 kW).
 - Maximum temperature of air to be carried: -25 °C +90 °C.

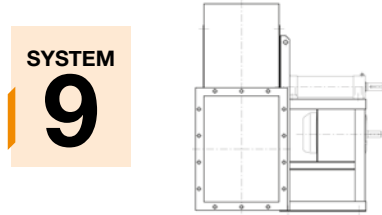
- Finishing:**
- Anti-corrosive finish in polyester resin, polymerised at 190 °C, after degreasing with phosphate-free nanotechnology treatment.

- On request:**
- Special windings for different voltages.
 - Fan prepared to transport air up to +300 °C.
 - Stainless steel fan.
 - ATEX certified Category 2.
 - System 8 elastic coupling.

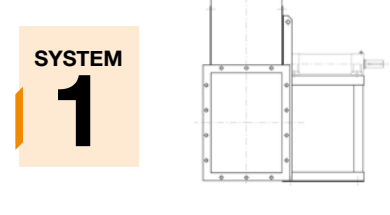
Belt-driven motor construction method



Transmission drive, identical to SYSTEM 1, with the motor and fan mounted on the common bench. Motor positions "W" or "Z" and exceptionally "X" or "Y".

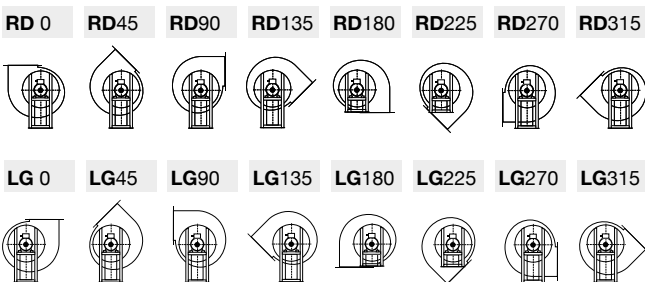


Transmission drive, identical to SYSTEM 1, with the motor mounted on the side of the pedestal, in position "W" or "Z".



Transmission drive, impeller mounted on the support shaft. Support mounted on the pedestal.

Orientations



LARGE SERIES

QUICK SELECT SYSTEM 4

Outlet characteristics

Model	Frame	kW abs	kW inst.	r.p.m.	dB	V m ³ /s																		
						0.35	0.4	0.45	0.55	0.6	0.65	0.75	0.85	0.95	1.05	1.2	1.3	1.5	1.7	1.9				
						Pt kgf/m ² =mmH ₂ O																		
CAMD 400/B	90 L/2	2	2.2	2840	75	225	225	223	220	210	200	190	180											
CAMD 400/A	100 LA/2	2.6	3	2850	76	270	270	265	260	255	250	235	220	205	190	140	115							
CAMD 450/B	112 M/2	3.7	4	2860	78				305	305	300	295	290	280	275	260								
CAMD 450/A	132 SA/2	4.4	5.5	2900	84				350	350	345	340	335	325	310	290	270	240	190	130				
CAMD 500/B	132 SB/2	6.4	7.5	2900	85							380	380	375	370	365	355	330	300					
CAMD 500/A	160 MA/2	7.6	11	2910	87							440	440	435	430	420	405	385	365	335				
CAMD 560/B	160 MA/2	10.6	11	2910	88										490	485	480	475	465	450				
CAMD 560/A	160 MB/2	13.5	15	2930	88										560	555	550	545	535	510				
CAMD 630/B	180 MB/2	20	22	2950	88													635	630	625				
CAMD 630/A	200 LA/2	26	30	2950	90															725	720	715		
CAMD 560/B	90 L/4	1.4	1.5	1380	68				120	120	118	115	114	112	105	95								
CAMD 560/A	100 LA/4	1.8	2.2	1410	69				135	135	132	130	128	125	120	115	105	100	75	60				
CAMD 630/B	100 LB/4	2.7	3	1410	70							160	160	158	155	150	145	140	130					
CAMD 630/A	112 M/4	3.5	4	1420	71							180	180	178	175	170	165	160	150	140				
CAMD 710/B	112 M/4	3.9	4	1420	72										195	194	190	185	180	175				
CAMD 710/A	132 S/4	5.4	5.5	1430	73										220	218	215	212	210	200				
CAMD 800/B	132 MA/4	7.4	7.5	1430	75													240	240	235				
CAMD 800/A	160 M/4	10	11	1465	78														282	280	280			
CAMD 900/B	132 MA/6	3.9	4	950	68															130	130	128	127	
CAMD 900/A	132 MB/6	5	5.5	950	69															150	150	145	143	
CAMD 1000/B	160 M/6	6.5	7.5	960	70																		165	
CAMD 1000/A	160 L/6	8.7	11	960	71																		190	

Flow margin ±5%
Noise level margin + 3... 5 dB

Model	Frame	kW abs	kW inst.	r.p.m.	dB	V m ³ /s																			
						2.1	2.3	2.7	3	3.3	3.7	4.2	4.7	5.3	6	6.5	7.5	8.5	9.5	10.5					
						Pt kgf/m ² =mmH ₂ O																			
CAMD 500/A	160 MA/2	7.6	11	2910	87	300	260	160																	
CAMD 560/B	160 MA/2	10.6	11	2910	88	420	405																		
CAMD 560/A	160 MB/2	13.5	15	2930	88	500	475	425	375																
CAMD 630/B	180 MB/2	20	22	2950	88	615	605	585	550	505															
CAMD 630/A	200 LA/2	26	30	2950	90	705	695	670	640	600	550	490	400	300											
CAMD 710/B	200 LB/2	36	37	2960	91	800	790	785	765	750	740	700	660												
CAMD 710/A	225 M/2	44	45	2960	92	905	903	900	880	860	850	815	760	700	625	550	380								
CAMD 800/B	280 S/2	64	75	2970	93				1050	1040	1025	1020	1000	970	920	850									
CAMD 800/A	280 M/2	84	90	2970	94				1200	1180	1175	1160	1140	1100	1050	1000	950	800	650	500					
CAMD 900/B	315 MA/2	116	132	2980	96							1320	1310	1300	1280	1250	1220	1180	1050						
CAMD 900/A	315 MB/2	150	160	2980	98							1500	1490	1480	1450	1420	1400	1350	1250	1180					
CAMD 630/A	112 M/4	3.5	4	1420	71	120	105	75																	
CAMD 710/B	112 M/4	3.9	4	1420	72	175																			
CAMD 710/A	132 S/4	5.4	5.5	1430	73	190	180	170	150	120															
CAMD 800/B	132 MA/4	7.4	7.5	1430	75	225	220	215	210																
CAMD 800/A	160 M/4	10	11	1465	78	275	270	260	250	240	220	200	160	120											
CAMD 900/B	160 L/4	14	15	1465	80		320	318	315	310	300	290	270												
CAMD 900/A	180 L/4	20	22	1470	82		370	365	360	350	340	330	315	290	260	220	160								
CAMD 1000/B	200 L/4	26	30	1470	84				390	390	380	375	370	360	350	330									
CAMD 1000/A	225 S/4	32	37	1480	86				455	452	450	440	430	425	400	380	350	300	250	180					
CAMD 1120/B	225 M/4	44	45	1480	87							500	490	485	475	470	460	400	380						
CAMD 1120/A	250 M/4	54	55	1480	89							575	570	565	555	550	540	500	475	450					
CAMD 1250/B	280 S/4	74	75	1485	90										630	630	620	620	610	590					
CAMD 1250/A	315 S/4	98	110	1485	92										730	725	720	710	680	660					
CAMD 1400/B	315 MA/4	130	132	1485	94														800	795	790				
CAMD 1400/A	315 MC/4	170	200	1485	95															920	920	910			

Flow margin ±5%
Noise level margin + 3... 5 dB

LARGE SERIES

QUICK SELECT SYSTEM 4

Outlet characteristics

Model	Frame	kW abs	kW inst.	r.p.m.	dB	V m ³ /s																
						2.1	2.3	2.7	3	3.3	3.7	4.2	4.7	5.3	6	6.5	7.5	8.5	9.5	10.5		
						Pt kgf/m ² =mmH ₂ O																
CAMD 900/B	132 MA/6	3.9	4	950	68	125	120	115	105													
CAMD 900/A	132 MB/6	5	5.5	950	69	140	138	135	125	115	100	80	60									
CAMD 1000/B	160 M/6	6.5	7.5	960	70	163	160	158	155	154	145	135										
CAMD 1000/A	160 L/6	8.7	11	960	71	188	188	185	180	170	165	160	145	130	100	75						
CAMD 1120/B	180 L/6	12	15	970	74			215	213	210	208	205	200	185	180							
CAMD 1120/A	200 LA/6	15	18.5	975	75			250	245	240	235	230	225	220	205	190	170	150	100			
CAMD 1250/B	200 LB/6	20	22	975	76						270	265	260	258	255	245	235	210				
CAMD 1250/A	225 M/6	27	30	980	77						320	315	310	305	295	285	275	265	245	230		
CAMD 1400/B	250 M/6	36	37	980	80											345	340	335	330	325	315	300
CAMD 1400/A	280 M/6	49	55	985	81											400	395	390	385	380	370	350

Flow margin ±5%
Noise level margin + 3... 5 dB

Model	Frame	kW abs	kW inst.	r.p.m.	dB	V m ³ /s															
						12	13	15	17	19	21	23	27	30							
						Pt kgf/m ² =mmH ₂ O															
CAMD 900/A	315 MB/2	150	160	2980	98	1075	950	620													
CAMD 1120/A	250 M/4	54	55	1480	89	380	325	230													
CAMD 1250/B	280 S/4	74	75	1485	90	560	510														
CAMD 1250/A	315 S/4	98	110	1485	92	640	610	560	480	380	270										
CAMD 1400/B	315 MA/4	130	132	1485	94	780	760	730	680	630											
CAMD 1400/A	315 MC/4	170	200	1485	95	900	880	850	810	760	710	630	500	380							
CAMD 1250/A	225 M/6	27	30	980	77	185	120														
CAMD 1400/B	250 M/6	36	37	980	80	280															
CAMD 1400/A	280 M/6	49	55	985	81	340	320	280	240	165											

Flow margin ±5%
Noise level margin + 3... 5 dB

QUICK SELECT SYSTEM 4

Inlet characteristics

Model	Frame	kW abs	kW inst.	r.p.m.	dB	V m ³ /s														
						2.1	2.3	2.7	3	3.3	3.7	4.2	4.7	5.3	6	6.5	7.5	8.5	9.5	10.5
						Pt kgf/m ² = mmH ₂ O														
CAMD 900/B	132 MA/6	3.9	4	950	71	119	114	109	100											
CAMD 900/A	132 MB/6	5	5.5	950	72	133	131	128	119	109	95	76	57							
CAMD 1000/B	160 M/6	6.5	7.5	960	73	155	152	150	147	146	138	128								
CAMD 1000/A	160 L/6	8.7	11	960	74	179	179	176	171	162	157	152	138	124	95	71				
CAMD 1120/B	180 L/6	12	15	970	77			204	202	200	198	195	190	176	171					
CAMD 1120/A	200 LA/6	15	18.5	975	78			238	233	228	223	219	214	209	195	181	162	143	95	
CAMD 1250/B	200 LB/6	20	22	975	79					257	252	247	245	242	233	223	200			
CAMD 1250/A	225 M/6	27	30	980	80					304	299	295	290	280	271	261	252	233	219	
CAMD 1400/B	250 M/6	36	37	980	83									328	323	318	314	309	299	285
CAMD 1400/A	280 M/6	49	55	985	84									380	375	371	366	361	352	333

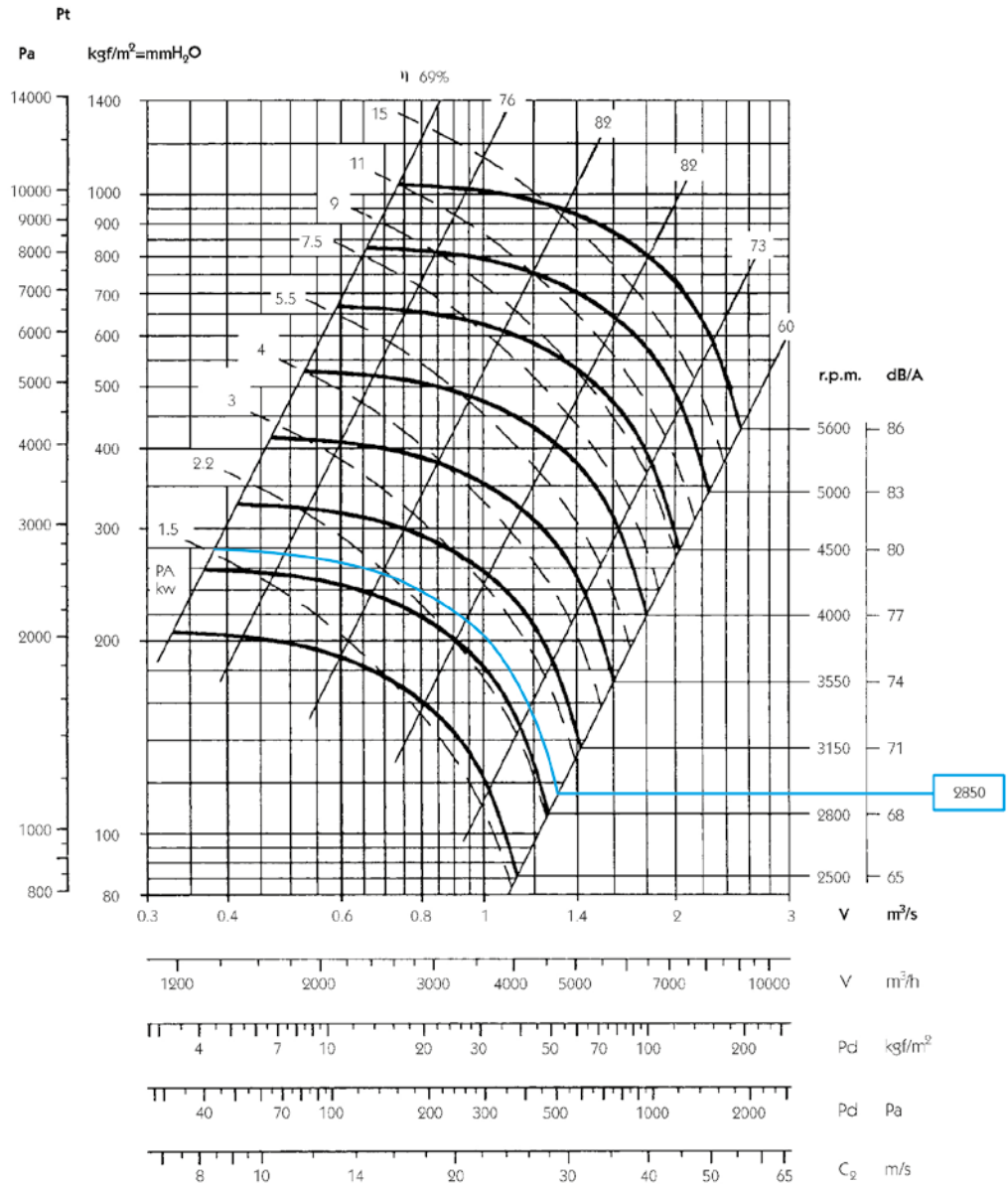
Flow margin ±5%
Noise level margin + 3... 5 dB

Model	Frame	kW abs	kW inst.	r.p.m.	dB	V m ³ /s														
						12	13	15	17	19	21	23	27	30						
						Pt kgf/m ² = mmH ₂ O														
CAMD 900/A	315 MB/2	150	160	2980	101	1021	903	589												
CAMD 1120/A	250 M/4	54	55	1480	92	361	309	219												
CAMD 1250/B	280 S/4	74	75	1485	93	532	485													
CAMD 1250/A	315 S/4	98	110	1485	95	608	580	532	456	361	257									
CAMD 1400/B	315 MA/4	130	132	1485	97	741	722	694	646	599										
CAMD 1400/A	315 MC/4	170	200	1485	98	855	836	808	770	722	675	599	475	361						
CAMD 1250/A	225 M/6	27	30	980	80	176	114													
CAMD 1400/B	250 M/6	36	37	980	83	266														
CAMD 1400/A	280 M/6	49	55	985	84	323	304	266	228	157										

Flow margin ±5%
Noise level margin + 3... 5 dB

Characteristic curves

CAMD 400



LARGE SERIES

Flow margin ±5%
 Noise level margin + 3... 5 dB
 Margin of kW absorbed ±3%

Outlet characteristics.

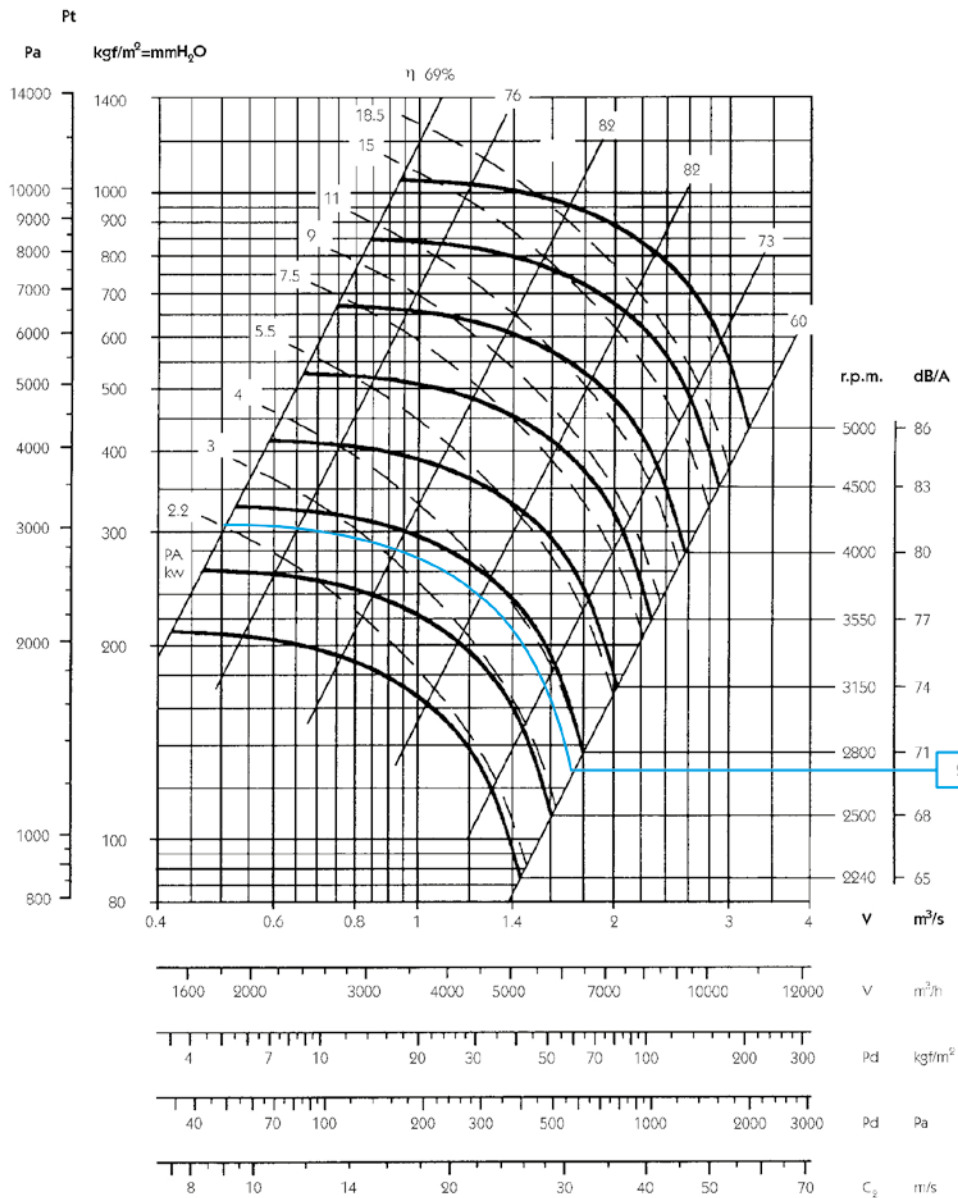
Maximum admissible Rpm

Class 1	
≤ 100 °C	6000
100... 200 °C	5300
200... 300 °C	4750

Rpm Characteristics for: system 4 and 5 in direct drive motor with 2/4/6/8 poles depending on the model.

Characteristic curves

CAMD 450



LARGE SERIES

Flow margin ±5%
 Noise level margin + 3... 5 dB
 Margin of kW absorbed ±3%

Outlet characteristics.

Maximum admissible Rpm

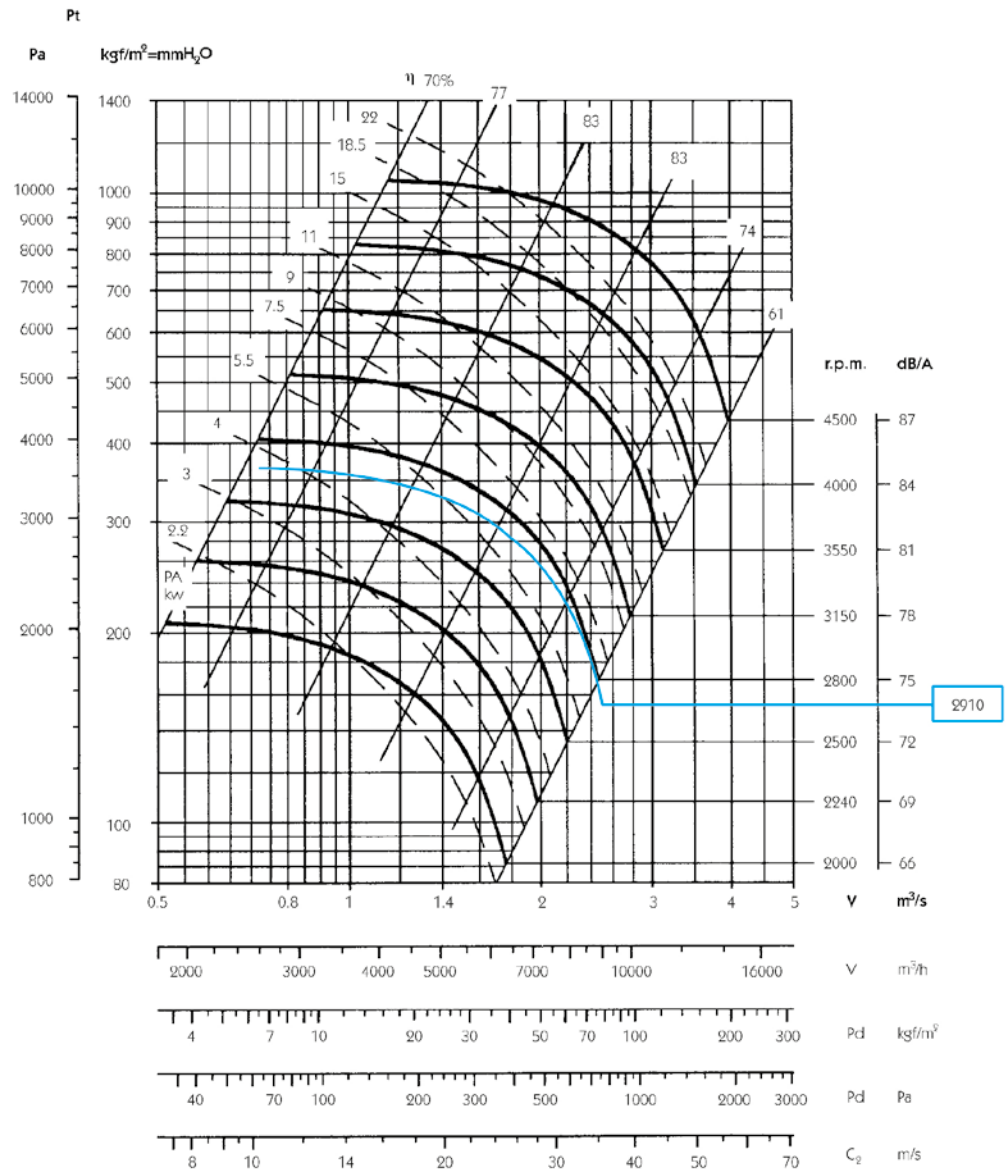
Class 1	
≤ 100 °C	5300
100... 200 °C	4750
200... 300 °C	4250

Rpm

Characteristics for: system 4 and 5 in direct drive motor with 2/4/6/8 poles depending on the model.

Characteristic curves

CAMD 500



LARGE SERIES

Flow margin ±5%
 Noise level margin + 3... 5 dB
 Margin of kW absorbed ±3%

Outlet characteristics.

Maximum admissible Rpm

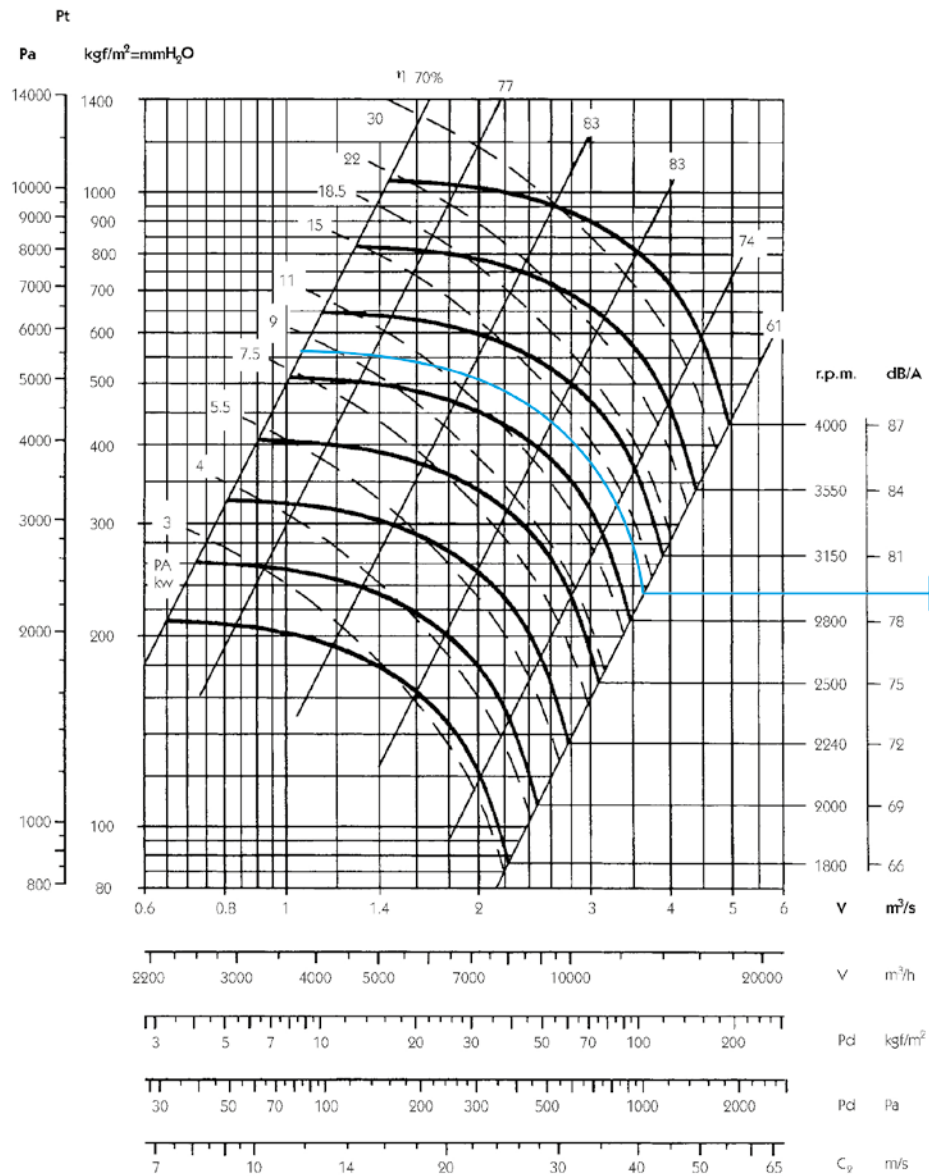
Class 1	
≤ 100 °C	4750
100... 200 °C	4250
200... 300 °C	3750

Rpm

Characteristics for: system 4 and 5 in direct drive motor with 2/4/6/8 poles depending on the model.

Characteristic curves

CAMD 560



LARGE SERIES

Flow margin ±5%
 Noise level margin + 3... 5 dB
 Margin of kW absorbed ±3%

Outlet characteristics.

Maximum admissible Rpm

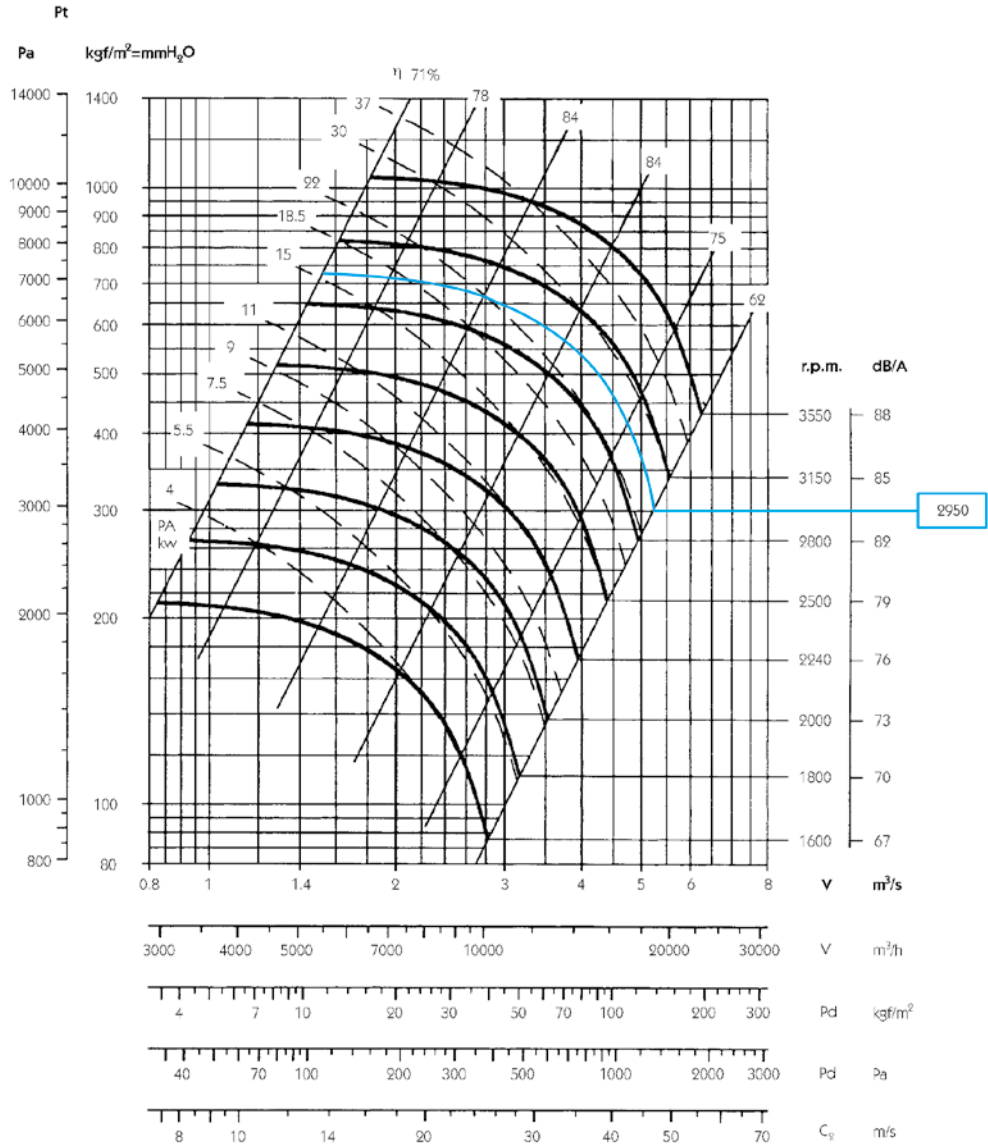
Class 1	
≤ 100 °C	4250
100... 200 °C	3750
200... 300 °C	3350

Rpm

Characteristics for: system 4 and 5 in direct drive motor with 2/4/6/8 poles depending on the model.

Characteristic curves

CAMD 630



LARGE SERIES

Flow margin ±5%
 Noise level margin + 3... 5 dB
 Margin of kW absorbed ±3%

Outlet characteristics.

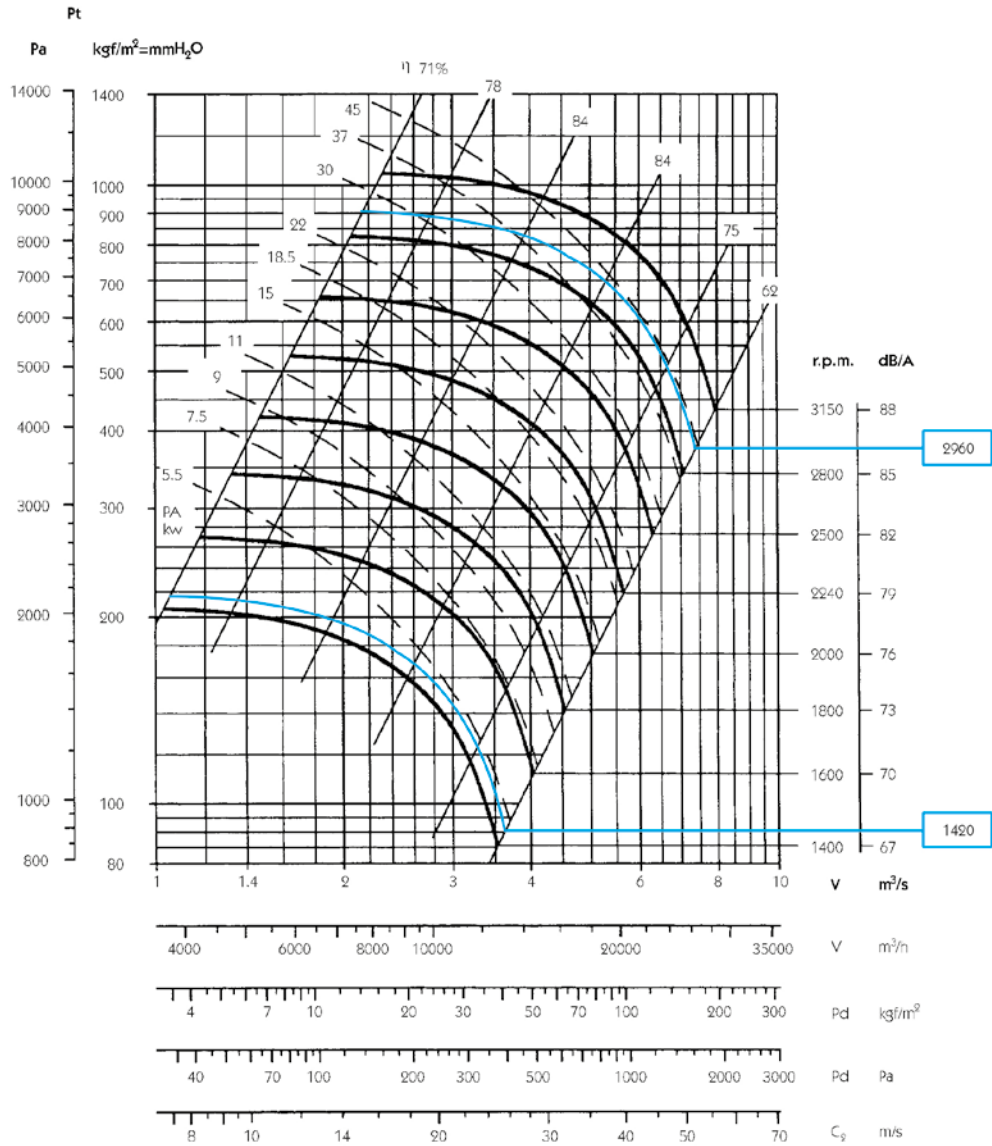
Maximum admissible Rpm

Class 1	
≤ 100 °C	3750
100... 200 °C	3350
200... 300 °C	3000

Rpm Characteristics for: system 4 and 5 in direct drive motor with 2/4/6/8 poles depending on the model.

Characteristic curves

CAMD 710



Flow margin $\pm 5\%$
 Noise level margin + 3... 5 dB
 Margin of kW absorbed $\pm 3\%$

Outlet characteristics.

Maximum admissible Rpm

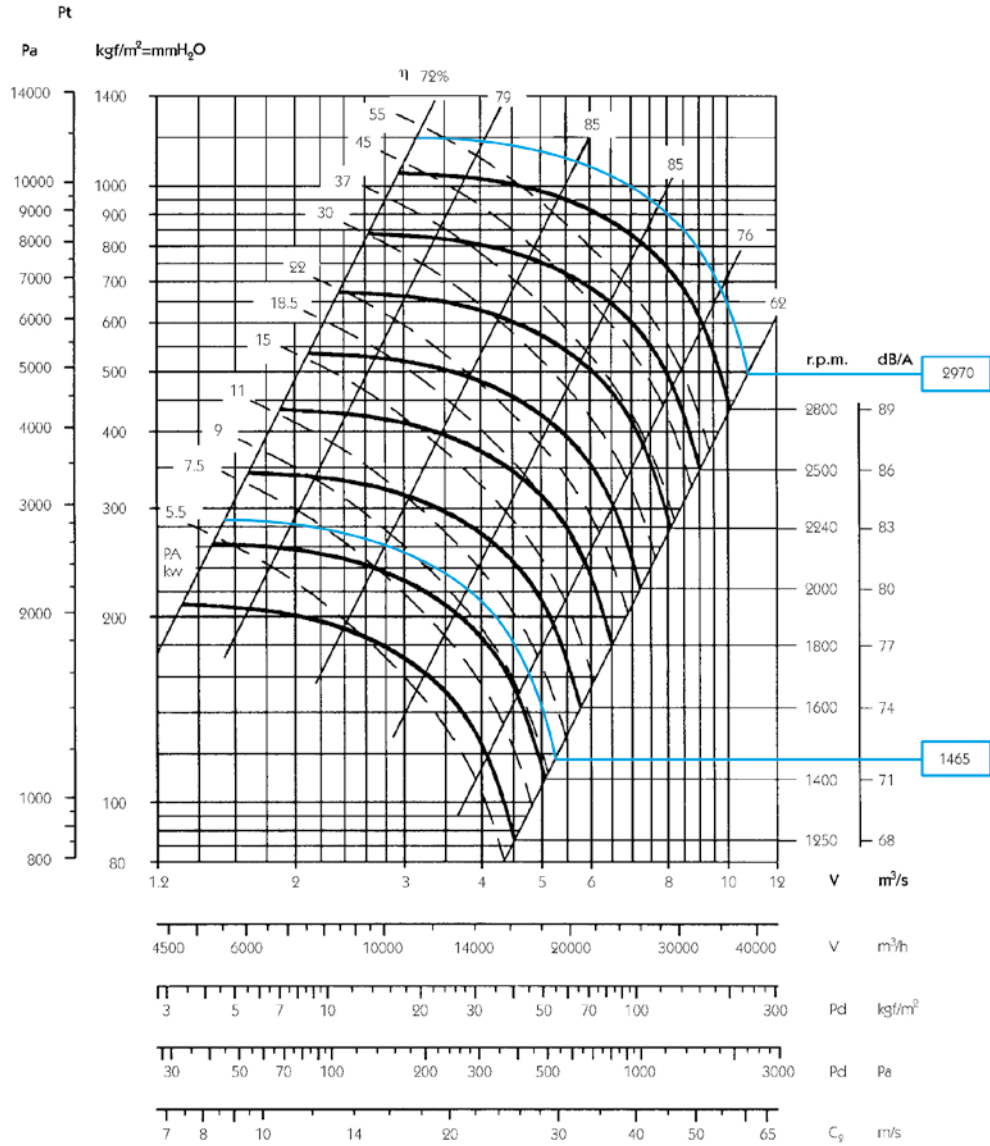
Class 1	
$\leq 100^\circ\text{C}$	3350
100... 200 $^\circ\text{C}$	3000
200... 300 $^\circ\text{C}$	2650

Rpm

Characteristics for: system 4 and 5 in direct drive motor with 2/4/6/8 poles depending on the model.

Characteristic curves

CAMD 800



LARGE SERIES

Flow margin $\pm 5\%$
 Noise level margin + 3... 5 dB
 Margin of kW absorbed $\pm 3\%$

Outlet characteristics.

Maximum admissible Rpm

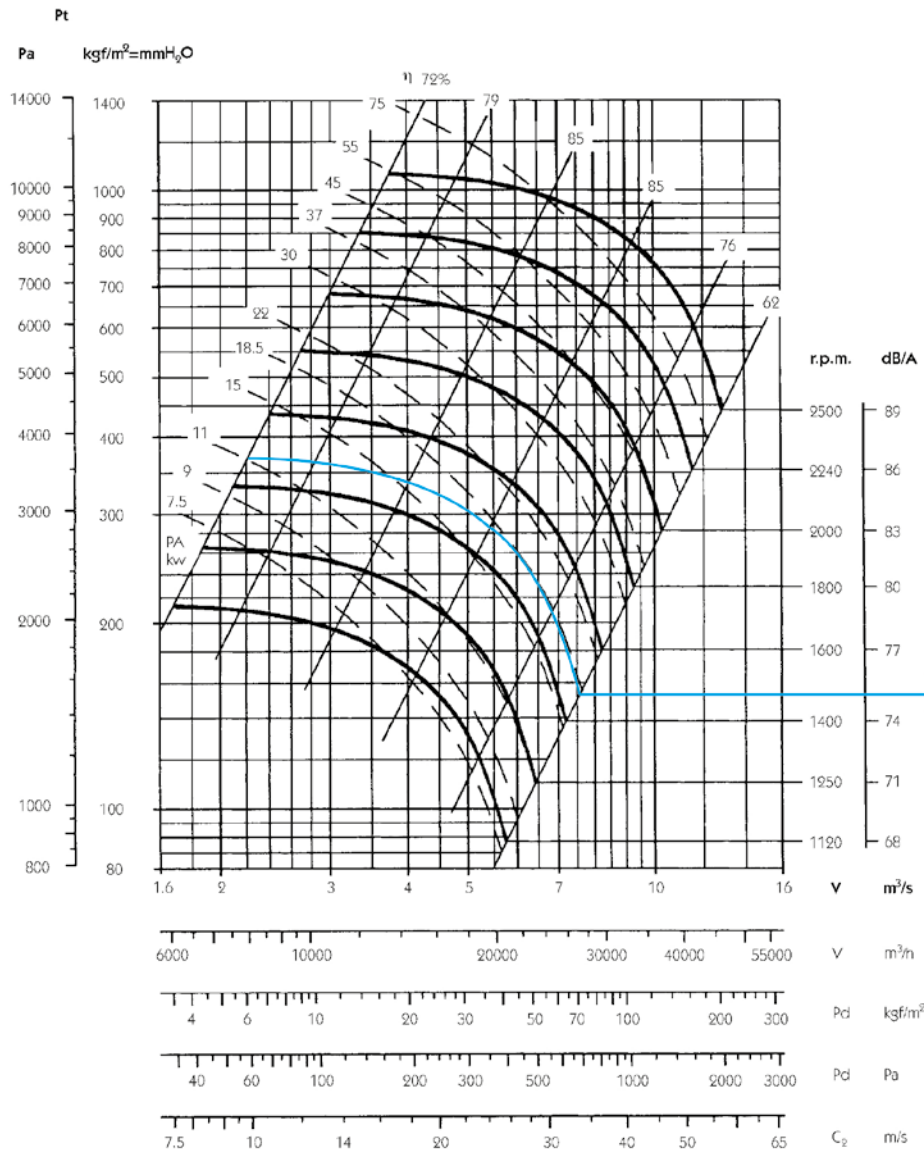
Class 1	
$\leq 100^\circ\text{C}$	3000
100... 200 $^\circ\text{C}$	2650
200... 300 $^\circ\text{C}$	2360

Rpm

Characteristics for: system 4 and 5 in direct drive motor with 2/4/6/8 poles depending on the model.

Characteristic curves

CAMD 900



Flow margin ±5%
 Noise level margin + 3... 5 dB
 Margin of kW absorbed ±3%

Outlet characteristics.

Maximum admissible Rpm

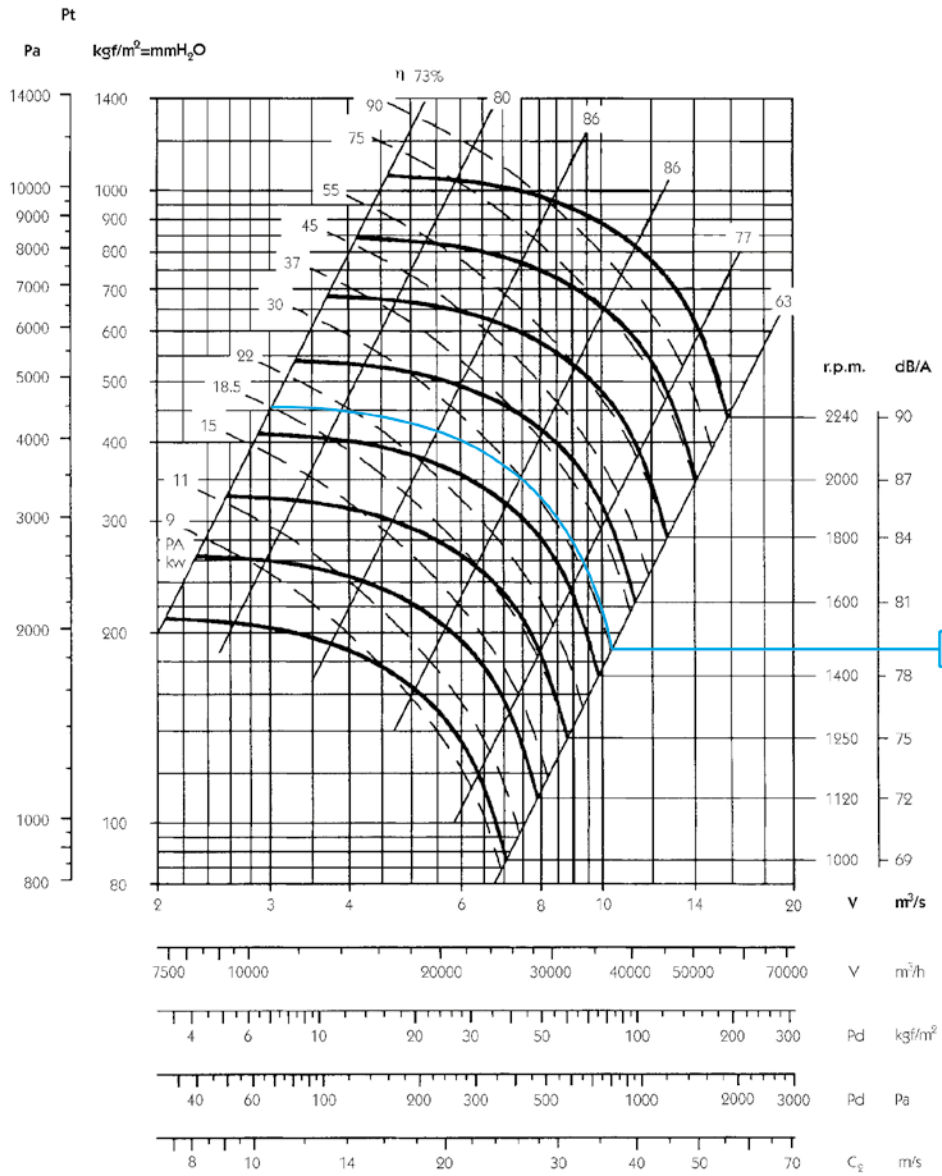
Class 1	
≤ 100 °C	2650
100... 200 °C	2360
200... 300 °C	2120

Rpm

Characteristics for: system 4 and 5 in direct drive motor with 2/4/6/8 poles depending on the model.

Characteristic curves

CAMD 1000



LARGE SERIES

Flow margin $\pm 5\%$
 Noise level margin + 3... 5 dB
 Margin of kW absorbed $\pm 3\%$

Outlet characteristics.

Maximum admissible Rpm

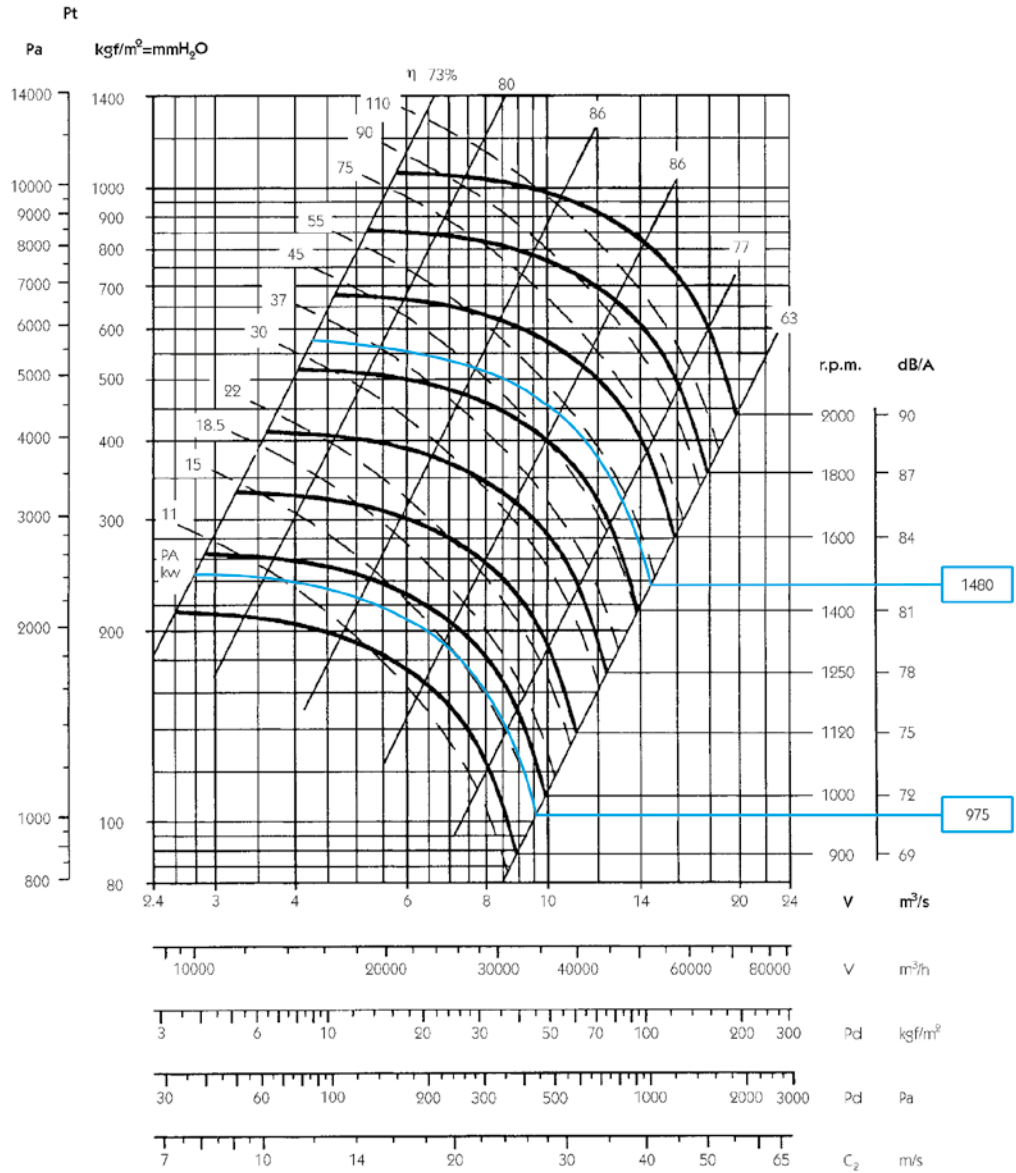
Class 1	
$\leq 100^\circ\text{C}$	2360
100... 200 $^\circ\text{C}$	2120
200... 300 $^\circ\text{C}$	1900

Rpm

Characteristics for: system 4 and 5 in direct drive motor with 2/4/6/8 poles depending on the model.

Characteristic curves

CAMD 1120



Flow margin ±5%
 Noise level margin + 3... 5 dB
 Margin of kW absorbed ±3%

Outlet characteristics.

Maximum admissible Rpm

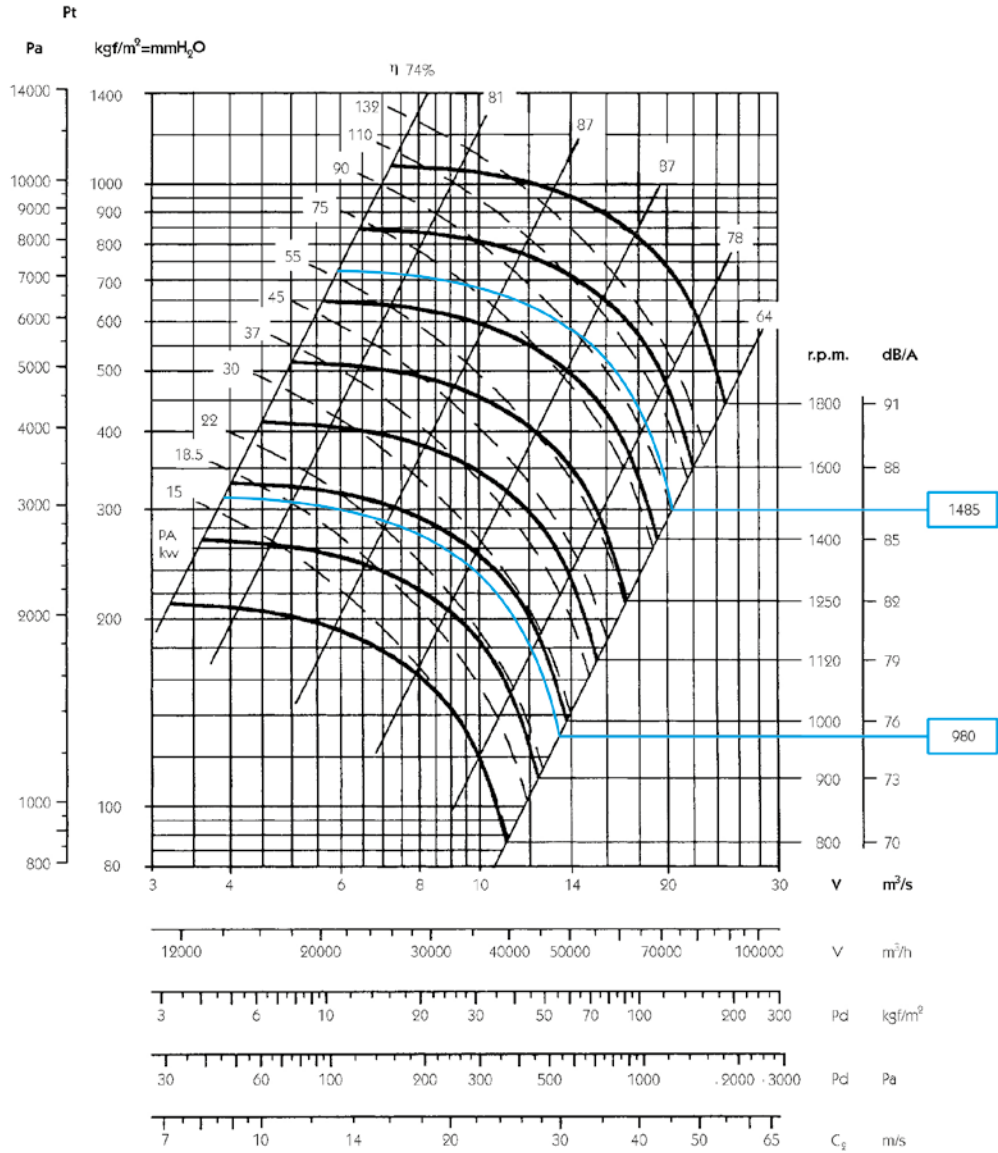
Class 1	
≤ 100 °C	2120
100... 200 °C	1900
200... 300 °C	1700

Rpm

Characteristics for: system 4 and 5 in direct drive motor with 2/4/6/8 poles depending on the model.

Characteristic curves

CAMD 1250



LARGE SERIES

Flow margin ±5%
 Noise level margin + 3... 5 dB
 Margin of kW absorbed ±3%

Outlet characteristics.

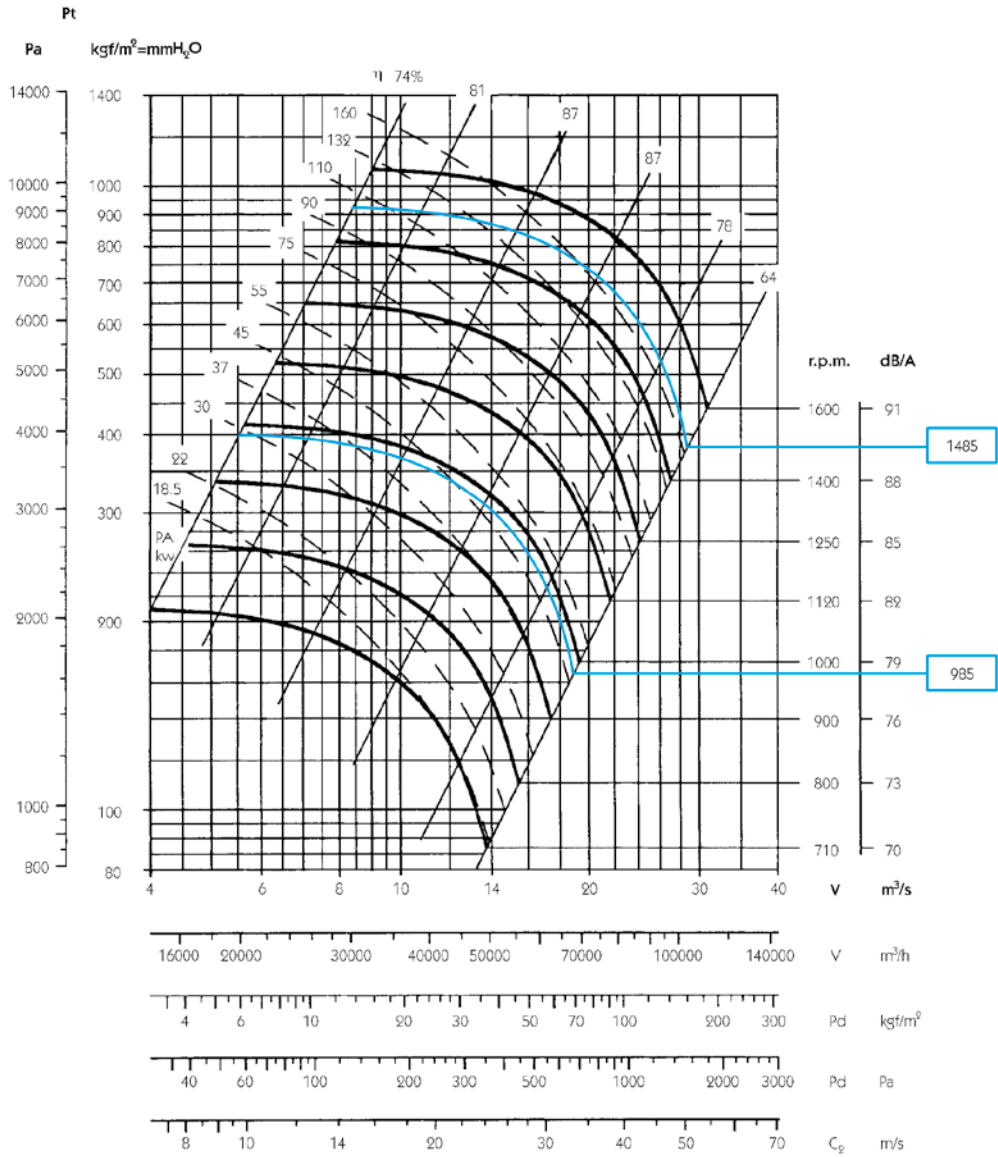
Maximum admissible Rpm

Class 1	
≤ 100 °C	1900
100... 200 °C	1700
200... 300 °C	1500

Rpm Characteristics for: system 4 and 5 in direct drive motor with 2/4/6/8 poles depending on the model.

Characteristic curves

CAMD 1400



Flow margin ±5%
 Noise level margin + 3... 5 dB
 Margin of kW absorbed ±3%

Outlet characteristics.

Maximum admissible Rpm

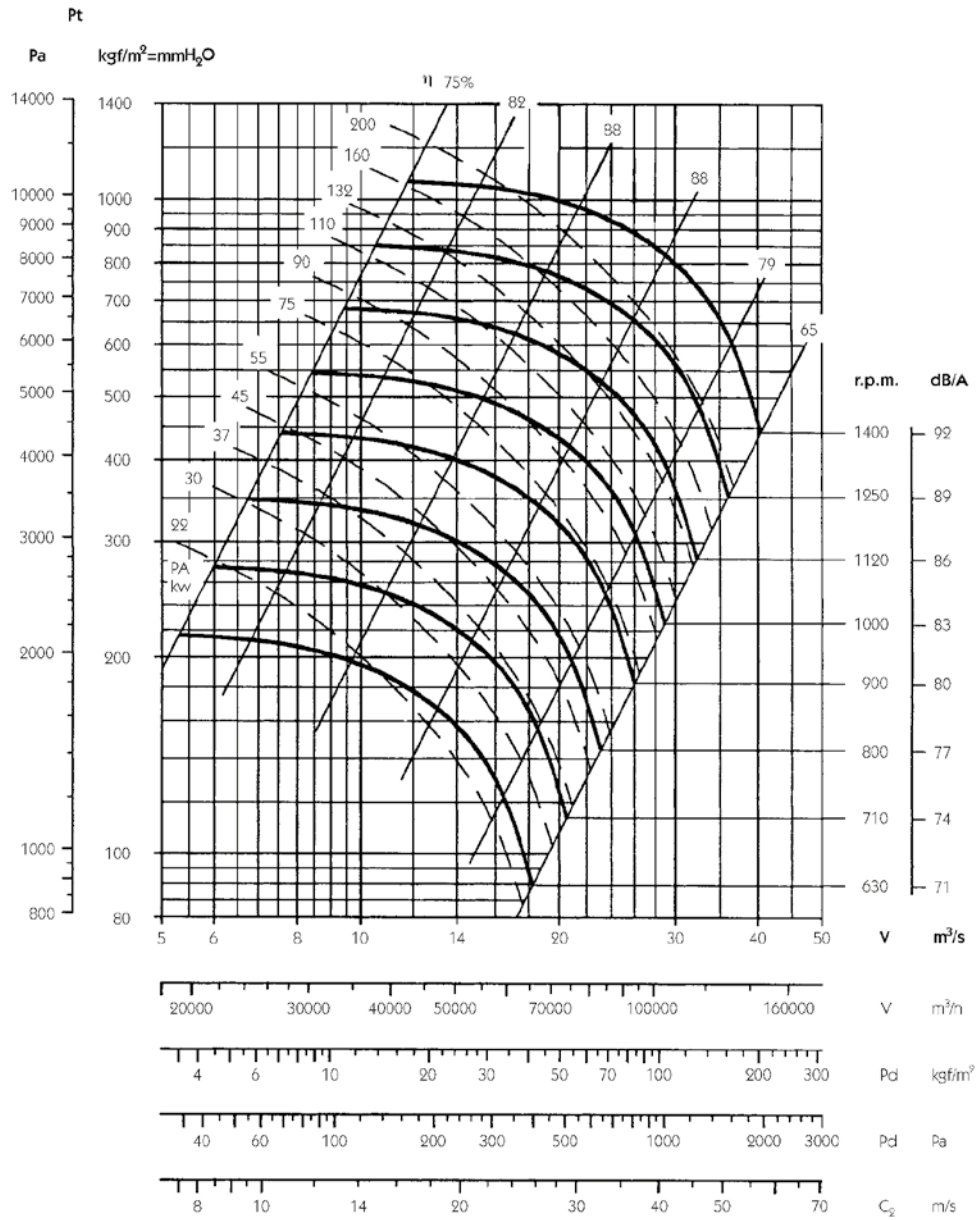
Class 1	
≤ 100 °C	1700
100... 200 °C	1500
200... 300 °C	1320

Rpm

Characteristics for: system 4 and 5 in direct drive motor with 2/4/6/8 poles depending on the model.

Characteristic curves

CAMD 1600



LARGE SERIES

Flow margin ±5%
 Noise level margin + 3... 5 dB
 Margin of kW absorbed ±3%

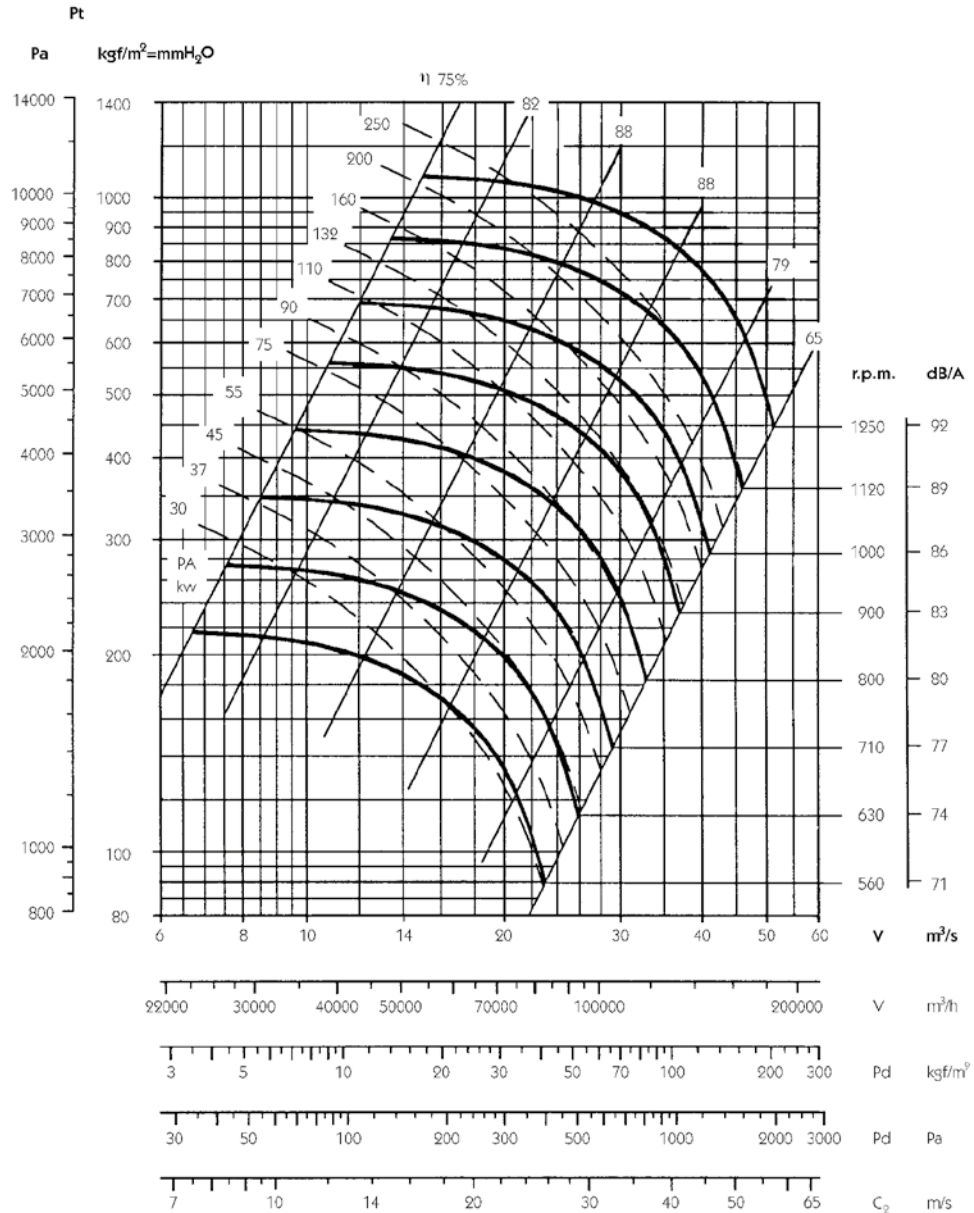
Outlet characteristics.

Maximum admissible Rpm

Class 1	
≤ 100 °C	1500
100... 200 °C	1320
200... 300 °C	1180

Characteristic curves

CAMD 1800



Flow margin ±5%
 Noise level margin + 3... 5 dB
 Margin of kW absorbed ±3%

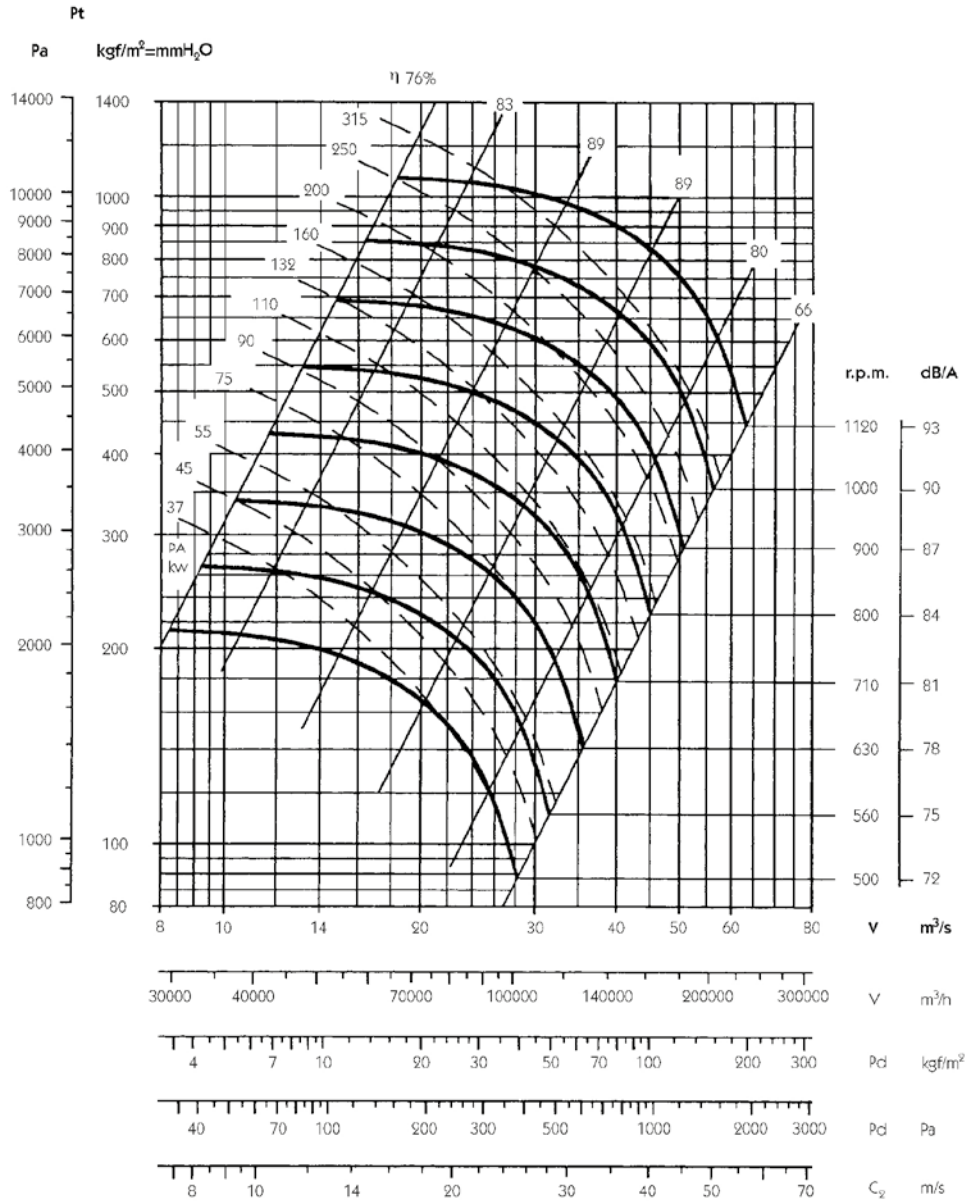
Outlet characteristics.

Maximum admissible Rpm

Class 1	
≤ 100 °C	1320
100... 200 °C	1180
200... 300 °C	1060

Characteristic curves

CAMD 2000



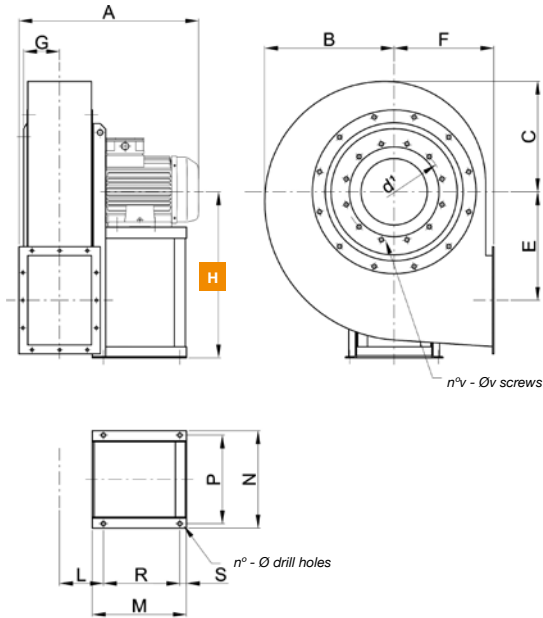
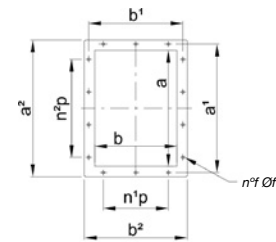
LARGE SERIES

Flow margin $\pm 5\%$
 Noise level margin + 3... 5 dB
 Margin of kW absorbed $\pm 3\%$

Outlet characteristics.

Maximum admissible Rpm

Class 1	
$\leq 100^\circ\text{C}$	1180
100... 200 $^\circ\text{C}$	1060
200... 300 $^\circ\text{C}$	930

Dimensions mm
CAMD 400...500

OUTLET NOZZLE

ORIENTATIONS

H0	H1	H2	H3	H4	H5	H6	H7
RD0	RD45	RD90	RD135	RD180	RD225	RD270	RD315
LG0	LG45	LG90	LG135	LG180	LG225	LG270	LG315

H *The measurement of height H (distance between the ground and the axis) varies depending on the orientations

MOD.	FRAME	A*	B	C	E	F	G	HO-1-2-3	H4-5	H6-7	L	M*	N	P	R*	S	n°
CAMD 400/B	90 L/2	515	390	330	319	285	103	500	285	500	145	215	269	245	140	25	4
CAMD 400/A	100 LA/2	545	390	330	319	285	103	500	285	500	145	260	312	280	185	25	4
CAMD 450/B	112 M/2	570	415	355	357	320	114	560	320	560	156	260	312	280	185	25	4
CAMD 450/A	132 SA/2	660	415	355	357	320	114	560	320	560	156	320	342	310	245	25	4
CAMD 500/B	132 SB/2	635	470	400	400	360	129	600	360	600	168	320	342	310	245	25	4
CAMD 500/A	160 MA/2	755	470	400	400	360	129	600	360	600	168	425	440	400	345	30	4

OUTLET NOZZLE

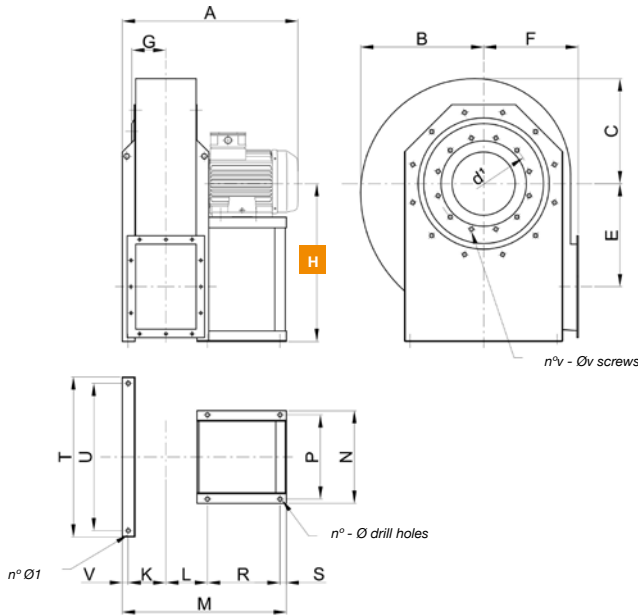
MOD.	Φ	d ¹	n°v	Φv	a	b	a ¹	b ¹	a ²	b ²	n ¹ p	n ² p	n ¹ f	Φf	kg	WD ²
CAMD 400/B	10	292	8	M8	256	183	292	219	326	253	1-112	2-112	10	12	70	0.6
CAMD 400/A	12	292	8	M8	256	183	292	219	326	253	1-112	2-112	10	12	80	0.7
CAMD 450/B	12	332	8	M8	288	205	332	249	368	285	1-125	2-125	10	12	100	1
CAMD 450/A	12	332	8	M8	288	205	332	249	368	285	1-125	2-125	10	12	115	1.1
CAMD 500/B	12	366	8	M8	322	229	366	273	402	309	1-125	2-125	10	12	140	2
CAMD 500/A	14	366	8	M8	322	229	366	273	402	309	1-125	2-125	10	12	200	2.4

(*) For "HIGH TEMP." constructions, elevations "A-M-R" + 50 mm.
(kg) Weight of fan with motor.
WD² = Moment of inertia of the impeller, expressed in Kg x m²

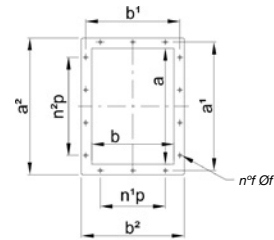
Dimensions mm

SYSTEM
4

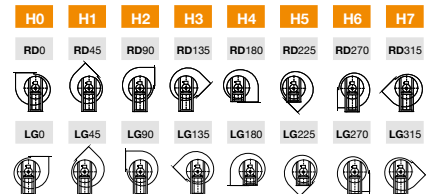
CAMD 560...630



OUTLET NOZZLE



ORIENTATIONS



H *The measurement of height H (distance between the ground and the axis) varies depending on the orientations

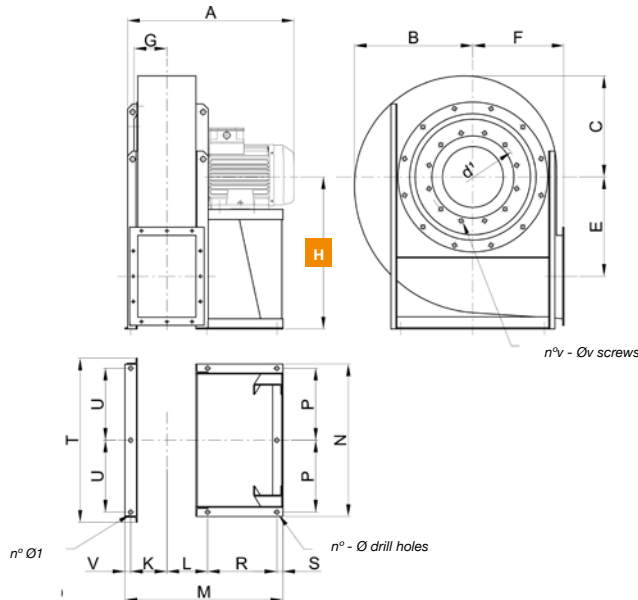
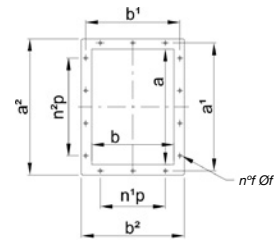
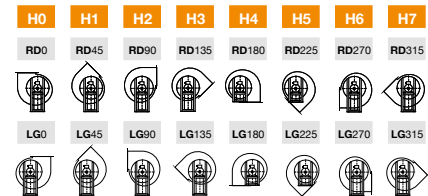
MOD.	FRAME	A*	B	C	E	F	G	HO-1-2-3	H4-5	H6-7	L	K	M*	N	P	R*	S	T
CAMD 560/B	160 CAMA/2	805	525	445	436	400	144	670	400	670	181	165	744	440	400	345	30	690
CAMD 560/A	160 CASB/2	805	525	445	436	400	144	670	400	670	181	165	744	440	400	345	30	690
CAMD 560/B	90 L/4	615	525	445	436	400	144	670	400	670	181	165	534	269	245	140	25	690
CAMD 560/A	100 LA/4	645	525	445	436	400	144	670	400	670	181	165	579	312	280	185	25	690
CAMD 630/B	160 L/2	915	590	505	490	450	158	750	450	750	197	179	775	440	400	345	30	760
CAMD 630/A	200 LA/2	1015	590	505	490	450	158	750	450	750	227	179	890	558	515	420	40	760
CAMD 630/B	100 LB/4	675	590	505	490	450	158	750	450	750	197	179	610	312	280	185	25	760
CAMD 630/A	112 M/4	675	590	505	490	450	158	750	450	750	197	179	610	312	280	185	25	760

OUTLET NOZZLE

MOD.	U	V	n°	Φ	Φ'	d'	n°v	Φv	a	b	a'	b'	a²	b²	n°p	n°p'	n°f	Φf	kg	WD²
CAMD 560/B	630	23	4+2	14	17	405	8	M8	361	256	405	300	441	336	1-125	2-125	10	12	220	3
CAMD 560/A	630	23	4+2	14	17	405	8	M8	361	256	405	300	441	336	1-125	2-125	10	12	235	3.4
CAMD 560/B	630	23	4+2	10	17	405	8	M8	361	256	405	300	441	336	1-125	2-125	10	12	130	3
CAMD 560/A	630	23	4+2	12	17	405	8	M8	361	256	405	300	441	336	1-125	2-125	10	12	140	3.4
CAMD 630/B	700	23	4+2	14	17	448	12	M8	404	288	448	332	484	368	2-125	3-125	14	12	300	4.4
CAMD 630/A	700	23	4+2	19	17	448	12	M8	404	288	448	332	484	368	2-125	3-125	14	12	350	5.8
CAMD 630/B	700	23	4+2	12	17	448	12	M8	404	288	448	332	484	368	2-125	3-125	14	12	140	4.4
CAMD 630/A	700	23	4+2	12	17	448	12	M8	404	288	448	332	484	368	2-125	3-125	14	12	150	5.8

*For "HIGH TEMP." constructions, elevations "A-M-R" + 50 mm.
(kg) Weight of fan with motor.
WD² = Moment of inertia of the impeller, expressed in Kg x m²

LARGE SERIES

Dimensions mm
CAMD 710...1400

OUTLET NOZZLE

ORIENTATIONS


H *The measurement of height H (distance between the ground and the axis) varies depending on the orientations

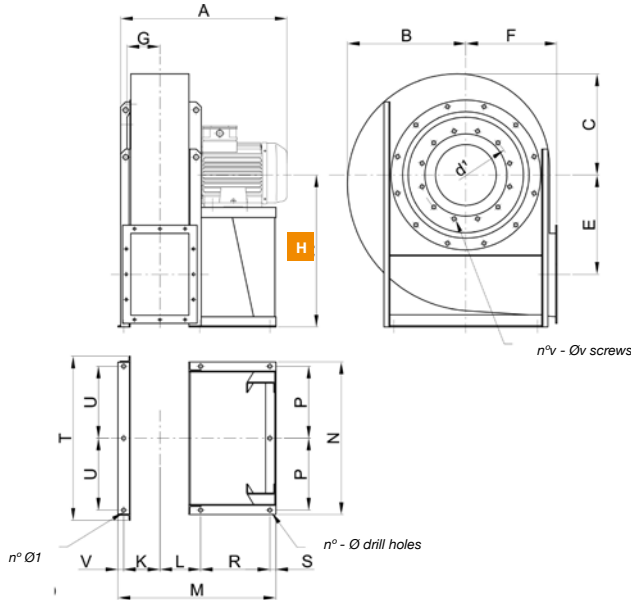
MOD.	FRAME	A*	B	C	E	F	G	HO-1-2-3	H4-5	H6-7	L	K	M*	N	P	R*	S	T
CAMD 710/B	200 LB/2	1055	670	570	558	500	179	670	500	850	210	202	931	831	385	450	40	920
CAMD 710/A	225 M/2	1105	670	570	558	500	179	670	500	850	210	202	941	831	385	460	40	920
CAMD 710/B	112 M/4	715	670	570	558	500	179	670	500	850	210	202	951	831	385	170	40	920
CAMD 710/A	132 S/4	805	670	570	558	500	179	670	500	850	210	202	711	831	385	230	40	920
CAMD 800/B	280 S/2	1345	745	635	625	560	199	750	560	950	230	221	1170	921	430	650	40	1000
CAMD 800/A	280 M/2	1345	745	635	625	560	199	750	560	950	230	221	1170	921	430	650	40	1000
CAMD 800/B	132 MA/4	870	745	635	625	560	199	750	560	950	230	221	750	921	430	230	40	1000
CAMD 800/A	160 M/4	915	745	635	625	560	199	750	560	950	230	221	855	921	430	335	40	1000
CAMD 900/B	315 MA/2	1510	835	710	703	630	221	850	630	1060	251	246	1273	1021	480	710	40	1100
CAMD 900/A	315 MB/2	1510	835	710	703	630	221	850	630	1060	251	246	1273	1021	480	710	40	1100
CAMD 900/B	160 L/4	1040	835	710	703	630	221	850	630	1060	251	246	898	1021	480	335	40	1100
CAMD 900/A	180 L/4	1080	835	710	703	630	221	850	630	1060	251	246	943	1021	480	380	40	1100
CAMD 900/B	132 MA/6	915	835	710	703	630	221	850	630	1060	251	246	793	1021	480	230	40	1100
CAMD 900/A	132 MB/6	915	835	710	703	630	221	850	630	1060	251	246	793	1021	480	230	40	1100
CAMD 1000/B	200 L/4	1195	930	795	791	710	242	950	710	1180	276	265	1072	1120	530	440	50	1230
CAMD 1000/A	225 S/4	1245	930	795	791	710	242	950	710	1180	276	265	1082	1120	530	450	50	1230
CAMD 1000/B	160 M/6	1015	930	795	791	710	242	950	710	1180	276	265	957	1120	530	325	50	1230
CAMD 1000/A	160 L/6	1095	930	795	791	710	242	950	710	1180	276	265	957	1120	530	325	50	1230
CAMD 1120/B	225 M/4	1320	1045	895	891	800	272	1060	800	1320	333	299	1156	1260	590	420	50	1370
CAMD 1120/A	250 M/4	1395	1045	895	891	800	272	1060	800	1320	333	299	1226	1260	590	490	50	1370
CAMD 1120/B	180 L/6	1210	1045	895	891	800	272	1060	800	1320	333	299	1076	1260	590	340	50	1370
CAMD 1120/A	200 LA/6	1270	1045	895	891	800	272	1060	800	1320	333	299	1146	1260	590	410	50	1370
CAMD 1250/B	280 S/4	1585	1175	1005	1003	900	287	1180	900	1500	364	330	1408	1390	655	610	50	1540
CAMD 1250/A	315 S/4	1605	1175	1005	1003	900	287	1180	900	1500	364	330	1468	1390	655	670	50	1540
CAMD 1250/B	200 LB/4	1335	1175	1005	1003	900	287	1180	900	1500	364	330	1208	1390	655	410	50	1540
CAMD 1250/A	225 M/6	1385	1175	1005	1003	900	287	1180	900	1500	364	330	1218	1390	655	420	50	1540
CAMD 1400/B	315 MA/4	1770	1305	1115	1116	1000	322	1320	1000	1700	418	365	1537	1530	725	640	60	1690
CAMD 1400/A	315 MC/4	1770	1305	1115	1116	1000	322	1320	1000	1700	418	365	1537	1530	725	640	60	1690
CAMD 1400/B	250 M/6	1525	1305	1115	1116	1000	322	1320	1000	1700	418	365	1357	1530	725	460	60	1690
CAMD 1400/A	280 M/6	1650	1305	1115	1116	1000	322	1320	1000	1700	418	365	1477	1530	725	580	60	1690

*For "HIGH TEMP." constructions, elevations "A-M-R" + 50 mm.
 (kg) Weight of fan with motor.
 WD² = Moment of inertia of the impeller, expressed in Kg x m²

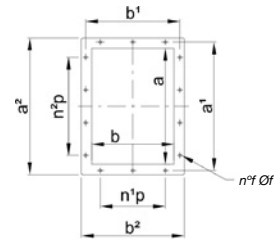
Dimensions mm

SYSTEM
4

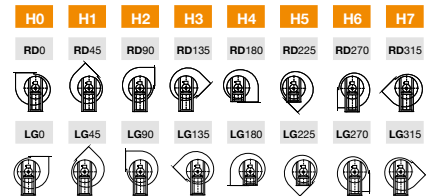
CAMD 710...1400



OUTLET NOZZLE



ORIENTATIONS



H *The measurement of height H (distance between the ground and the axis) varies depending on the orientations

OUTLET NOZZLE

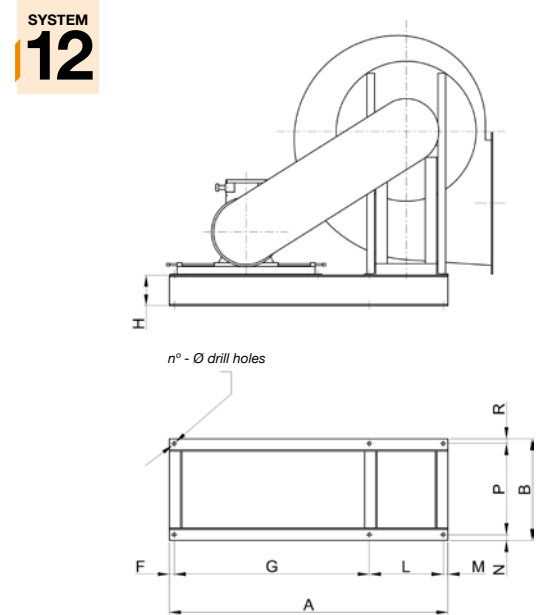
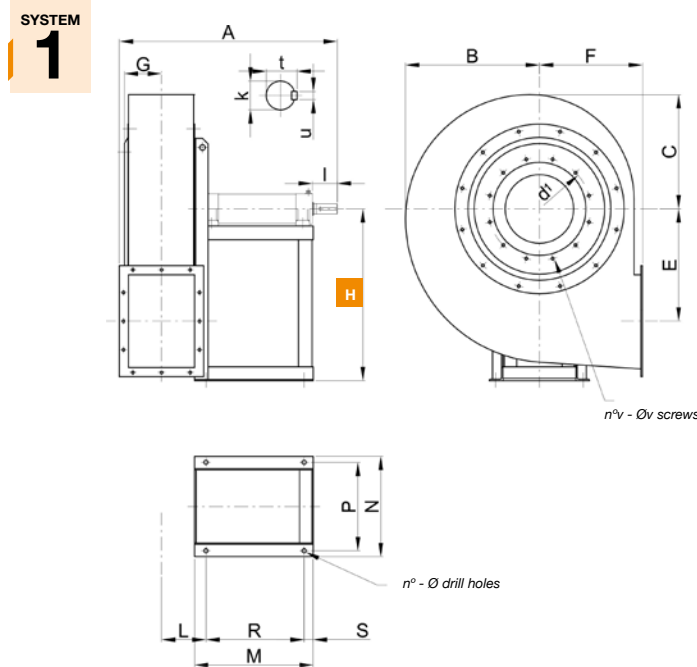
MOD.	U	V	n°	Φ	Φ¹	d¹	n°v	Φv	a	b	a¹	b¹	a²	b²	n¹p	n²p	n¹f	Φf	kg	WD²
CAMD 710/B	385	29	5+3	19	19	497	12	M8	453	322	497	366	533	402	2-125	3-125	14	12	440	8
CAMD 710/A	385	29	5+3	19	19	497	12	M8	453	322	497	366	533	402	2-125	3-125	14	12	480	9.8
CAMD 710/B	385	29	5+3	19	19	497	12	M8	453	322	497	366	533	402	2-125	3-125	14	12	250	9.8
CAMD 710/A	385	29	5+3	19	19	497	12	M8	453	322	497	366	533	402	2-125	3-125	14	12	260	9.8
CAMD 800/B	430	29	5+3	19	19	551	12	M8	507	361	551	405	587	441	2-125	3-125	14	12	600	15
CAMD 800/A	430	29	5+3	19	19	551	12	M8	507	361	551	405	587	441	2-125	3-125	14	12	690	17.3
CAMD 800/B	430	29	5+3	19	19	551	12	M8	507	361	551	405	587	441	2-125	3-125	14	12	335	15
CAMD 800/A	430	29	5+3	19	19	551	12	M8	507	361	551	405	587	441	2-125	3-125	14	12	390	17.3
CAMD 900/B	480	26	5+3	19	19	629	12	M8	569	404	629	464	669	504	2-160	3-160	14	14	940	24
CAMD 900/A	480	26	5+3	19	19	629	12	M8	569	404	629	464	669	504	2-160	3-160	14	14	960	27.5
CAMD 900/B	480	26	5+3	19	19	629	12	M8	569	404	629	464	669	504	2-160	3-160	14	14	480	24
CAMD 900/A	480	26	5+3	19	19	629	12	M8	569	404	629	464	669	504	2-160	3-160	14	14	530	27.5
CAMD 900/B	480	26	5+3	19	19	629	12	M8	569	404	629	464	669	504	2-160	3-160	14	14	390	24
CAMD 900/A	480	26	5+3	19	19	629	12	M8	569	404	629	464	669	504	2-160	3-160	14	14	400	27.5
CAMD 1000/B	530	41	5+3	19	19	698	12	M8	638	453	698	513	738	553	2-160	3-160	14	14	660	40
CAMD 1000/A	530	41	5+3	19	19	698	12	M8	638	453	698	513	738	553	2-160	3-160	14	14	700	50
CAMD 1000/B	530	41	5+3	19	19	698	12	M8	638	453	698	513	738	553	2-160	3-160	14	14	560	40
CAMD 1000/A	530	41	5+3	19	19	698	12	M8	638	453	698	513	738	553	2-160	3-160	14	14	590	50
CAMD 1120/B	590	54	5+3	24	24	775	16	M10	715	507	775	567	815	607	2-160	4-160	16	14	980	70
CAMD 1120/A	590	54	5+3	24	24	775	16	M10	715	507	775	567	815	607	2-160	4-160	16	14	1050	88
CAMD 1120/B	590	54	5+3	24	24	775	16	M10	715	507	775	567	815	607	2-160	4-160	16	14	820	70
CAMD 1120/A	590	54	5+3	24	24	775	16	M10	715	507	775	567	815	607	2-160	4-160	16	14	900	88
CAMD 1250/B	655	54	5+3	24	24	861	16	M10	801	569	871	639	921	889	2-200	3-200	14	14	1350	120
CAMD 1250/A	655	54	5+3	24	24	861	16	M10	801	569	871	639	921	889	2-200	3-200	14	14	1400	148
CAMD 1250/B	655	54	5+3	24	24	861	16	M10	801	569	871	639	921	889	2-200	3-200	14	14	1100	120
CAMD 1250/A	655	54	5+3	24	24	861	16	M10	801	569	871	639	921	889	2-200	3-200	14	14	1180	148
CAMD 1400/B	725	54	5+3	24	24	958	16	M10	898	638	968	708	1018	758	3-200	4-200	18	14	1930	200
CAMD 1400/A	725	54	5+3	24	24	958	16	M10	898	638	968	708	1018	758	3-200	4-200	18	14	2010	250
CAMD 1400/B	725	54	5+3	24	24	958	16	M10	898	638	968	708	1018	758	3-200	4-200	18	14	1620	200
CAMD 1400/A	725	54	5+3	24	24	958	16	M10	898	638	968	708	1018	758	3-200	4-200	18	14	1740	250

*For "HIGH TEMP." constructions, elevations "A-M-R" + 50 mm.
(kg) Weight of fan with motor.
WD² = Moment of inertia of the impeller, expressed in Kg x m²

LARGE SERIES

Dimensions mm

CAMD-X 400...500



MOD.	A*	B	C	E	F	G	H0	H1	H2	H3	H4	H5
CAMD 400	880	390	330	319	285	103	500	500	500	500	285	285
CAMD 450	905	415	355	357	320	114	560	560	560	560	320	320
CAMD 500	940	490	410	400	360	129	600	600	600	600	360	360

MOD.	A	B*	H	F	G	L	M	N	P*
CAMD 400	1020	530	120	20	650	330	20	25	480
CAMD 450	1175	530	120	25	800	330	20	25	480
CAMD 500	1265	495	160	25	830	385	25	30	430

MOD.	H6	H7	L	M*	N	P	R*	S	n°	Φ	k	l
CAMD 400	500	500	145	560	370	330	480	30	4	14	38k6	80
CAMD 450	560	560	156	560	370	330	480	30	4	14	38k6	80
CAMD 500	600	600	168	520	438	385	430	40	4	17	42k6	110

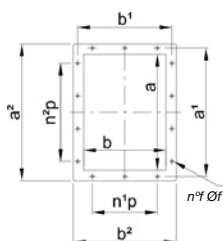
MOD.	R	N°	Φ	kg
CAMD 400	25	6	14	50
CAMD 450	25	6	14	55
CAMD 500	35	6	17	76

MOD.	t	u	d ¹	n°v	Φv	kg	WD ²
CAMD 400	41	10	292	8	M8	80	0.7
CAMD 450	41	10	232	8	M8	90	1.1
CAMD 500	45	12	366	8	M8	130	2.4

(*) For "HIGH TEMP." constructions in models 400 to 500, elevations "B-P" + 50 mm.
Kg = Weight of the support base

(*) For "HIGH TEMP." constructions in models 400 to 500, elevations "A-M-R" + 50 mm.
kg = Weight of fan without motor.
WD² = Moment of inertia of the impeller, expressed in Kg x m²

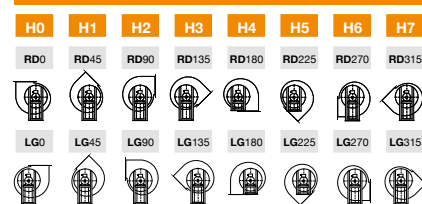
OUTLET NOZZLE



OUTLET NOZZLE

MOD.	a	b	a¹	b¹	a²	b²	n¹p	n²p	n¹f	Φf
CAMD 400	256	183	292	219	326	253	1-112	2-112	10	12
CAMD 450	288	205	332	249	368	285	1-125	2-125	10	12
CAMD 500	322	229	366	273	402	309	1-125	2-125	10	12

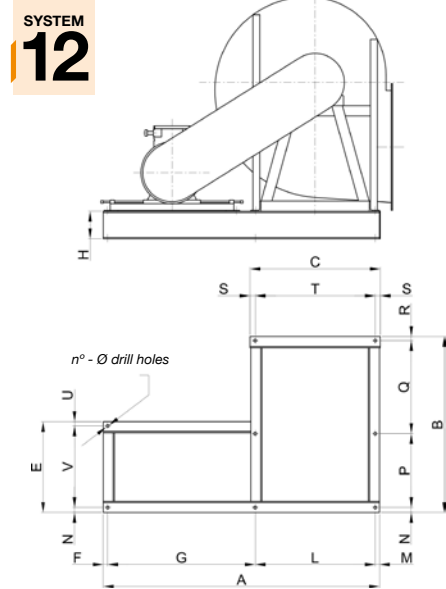
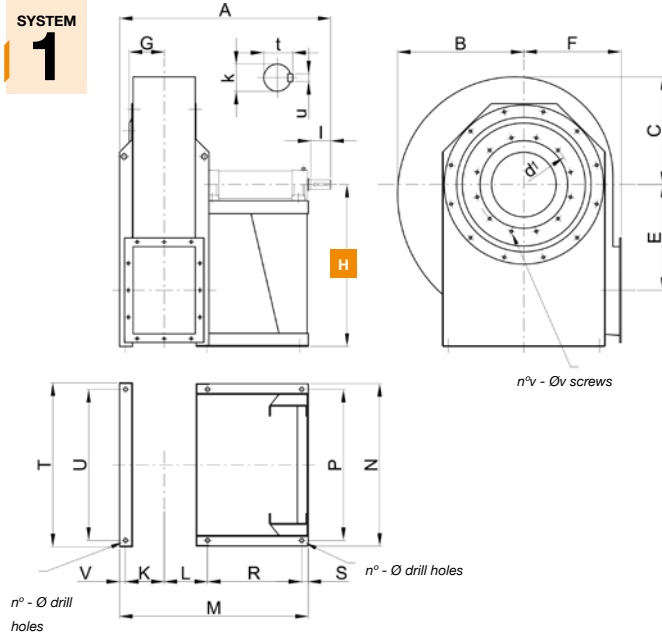
ORIENTATIONS



H The measurement of height H (distance between the ground and the axis) varies depending on the orientations

Dimensions mm

CAMD-X 560...630



MOD.	A*	B	C	E	F	G	H0	H1	H2	H3	H4	H5
CAMD 560	990	525	445	436	400	144	670	670	670	670	400	400
CAMD 630	1020	590	505	490	450	158	750	750	750	750	450	450

MOD.	A	B*	C	E	H	F	G	L	M	N	P*
CAMD 560	1415	829	690	510	160	25	735	630	25	30	430
CAMD 630	1610	859	760	530	160	25	860	700	25	30	430

MOD.	H6	H7	L	K	M*	N	P	R*	S	T	U	V
CAMD 560	670	670	181	165	839	683	630	430	40	690	630	23
CAMD 630	750	750	197	179	869	753	700	430	40	760	700	23

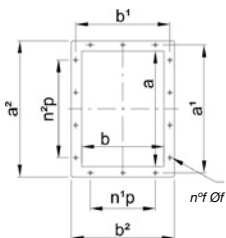
MOD.	Q	R	S	T	U	V	N°	Φ	kg
CAMD 560	346	23	30	630	25	455	8	17	102
CAMD 630	376	23	30	700	25	475	8	17	112

MOD.	n°	Φ	k	l	t	u	d ¹	n°v	Φv	kg	WD ²
CAMD 560	4+2	17	48k6	110	51.5	14	405	8	M8	170	3.4
CAMD 630	4+2	17	48k6	110	51.5	14	448	12	M8	200	5.8

(*) For "HIGH TEMP." constructions in models 560 to 630, elevations "B-P" + 50 mm.
kg = Weight of the support base

(*) For "HIGH TEMP." constructions in models 560 to 630, elevations "A-M-R" + 50 mm.
kg = Weight of fan without motor.
WD² = Moment of inertia of the impeller, expressed in Kg x m²

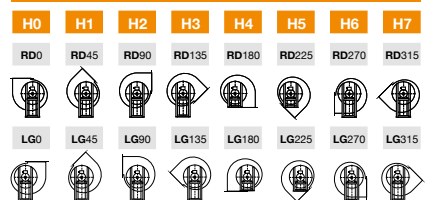
OUTLET NOZZLE



OUTLET NOZZLE

MOD.	a	b	a ¹	b ¹	a ²	b ²	n ¹ p	n ² p	n ¹ f	Φf
CAMD 560	361	256	405	300	441	336	1-125	2-125	10	12
CAMD 630	404	288	448	332	484	368	2-125	3-125	14	12

ORIENTATIONS

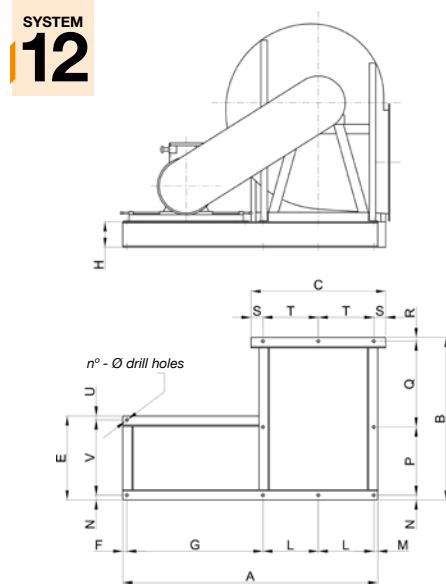
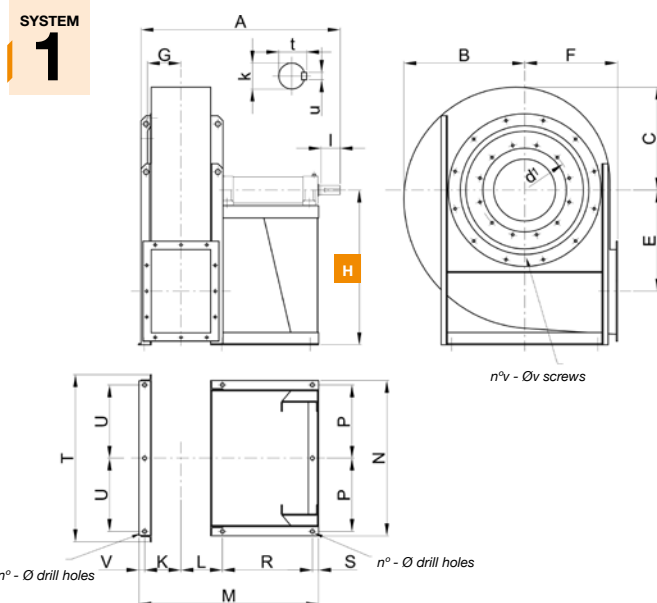


H The measurement of height H (distance between the ground and the axis) varies depending on the orientations

LARGE SERIES

Dimensions mm

CAMD-X 710...2000



MOD.	A*	B	C	E	F	G	H0	H1	H2	H3	H4	H5
CAMD 710	1150	670	570	558	500	179	670	670	670	670	500	500
CAMD 800	1240	745	635	625	560	199	750	750	750	750	560	560
CAMD 900	1290	835	710	703	630	221	850	850	850	850	630	630
CAMD 1000	1430	930	795	791	710	242	950	950	950	950	710	710
CAMD 1120	1690	1045	895	891	800	272	1060	1060	1060	1060	800	800
CAMD 1250	1750	1175	1005	1003	900	287	1180	1180	1180	1180	900	900
CAMD 1400	1900	1305	1115	1116	1000	322	1320	1320	1320	1320	1000	1000
CAMD 1600	2165	1535	1245	1250	1120	360	1500	1500	1250	1250	1120	1120
CAMD 1800	2320	1705	1390	1395	1250	404	1650	1550	1400	1320	1250	1250
CAMD 2000	2420	1920	1555	1563	1400	453	1850	1700	1600	1450	1400	1400

MOD.	A	B*	C	E	H	F	G	L	M	N	P*
CAMD 710	1980	987	920	690	180	30	1150	385	30	30	515
CAMD 800	2070	1074	1000	690	180	30	1150	430	30	30	565
CAMD 900	2200	1121	1100	750	180	30	1180	480	30	30	565
CAMD 1000	2300	1213	1230	755	180	30	1180	530	30	35	605
CAMD 1120	2470	1461	1370	830	180	35	1220	590	35	35	760
CAMD 1250	2600	1521	1540	830	180	35	1220	655	35	35	760
CAMD 1400	3150	1631	1690	990	180	35	1630	725	35	35	780
CAMD 1600	3340	1880	1950	990	180	35	1630	820	35	35	920
CAMD 1800	3600	1979	2150	1100	180	35	1700	915	35	35	920
CAMD 2000	3800	2077	2390	1100	180	35	1700	1015	35	35	920

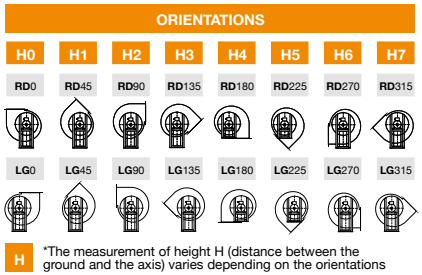
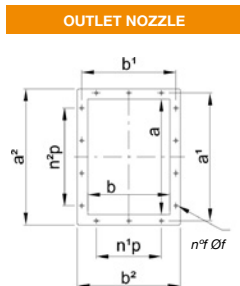
MOD.	H6	H7	L	K	M*	N	P	R*	S	T	U	V
CAMD 710	850	850	210	202	996	831	385	515	40	920	385	29
CAMD 800	950	950	230	221	1085	921	430	565	40	1000	430	29
CAMD 900	1060	1060	251	246	1128	1021	480	565	40	1100	480	26
CAMD 1000	1180	1180	276	265	1237	1120	530	605	50	1230	530	41
CAMD 1120	1320	1320	333	299	1496	1260	590	760	50	1370	590	54
CAMD 1250	1500	1500	364	330	1558	1390	655	760	50	1540	655	54
CAMD 1400	1700	1500	418	365	1677	1530	725	780	60	1690	725	54
CAMD 1600	1900	1600	477	413	1934	1720	820	920	60	1950	820	64
CAMD 1800	2120	1800	526	466	2020	1910	915	920	60	2150	915	54
CAMD 2000	2360	2000	568	515	2147	2110	1015	920	60	2390	1015	84

MOD.	Q	R	S	T	U	V	N°	Φ	kg
CAMD 710	412	30	75	385	30	630	10	19	165
CAMD 800	451	28	70	430	30	630	10	19	170
CAMD 900	497	29	70	480	30	690	10	19	182
CAMD 1000	541	32	85	530	30	690	10	19	255
CAMD 1120	632	34	95	590	35	760	10	24	285
CAMD 1250	694	32	115	655	35	760	10	24	300
CAMD 1400	783	33	120	725	35	920	10	24	350
CAMD 1600	890	35	155	820	35	920	10	28	380
CAMD 1800	986	38	160	915	35	1030	10	28	460
CAMD 2000	1083	39	180	1015	35	1030	10	28	485

MOD.	n°	Φ	k	l	t	u	d ¹	n°v	Φv	kg	WD ²
CAMD 710	5+3	19	48k6	110	51,5	14	497	12	M8	270	9,8
CAMD 800	5+3	19	55m6	110	59	16	551	12	M8	330	17,3
CAMD 900	5+3	19	55m6	110	59	16	629	12	M8	380	27,5
CAMD 1000	5+3	19	65m6	140	69	18	698	12	M8	500	50
CAMD 1120	5+3	24	75m6	140	79,5	20	775	16	M10	770	88
CAMD 1250	5+3	24	75m6	140	79,5	20	861	16	M10	1000	148
CAMD 1400	5+3	24	80m6	170	85	22	958	16	M10	1380	250
CAMD 1600	5+3	28	90m6	170	95	25	1067	24	M10	1820	410
CAMD 1800	5+3	28	100j6	210	106	28	1200	24	M10	2600	725
CAMD 2000	5+3	28	100j6	210	106	28	1337	24	M10	3150	1110

(*) For "HIGH TEMP." constructions in models 710 to 900, elevations "A-M-R" + 50 mm.
kg = Weight of fan without motor.
WD² = Moment of inertia of the impeller, expressed in Kg x m²

(*) For "HIGH TEMP." constructions in models 710 to 900, elevations "B-P" + 50 mm.
Kg = Weight of the support base



OUTLET NOZZLE

MOD.	a	b	a'	b'	a ²	b ²	n°p	n°f	Φf	
CAMD 710	453	322	497	366	533	402	2-125	3-125	14	12
CAMD 800	507	361	551	405	587	441	2-125	3-125	14	12
CAMD 900	569	404	629	464	669	504	2-160	3-160	14	14
CAMD 1000	638	453	698	513	738	553	2-160	3-160	14	14
CAMD 1120	715	507	775	567	815	607	2-160	4-160	16	14

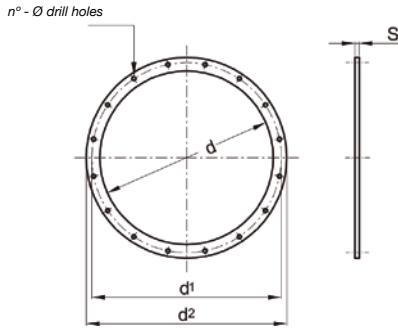
OUTLET NOZZLE

MOD.	a	b	a'	b'	a ²	b ²	n°p	n°f	Φf	
CAMD 1250	801	569	871	639	921	689	2-200	3-200	14	14
CAMD 1400	898	638	968	708	1018	758	2-200	4-200	18	14
CAMD 1600	1007	715	1077	785	1127	835	3-200	4-200	18	14
CAMD 1800	1130	801	1210	881	1270	941	3-200	5-200	20	18
CAMD 2000	1267	898	1347	978	1407	1038	4-200	6-200	24	18

LARGE SERIES

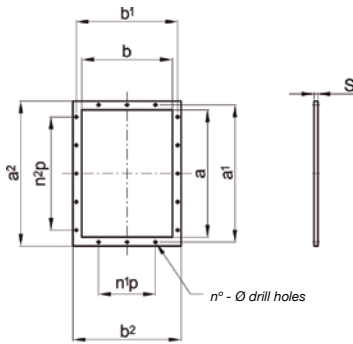
Accessories

Inlet counter flange



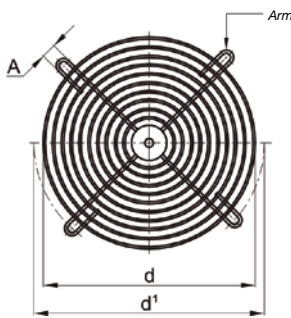
MOD.	d	d ¹	d ²	n°	Φ	s	kg
CAMD 400	255	292	325	8	11	4	1
CAMD 450	286	332	366	8	11	5	1.6
CAMD 500	321	366	401	8	11	5	1.8
CAMD 560	361	405	441	8	11	5	2
CAMD 630	406	448	486	12	11	5	2.2
CAMD 710	456	497	536	12	11	5	2.5
CAMD 800	506	551	586	12	11	5	2.7
CAMD 900	568	629	668	12	11	6	4.6
CAMD 1000	638	698	738	12	11	6	5
CAMD 1120	718	775	818	16	13	6	5.5
CAMD 1250	808	861	908	16	13	6	6.2
CAMD 1400	908	958	1008	16	13	6	7
CAMD 1600	1008	1067	1108	24	13	6	7.8
CAMD 1800	1130	1200	1250	24	13	8	13.8
CAMD 2000	1260	1337	1380	24	13	8	15.5

Impulsion counter-flange



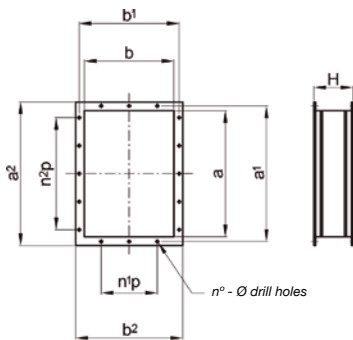
MOD.	a	b	a ¹	b ¹	a ²	b ²	n ¹ p	n ² p	n°	Φ	s	kg
CAMD 400	256	183	292	219	326	253	1-112	2-112	10	12	4	1.1
CAMD 450	288	205	332	249	368	285	1-125	2-125	10	12	5	1.8
CAMD 500	322	229	366	273	402	309	1-125	2-125	10	12	5	2
CAMD 560	361	256	405	300	441	336	1-125	2-125	10	12	5	2.2
CAMD 630	404	288	448	332	484	368	2-125	3-125	14	12	5	2.4
CAMD 710	453	322	497	366	533	402	2-125	3-125	14	12	5	2.7
CAMD 800	507	361	551	405	587	441	2-125	3-125	14	12	5	3
CAMD 900	569	404	629	464	669	504	2-160	3-160	14	14	6	5
CAMD 1000	638	453	698	513	738	553	2-160	3-160	14	14	6	5.6
CAMD 1120	715	507	775	567	815	607	2-160	4-160	16	14	6	6.2
CAMD 1250	801	569	871	639	921	689	2-200	3-200	14	14	8	11.2
CAMD 1400	898	638	968	708	1018	758	3-200	4-200	18	14	8	12.5
CAMD 1600	1007	715	1077	785	1127	835	3-200	4-200	18	14	8	14
CAMD 1800	1130	801	1210	881	1270	941	3-200	5-200	20	18	8	18
CAMD 2000	1267	898	1347	978	1407	1038	4-200	6-200	24	18	8	20

Inlet protection mesh



MOD.	d	d ¹	A	n°	kg
CAMD 400	255	292	11	4	0.3
CAMD 450	286	332	11	4	0.35
CAMD 500	321	366	11	4	0.4
CAMD 560	361	405	11	8	0.7
CAMD 630	406	448	11	8	0.8
CAMD 710	456	497	11	8	0.9
CAMD 800	506	551	11	8	1
CAMD 900	568	629	11	8	1.2
CAMD 1000	638	698	11	8	1.5
CAMD 1120	718	775	13	8	2
CAMD 1250	808	861	13	8	2.5
CAMD 1400	908	958	13	8	3
CAMD 1600	1008	1067	13	8	3.5
CAMD 1800	1130	1200	13	8	8.5
CAMD 2000	1260	1337	13	8	10

Impulsion anti-vibration seal

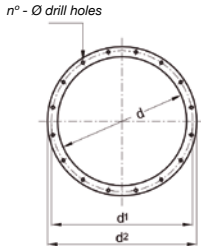


MOD.	a	b	a ¹	b ¹	a ²	b ²	n ¹ p	n ² p	n°	Φ	H	kg
CAMD 400	256	183	292	219	326	253	1-112	2-112	10	12	200	2.4
CAMD 450	288	205	332	249	368	285	1-125	2-125	10	12	200	3.8
CAMD 500	322	229	366	273	402	309	1-125	2-125	10	12	200	4.2
CAMD 560	361	256	405	300	441	336	1-125	2-125	10	12	200	4.6
CAMD 630	404	288	448	332	484	368	2-125	3-125	14	12	200	5
CAMD 710	453	322	497	366	533	402	2-125	3-125	14	12	200	5.6
CAMD 800	507	361	551	405	587	441	2-125	3-125	14	12	200	6.2
CAMD 900	569	404	629	464	669	504	2-160	3-160	14	14	200	10.2
CAMD 1000	638	453	698	513	738	553	2-160	3-160	14	14	200	11.4
CAMD 1120	715	507	775	567	815	607	2-160	4-160	16	14	200	12.6
CAMD 1250	801	569	871	639	921	689	2-200	3-200	14	14	200	23
CAMD 1400	898	638	968	708	1018	758	3-200	4-200	18	14	200	25.5
CAMD 1600	1007	715	1077	785	1127	835	3-200	4-200	18	14	200	28.5
CAMD 1800	1130	801	1210	881	1270	941	3-200	5-200	20	18	200	37
CAMD 2000	1267	898	1347	978	1407	1038	4-200	6-200	24	18	200	41

LARGE SERIES

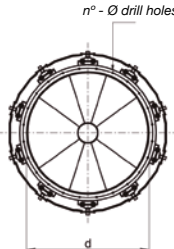
Accessories

Inlet anti-vibration seal



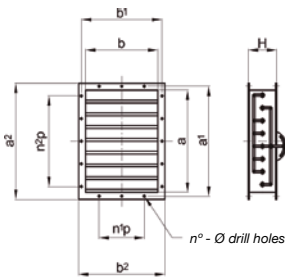
MOD.	d	d ¹	d ²	n°	Φ	H	kg
CAMD 400	255	292	325	8	11	200	2.2
CAMD 450	286	332	366	8	11	200	3.4
CAMD 500	321	366	401	8	11	200	3.8
CAMD 560	361	405	441	8	11	200	4.2
CAMD 630	406	448	486	12	11	200	4.6
CAMD 710	456	497	536	12	11	200	5.1
CAMD 800	506	551	586	12	11	200	5.6
CAMD 900	568	629	668	12	11	200	9.4
CAMD 1000	638	698	738	12	11	200	10.4
CAMD 1120	718	775	818	16	13	200	11.6
CAMD 1250	808	861	908	16	13	200	13
CAMD 1400	908	958	1008	16	13	200	14.4
CAMD 1600	1008	1067	1108	24	13	200	16
CAMD 1800	1130	1200	1250	24	13	200	29
CAMD 2000	1260	1337	1380	24	13	200	33

Flow regulator at the inlet



MOD.	d	d ¹	d ²	n°	Φ	H	kg
CAMD 500	321	366	401	8	11	200	24
CAMD 560	361	405	441	8	11	250	26
CAMD 630	406	448	486	12	11	250	30
CAMD 710	456	497	536	12	11	250	32
CAMD 800	506	551	586	12	11	250	45
CAMD 900	568	629	668	12	11	250	50
CAMD 1000	638	698	738	12	11	300	58
CAMD 1120	718	775	818	16	13	300	68
CAMD 1250	808	861	908	16	13	350	87
CAMD 1400	908	958	1008	16	13	350	102
CAMD 1600	1008	1067	1108	24	13	350	120
CAMD 1800	1130	1200	1250	24	13	400	150
CAMD 2000	1260	1337	1380	24	13	400	170

Opposing blades damper

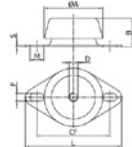


MOD.	a	b	a ¹	b ¹	a ²	b ²	n°p	n°p'	n°	Φ	H (1)	H (2)	kg (1)	kg (2)
CAMD 500	322	229	366	273	402	309	1-125	2-125	10	12	220	250	11	12
CAMD 560	361	256	405	300	441	336	1-125	2-125	10	12	220	250	14	15
CAMD 630	404	288	448	332	484	368	2-125	3-125	14	12	220	250	18	19
CAMD 710	453	322	497	366	533	402	2-125	3-125	14	12	220	250	21	22
CAMD 800	507	361	551	405	587	441	2-125	3-125	14	12	220	250	24	25
CAMD 900	569	404	629	464	669	504	2-160	3-160	14	14	220	250	28	29
CAMD 1000	638	453	698	513	738	553	2-160	3-160	14	14	220	250	32	33
CAMD 1120	715	507	775	567	815	607	2-160	4-160	16	14	220	250	36	38
CAMD 1250	801	569	871	639	921	689	2-200	3-200	14	14	220	250	44	46
CAMD 1400	898	638	968	708	1018	758	3-200	4-200	18	14	220	250	50	52
CAMD 1600	1007	715	1077	785	1127	835	3-200	4-200	18	14	220	250	55	58
CAMD 1800	1130	801	1210	881	1270	941	3-200	5-200	20	18	220	250	81	84
CAMD 2000	1267	898	1347	978	1407	1038	4-200	6-200	24	18	220	250	92	96

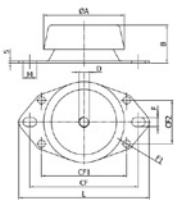
(1) Up to 300 mm H₂O
(2) Above 300 mm H₂O

Shock absorbers

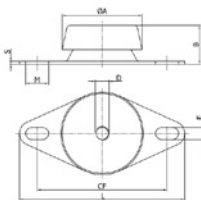
TYPE 1



TYPE 2

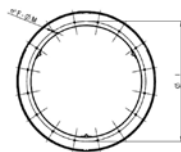
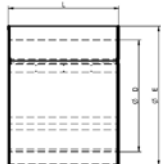


TYPE 3



MOD.	SHOCK-ABSORBERS MODEL	TYPE	øA	B	D	CF	CF1	CF2	F	øF1	L	M	S
CAMD 400	CF 623110	1	67	33...34	10	76.5	-	-	9	-	90.5	16	2
CAMD 450	CF 623110	1	67	33...34	10	76.5	-	-	9	-	90.5	16	2
CAMD 500	CF 623110	1	67	33...34	10	76.5	-	-	9	-	90.5	16	2
CAMD 560	CF 623110	1	67	33...34	10	76.5	-	-	9	-	90.5	16	2
CAMD 630	CF 623110	1	67	33...34	10	76.5	-	-	9	-	90.5	16	2
CAMD 710	CF 623110	1	67	33...34	10	76.5	-	-	9	-	90.5	16	2
CAMD 800	CF 924512	2	92	44...45	12	120	98	50	10.5	8.5	130	15.5	2.5
CAMD 900	CF 924512	2	92	44...45	12	120	98	50	10.5	8.5	130	15.5	2.5
CAMD 1000	CF 924512	2	92	44...45	12	120	98	50	10.5	8.5	130	15.5	2.5
CAMD 1120	CF 924512	2	92	44...45	12	120	98	50	10.5	8.5	130	15.5	2.5
CAMD 1250	CF 924512	2	92	44...45	12	120	98	50	10.5	8.5	130	15.5	2.5
CAMD 1400	CF 924512	2	92	44...45	12	120	98	50	10.5	8.5	130	15.5	2.5
CAMD-1600	CF 1204516	3	92	45	26.5	149.5	-	-	14	-	190	16	3.5
CAMD-1800	CF 1204516	3	92	45	26.5	149.5	-	-	14	-	190	16	3.5
CAMD-2000	CF 1204516	3	92	45	26.5	149.5	-	-	14	-	190	16	3.5

Circular silencers



Silencers are used to lower the noise level at air conditioning or ventilation installation manufactured using galvanised steel.

- Upon request: other constructions using different materials.

øD	øE	L	øI	F	øM
315	515	ØD,1.5ØD,2ØD	355	8	M8
355	555	ØD,1.5ØD,2ØD	395	8	M8
400	600	ØD,1.5ØD,2ØD	450	8	M8
450	650	ØD,1.5ØD,2ØD	500	8	M8
500	700	ØD,1.5ØD,2ØD	560	12	M8
560	760	ØD,1.5ØD,2ØD	620	12	M8
630	830	ØD,1.5ØD,2ØD	690	12	M8
710	910	ØD,1.5ØD,2ØD	770	16	M8
800	1000	ØD,1.5ØD,2ØD	860	16	M8

øD	øE	L	øI	F	øM
900	1100	ØD,1.5ØD,2ØD	970	16	M10
1000	1200	ØD,1.5ØD,2ØD	1070	16	M10
1120	1320	ØD,1.5ØD,2ØD	1190	20	M10
1250	1450	ØD,1.5ØD,2ØD	1320	20	M10
1400	1600	ØD,1.5ØD,2ØD	1470	20	M10
1500	1700	ØD,1.5ØD,2ØD	1570	20	M10
1600	1800	ØD,1.5ØD,2ØD	1680	24	M14
1700	1900	ØD,1.5ØD,2ØD	1780	24	M14
1800	2000	ØD,1.5ØD,2ØD	1880	24	M14

DIRECT DRIVE MOTOR

CASB

Extremely robust, high pressure, single inlet centrifugal fans with sheet steel casing and impeller

Designed for dusty air



SYSTEM
4



- Fan:**
- Sheet steel casing.
 - Backward curved impeller made of highly robust sheet steel, specially designed for dusty air and small suspended materials.
 - Directly coupled motor.
 - With inspection and cleaning hatch from size 560 and up.
 - Sizes larger than 1600 will be supplied with the casing disassembled to facilitate transport.
 - Casing continuously welded starting with size 710.

- Motor:**
- Motors with IE3 efficiency for powers equal to or greater than 0.75kW, except single-phase, 2-speed and 8-pole.
 - Class F motors with ball bearings, IP55 protection.
 - Three-phase 230/400 V 50 Hz (up to 4 kW) and 400/690 V 50 Hz (powers greater than 4 kW).
 - Maximum temperature of air to be carried: -25 °C +90 °C.

- Finishing:**
- Anti-corrosive finish in polyester resin, polymerised at 190 °C, after degreasing with phosphate-free nanotechnology treatment.

- On request:**
- Special windings for different voltages.
 - Fan prepared to transport air up to +150 °C.
 - Special executions for temperatures + 300 °C.
 - Stainless steel fan.
 - ATEX certified Category 2.
 - System 8 elastic coupling.

*The images are provided only for illustrative purposes, the product may vary depending on its size, specifications and position.

Order code



CASB: Extremely robust, high pressure, single inlet centrifugal fans with sheet steel casing and impeller.

Impeller size

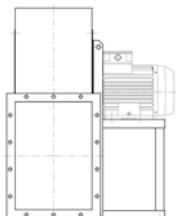
Number of motor poles
2=2900 r/min 50 Hz
4=1400 r/min 50 Hz
6=900 r/min 50 Hz

T=Three-phase

Motor power (HP)

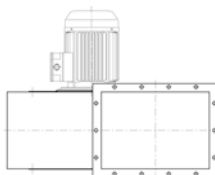
Direct drive motor construction method

SYSTEM
4



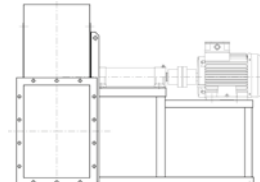
Direct drive, impeller mounted on the motor shaft, mounted on the pedestal.

SYSTEM
5



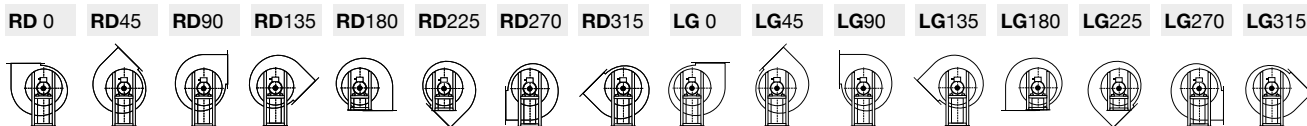
Direct drive, impeller mounted on the motor shaft, flange motor mounted on the fan casing.

SYSTEM
8



Elastic coupling drive, impeller mounted on the support shaft, mounted on the motor via an elastic coupling. Everything mounted together on a fan pedestal.

Orientations



LG270 standard supply, other positions on request. Models 350 to 710 are adjustable. Special sizes in positions 180 and 225. Models 800 to 900 are adjustable. Special sizes except position 315. Models 1000 to 1400 are not adjustable. Special sizes except position 315.

Technical characteristics

Model	Frame	Speed (r/min)	Maximum admissible current (A)			Installed power (kW)	Maximum flow rate (m³/h)	Sound pressure level dB(A)	Approx. weight (Kg)	According ErP
			230 V	400 V	690 V					
CASB-350-2T-3 IE3	90L	2910	7.32	4.21		2.20	3950	70	73	2015
CASB-400-2T-5.5 IE3	112M	2900	13.00	7.50		4.00	5550	74	108	2015
CASB-450-2T-10 IE3	132SB	2935		13.90	8.06	7.50	7900	77	150	2015
CASB-500-2T-15 IE3	160MA	2945		20.00	11.60	11.00	10800	80	230	2015
CASB-500-4T-1.5 IE3	90S	1455	4.07	2.34		1.10	5020	62	133	2015
CASB-560-2T-20 IE3	160MB	2945		27.70	16.10	15.00	13750	83	282	2015
CASB-560-2T-25 IE3	160L	2945		33.90	19.70	18.50	15900	83	292	2015
CASB-560-4T-3 IE3	100LA	1435	7.93	4.56		2.20	7800	65	139	2015
CASB-630-2T-40 IE3	200LA	2960		54.50	31.60	30.00	19450	86	382	2015
CASB-630-2T-50 IE3	200LB	2960		67.80	39.30	37.00	22700	88	392	2015
CASB-630-4T-5.5 IE3	112M	1450	13.90	8.00		5.50	10900	71	223	2015
CASB-710-4T-7.5 IE3	132S	1465		10.30	5.97	5.50	13000	71	295	2015
CASB-710-4T-10 IE3	132MA	1465		13.90	8.06	7.50	15300	73	281	2015
CASB-800-4T-15 IE3	160L	1470		20.90	12.10	11.00	19300	76	421	2015
CASB-800-4T-20 IE3	160L	1465		27.90	16.20	15.00	22450	76	396	2015
CASB-800-6T-5.5 IE3	132MA	960	15.60	8.99		4.00	13700	66	335	2015
CASB-900-4T-30 IE3	180M	1470		41.00	23.80	22.00	27550	78	581	2015
CASB-900-4T-40 IE3	200L	1480		57.10	33.10	30.00	31800	79	672	2015
CASB-900-6T-10 IE3	160M	975		14.80	8.58	7.50	19550	68	486	2015
CASB-1000-4T-50 IE3	225S	1480		66.80	38.70	37.00	38600	82	752	2015
CASB-1000-4T-60 IE3	225M	1475		80.90	46.90	45.00	42900	84	759	2015
CASB-1000-6T-15 IE3	160L	975		21.90	12.70	11.00	26750	73	614	2015
CASB-1000-6T-20 IE3	180L	975		28.20	16.30	15.00	29700	73	640	2015
CASB-1120-4T-75 IE3	250M	1480		98.60	57.20	55.00	55100	86	1143	2015
CASB-1120-4T-100 IE3	280S	1485		134.00	77.70	75.00	63050	86	1215	2015
CASB-1120-6T-25 IE3	200LR	980		35.90	20.80	18.50	38000	76	969	2015
CASB-1120-6T-30 IE3	200L	980		42.40	24.60	22.00	41600	77	991	2015
CASB-1250-4T-150 IE3	315S	1490		193.00	112.00	110.00	78600	89	1466	2015
CASB-1250-4T-175 IE3	315MA	1490		231.00	134.00	132.00	87500	90	1537	2015
CASB-1250-6T-40 IE3	225M	985		55.40	32.10	30.00	51550	79	1222	2015
CASB-1250-6T-50 IE3	250M	985		67.20	39.00	37.00	57400	79	1319	2015
CASB-1400-6T-60 IE3	280S	985		84.40	48.90	45.00	64350	81	1829	2015
CASB-1400-6T-100 IE3	315S	990		139.00	80.60	75.00	85800	83	1951	2015



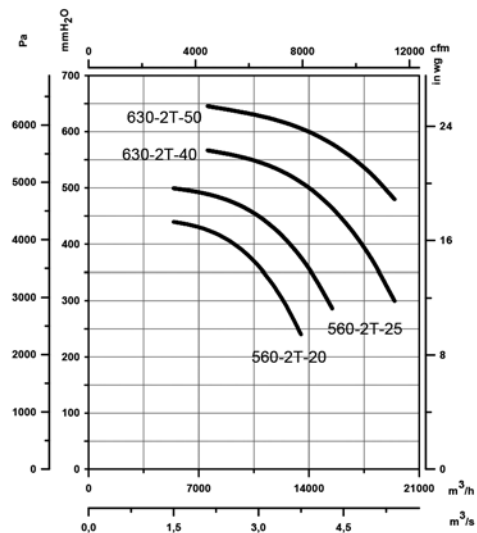
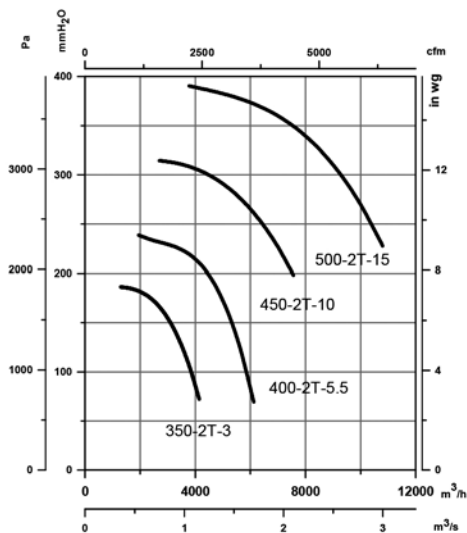
Erp. (Energy Related Products)

Information on Directive 2009/125/EC can be downloaded from the SODECA website or the QuickFan selector programme.

Characteristic curves

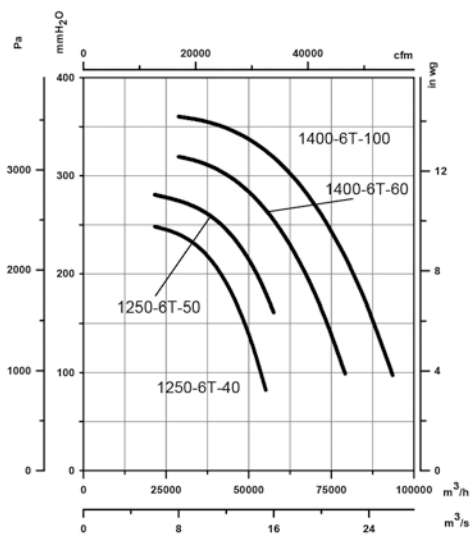
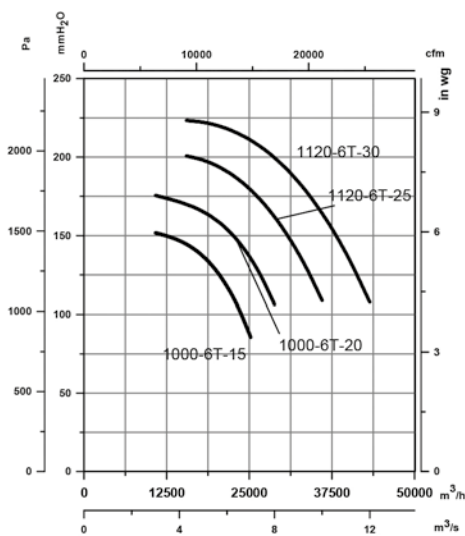
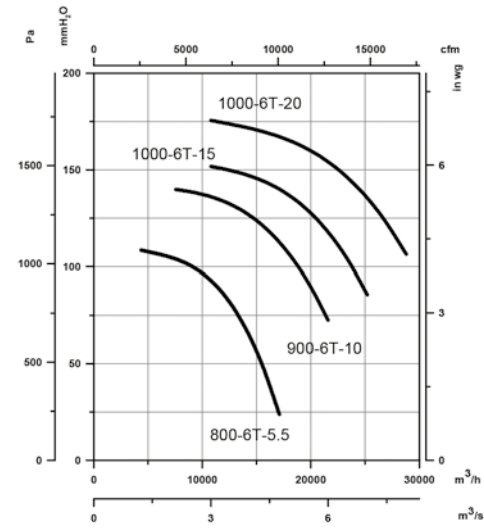
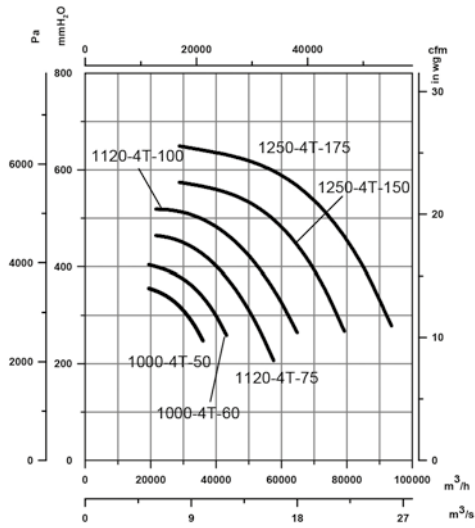
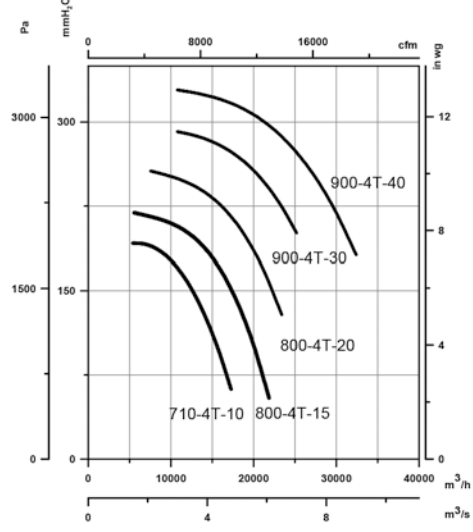
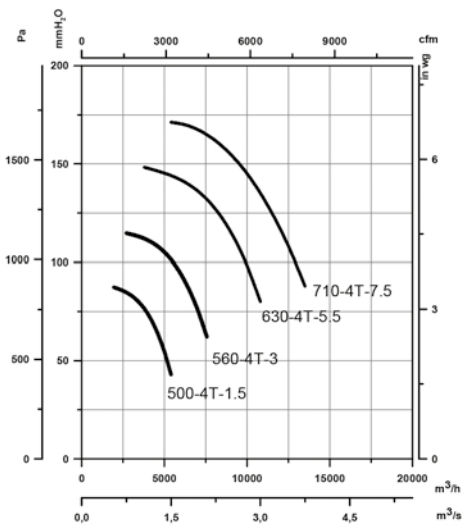
Q= Flow rate in m³/h, m³/s and cfm

Pe= Static pressure in mm H₂O, Pa and inwg



Characteristic curves

Q= Flow rate in m³/h, m³/s and cfm Pe= Static pressure in mm H₂O, Pa and inwg



LARGE SERIES

Accessories



BELT-DRIVEN MOTOR

CASB-X

Belt driven medium pressure fans, equipped with an electric motor, a set of pulleys, belts and protectors standardized according to ISO-13857
Designed for dusty air



- Casing continuously welded starting with size 710.

Motor:

- IE3 efficiency motors.
- Class F motors with ball bearings, IP55 protection.
- Three-phase 230/400 V 50 Hz (up to 4 kW) and 400/690 V 50 Hz (powers greater than 4 kW).
- Maximum temperature of air to be carried: -25 °C +90 °C.

Finishing:

- Anti-corrosive finish in polyester resin, polymerised at 190 °C, after degreasing with phosphate-free nanotechnology treatment.

On request:

- Special windings for different voltages.
- Fan prepared to transport air up to +300 °C.
- Stainless steel fan.
- ATEX certified Category 2.
- System 8 elastic coupling.

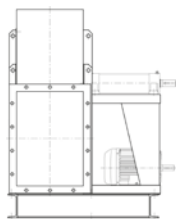
Fan:

- Sheet steel casing.
- Backward curved impeller made of highly robust sheet steel, specially designed for dusty air and small suspended materials.
- Engine mounted on general bench.
- With inspection and cleaning hatch from size 560 and up.
- Sizes larger than 1600 will be supplied with the casing disassembled to facilitate transport.

*The images are provided only for illustrative purposes, the product may vary depending on its size, specifications and position.

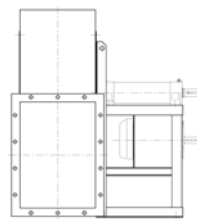
Belt-driven motor construction method

SYSTEM 12



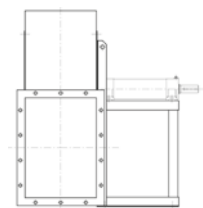
Transmission drive, identical to SYSTEM 1, with the motor and fan mounted on the common bench. Motor positions "W" or "Z" and exceptionally "X" or "Y".

SYSTEM 9



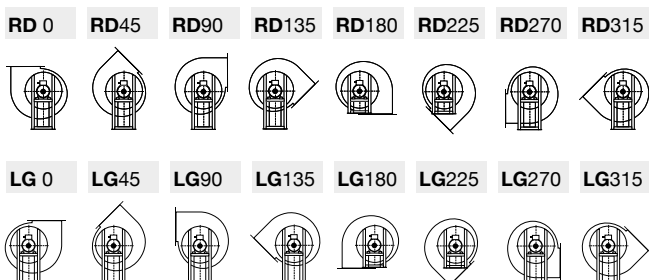
Transmission drive, identical to SYSTEM 1, with the motor mounted on the side of the pedestal, in position "W" or "Z".

SYSTEM 1



Transmission drive, impeller mounted on the support shaft. Support mounted on the pedestal.

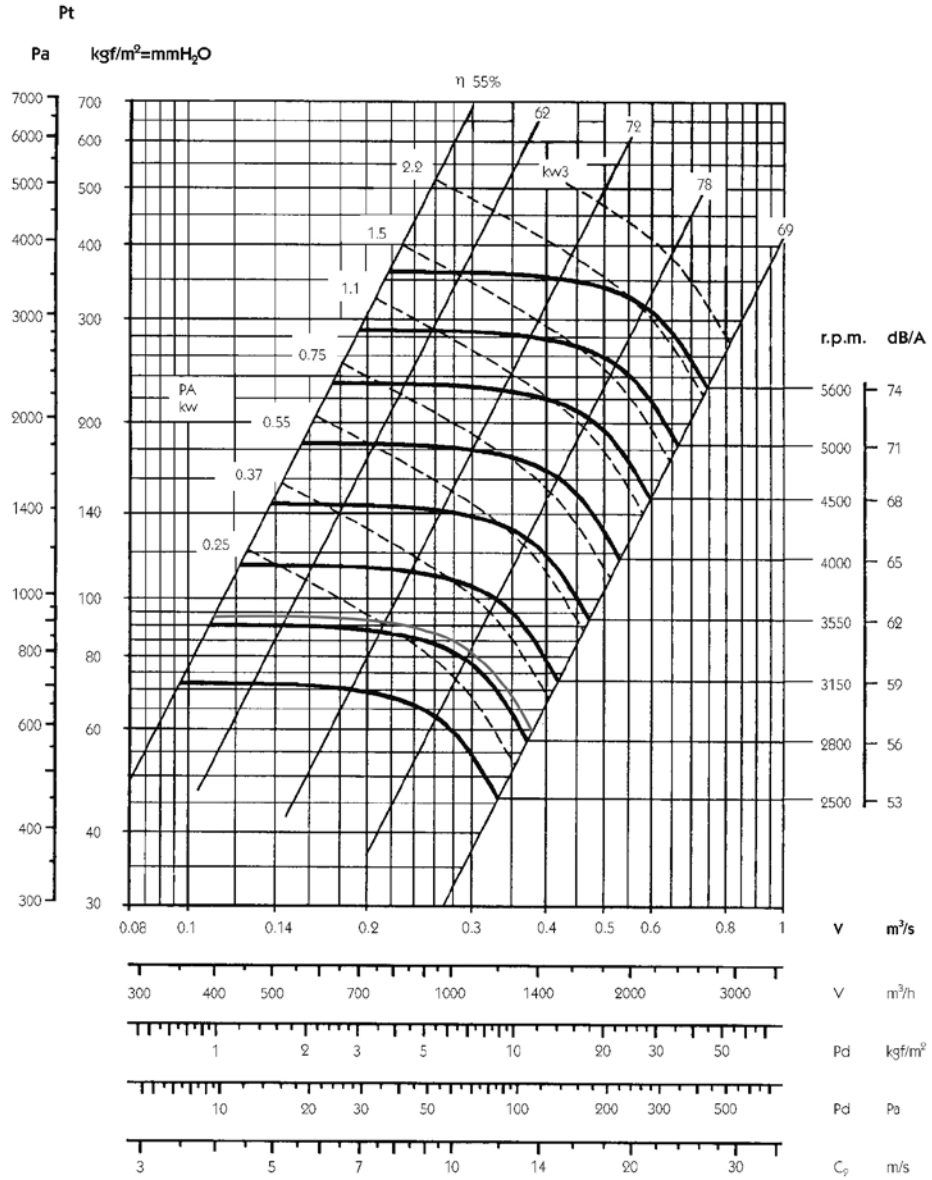
Orientations



LARGE SERIES

Characteristic curves

CASB-X 250



LARGE SERIES

Flow margin ±5%
 Noise level margin + 3... 5 dB
 Margin of kW absorbed ±3%

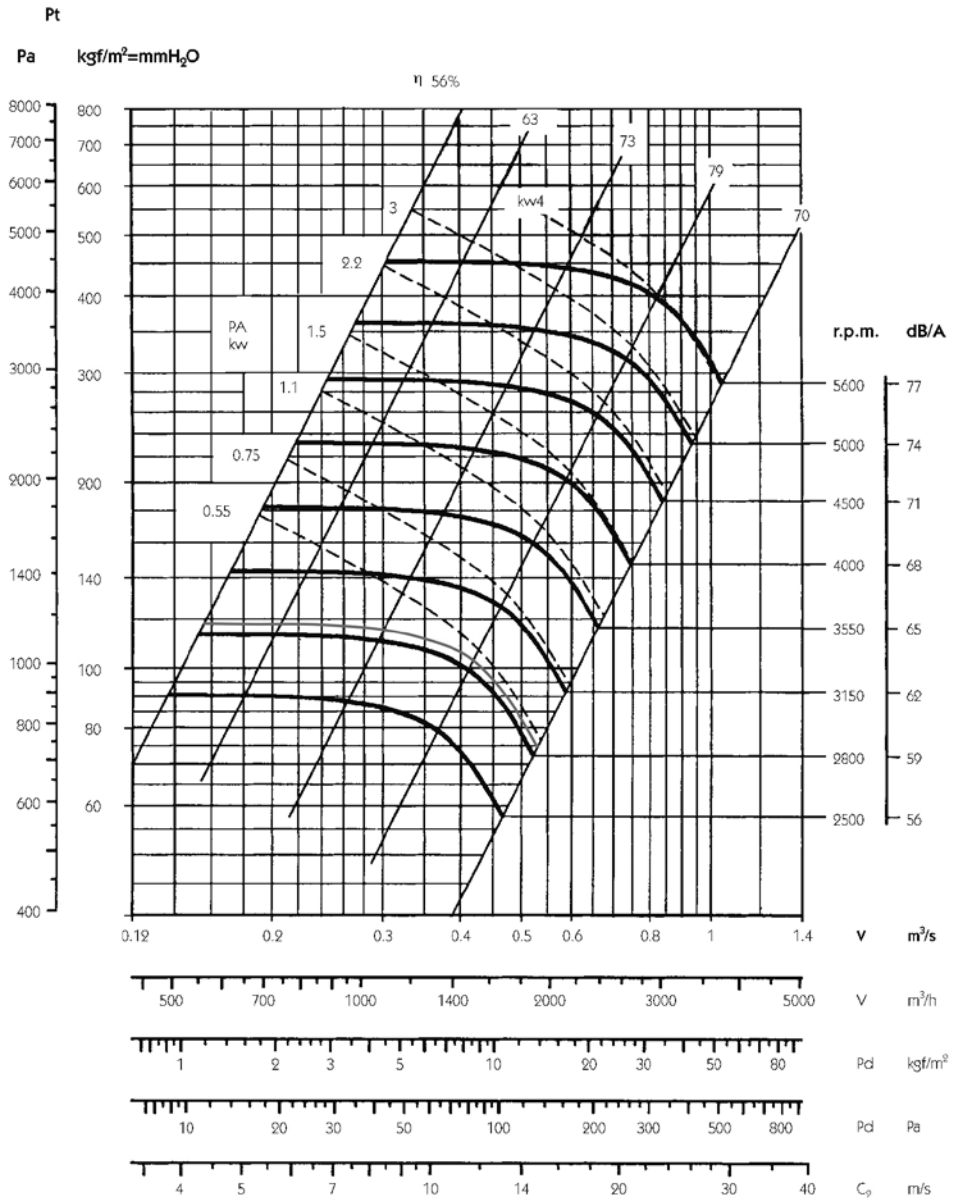
Outlet characteristics.

Maximum admissible Rpm

Class 1	
≤ 100 °C	5000
101 ... 200 °C	4500
201 ... 300 °C	4000

Characteristic curves

CASB-X 280



Flow margin ±5%
Noise level margin + 3... 5 dB
Margin of kW absorbed ±3%

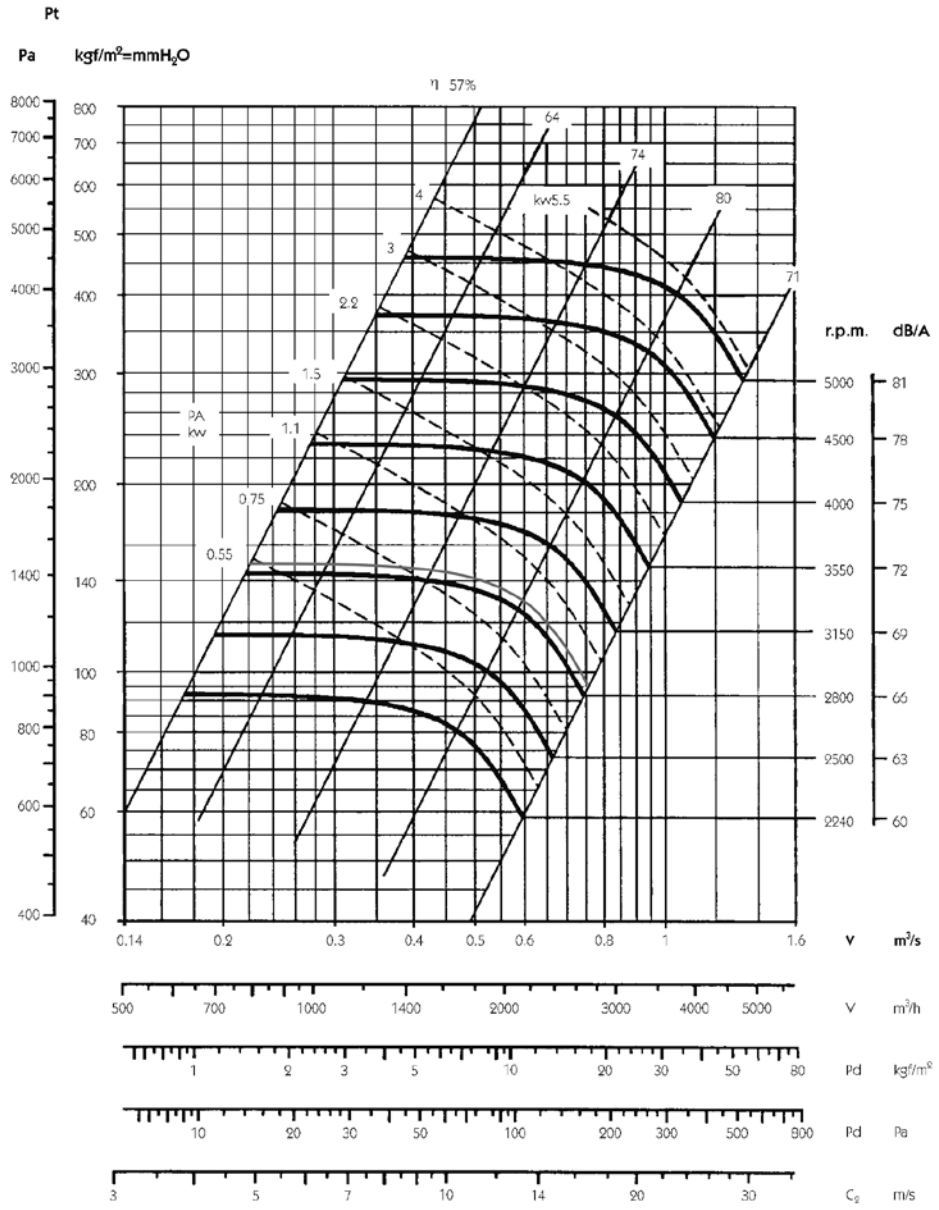
Outlet characteristics.

Maximum admissible Rpm

Class 1	
≤ 100 °C	4750
101 ... 200 °C	4250
201 ... 300 °C	3750

Characteristic curves

CASB-X 310



LARGE SERIES

Flow margin ±5%
 Noise level margin + 3... 5 dB
 Margin of kW absorbed ±3%

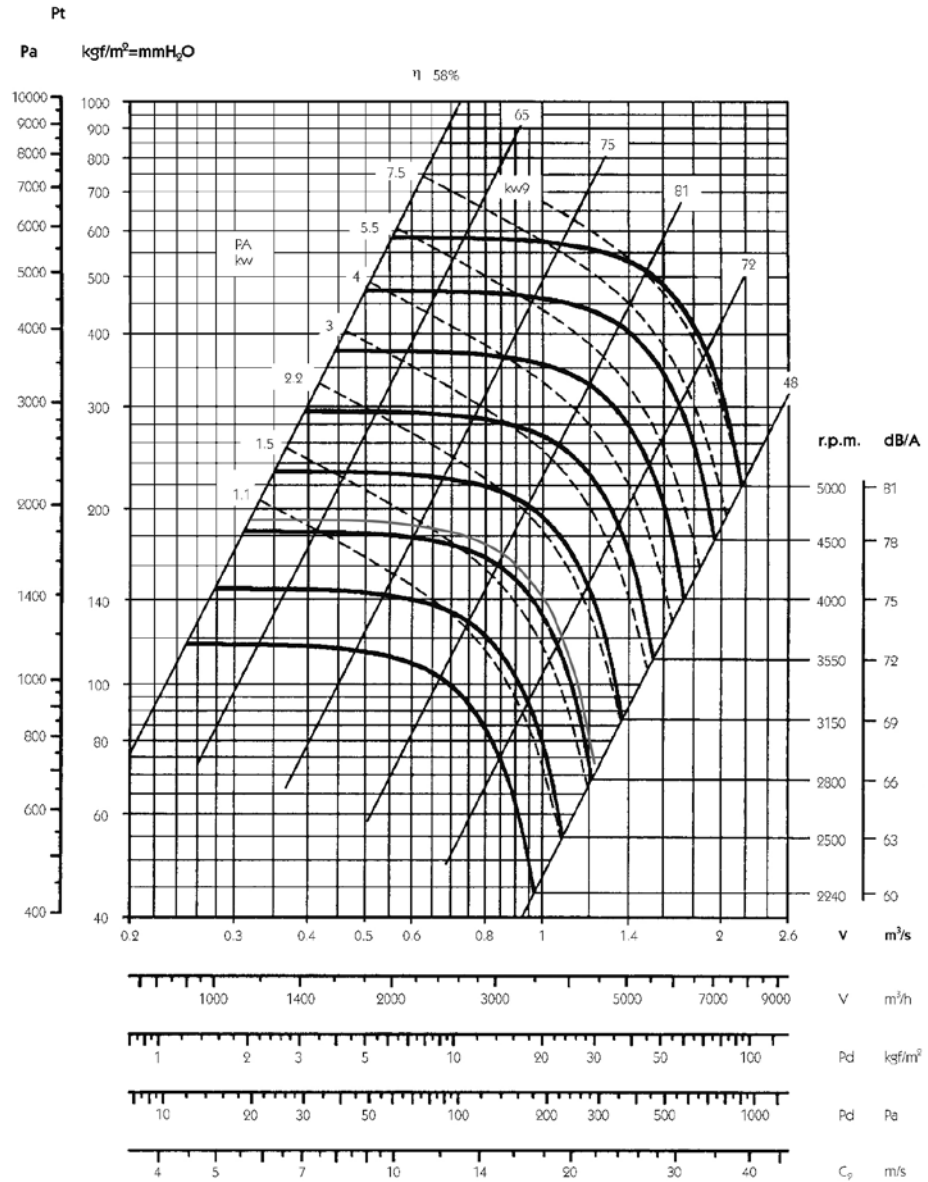
Outlet characteristics.

Maximum admissible Rpm

Class 1	
≤ 100 °C	4500
101 ... 200 °C	4000
201 ... 300 °C	3550

Characteristic curves

CASB-X 350



Flow margin $\pm 5\%$
 Noise level margin + 3... 5 dB
 Margin of kW absorbed $\pm 3\%$

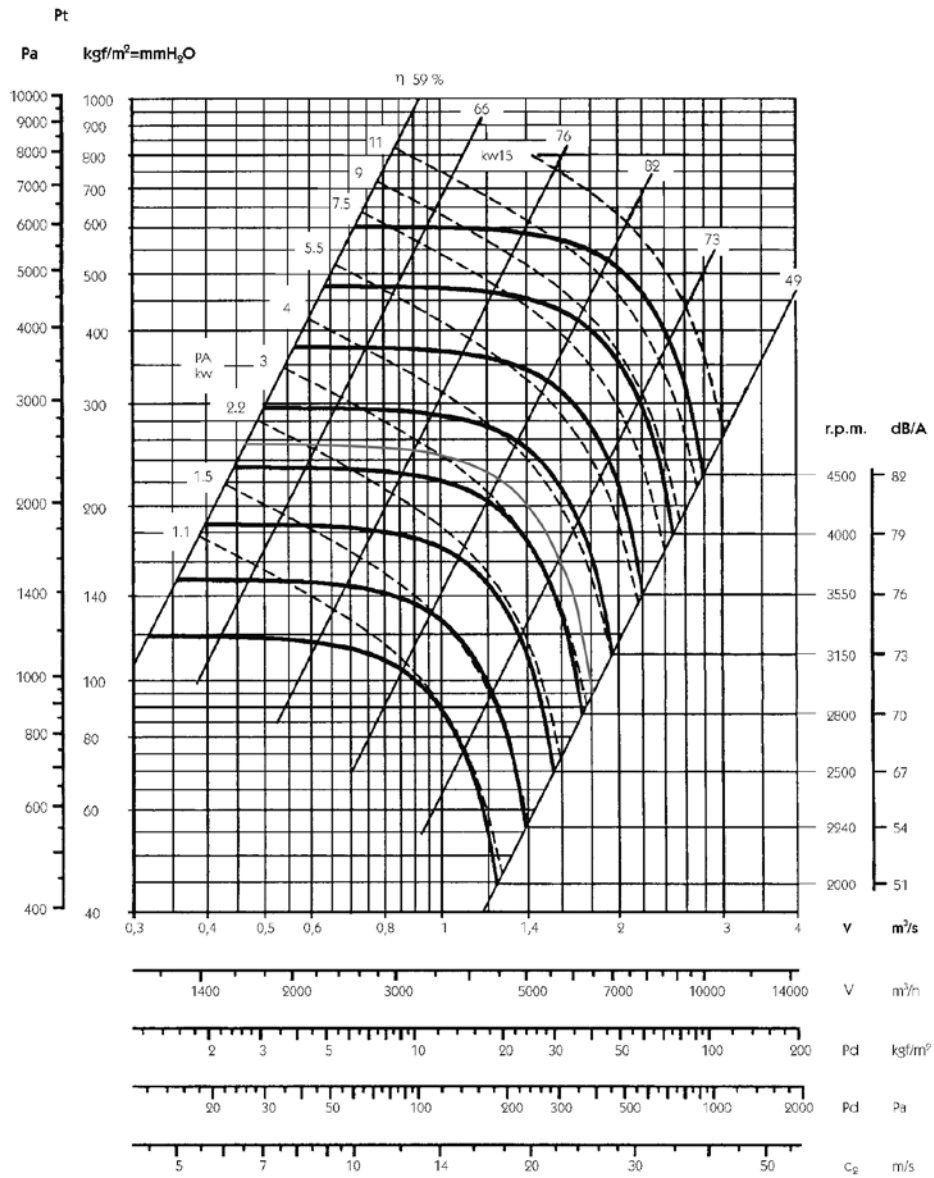
Outlet characteristics.

Maximum admissible Rpm

Class 1	
≤ 100 °C	4250
101 ... 200 °C	3750
201 ... 300 °C	3350

Characteristic curves

CASB-X 400



LARGE SERIES

Flow margin ±5%
 Noise level margin + 3... 5 dB
 Margin of kW absorbed ±3%

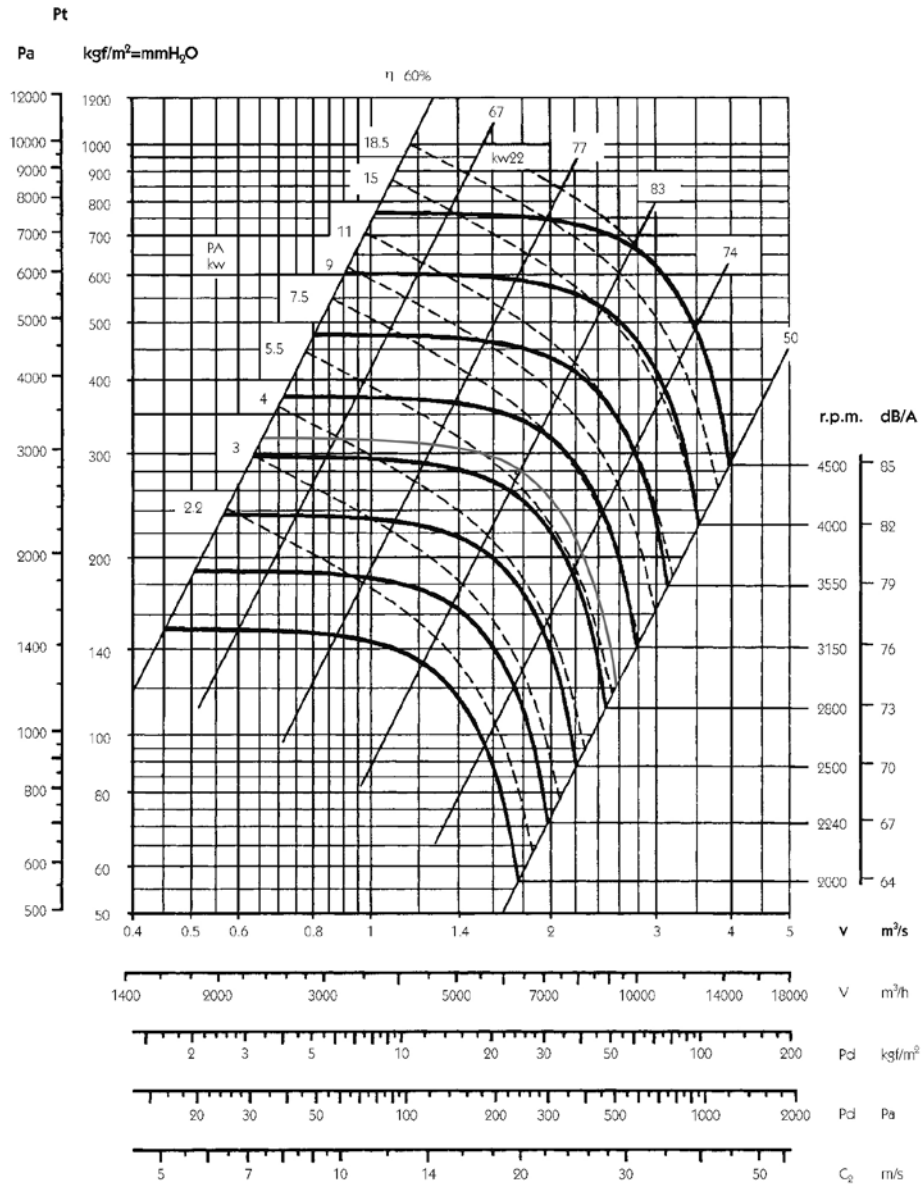
Outlet characteristics.

Maximum admissible Rpm

Class 1	
≤ 100 °C	4000
101 ... 200 °C	3550
201 ... 300 °C	3150

Characteristic curves

CASB-X 450



Flow margin ±5%
 Noise level margin + 3... 5 dB
 Margin of kW absorbed ±3%

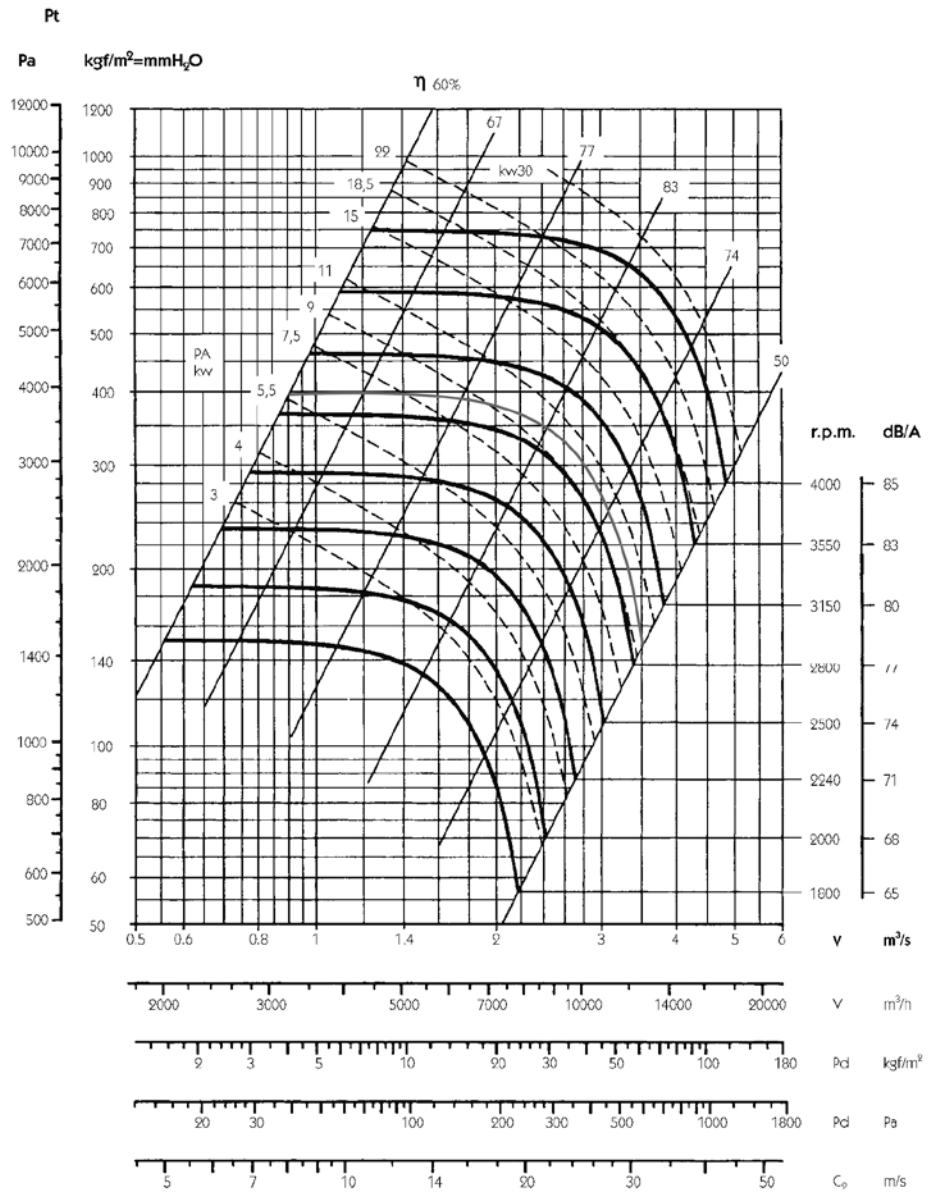
Outlet characteristics.

Maximum admissible Rpm

Class 1	
≤ 100 °C	3750
101 ... 200 °C	3350
201 ... 300 °C	3000

Characteristic curves

CASB-X 500



LARGE SERIES

Flow margin ±5%
 Noise level margin + 3... 5 dB
 Margin of kW absorbed ±3%

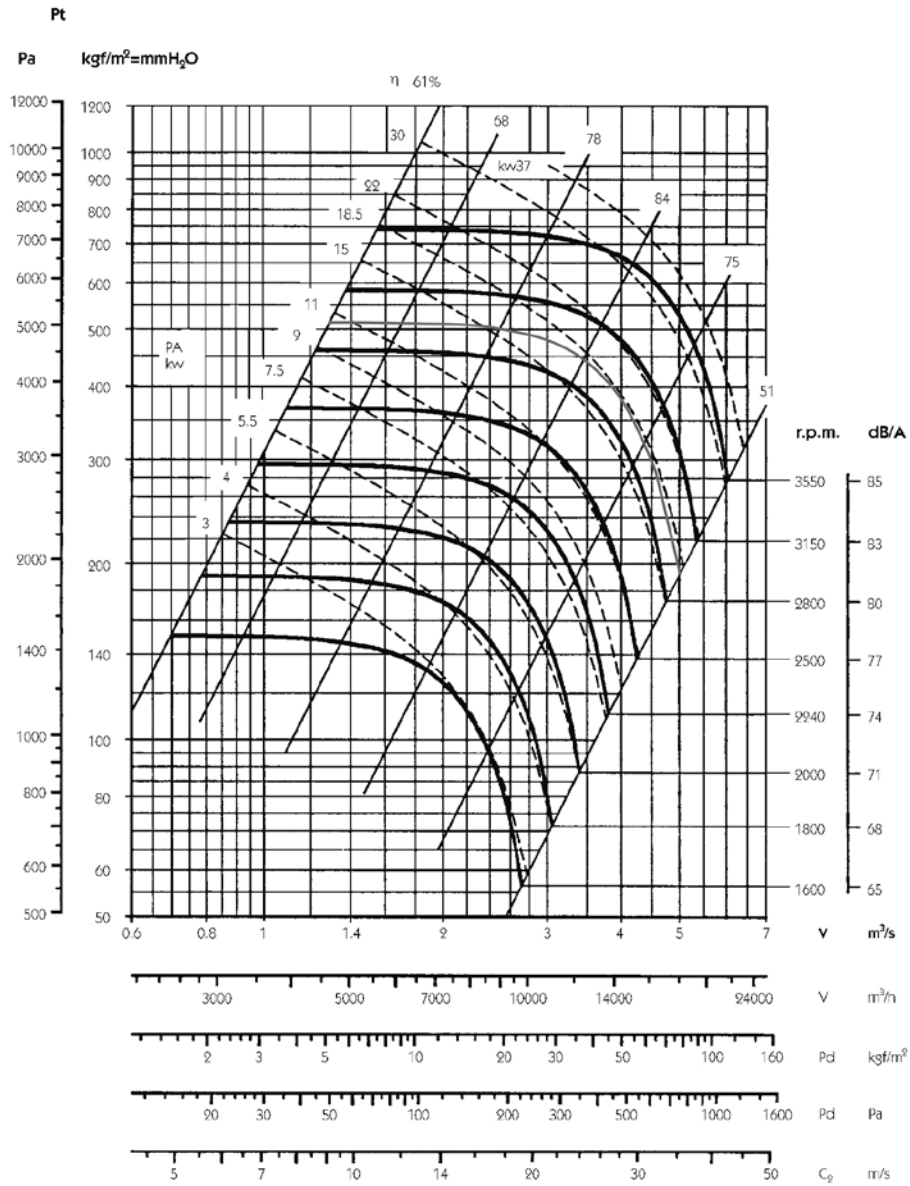
Outlet characteristics.

Maximum admissible Rpm

Class 1	
≤ 100 °C	3550
101 ... 200 °C	3150
201 ... 300 °C	2800

Characteristic curves

CASB-X 560



Flow margin ±5%
 Noise level margin + 3... 5 dB
 Margin of kW absorbed ±3%

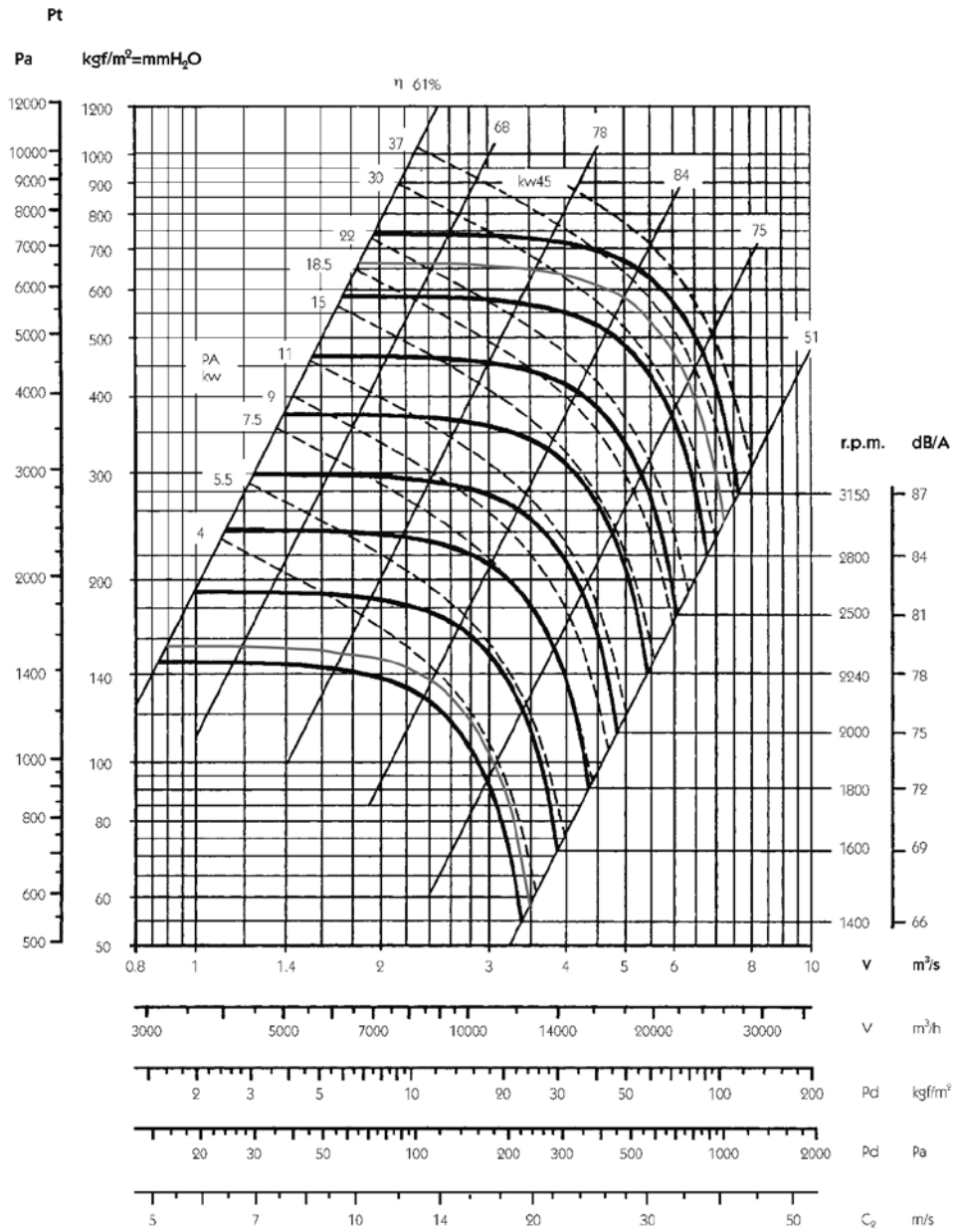
Outlet characteristics.

Maximum admissible Rpm

Class 1	
≤ 100 °C	3350
101 ... 200 °C	3000
201 ... 300 °C	2650

Characteristic curves

CASB-X 630



LARGE SERIES

Flow margin ±5%
 Noise level margin + 3... 5 dB
 Margin of kW absorbed ±3%

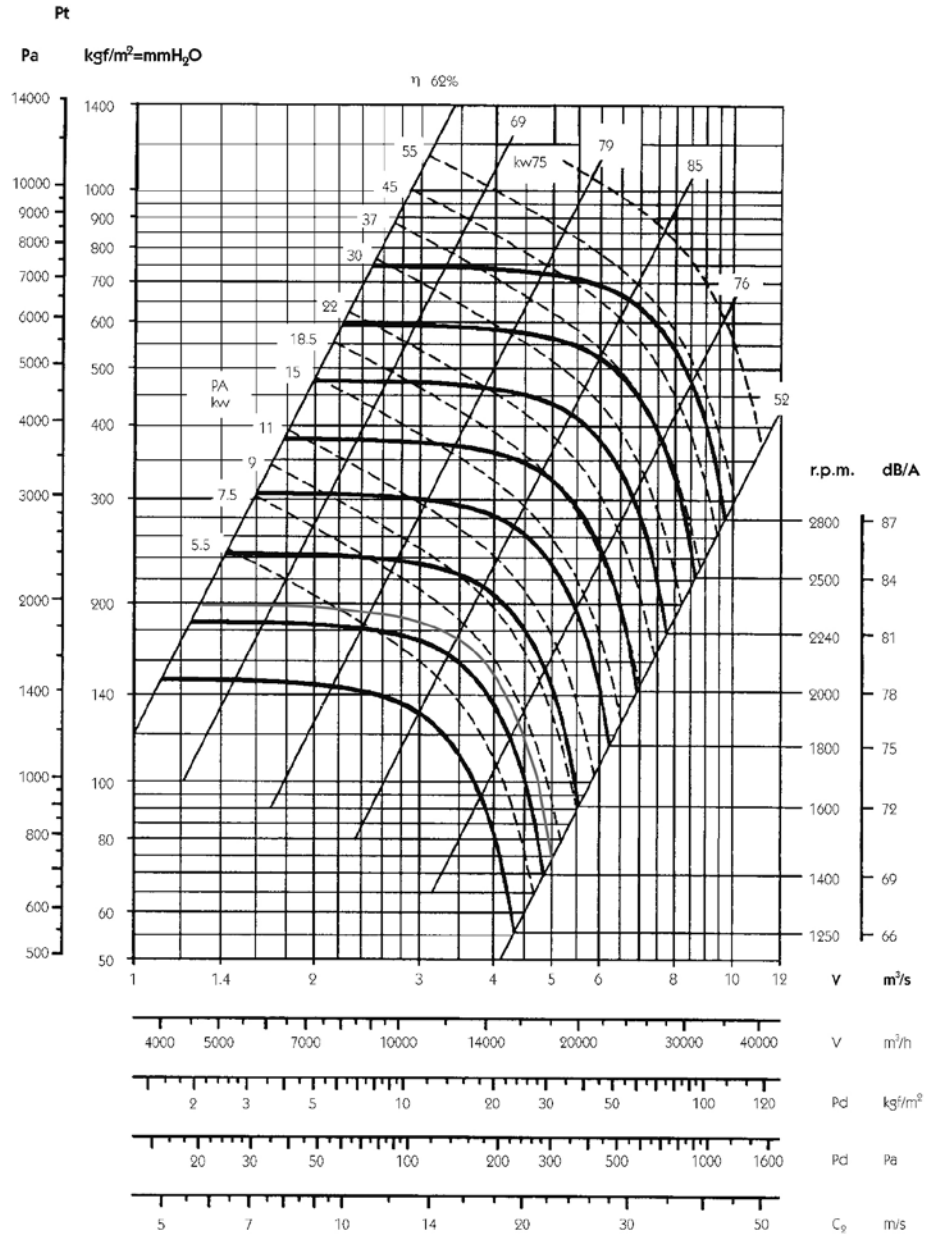
Outlet characteristics.

Maximum admissible Rpm

Class 1	
≤ 100 °C	3150
101 ... 200 °C	2800
201 ... 300 °C	2500

Characteristic curves

CASB-X 710



Flow margin ±5%
 Noise level margin + 3... 5 dB
 Margin of kW absorbed ±3%

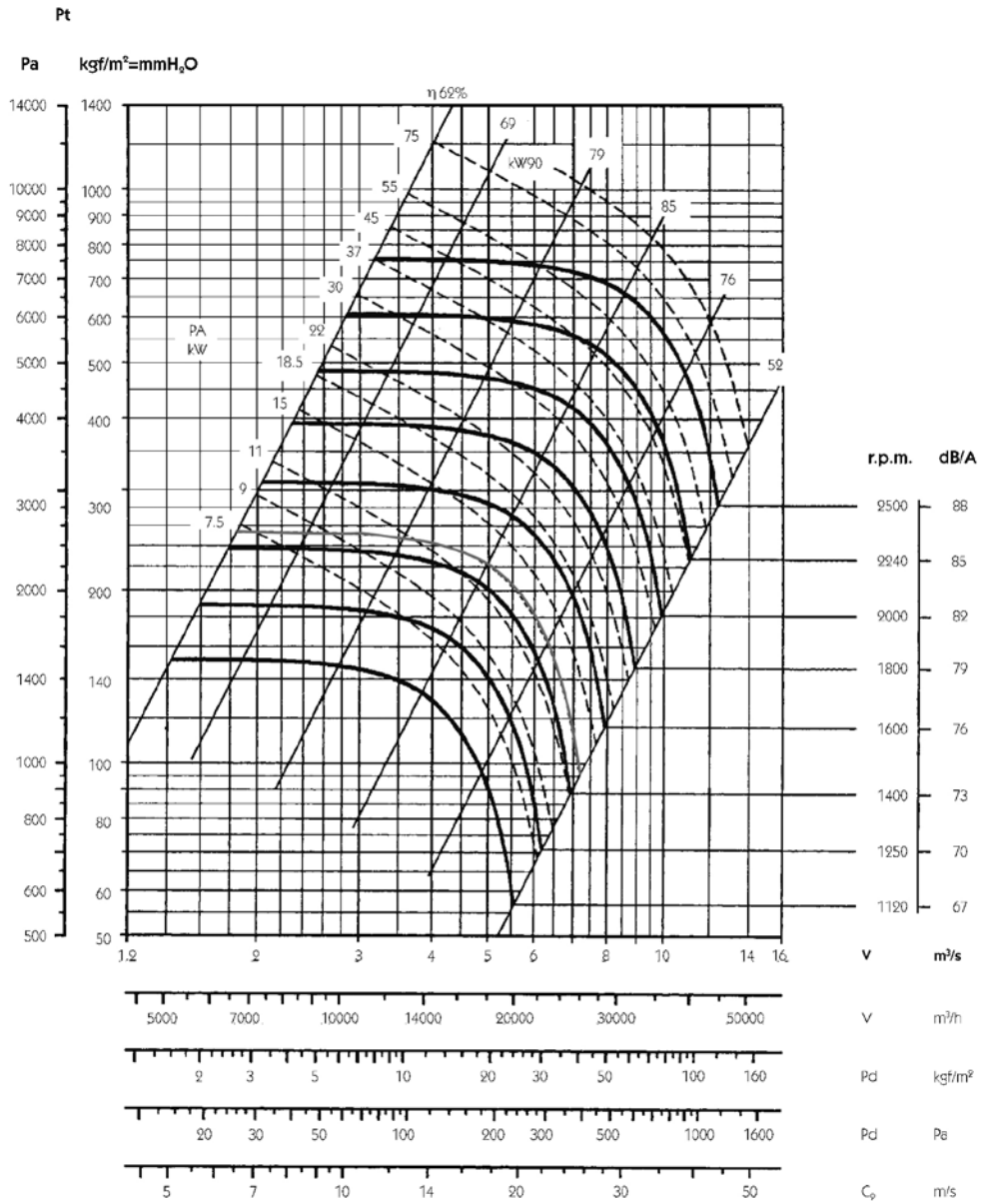
Outlet characteristics.

Maximum admissible Rpm

Class 1	
≤ 100 °C	2800
101 ... 200 °C	2500
201 ... 300 °C	2240

Characteristic curves

CASB-X 800



LARGE SERIES

Flow margin ±5%
 Noise level margin + 3... 5 dB
 Margin of kW absorbed ±3%

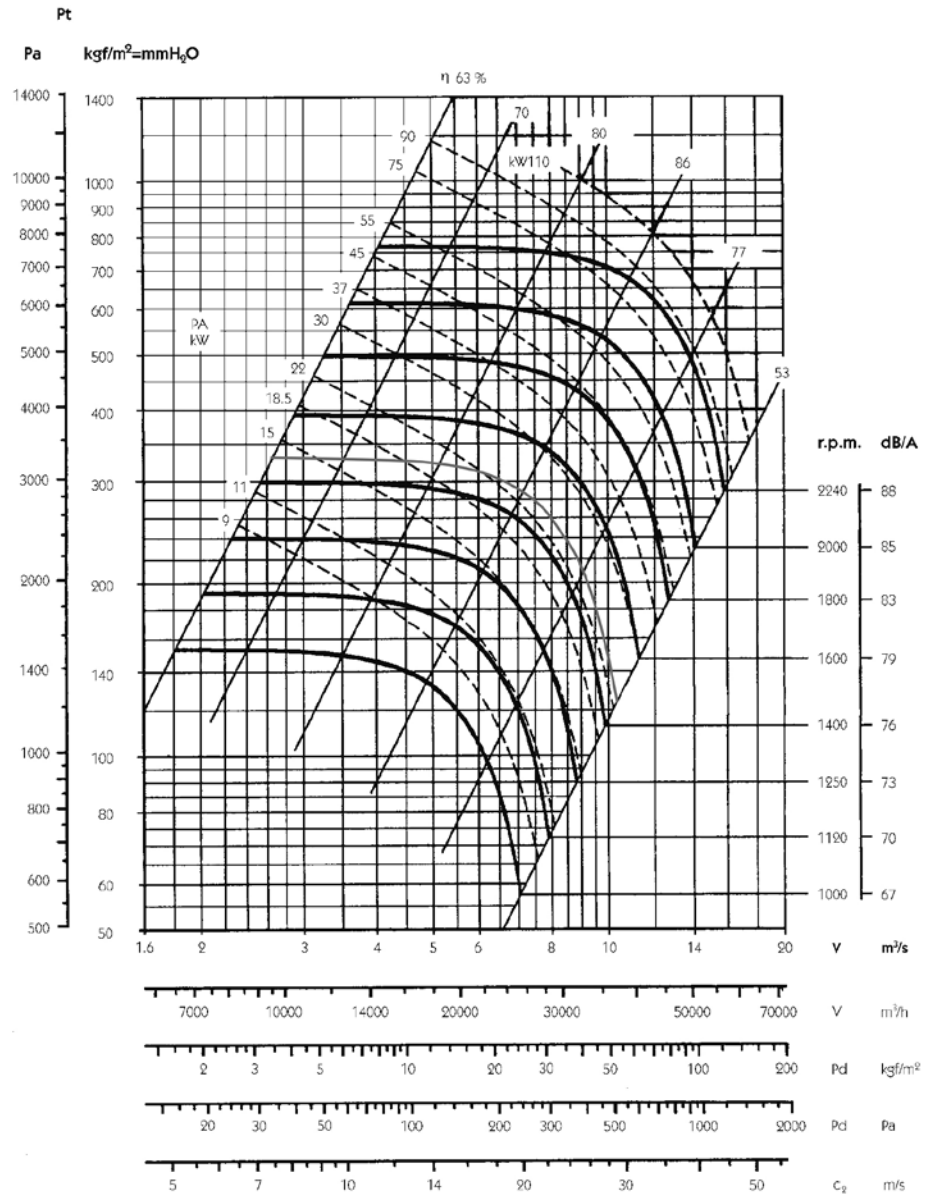
Outlet characteristics.

Maximum admissible Rpm

Class 1	
≤ 100 °C	2500
101 ... 200 °C	2240
201 ... 300 °C	2000

Characteristic curves

CASB-X 900



Flow margin ±5%
 Noise level margin + 3... 5 dB
 Margin of kW absorbed ±3%

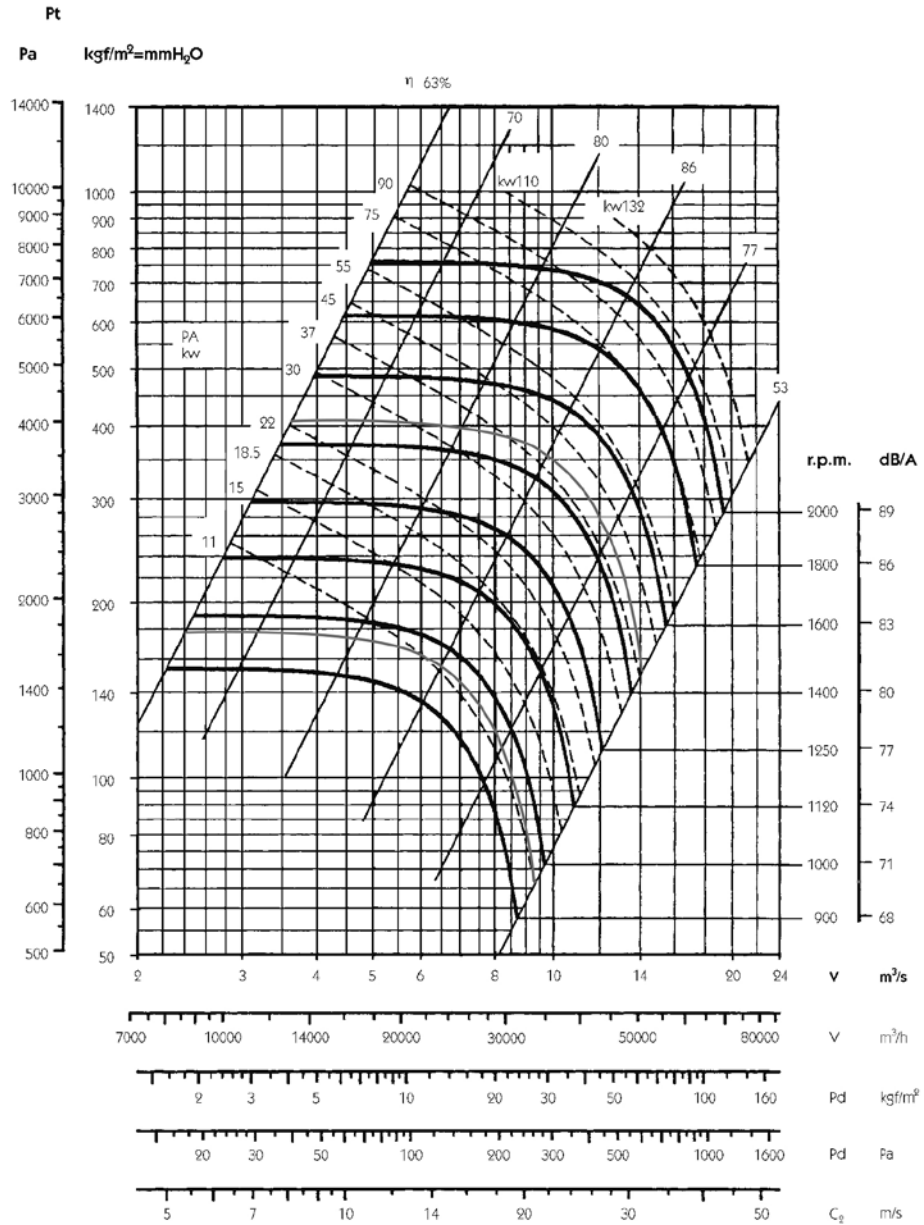
Outlet characteristics.

Maximum admissible Rpm

Class 1	
≤ 100 °C	2240
101 ... 200 °C	2000
201 ... 300 °C	1800

Characteristic curves

CASB-X 1000



LARGE SERIES

Flow margin $\pm 5\%$
 Noise level margin + 3... 5 dB
 Margin of kW absorbed $\pm 3\%$

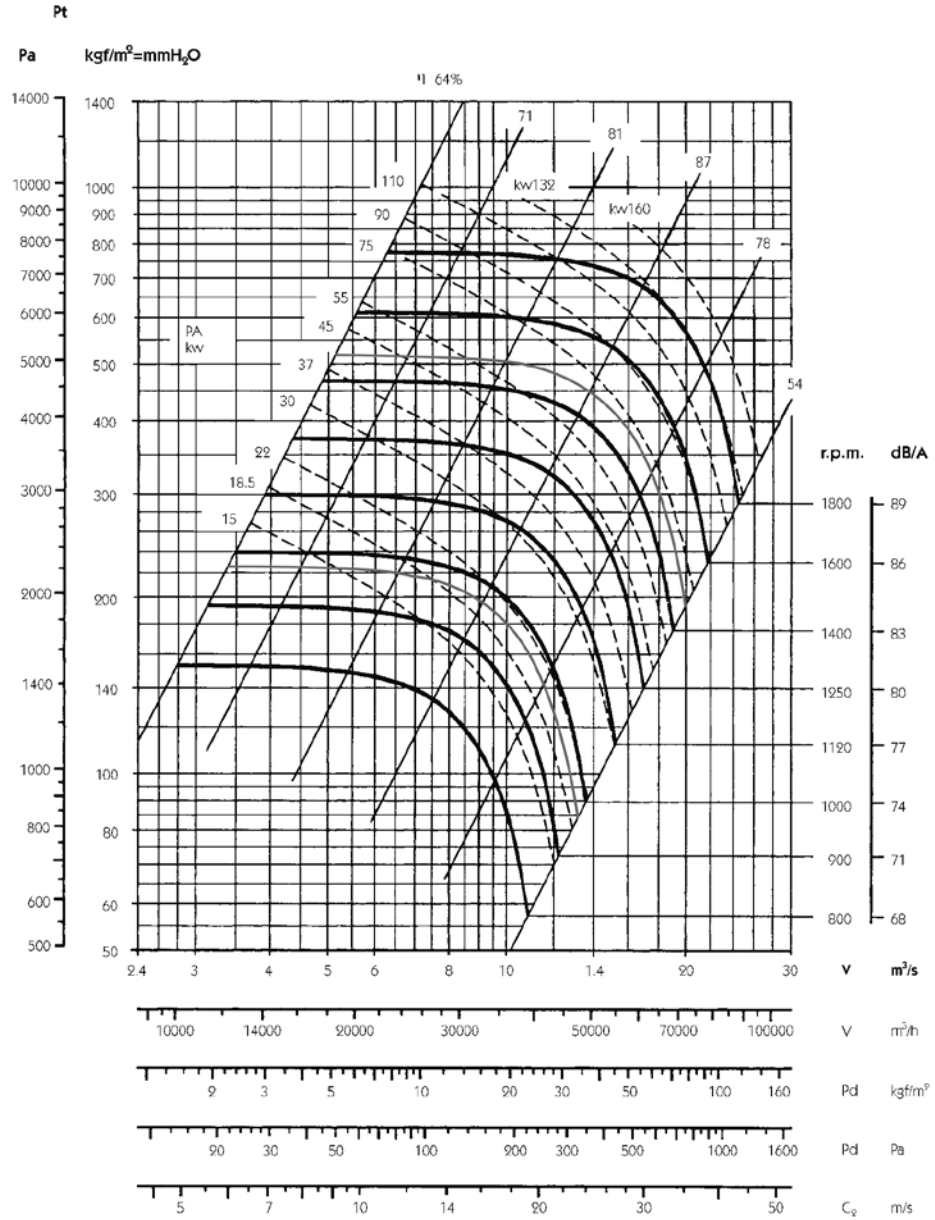
Outlet characteristics.

Maximum admissible Rpm

Class 1	
$\leq 100^\circ\text{C}$	2000
101 ... 200 $^\circ\text{C}$	1800
201 ... 300 $^\circ\text{C}$	1600

Characteristic curves

CASB-X 1120



Flow margin ±5%
 Noise level margin + 3... 5 dB
 Margin of kW absorbed ±3%

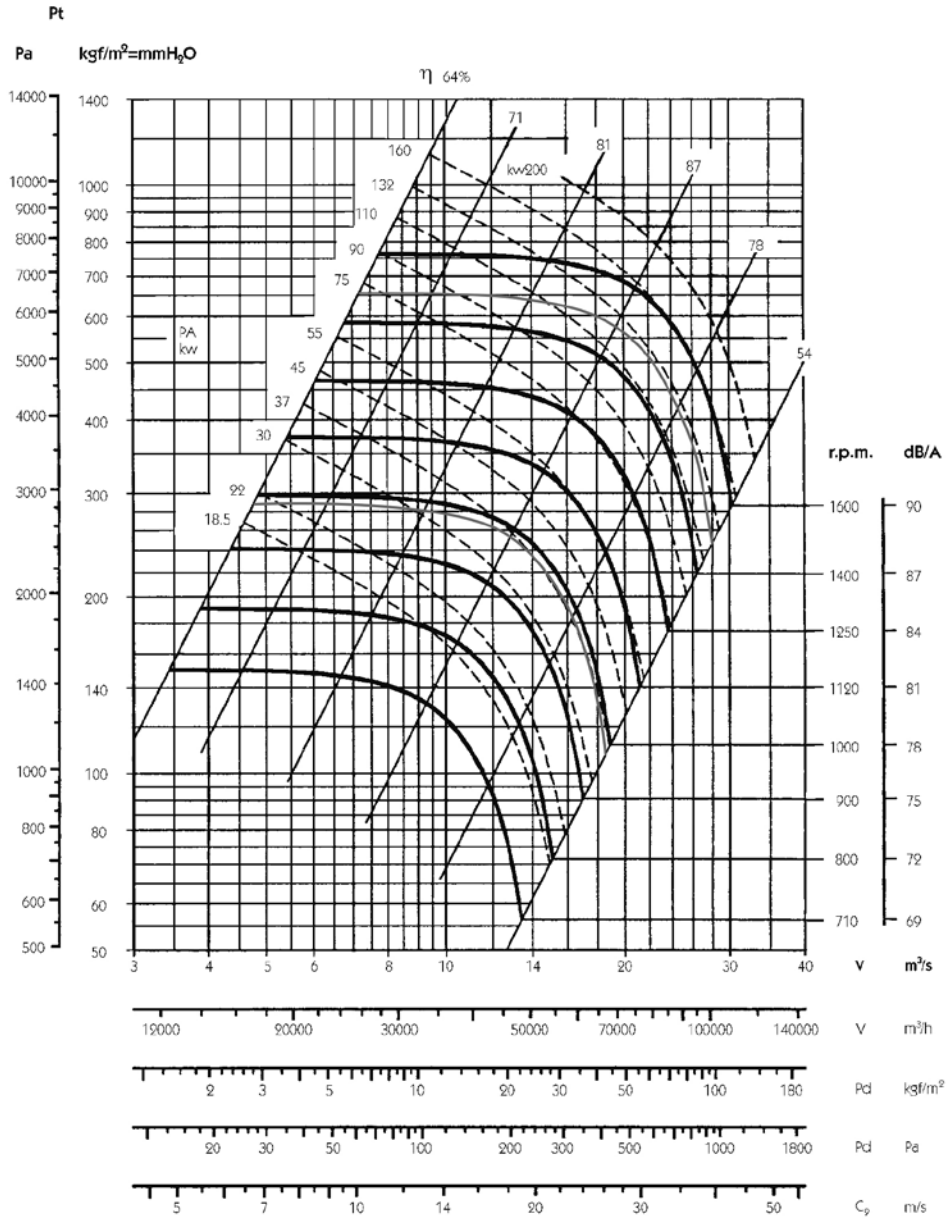
Maximum admissible Rpm

Outlet characteristics.

Class 1	
≤ 100 °C	1800
101 ... 200 °C	1600
201 ... 300 °C	1400

Characteristic curves

CASB-X 1250



LARGE SERIES

Flow margin ±5%
 Noise level margin + 3... 5 dB
 Margin of kW absorbed ±3%

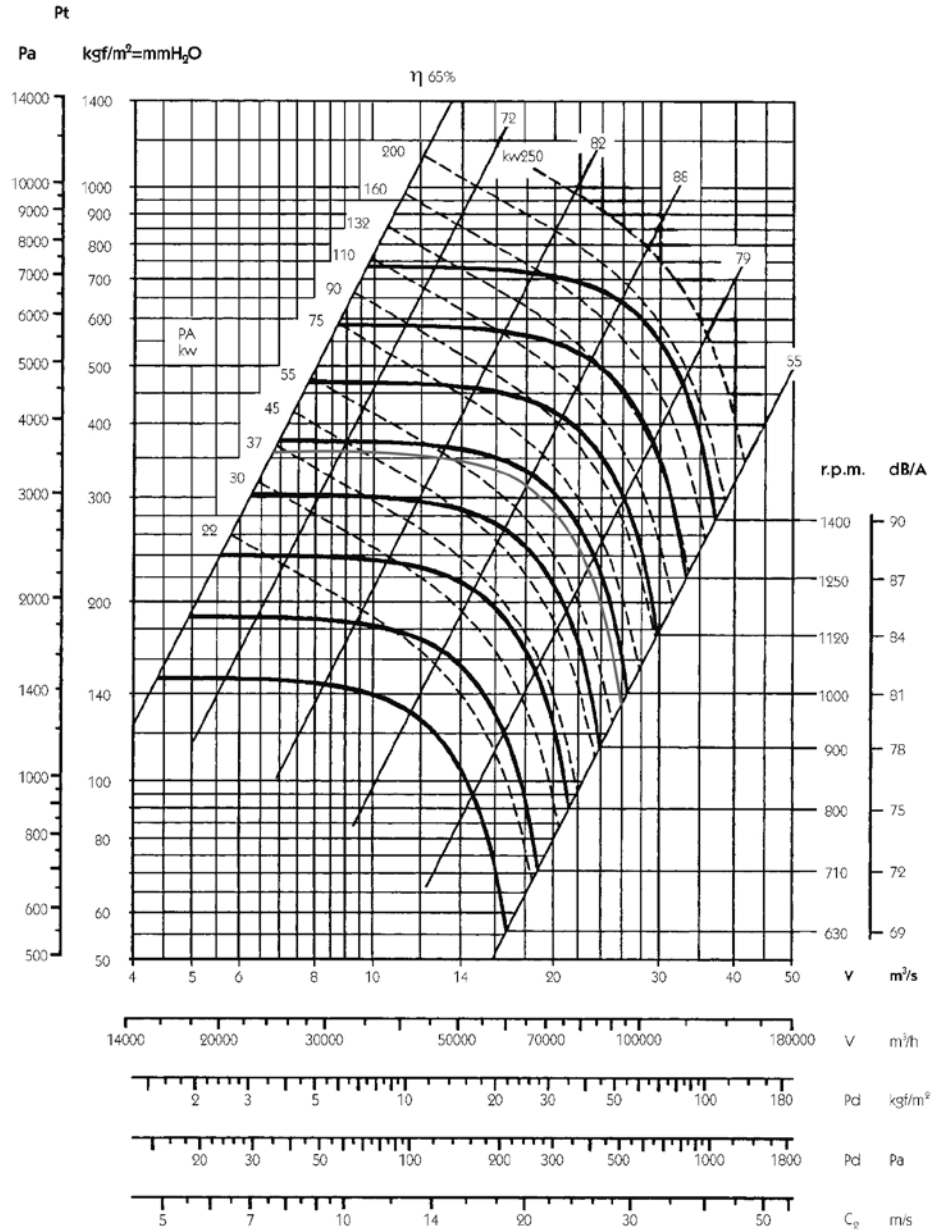
Outlet characteristics.

Maximum admissible Rpm

Class 1	
≤ 100 °C	1600
101 ... 200 °C	1400
201 ... 300 °C	1250

Characteristic curves

CASB-X 1400



Flow margin ±5%
 Noise level margin + 3... 5 dB
 Margin of kW absorbed ±3%

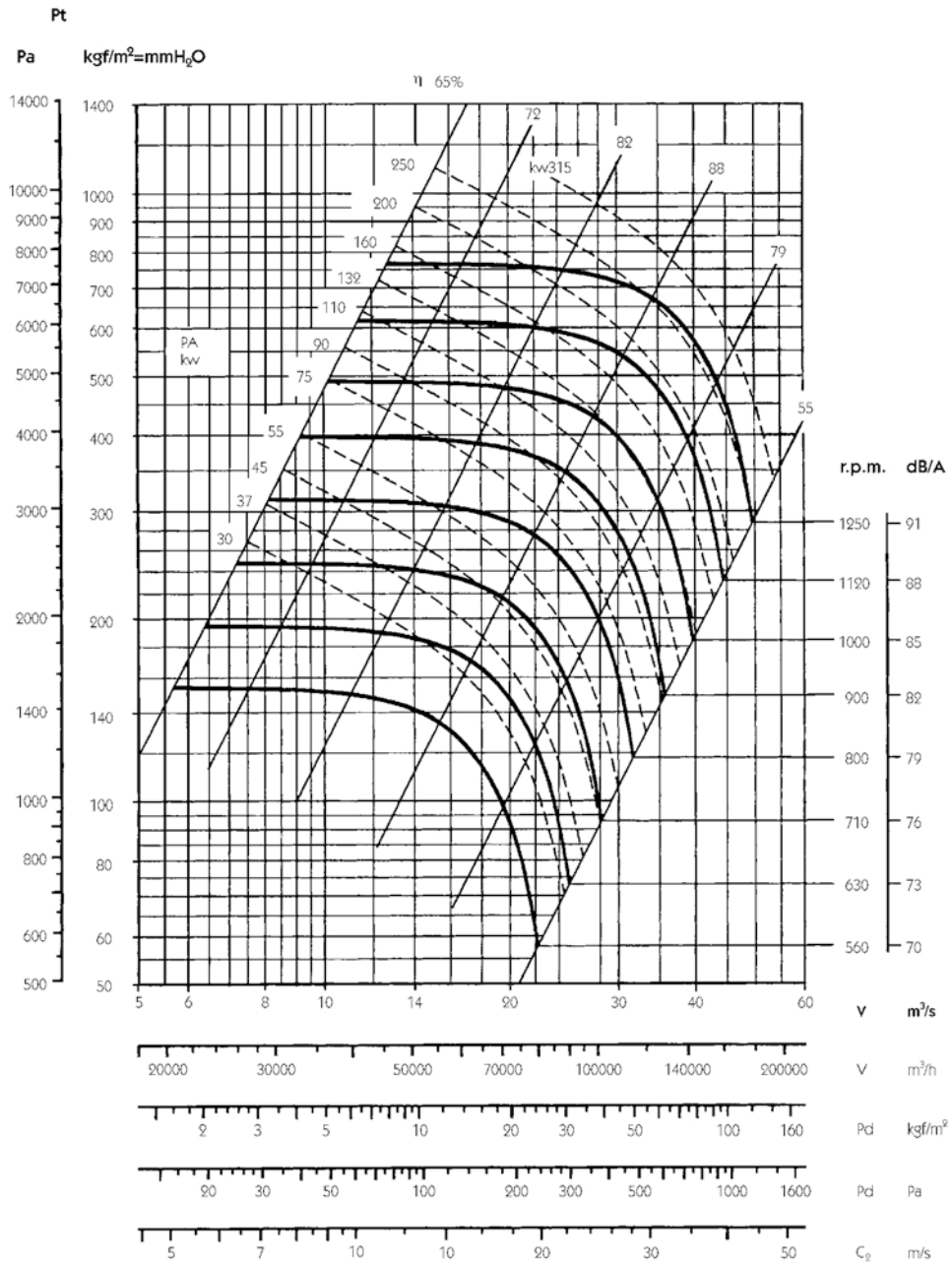
Outlet characteristics.

Maximum admissible Rpm

Class 1	
≤ 100 °C	1400
101 ... 200 °C	1250
201 ... 300 °C	1120

Characteristic curves

CASB-X 1600



LARGE SERIES

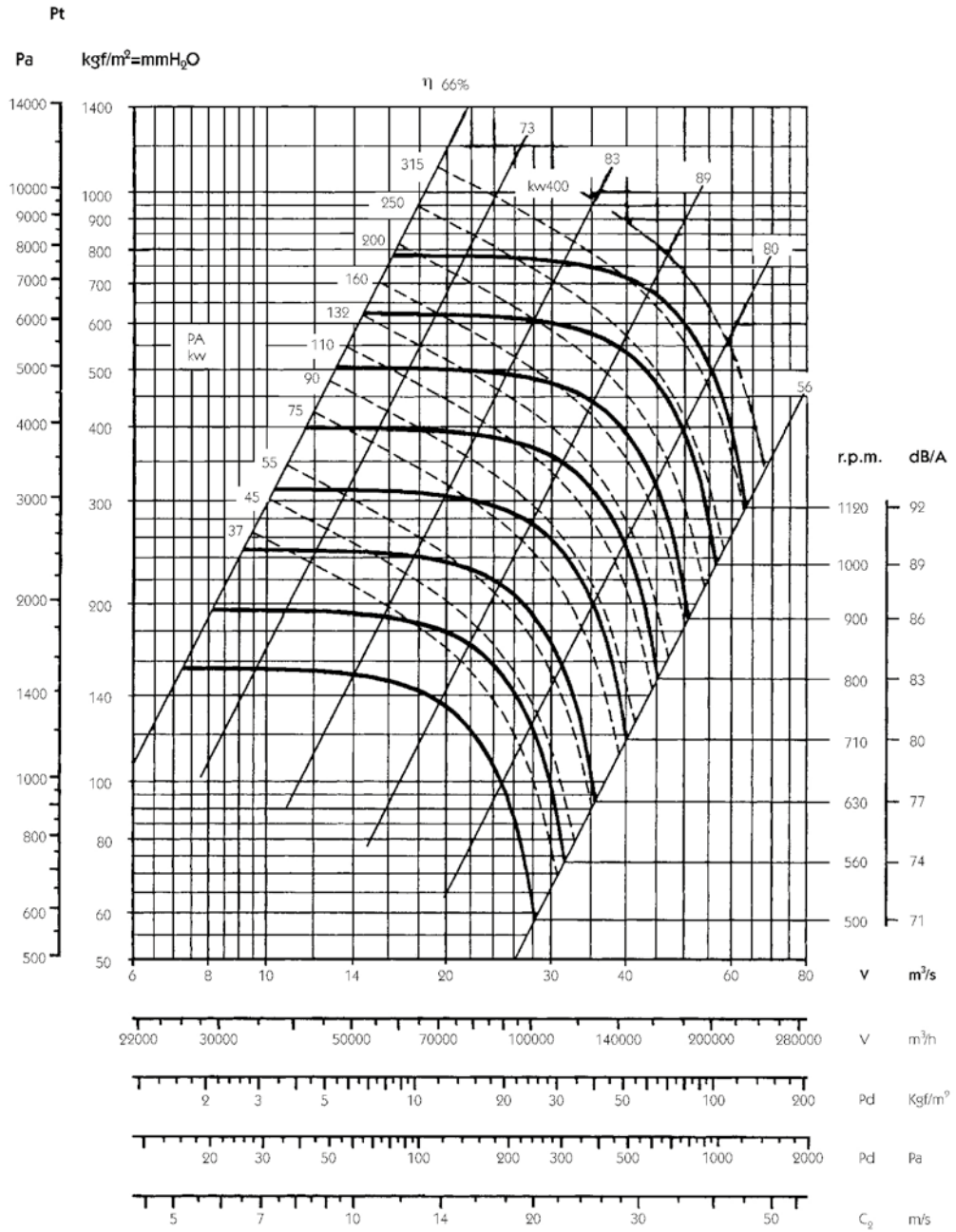
Flow margin ±5%
 Noise level margin + 3... 5 dB
 Margin of kW absorbed ±3%

Maximum admissible Rpm

Class 1	
≤ 100 °C	1250
101 ... 200 °C	1120
201 ... 300 °C	1000

Characteristic curves

CASB-X 1800



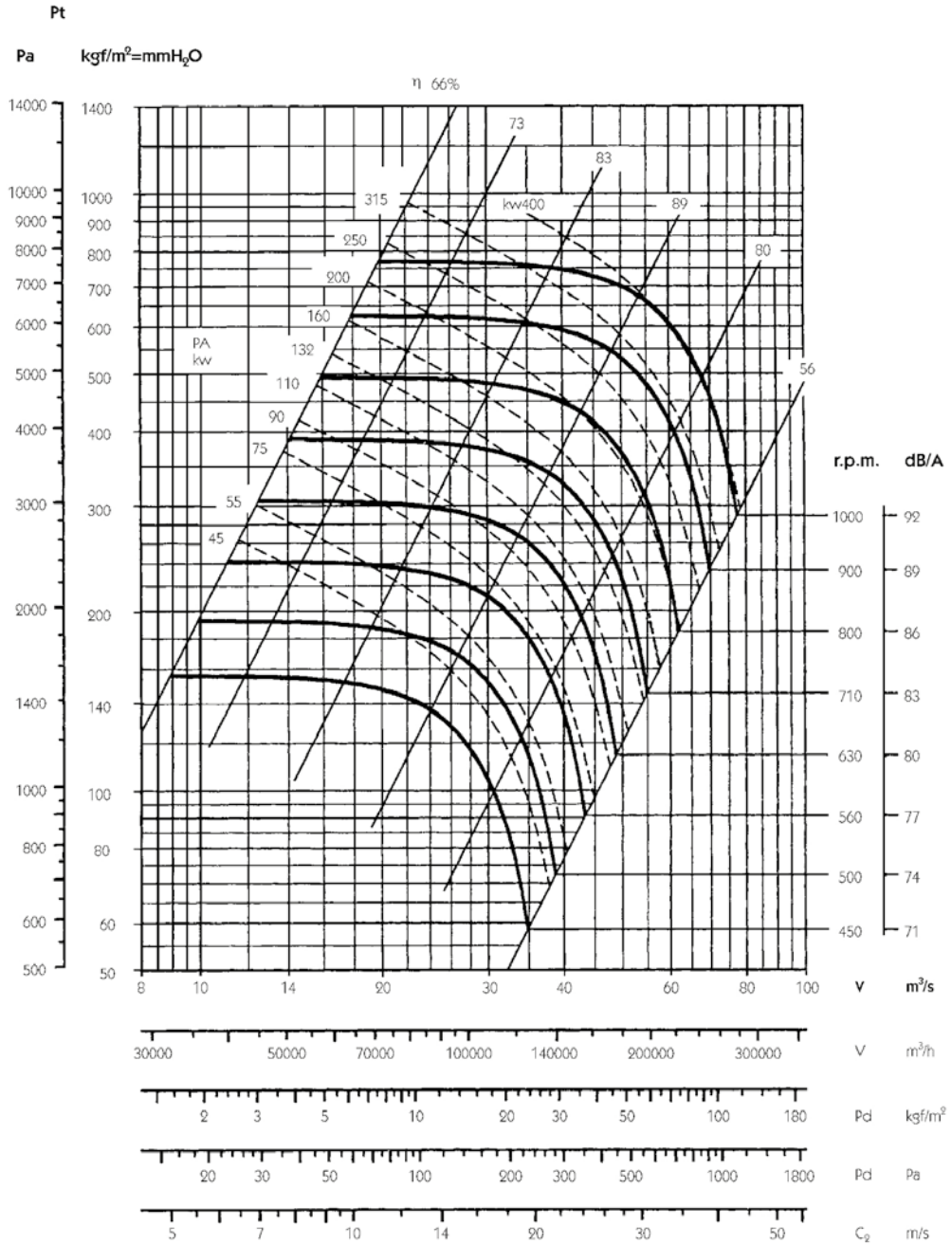
Flow margin ±5%
 Noise level margin + 3... 5 dB
 Margin of kW absorbed ±3%

Maximum admissible Rpm

Class 1	
≤ 100 °C	1120
101 ... 200 °C	1000
201 ... 300 °C	900

Characteristic curves

CASB-X 2000



LARGE SERIES

Flow margin ±5%
 Noise level margin + 3... 5 dB
 Margin of kW absorbed ±3%

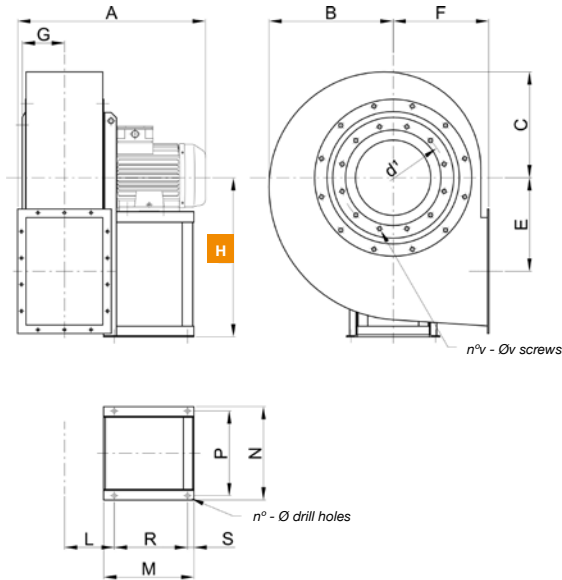
Maximum admissible Rpm

Class 1	
≤ 100 °C	1000
101 ... 200 °C	900
201 ... 300 °C	800

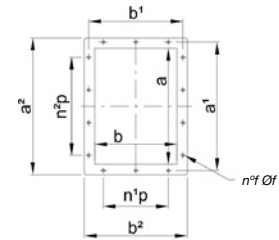
Dimensions mm

SYSTEM
4

CASB 350...500



OUTLET NOZZLE



ORIENTATIONS

H0	H1	H2	H3	H4	H5	H6	H7
RD0	RD45	RD90	RD135	RD180	RD225	RD270	RD315
LG0	LG45	LG90	LG135	LG180	LG225	LG270	LG315

H *The measurement of height H (distance between the ground and the axis) varies depending on the orientations

MOD.	FRAME	A*	B	C	E	F	G	H0-1-2-3	H4-5	H6-7	L	M*	N	P	R*	S
CASB 350	90 L/2	535	335	285	253	255	114	450	255	450	155	215	269	245	140	25
CASB 400	112 M/2	585	380	320	286	285	128	500	285	500	168	260	312	280	185	25
CASB 450	132 SB/2	700	425	360	321	320	143	560	320	560	182	320	342	310	245	25
CASB 500	160 MA/2	805	470	405	355	360	158	600	360	600	198	425	440	400	345	30
CASB 500	90 S/4	590	470	405	355	360	158	600	360	600	198	215	269	245	140	25

OUTLET NOZZLE

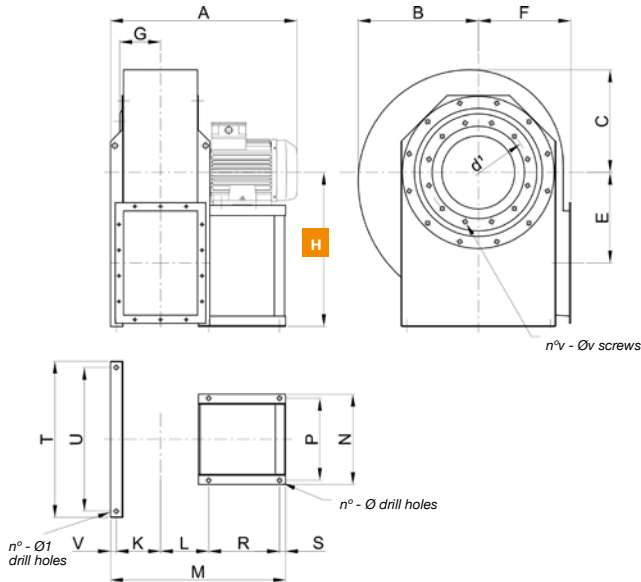
MOD.	n°	Ø	d ¹	n°v	Øv	a	b	a ¹	b ¹	a ²	b ²	n ¹ p	n ² p	n ¹ f	Øf	kg	WD ²
CASB 350	4	10	332	8	M8	288	205	332	249	368	285	1-125	2-125	10	12	65	0.4
CASB 400	4	12	366	8	M8	322	229	366	273	402	309	1-125	2-125	10	12	110	0.75
CASB 450	4	12	405	8	M8	361	256	405	300	441	336	1-125	2-125	10	12	145	1.1
CASB 500	4	14	448	12	M8	404	288	448	332	484	368	2-125	3-125	14	12	220	2.2
CASB 500	4	10	448	12	M8	404	288	448	332	484	368	2-125	3-125	14	12	125	2.3

*For "HIGH TEMP." constructions, elevations "A-M-R" + 50 mm.
(kg) Weight of fan with motor.
WD² = Moment of inertia of the impeller, expressed in Kg x m²

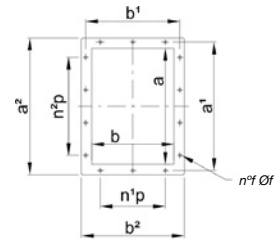
Dimensions mm

SYSTEM
4

CASB 560...630



OUTLET NOZZLE



ORIENTATIONS

H0	H1	H2	H3	H4	H5	H6	H7
RD0	RD45	RD90	RD135	RD180	RD225	RD270	RD315
LG0	LG45	LG90	LG135	LG180	LG225	LG270	LG315

H *The measurement of height H (distance between the ground and the axis) varies depending on the orientations

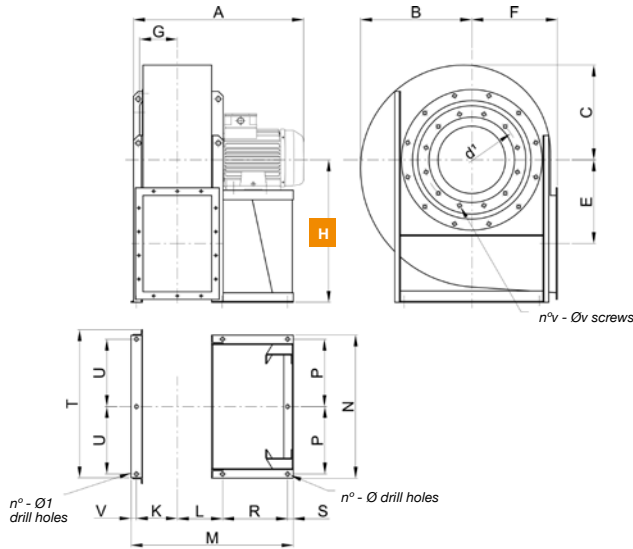
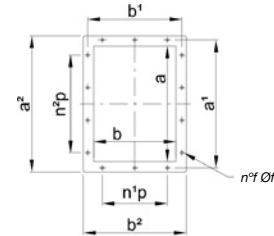
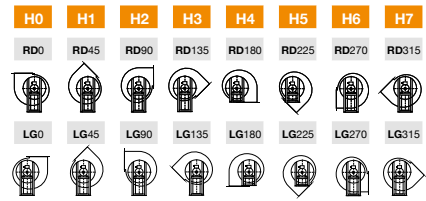
MOD.	FRAME	A*	B	C	E	F	G	HO-1-2-3	H4-5	H6-7	L	K	M*	N	P	R*	S	T
CASB 560/B	160 MB/2	870	525	445	390	400	179	670	400	670	214	196	808	440	400	345	30	690
CASB 560/A	160 L/2	950	525	445	390	400	179	670	400	670	214	196	808	440	400	345	30	690
CASB 560/A	100 LA/4	710	525	445	390	400	179	670	400	670	214	196	634	312	280	185	25	690
CASB 630/B	200 LA/2	1060	590	505	441	450	199	750	450	750	264	217	964	558	515	420	40	760
CASB 630/A	200 LB/2	1060	590	505	441	450	199	750	450	750	264	217	964	558	515	420	40	760
CASB 630/A	112 M/4	720	590	505	441	450	199	750	450	750	234	217	654	312	280	185	25	760

OUTLET NOZZLE

MOD.	U	V	n°	Ø	Ø¹	d¹	n°v	Øv	a	b	a¹	b¹	a²	b²	n¹p	n²p	n¹f	Øf	kg	WD²
CASB 560/B	630	23	4+2	14	17	497	12	M8	453	322	497	366	533	402	2-125	3-125	14	12	275	3.5
CASB 560/A	630	23	4+2	14	17	497	12	M8	453	322	497	366	533	402	2-125	3-125	14	12	285	3.8
CASB 560/A	630	23	4+2	12	17	497	12	M8	453	322	497	366	533	402	2-125	3-125	14	12	140	3.7
CASB 630/B	700	23	4+2	19	17	551	12	M8	507	361	551	405	587	441	2-125	3-125	14	12	370	5.4
CASB 630/A	700	23	4+2	19	17	551	12	M8	507	361	551	405	587	441	2-125	3-125	14	12	400	5.9
CASB 630/A	700	23	4+2	12	17	551	12	M8	507	361	551	405	587	441	2-125	3-125	14	12	170	5.7

*For "HIGH TEMP." constructions, elevations "A-M-R" + 50 mm.
(kg) Weight of fan with motor.
WD² = Moment of inertia of the impeller, expressed in Kg x m²

LARGE SERIES

Dimensions mm
CASB 710...1400

OUTLET NOZZLE

ORIENTATIONS


H *The measurement of height H (distance between the ground and the axis) varies depending on the orientations

MOD.	FRAME	A*	B	C	E	F	G	HO-1-2-3	H4-5	H6-7	L	K	M*	N	P	R*	S	T
CASB 710/B	132 S/4	890	670	570	500	500	221	670	500	850	251	243	793	831	385	230	40	920
CASB 710/A	132 MA/4	915	670	570	500	500	221	670	500	850	251	243	793	831	385	230	40	920
CASB 800/B	160 L/4	965	745	635	560	560	245	750	560	950	276	267	842	921	430	230	40	1000
CASB 800/A	160 L/4	1090	745	635	560	560	245	750	560	950	276	267	947	921	430	335	40	1000
CASB 800/A	132 MA/6	965	745	635	560	560	245	750	560	950	276	267	842	921	430	230	40	1000
CASB 900/B	180 M/4	1185	835	710	630	630	275	850	630	1060	303	297	1046	1021	480	380	40	1100
CASB 900/A	200 L/4	1245	835	710	630	630	275	850	630	1060	303	297	1116	1021	480	450	40	1100
CASB 900/A	160 M/6	1065	835	710	630	630	275	850	630	1060	303	297	1001	1021	480	335	40	1100
CASB 1000/B	225 S/4	1365	930	795	710	710	306	950	710	1180	334	323	1198	1120	530	450	50	1230
CASB 1000/A	225 M/4	1365	930	795	710	710	306	950	710	1180	334	323	1198	1120	530	450	50	1230
CASB 1000/B	160 L/6	1215	930	795	710	710	306	950	710	1180	334	323	1073	1120	530	325	50	1230
CASB 1000/A	180 L/6	1255	930	795	710	710	306	950	710	1180	334	323	1118	1120	530	370	50	1230
CASB 1120/B	250 M/4	1530	1045	895	800	800	340	1060	800	1320	398	365	1357	1260	590	490	50	1370
CASB 1120/A	280 S/4	1655	1045	895	800	800	340	1060	800	1320	398	365	1477	1260	590	610	50	1370
CASB 1120/B	200 LR/6	1405	1045	895	800	800	340	1060	800	1320	398	365	1277	1260	590	410	50	1370
CASB 1120/A	200 L/6	1405	1045	895	800	800	340	1060	800	1320	398	365	1277	1260	590	410	50	1370
CASB 1250/B	315 S/4	1750	1175	1005	900	900	385	1180	900	1500	437	403	1614	1390	650	670	50	1540
CASB 1250/A	315 MA/4	1750	1175	1005	900	900	385	1180	900	1500	437	403	1614	1390	650	670	50	1540
CASB 1250/B	225 M/6	1530	1175	1005	900	900	385	1180	900	1500	437	403	1364	1390	650	420	50	1540
CASB 1250/A	250 M/6	1605	1175	1005	900	900	385	1180	900	1500	437	403	1434	1390	650	490	50	1540
CASB 1400/B	280 S/6	1815	1305	1115	1000	1000	430	1320	1000	1700	500	446	1640	1530	725	580	60	1690
CASB 1400/A	315 S/6	1835	1305	1115	1000	1000	430	1320	1000	1700	500	446	1700	1530	725	640	60	1690

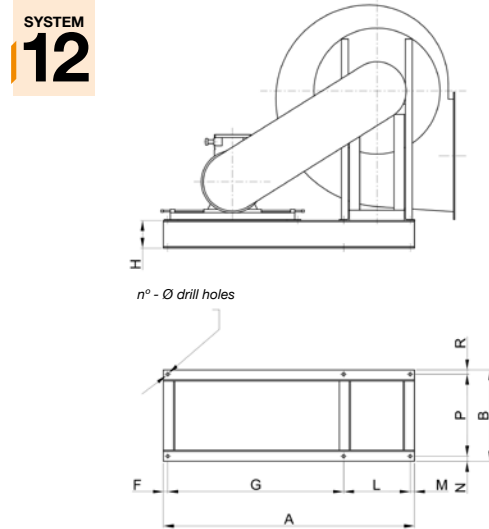
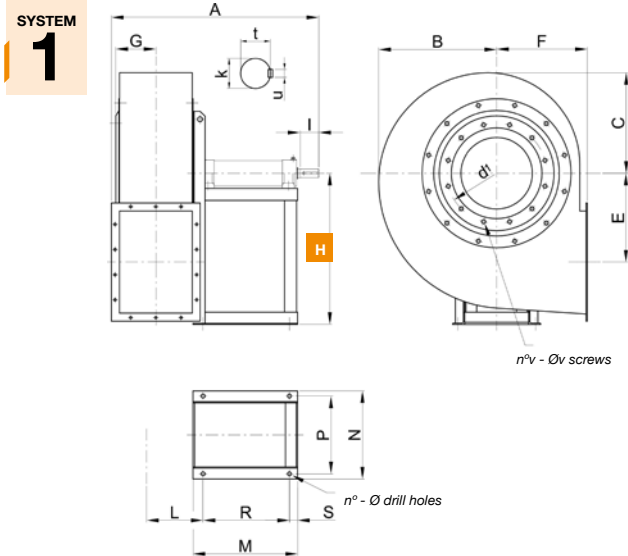
OUTLET NOZZLE

MOD.	U	V	n°	Ø	Ø'	d'	n°v	Øv	a	b	a'	b'	a²	b²	n°p	n°p	n°f	øf	kg	WD²
CASB 710/B	385	29	5+3	19	19	629	12	M8	569	404	629	464	669	504	2-160	3-160	14	14	270	10.1
CASB 710/A	385	29	5+3	19	19	629	12	M8	569	404	629	464	669	504	2-160	3-160	14	14	280	11
CASB 800/B	430	29	5+3	19	19	698	12	M10	638	453	698	513	738	553	2-160	3-160	14	14	330	17.2
CASB 800/A	430	29	5+3	19	19	698	12	M10	638	453	698	513	738	553	2-160	3-160	14	14	405	19.1
CASB 800/A	430	29	5+3	19	19	698	12	M10	638	453	698	513	738	553	2-160	3-160	14	14	330	18.6
CASB 900/B	480	26	5+3	19	19	775	16	M10	715	507	775	567	815	607	2-160	4-160	16	14	420	33
CASB 900/A	480	26	5+3	19	19	775	16	M10	715	507	775	567	815	607	2-160	4-160	16	14	660	36
CASB 900/A	480	26	5+3	19	19	775	16	M10	715	507	775	567	815	607	2-160	4-160	16	14	490	35.5
CASB 1000/B	530	41	5+3	19	19	861	16	M10	801	569	871	639	921	689	2-200	3-200	14	14	750	70
CASB 1000/A	530	41	5+3	19	19	861	16	M10	801	569	871	639	921	689	2-200	3-200	14	14	765	76
CASB 1000/B	530	41	5+3	19	19	861	16	M10	801	569	871	639	921	689	2-200	3-200	14	14	620	65
CASB 1000/A	530	41	5+3	19	19	861	16	M10	801	569	871	639	921	689	2-200	3-200	14	14	640	70
CASB 1120/B	590	54	5+3	24	24	958	16	M10	898	638	968	708	1018	758	3-200	4-200	18	14	1150	89
CASB 1120/A	590	54	5+3	24	24	958	16	M10	898	638	968	708	1018	758	3-200	4-200	18	14	1200	95
CASB 1120/B	590	54	5+3	24	24	958	16	M10	898	638	968	708	1018	758	3-200	4-200	18	14	960	84
CASB 1120/A	590	54	5+3	24	24	958	16	M10	898	638	968	708	1018	758	3-200	4-200	18	14	990	89
CASB 1250/B	655	54	5+3	24	24	1067	24	M10	1007	715	1077	785	1127	835	3-200	4-200	18	14	1480	148
CASB 1250/A	655	54	5+3	24	24	1067	24	M10	1007	715	1077	785	1127	835	3-200	4-200	18	14	1550	170
CASB 1250/B	655	54	5+3	24	24	1067	24	M10	1007	715	1077	785	1127	835	3-200	4-200	18	14	1200	138
CASB 1250/A	655	54	5+3	24	24	1067	24	M10	1007	715	1077	785	1127	835	3-200	4-200	18	14	1330	160
CASB 1400/B	725	54	5+3	24	24	1200	24	M10	1130	801	1210	881	1270	941	3-200	5-200	20	18	1850	255
CASB 1400/A	725	54	5+3	24	24	1200	24	M10	1130	801	1210	881	1270	941	3-200	5-200	20	18	1950	268

*For "HIGH TEMP." constructions, elevations "A-M-R" + 50 mm.
 (kg) Weight of fan with motor.
 WD² = Moment of inertia of the impeller, expressed in Kg x m²

Dimensions mm

CASB-X 250...500



MOD.	A*	B	C	E	F	G	H0	H1	H2	H3
CASB 250	465	240	210	175	195	86	315	315	315	315
CASB 280	560	265	225	202	200	95	375	375	375	375
CASB 310	580	300	255	229	225	105	400	400	400	400
CASB 350	805	335	285	253	255	114	450	450	450	450
CASB 400	930	380	320	286	285	128	500	500	500	500
CASB 450	960	425	360	321	320	143	560	560	560	560
CASB 500	1000	470	405	355	360	158	600	600	600	600

MOD.	A	B*	H	F	G	L	M	N	P*
CASB 250	700	185	80	15	480	190	15	20	145
CASB 280	895	265	100	20	630	230	15	25	215
CASB 310	895	265	100	20	630	230	15	25	215
CASB 350	980	450	120	20	630	310	20	25	400
CASB 400	1020	530	120	20	650	330	20	25	480
CASB 450	1175	530	120	25	800	330	20	25	480
CASB 500	1265	495	160	25	830	385	25	30	430

MOD.	H4	H5	H6	H7	L	M*	N	P	R*	S
CASB 250	195	195	315	315	126	220	214	190	145	25
CASB 280	200	200	375	375	135	290	254	230	215	25
CASB 310	225	225	400	400	144	290	254	230	215	25
CASB 350	255	255	450	450	155	480	350	310	400	30
CASB 400	285	285	500	500	168	560	370	330	480	30
CASB 450	320	320	560	560	182	560	370	330	480	30
CASB 500	360	360	600	600	198	520	438	385	430	40

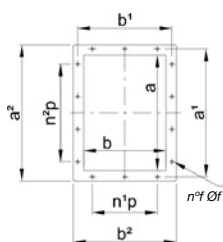
MOD.	R	N°	Φ	kg
CASB 250	20	6	10	19
CASB 280	25	6	12	30
CASB 310	25	6	12	30
CASB 350	25	6	14	45
CASB 400	25	6	14	50
CASB 450	25	6	14	55
CASB 500	35	6	17	78

MOD.	n°	Φ	k	l	t	u	d ¹	n°v	Φv	kg	WD ²
CASB 250	4	10	19k6	40	21.5	6	241	8	M6	25	0.1
CASB 280	4	12	24k6	50	27	8	265	8	M6	35	0.15
CASB 310	4	12	24k6	50	27	8	292	8	M8	40	0.25
CASB 350	4	14	28k6	60	31	8	332	8	M8	70	0.4
CASB 400	4	14	38k6	80	41	10	366	8	M8	80	0.75
CASB 450	4	14	38k6	80	41	10	405	8	M8	100	1.1
CASB 500	4	17	42k6	110	45	12	448	12	M8	140	2.2

(*) For "HIGH TEMP." constructions in models 250 to 500, elevations "B-P" + 50 mm.
Kg = Weight of the support base

(*) For "HIGH TEMP." constructions in models 250 to 500, elevations "A-M-R" + 50 mm.
kg = Weight of fan without motor.
WD² = Moment of inertia of the impeller, expressed in Kg x m²

OUTLET NOZZLE



OUTLET NOZZLE

MOD.	a	b	a ¹	b ¹	a ²	b ²	n°p	n°p	n°f	Φf
CASB 250	205	146	241	182	275	216	1-112	1-112	8	12
CASB 280	229	164	265	200	299	234	1-112	1-112	8	12
CASB 310	256	183	292	219	326	253	1-112	2-112	10	12
CASB 350	288	205	332	249	368	285	1-125	2-125	10	12
CASB 400	322	229	366	273	402	309	1-125	2-125	10	12
CASB 450	361	256	405	300	441	336	1-125	2-125	10	12
CASB 500	404	288	448	332	484	368	2-125	3-125	14	12

ORIENTATIONS

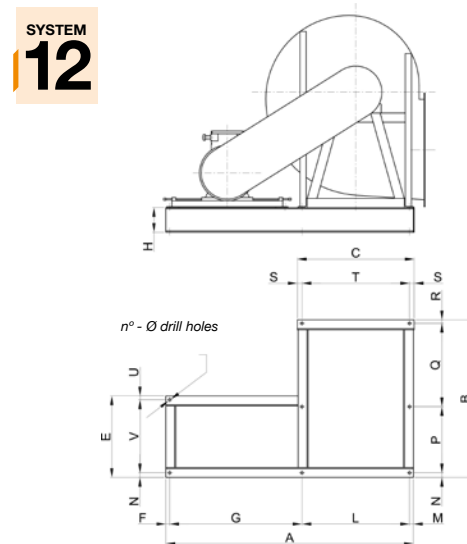
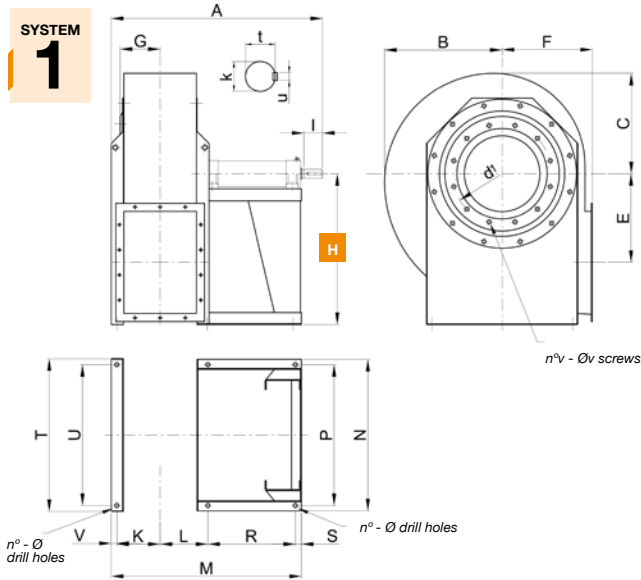
H0	H1	H2	H3	H4	H5	H6	H7
RD0	RD45	RD90	RD135	RD180	RD225	RD270	RD315
LG0	LG45	LG90	LG135	LG180	LG225	LG270	LG315

H *The measurement of height H (distance between the ground and the axis) varies depending on the orientations

LARGE SERIES

Dimensions mm

CASB-X 560...630



MOD.	A*	B	C	E	F	G	H0	H1	H2
CASB 560	1055	525	445	390	400	179	670	670	670
CASB 630	1095	590	505	441	450	199	750	750	750

MOD.	A	B*	C	E	H	F	G	L	M	N	P*
CASB 560	1415	893	690	510	160	25	735	630	25	30	430
CASB 630	1610	933	760	530	160	25	860	700	25	30	430

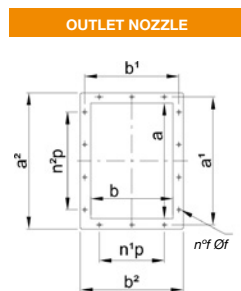
MOD.	H3	H4	H5	H6	H7	L	K	M*	N
CASB 560	670	400	400	670	670	214	196	903	683
CASB 630	750	450	450	750	750	233	217	943	753

MOD.	Q	R	S	T	U	V	N°	Φ	kg
CASB 560	410	23	30	630	25	455	8	17	105
CASB 630	450	23	30	700	25	475	8	17	115

MOD.	P	R*	S	T	U	V	n°	Φ	k
CASB 560	630	430	40	690	630	23	4+2	17	48k6
CASB 630	700	430	40	760	700	23	4+2	17	48k6

MOD.	l	t	u	d'	n°v	Φv	kg	WD ²
CASB 560	110	51.5	14	497	12	M8	170	3.8
CASB 630	110	51.5	14	551	12	M8	200	5.6

(*) For "HIGH TEMP." constructions in models 560 to 630, elevations "A-M-R" + 50 mm.
 kg = Weight of fan without motor.
 WD² = Moment of inertia of the impeller, expressed in Kg x m²



OUTLET NOZZLE

MOD.	a	b	a'	b'	a''	b''	n°p	n°p	n°f	Φf
CASB 560	453	322	497	366	533	402	2-125	3-125	14	12
CASB 630	507	361	551	405	587	441	2-125	3-125	14	12

ORIENTATIONS

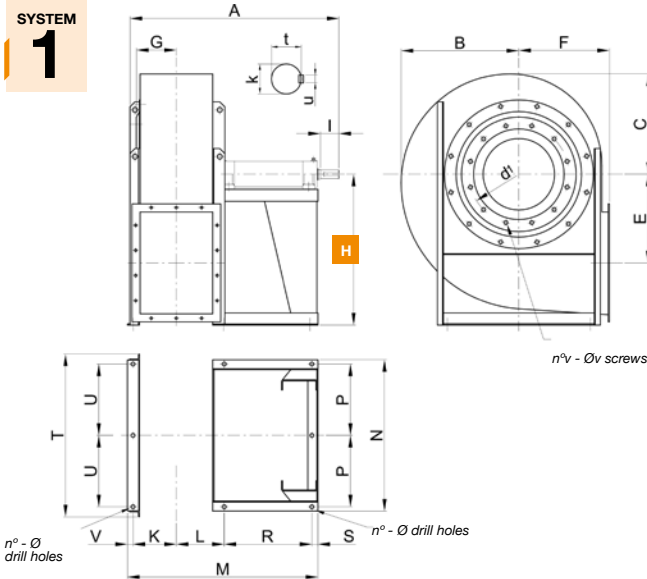
H0	H1	H2	H3	H4	H5	H6	H7
RD0	RD45	RD90	RD135	RD180	RD225	RD270	RD315
LG0	LG45	LG90	LG135	LG180	LG225	LG270	LG315

H *The measurement of height H (distance between the ground and the axis) varies depending on the orientations

Dimensions mm

CASB-X 710...2000

SYSTEM 1



MOD.	A*	B	C	E	F	G	H0	H1	H2	H3
CASB 710	1235	670	570	500	500	221	670	670	670	670
CASB 800	1335	745	635	560	560	245	750	750	750	750
CASB 900	1390	835	710	630	630	275	850	850	850	850
CASB 1000	1545	930	795	710	710	306	950	950	950	950
CASB 1120	1820	1045	895	800	800	340	1060	1060	1060	1060
CASB 1250	1895	1175	1005	900	900	385	1180	1180	1180	1180
CASB 1400	2060	1305	1115	1000	1000	430	1320	1320	1120	1120
CASB 1600	2350	1535	1245	1120	1120	480	1500	1500	1250	1250
CASB 1800	2530	1705	1390	1250	1250	515	1650	1550	1400	1320
CASB 2000	2650	1920	1555	1400	1400	575	1850	1700	1600	1450

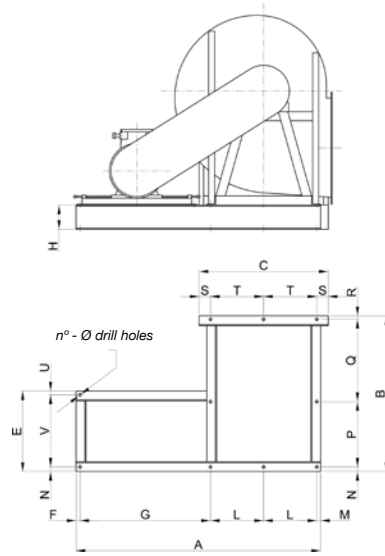
MOD.	H4	H5	H6	H7	L	K	M*	N	P	R*
CASB 710	500	500	850	850	251	243	1078	831	385	515
CASB 800	560	560	950	950	276	267	1177	921	430	565
CASB 900	630	630	1060	1060	303	297	1231	1021	480	565
CASB 1000	710	710	1180	1180	334	323	1353	1120	530	605
CASB 1120	800	800	1320	1320	398	365	1627	1260	590	760
CASB 1250	900	900	1500	1500	437	403	1704	1390	655	760
CASB 1400	1000	1000	1700	1500	500	446	1840	1530	725	780
CASB 1600	1120	1120	1900	1600	568	505	2117	1720	820	920
CASB 1800	1250	1250	2120	1800	623	569	2226	1910	915	920
CASB 2000	1400	1400	2360	2000	684	631	2379	2110	1015	920

MOD.	S	T	U	V	n°	Φ	k	l	t	u
CASB 710	40	920	385	29	5+3	19	48k6	110	51.5	14
CASB 800	40	1000	430	29	5+3	19	55m6	110	59	16
CASB 900	40	1100	480	26	5+3	19	55m6	110	59	16
CASB 1000	50	1230	530	41	5+3	19	65 m6	140	69	18
CASB 1120	50	1370	590	54	5+3	24	75m6	140	79.5	20
CASB 1250	50	1540	655	54	5+3	24	75m6	140	79.5	20
CASB 1400	60	1690	725	54	5+3	24	80m6	170	85	22
CASB 1600	60	1950	820	64	5+3	28	90m6	170	95	25
CASB 1800	60	2150	915	54	5+3	28	100j6	210	106	28
CASB 2000	60	2390	1015	84	5+3	28	100j6	210	106	28

MOD.	d ¹	n°v	Φv	kg	WD ²
CASB 710	629	12	M8	280	11.3
CASB 800	698	12	M8	350	19.1
CASB 900	775	16	M10	400	36
CASB 1000	861	16	M10	520	72
CASB 1120	958	16	M10	850	91
CASB 1250	1067	24	M10	1050	160
CASB 1400	1200	24	M10	1500	264
CASB 1600	1337	24	M10	1950	476
CASB 1800	1491	32	M10	2800	800
CASB 2000	1663	32	M12	3500	1250

(1) For "HIGH TEMP." constructions in models 710 to 900, elevations "A-M-R" + 50 mm.
kg = Weight of fan without motor.
WD² = Moment of inertia of the impeller, expressed in Kg x m²

SYSTEM 12

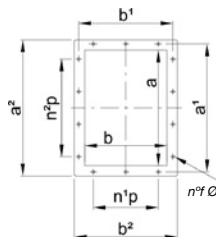


MOD.	A	B*	C	E	H	F	G	L	M	N	P*	Q
CASB 710	1980	1072	920	690	180	30	1150	385	30	30	515	497
CASB 800	2070	1166	1000	690	180	30	1150	430	30	30	565	543
CASB 900	2200	1224	1100	750	180	30	1180	480	30	30	565	600
CASB 1000	2300	1329	1230	755	180	30	1180	530	30	35	605	657
CASB 1120	2470	1592	1370	830	180	35	1220	590	35	35	760	763
CASB 1250	2600	1667	1540	830	180	35	1220	655	35	35	760	840
CASB 1400	3150	1794	1690	990	180	35	1630	725	35	35	780	946
CASB 1600	3340	2063	1950	990	180	35	1630	820	35	35	920	1073
CASB 1800	3600	2185	2150	1100	180	35	1700	915	35	35	920	1192
CASB 2000	3800	2309	2390	1100	180	35	1700	1015	35	35	920	1315

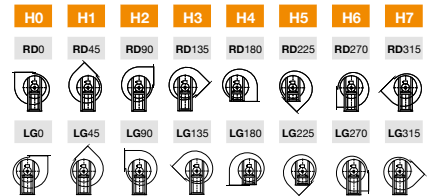
MOD.	R	S	T	U	V	N°	Φ	kg
CASB 710	30	75	385	30	630	10	19	167
CASB 800	28	70	430	30	630	10	19	175
CASB 900	29	70	480	30	690	10	19	190
CASB 1000	32	85	530	30	690	10	19	200
CASB 1120	34	95	590	35	760	10	24	295
CASB 1250	32	115	655	35	760	10	24	310
CASB 1400	33	120	725	35	920	10	24	365
CASB 1600	35	155	820	35	920	10	28	390
CASB 1800	38	160	915	35	1030	10	28	475
CASB 2000	39	180	1015	35	1030	10	28	500

(*) For "HIGH TEMP." constructions in models 710 to 900, elevations "B-P" + 50 mm.
Kg = Weight of the support base

OUTLET NOZZLE



ORIENTATIONS



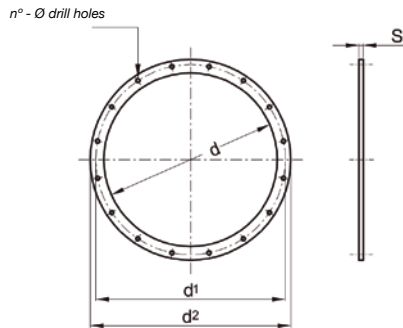
H The measurement of height H (distance between the ground and the axis) varies depending on the orientations

OUTLET NOZZLE

MOD.	a	b	a ¹	b ¹	a ²	b ²	n°p	n°p	n°f	Φf
CASB 710	569	404	629	464	669	504	2-160	3-160	14	14
CASB 800	638	453	698	513	738	553	2-160	3-160	14	14
CASB 900	715	507	775	567	815	607	2-160	4-160	16	14
CASB 1000	801	569	871	639	921	689	2-200	3-200	14	14
CASB 1120	898	638	968	708	1018	758	3-200	4-200	18	14
CASB 1250	1007	715	1077	785	1127	835	3-200	4-200	18	14
CASB 1400	1130	801	1210	881	1270	941	3-200	5-200	20	18
CASB 1600	1267	898	1347	978	1407	1038	4-200	6-200	24	18
CASB 1800	1421	1007	1501	1087	1561	1147	4-200	6-200	24	18
CASB 2000	1593	1130	1683	1220	1753	1290	5-200	7-200	28	22

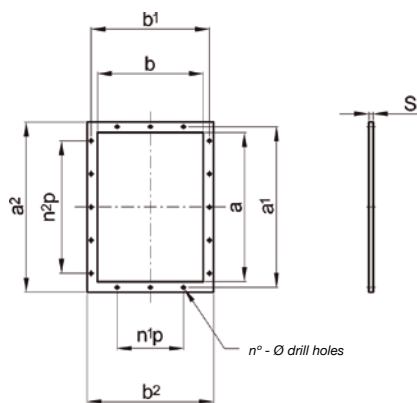
Accessories

Inlet counter flange



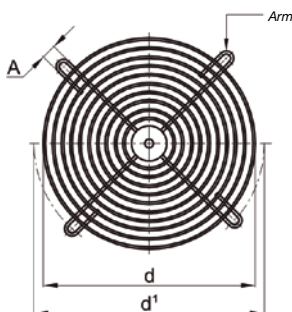
MOD.	d	d'	d''	n°	Φ	s	kg
CASB 250	205	241	275	8	9	4	0.75
CASB 280	229	265	299	8	9	4	0.8
CASB 310	255	292	325	8	11	4	1
CASB 350	286	332	366	8	11	5	1.6
CASB 400	321	366	401	8	11	5	1.8
CASB 450	361	405	441	8	11	5	2
CASB 500	406	448	486	12	11	5	2.2
CASB 560	456	497	536	12	11	5	2.5
CASB 630	506	551	586	12	11	5	2.7
CASB 710	568	629	668	12	11	6	4.6
CASB 800	638	698	738	12	11	6	5
CASB 900	718	775	818	16	13	6	5.5
CASB 1000	808	861	908	16	13	6	6.2
CASB 1120	908	958	1008	16	13	6	7
CASB 1250	1008	1067	1108	24	13	6	7.8
CASB 1400	1130	1200	1250	24	13	8	14
CASB 1600	1260	1337	1380	24	13	8	15.5
CASB 1800	1410	1491	1530	32	13	8	17
CASB 2000	1610	1663	1730	32	15	8	19.5

Impulsion counter-flange



MOD.	a	b	a'	b'	a²	b²	n¹p	n²p	n°	Φ	s	kg
CASB 250	205	146	241	182	275	216	1-112	1-112	8	12	4	0.9
CASB 280	229	164	265	200	299	234	1-112	1-112	8	12	4	1
CASB 310	256	183	292	219	326	253	1-112	2-112	10	12	4	1.1
CASB 350	288	205	332	249	368	285	1-125	2-125	10	12	5	1.8
CASB 400	322	229	366	273	402	309	1-125	2-125	10	12	5	2
CASB 450	361	256	405	300	441	336	1-125	2-125	10	12	5	2.2
CASB 500	404	288	448	332	484	368	2-125	3-125	14	12	5	2.4
CASB 560	453	322	497	366	533	402	2-125	3-125	14	12	5	2.7
CASB 630	507	361	551	405	587	441	2-125	3-125	14	12	5	3
CASB 710	569	404	629	464	669	504	2-160	3-160	14	14	6	5
CASB 800	638	453	698	513	738	553	2-160	3-160	14	14	6	5.6
CASB 900	715	507	775	567	815	607	2-160	4-160	16	14	8	6.2
CASB 1000	801	569	871	639	921	689	2-200	3-200	14	14	8	11.2
CASB 1120	898	638	968	708	1018	758	3-200	4-200	18	14	8	12.5
CASB 1250	1007	715	1077	785	1127	835	3-200	4-200	18	14	8	14
CASB 1400	1130	801	1210	881	1270	941	3-200	5-200	20	18	8	18
CASB 1600	1267	898	1347	978	1407	1038	4-200	6-200	24	18	8	20
CASB 1800	1421	1007	1501	1087	1561	1147	4-200	6-200	24	18	8	22.3
CASB 2000	1593	1130	1683	1220	1753	1290	5-200	7-200	28	22	8	28.5

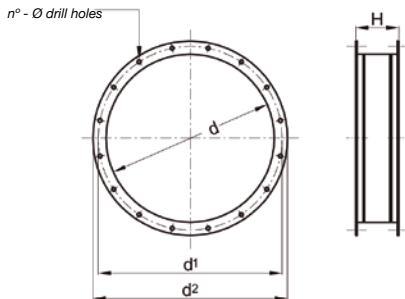
Inlet protection mesh



MOD.	d	d'	A	n°	kg
CASB 250	205	241	9	4	0.2
CASB 280	229	265	9	4	0.25
CASB 310	255	292	11	4	0.3
CASB 350	286	332	11	4	0.35
CASB 400	321	366	11	4	0.4
CASB 450	361	405	11	8	0.7
CASB 500	406	448	11	8	0.8
CASB 560	456	497	11	8	0.9
CASB 630	506	551	11	8	1
CASB 710	568	629	11	8	1.2
CASB 800	638	698	11	8	1.5
CASB 900	718	775	13	8	2
CASB 1000	808	861	13	8	2.5
CASB 1120	908	958	13	8	3
CASB 1250	1008	1067	13	8	3.5
CASB 1400	1130	1200	13	8	4
CASB 1600	1260	1337	13	8	4.5
CASB 1800	1410	1491	13	8	5
CASB 2000	1610	1663	15	8	5.5

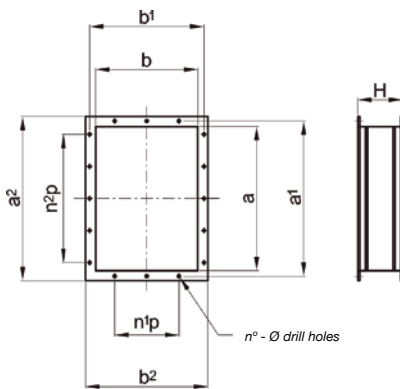
Accessories

Inlet anti-vibration seal



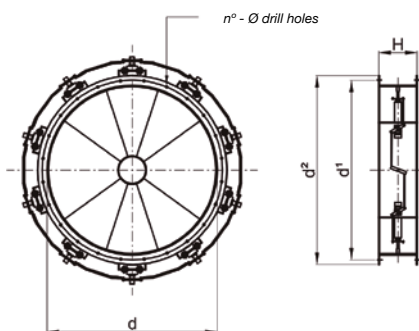
MOD.	d	d'	d''	n°	Φ	H	kg
CASB 250	205	241	275	8	9	200	1.8
CASB 280	229	265	299	8	9	200	2
CASB 310	255	292	325	8	11	200	2.2
CASB 350	286	332	366	8	11	200	3.4
CASB 400	321	366	401	8	11	200	3.8
CASB 450	361	405	441	8	11	200	4.2
CASB 500	406	448	486	12	11	200	4.6
CASB 560	456	497	536	12	11	200	5.1
CASB 630	506	551	586	12	11	200	5.6
CASB 710	568	629	668	12	11	200	9.4
CASB 800	638	698	738	12	11	200	10.4
CASB 900	718	775	818	16	13	200	11.6
CASB 1000	808	861	908	16	13	200	13
CASB 1120	908	958	1008	16	13	200	14.4
CASB 1250	1008	1067	1108	24	13	200	16
CASB 1400	1130	1200	1250	24	13	200	28.5
CASB 1600	1260	1337	1380	24	13	200	31.5
CASB 1800	1410	1491	1530	32	13	200	34.5
CASB 2000	1610	1663	1730	32	15	200	39.5

Impulsion anti-vibration seal



MOD.	a	b	a'	b'	a''	b''	n°p	n°p	n°	Φ	H	kg
CASB 250	205	146	241	182	275	216	1-112	1-112	8	12	200	2
CASB 280	229	164	265	200	299	234	1-112	1-112	8	12	200	2.2
CASB 310	256	183	292	219	326	253	1-112	2-112	10	12	200	2.4
CASB 350	288	205	332	249	368	285	1-125	2-125	10	12	200	3.8
CASB 400	322	229	366	273	402	309	1-125	2-125	10	12	200	4.2
CASB 450	361	256	405	300	441	336	1-125	2-125	10	12	200	4.6
CASB 500	404	288	448	332	484	368	2-125	3-125	14	12	200	5
CASB 560	453	322	497	366	533	402	2-125	3-125	14	12	200	5.6
CASB 630	507	361	551	401	587	441	2-125	3-125	14	12	200	6.2
CASB 710	569	404	629	464	669	504	2-160	3-160	14	14	200	10.2
CASB 800	638	453	698	513	738	553	2-160	3-160	14	14	200	11.4
CASB 900	715	507	775	567	815	607	2-160	4-160	16	14	200	12.6
CASB 1000	801	569	871	639	921	689	2-200	3-200	14	14	200	23
CASB 1120	898	638	968	708	1018	758	3-200	4-200	18	14	200	25.5
CASB 1250	1007	715	1077	785	1127	835	3-200	4-200	18	14	200	28.5
CASB 1400	1130	801	1210	881	1270	941	3-200	5-200	20	18	200	37
CASB 1600	1267	898	1347	978	1407	1038	4-200	6-200	24	18	200	41
CASB 1800	1421	1007	1501	1087	1561	1147	4-200	6-200	24	18	200	45.5
CASB 2000	1593	1130	1683	1220	1753	1290	5-200	7-200	28	22	200	58

Flow regulator at the inlet

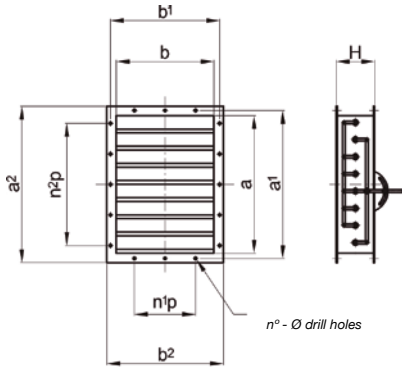


MOD.	d	d'	d''	n°	Φ	H	kg
CASB 400	321	366	401	8	11	200	24
CASB 450	361	405	441	8	11	250	26
CASB 500	406	448	486	12	11	250	30
CASB 560	456	497	536	12	11	250	32
CASB 630	506	551	586	12	11	250	45
CASB 710	568	629	668	12	11	250	50
CASB 800	638	698	738	12	11	300	58
CASB 900	718	775	818	16	13	300	68
CASB 1000	808	861	908	16	13	350	87
CASB 1120	908	958	1008	16	13	350	102
CASB 1250	1008	1067	1108	24	13	350	120
CASB 1400	1130	1200	1250	24	13	400	150
CASB 1600	1260	1337	1380	24	13	400	170
CASB 1800	1410	1491	1530	32	13	400	190
CASB 2000	1610	1663	1730	32	15	450	220

LARGE SERIES

Accessories

Opposing blades damper

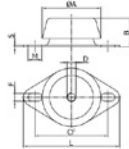


MOD.	a	b	a ¹	b ¹	a ²	b ²	n ¹ p	n ² p	n ⁰	Φ	H (1)	H (2)	kg (1)	kg (2)
CASB 400	322	229	366	273	402	309	1-125	2-125	10	12	220	250	11	12
CASB 450	361	256	405	300	441	336	1-125	2-125	10	12	220	250	14	15
CASB 500	404	288	448	332	484	368	2-125	3-125	14	12	220	250	18	19
CASB 560	453	322	497	366	533	402	2-125	3-125	14	12	220	250	21	22
CASB 630	507	361	551	405	587	441	2-125	3-125	14	12	220	250	24	25
CASB 710	569	404	629	464	669	504	2-160	3-160	14	14	220	250	28	29
CASB 800	638	453	698	513	738	553	2-160	3-160	14	14	220	250	32	33
CASB 900	715	507	775	567	815	607	2-160	4-160	16	14	220	250	36	38
CASB 1000	801	569	871	639	921	689	2-200	3-200	14	14	220	250	44	46
CASB 1120	898	638	968	708	1018	758	3-200	4-200	18	14	220	250	50	52
CASB 1250	1007	715	1077	785	1127	835	3-200	4-200	18	14	220	250	55	58
CASB 1400	1130	801	1210	881	1270	941	3-200	5-200	20	18	220	250	81	84
CASB 1600	1267	898	1347	978	1407	1038	4-200	6-200	24	18	220	250	92	96
CASB 1800	1421	1007	1501	1087	1561	1147	4-200	6-200	24	18	220	250	105	110
CASB 2000	1593	1130	1683	1220	1753	1290	5-200	7-200	28	22	220	250	140	145

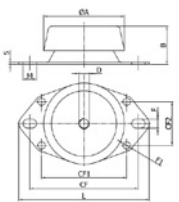
(1) Up to 300 mm H₂O
(2) Above 300 mm H₂O

Shock absorbers

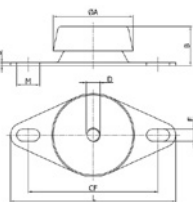
TYPE 1



TYPE 2

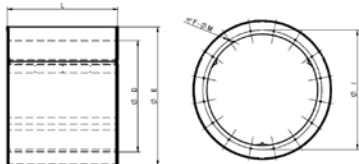


TYPE 3



MOD.	SHOCK-ABSORBERS MODEL	TYPE	øA	B	D	CF	CF1	CF2	F	øF1	L	M	S
CASB-250	CF 623110	1	67	33...34	10	76.5	-	-	9	-	90.5	16	2
CASB-280	CF 623110	1	67	33...34	10	76.5	-	-	9	-	90.5	16	2
CASB-310	CF 623110	1	67	33...34	10	76.5	-	-	9	-	90.5	16	2
CASB-350	CF 623110	1	67	33...34	10	76.5	-	-	9	-	90.5	16	2
CASB-400	CF 623110	1	67	33...34	10	76.5	-	-	9	-	90.5	16	2
CASB-450	CF 623110	1	67	33...34	10	76.5	-	-	9	-	90.5	16	2
CASB-500	CF 623110	1	67	33...34	10	76.5	-	-	9	-	90.5	16	2
CASB-560	CF 623110	1	67	33...34	10	76.5	-	-	9	-	90.5	16	2
CASB-630	CF 623110	1	67	33...34	10	76.5	-	-	9	-	90.5	16	2
CASB-710	CF 623110	1	67	33...34	10	76.5	-	-	9	-	90.5	16	2
CASB-800	CF 924512	2	92	44...45	12	120	98	50	10.5	8.5	130	15.5	2.5
CASB-900	CF 924512	2	92	44...45	12	120	98	50	10.5	8.5	130	15.5	2.5
CASB-1000	CF 924512	2	92	44...45	12	120	98	50	10.5	8.5	130	15.5	2.5
CASB-1120	CF 924512	2	92	44...45	12	120	98	50	10.5	8.5	130	15.5	2.5
CASB-1250	CF 924512	2	92	44...45	12	120	98	50	10.5	8.5	130	15.5	2.5
CASB-1400	CF 924512	2	92	44...45	12	120	98	50	10.5	8.5	130	15.5	2.5
CASB-1600	CF 1204516	3	92	45	26.5	149.5			14		190	16	3.5
CASB-1800	CF 1204516	3	92	45	26.5	149.5			14		190	16	3.5
CASB-2000	CF 1204516	3	92	45	26.5	149.5			14		190	16	3.5

Circular silencers



Silencers are used to lower the noise level at air conditioning or ventilation installation manufactured using galvanised steel.

- Upon request: other constructions using different materials.

øD	øE	L	øI	F	øM	øD	øE	L	øI	F	øM
315	515	ØD,1,5ØD, 2ØD	355	8	M8	900	1100	ØD,1,5ØD, 2ØD	970	16	M10
355	555	ØD,1,5ØD, 2ØD	395	8	M8	1000	1200	ØD,1,5ØD, 2ØD	1070	16	M10
400	600	ØD,1,5ØD, 2ØD	450	8	M8	1120	1320	ØD,1,5ØD, 2ØD	1190	20	M10
450	650	ØD,1,5ØD, 2ØD	500	8	M8	1250	1450	ØD,1,5ØD, 2ØD	1320	20	M10
500	700	ØD,1,5ØD, 2ØD	560	12	M8	1400	1600	ØD,1,5ØD, 2ØD	1470	20	M10
560	760	ØD,1,5ØD, 2ØD	620	12	M8	1500	1700	ØD,1,5ØD, 2ØD	1570	20	M10
630	830	ØD,1,5ØD, 2ØD	690	12	M8	1600	1800	ØD,1,5ØD, 2ØD	1680	24	M14
710	910	ØD,1,5ØD, 2ØD	770	16	M8	1700	1900	ØD,1,5ØD, 2ØD	1780	24	M14
800	1000	ØD,1,5ØD, 2ØD	860	16	M8	1800	2000	ØD,1,5ØD, 2ØD	1880	24	M14

DIRECT DRIVE MOTOR

CAAB

Extremely robust high pressure single inlet centrifugal fans with sheet steel casing and impeller
Designed for clean or dusty air



*The images are provided only for illustrative purposes, the product may vary depending on its size, specifications and position.

- Fan:**
- Sheet steel casing.
 - Backward curved impeller made of very robust sheet steel, specially designed for clean and dusty air.
 - Directly coupled motor.
 - With inspection and cleaning hatch from size 560 and up.
 - All casings continuously welded.

Motor:

- Motors with IE3 efficiency for powers equal to or greater than 0.75kW, except single-phase, 2-speed and 8-pole.
- Class F motors with ball bearings, IP55 protection.
- Three-phase 230/400 V 50 Hz (up to 4 kW) and 400/690 V 50 Hz (powers greater than 4 kW).
- Maximum temperature of air to be carried: -25 °C +90 °C.

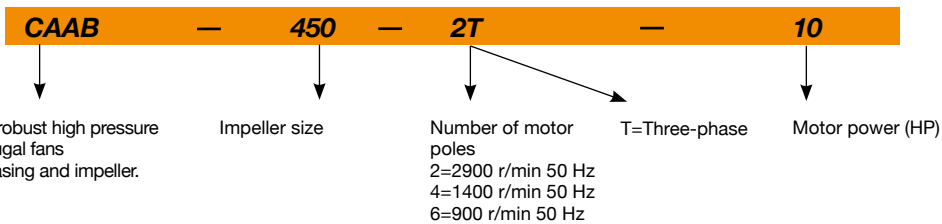
Finishing:

- Anti-corrosive finish in polyester resin, polymerised at 190 °C, after degreasing with phosphate-free nanotechnology treatment.

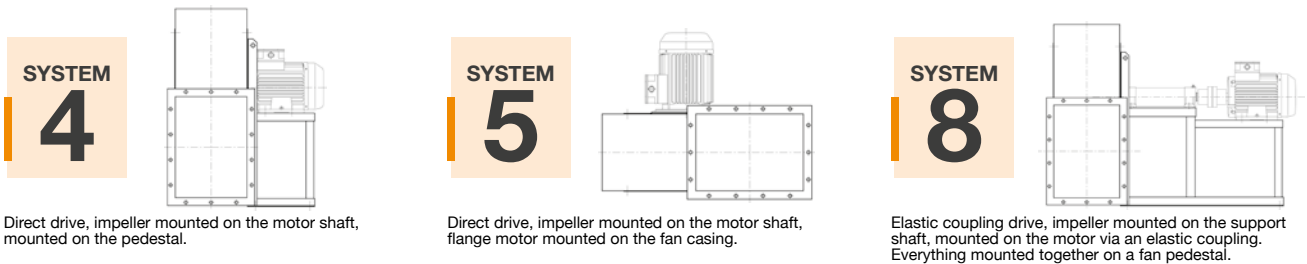
On request:

- Special windings for different voltages.
- Fan prepared to transport air up to +150 °C.
- Special executions for temperatures + 300 °C.
- Stainless steel fan.
- ATEX certified Category 2.
- System 8 elastic coupling.

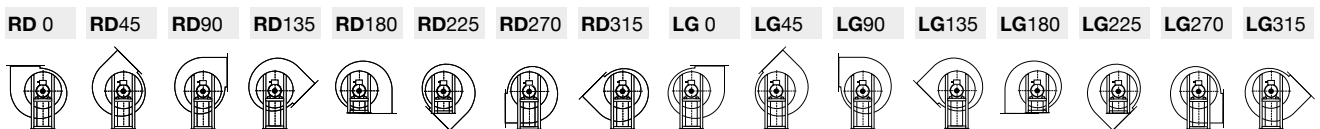
Order code



Direct drive motor construction method



Orientations



LG270 standard supply, other positions on request. Models 350 to 710 are adjustable. Special sizes in positions 180 and 225. Models 800 to 900 are adjustable. Special sizes except position 315. Models 1000 to 1400 are not adjustable. Special sizes except position 315.

LARGE SERIES

Technical characteristics

Model	Frame	Speed (r/min)	Maximum admissible current (A)			Installed power (kW)	Maximum flow rate (m³/h)	Sound pressure level dB(A)	Approx. weight (Kg)	According ErP
			230 V	400 V	690 V					
CAAB-400-2T-3 IE3	90 L	2910	7.32	4.21		2.2	2880	84	55	2015
CAAB-450-2T-5.5 IE3	112 M	2900	13	7.5		4	3780	87	85	2015
CAAB-500-2T-5.5 IE3	112 M	2900	13	7.5		4	2880	87	100	2015
CAAB-500-2T-10 IE3	132 SB	2930		14.1	8.17	7.5	4680	90	120	2015
CAAB-560-2T-10 IE3	132 SB	2930		14.1	8.17	7.5	4680	90	140	2015
CAAB-560-2T-15 IE3	160 MA	2945		20	11.6	11	7560	93	175	2015
CAAB-630-2T-25 IE3	160 L	2945		33.9	19.7	18.5	10800	100	240	2015
CAAB-710-2T-30 IE3	180 M	2950		39.7	23	22	8280	100	280	2015
CAAB-710-2T-50 IE3	200 LB	2960		67.8	39.3	37	15480	100	410	2015
CAAB-800-2T-60 IE3	225 M	2960		77.5	44.9	45	15480	103	490	2015
CAAB-800-2T-100 IE3	280 S	2975		130	75.4	75	23400	102	670	2015
CAAB-900-2T-100 IE3	280 S	2975		130	75.4	75	19080	102	880	2015
CAAB-900-2T-150 IE3	315 S	2980		189	110	110	30600	104	1080	2015
CAAB-1000-2T-175 IE3	315 MA	2980		224	130	132	37800	108	1150	2015
CAAB-1000-2T-270 IE3	315 MC	2975		334	194	200	43200	108	1280	2015



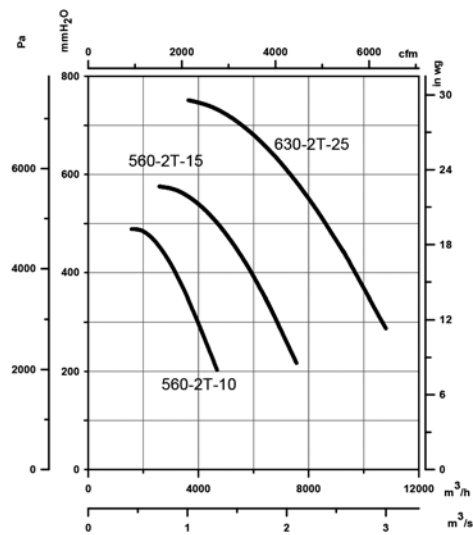
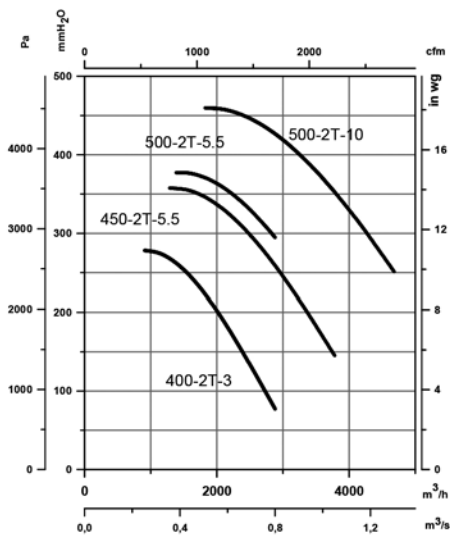
Erp. (Energy Related Products)

Information on Directive 2009/125/EC can be downloaded from the SODECA website or the QuickFan selector programme.

Characteristic curves

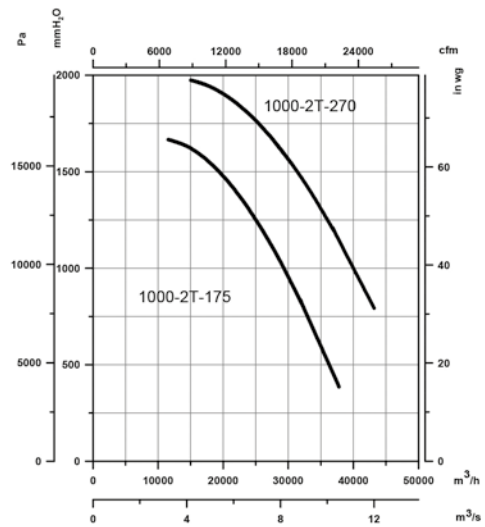
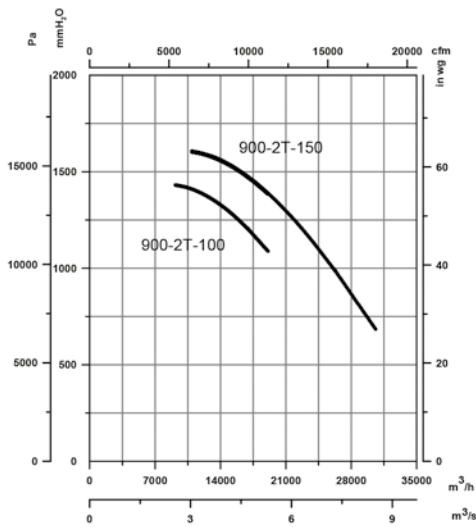
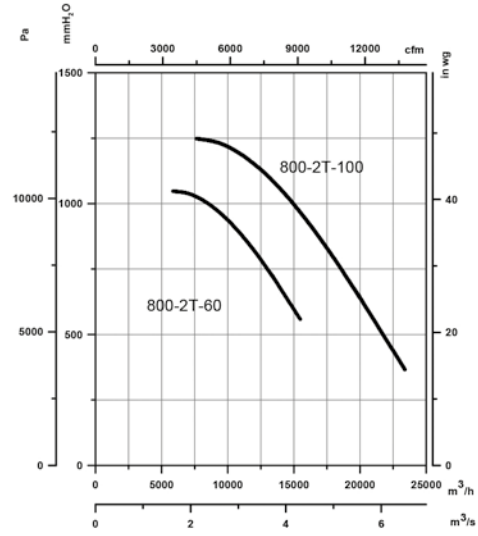
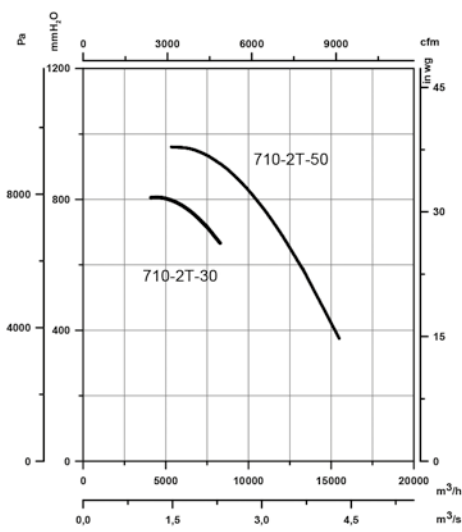
Q= Flow rate in m³/h, m³/s and cfm

Pe= Static pressure in mm H₂O, Pa and inwg

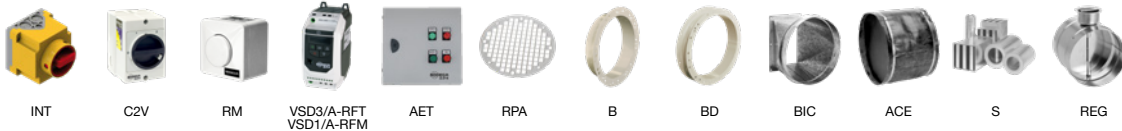


Characteristic curves

Q= Flow rate in m³/h, m³/s and cfm Pe= Static pressure in mm H₂O, Pa and inwg



Accessories



Drall-Regler Válvula lamas contrapuestas

LARGE SERIES

BELT-DRIVEN MOTOR

CAAB-X

Belt driven high pressure fans fitted with electric motors and a standardised set of pulleys, belts and protectors in accordance with standard ISO 13857
Designed for clean or dusty air



Motor:

- IE3 efficiency motors.
- Class F motors with ball bearings, IP55 protection.
- Three-phase 230/400 V 50 Hz (up to 4 kW) and 400/690 V 50 Hz (powers greater than 4 kW).
- Maximum temperature of air to be carried: -25 °C +90 °C.

Finishing:

- Anti-corrosive finish in polyester resin, polymerised at 190 °C, after degreasing with phosphate-free nanotechnology treatment.

On request:

- Special windings for different voltages.
- Fan prepared to transport air up to +300 °C.
- Stainless steel fan.
- ATEX certified Category 2.
- System 8 elastic coupling.

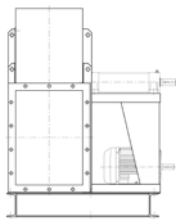
Fan:

- Sheet steel casing.
- Backward curved impeller made of very robust sheet steel, specially designed for clean and dusty air.
- Engine mounted on general bench.
- With inspection and cleaning hatch from size 560 and up.
- All casings continuously welded.

*The images are provided only for illustrative purposes, the product may vary depending on its size, specifications and position.

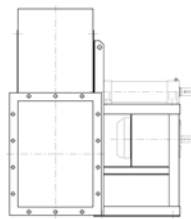
Belt-driven motor construction method

SYSTEM 12



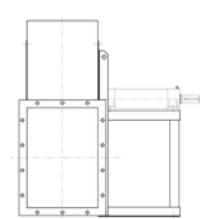
Transmission drive, identical to SYSTEM 1, with the motor and fan mounted on the common bench. Motor positions "W" or "Z" and exceptionally "X" or "Y".

SYSTEM 9



Transmission drive, identical to SYSTEM 1, with the motor mounted on the side of the pedestal, in position "W" or "Z".

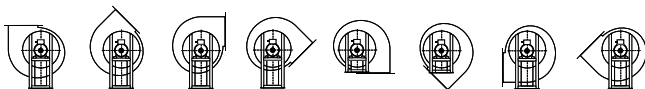
SYSTEM 1



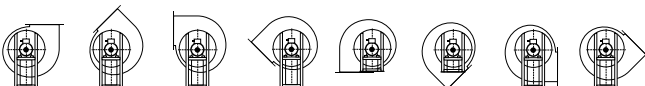
Transmission drive, impeller mounted on the support shaft. Support mounted on the pedestal.

Orientations

RD 0 RD45 RD90 RD135 RD180 RD225 RD270 RD315

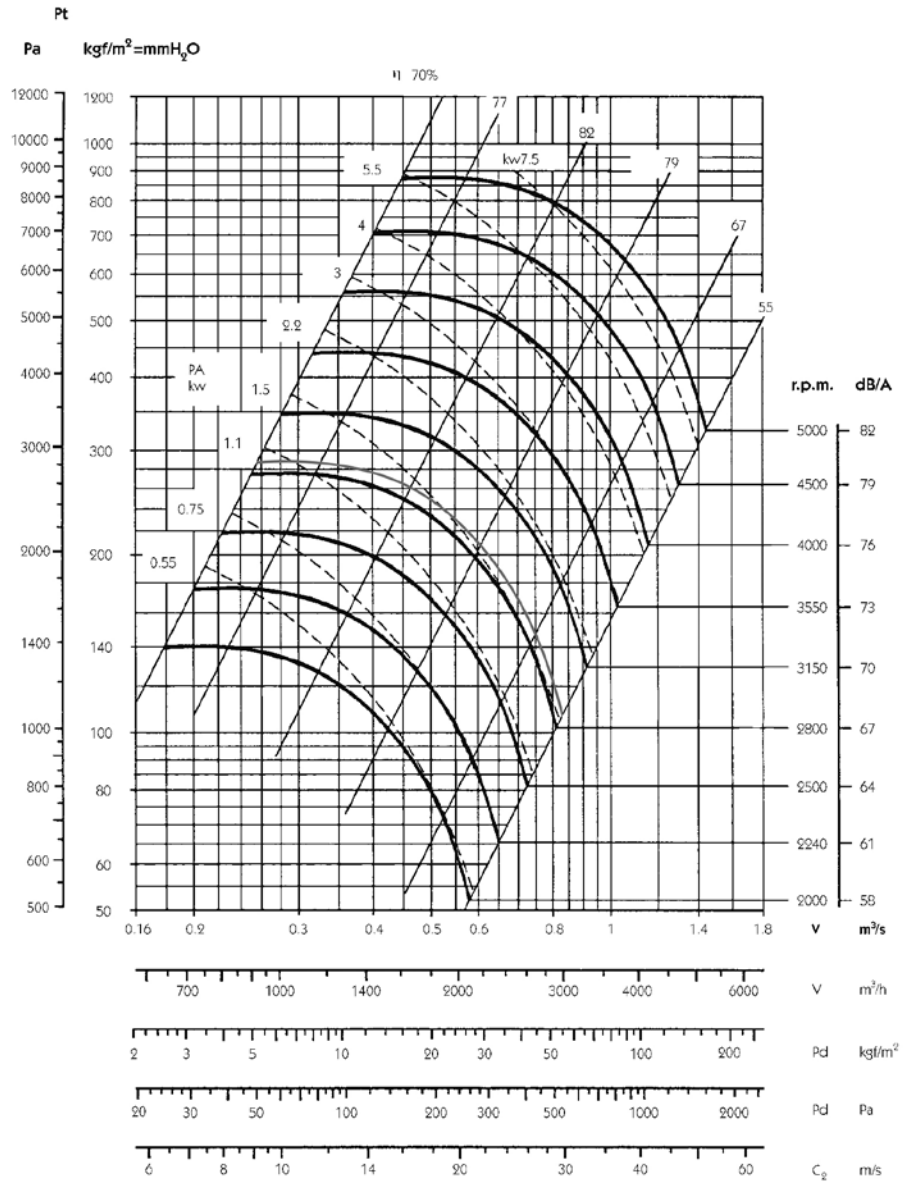


LG 0 LG45 LG90 LG135 LG180 LG225 LG270 LG315



Characteristic curves

CAAB-X 400



LARGE SERIES

Flow margin ±5%
 Noise level margin + 3... 5 dB
 Margin of kW absorbed ±3%

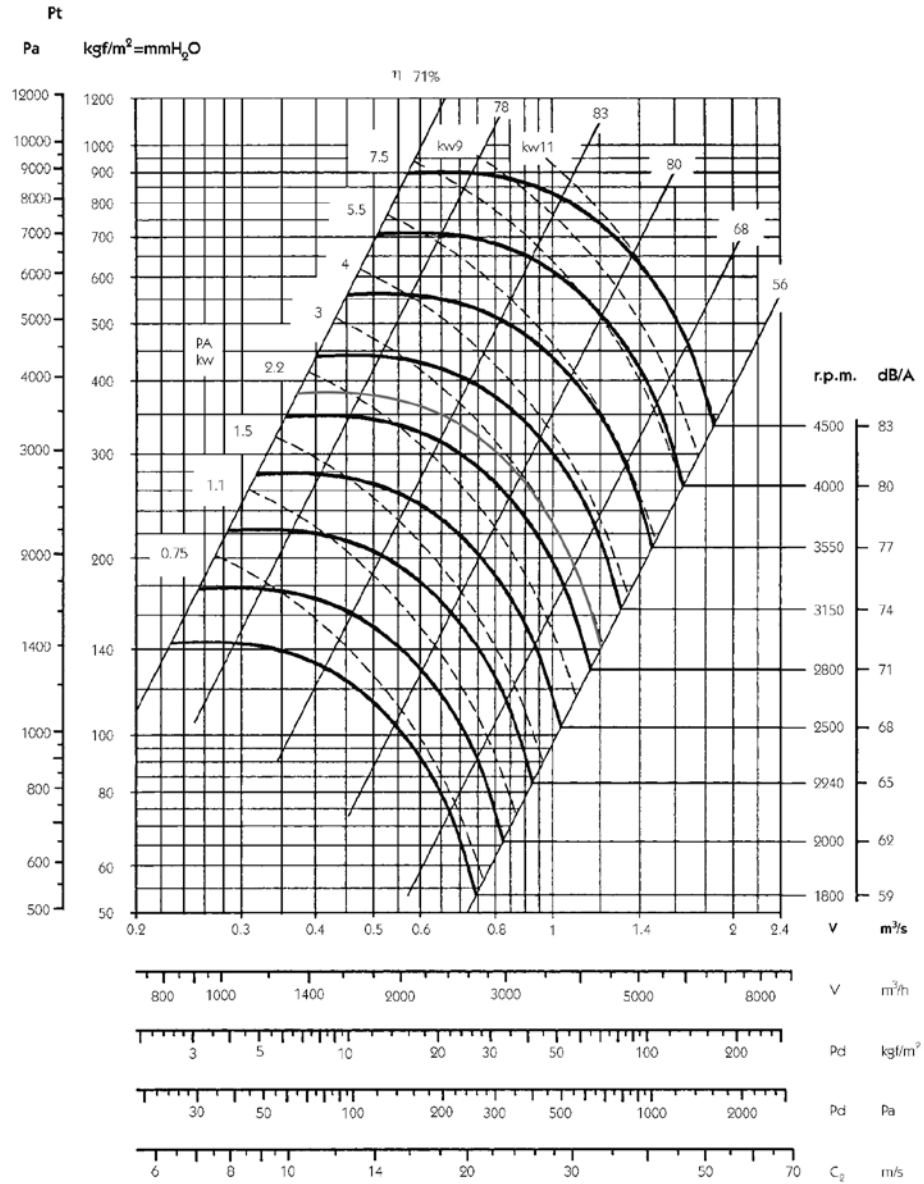
Outlet characteristics.

Maximum admissible Rpm

Class 1	
≤ 100 °C	4500
101 ... 200 °C	4000
201 ... 300 °C	3550

Characteristic curves

CAAB-X 450



Flow margin ±5%
 Noise level margin + 3... 5 dB
 Margin of kW absorbed ±3%

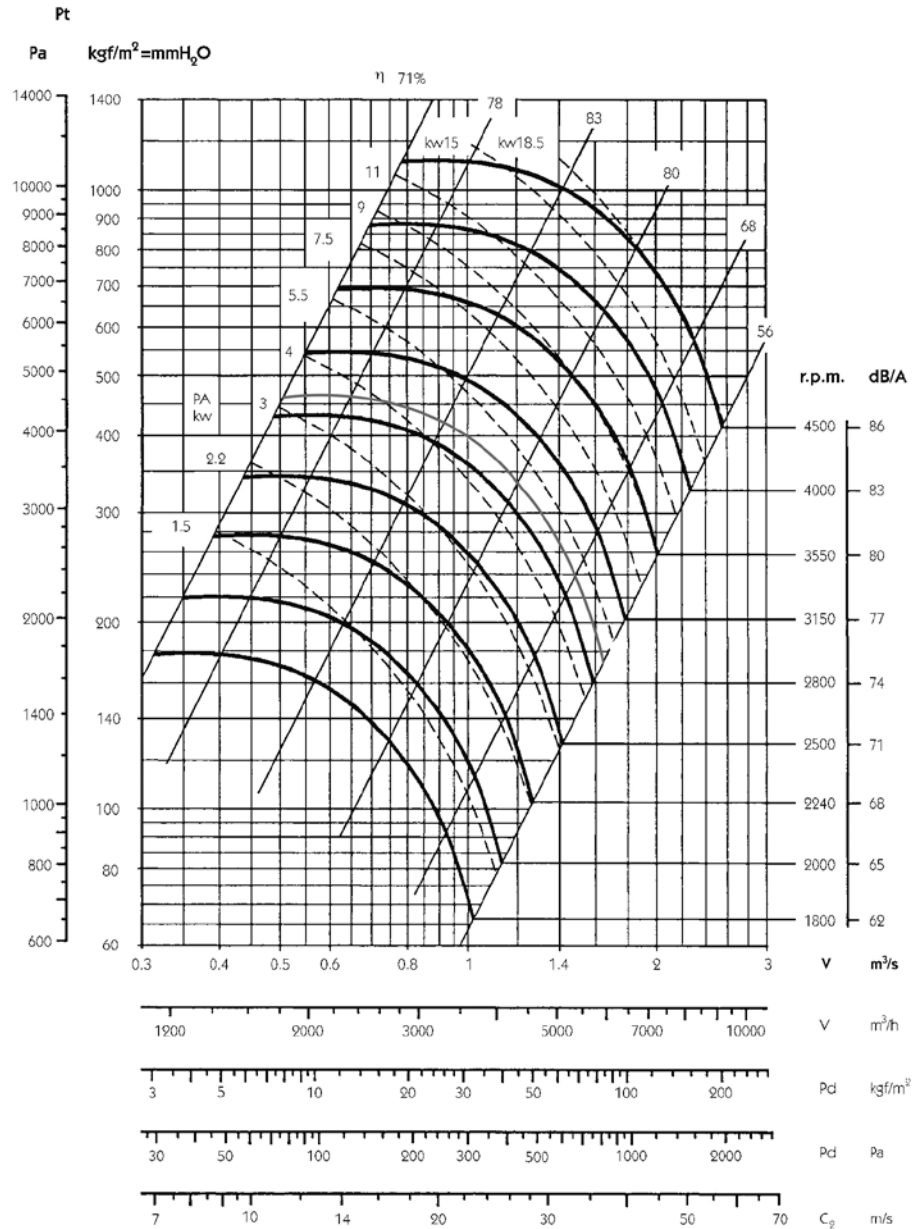
Outlet characteristics.

Maximum admissible Rpm

Class 1	
≤ 100 °C	4250
101 ... 200 °C	3750
201 ... 300 °C	3350

Characteristic curves

CAAB-X 500



LARGE SERIES

Flow margin ±5%
 Noise level margin + 3... 5 dB
 Margin of kW absorbed ±3%

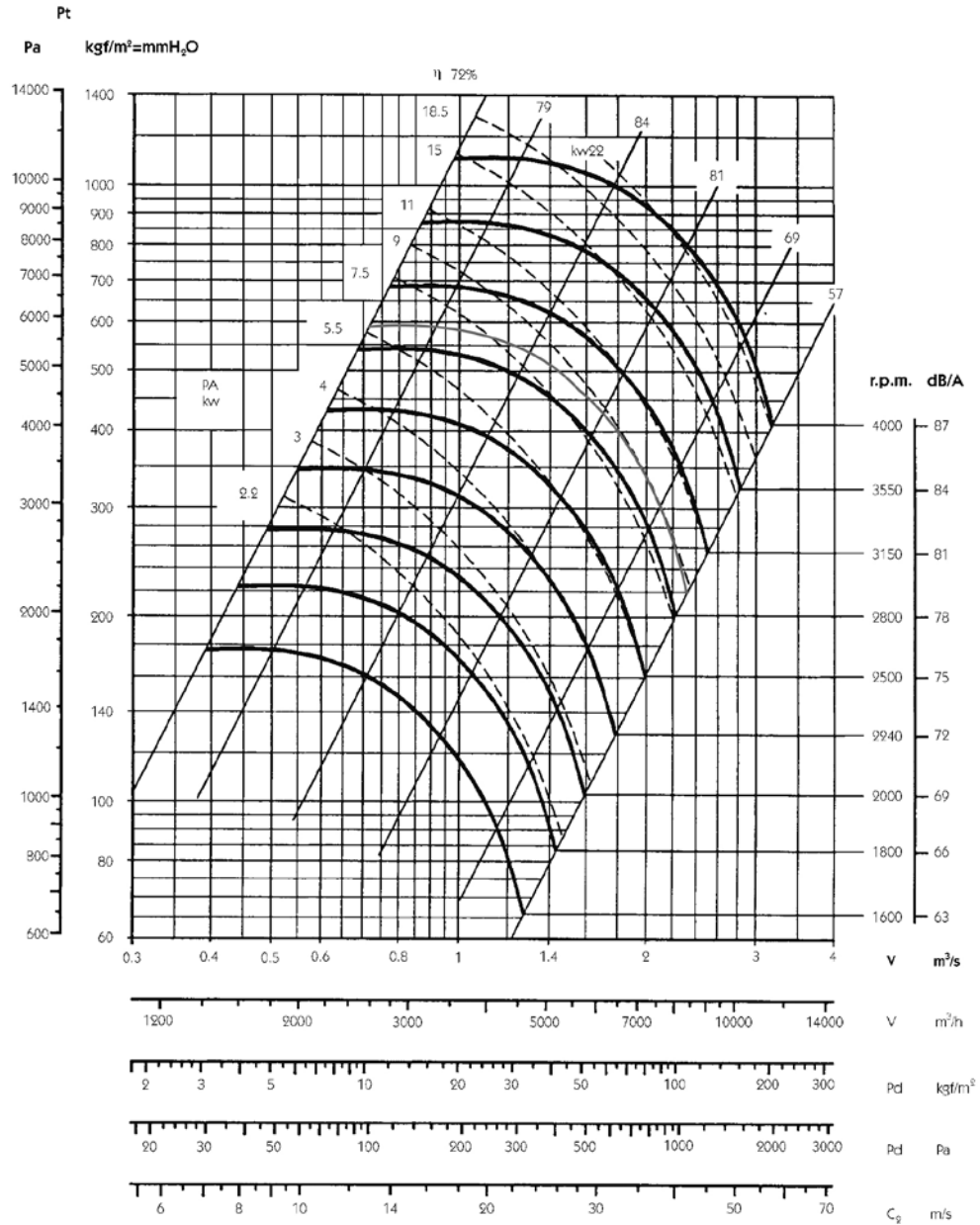
Outlet characteristics.

Maximum admissible Rpm

Class 1	
≤ 100 °C	4000
101 ... 200 °C	3550
201 ... 300 °C	3150

Characteristic curves

CAAB-X 560



Flow margin ±5%
 Noise level margin + 3... 5 dB
 Margin of kW absorbed ±3%

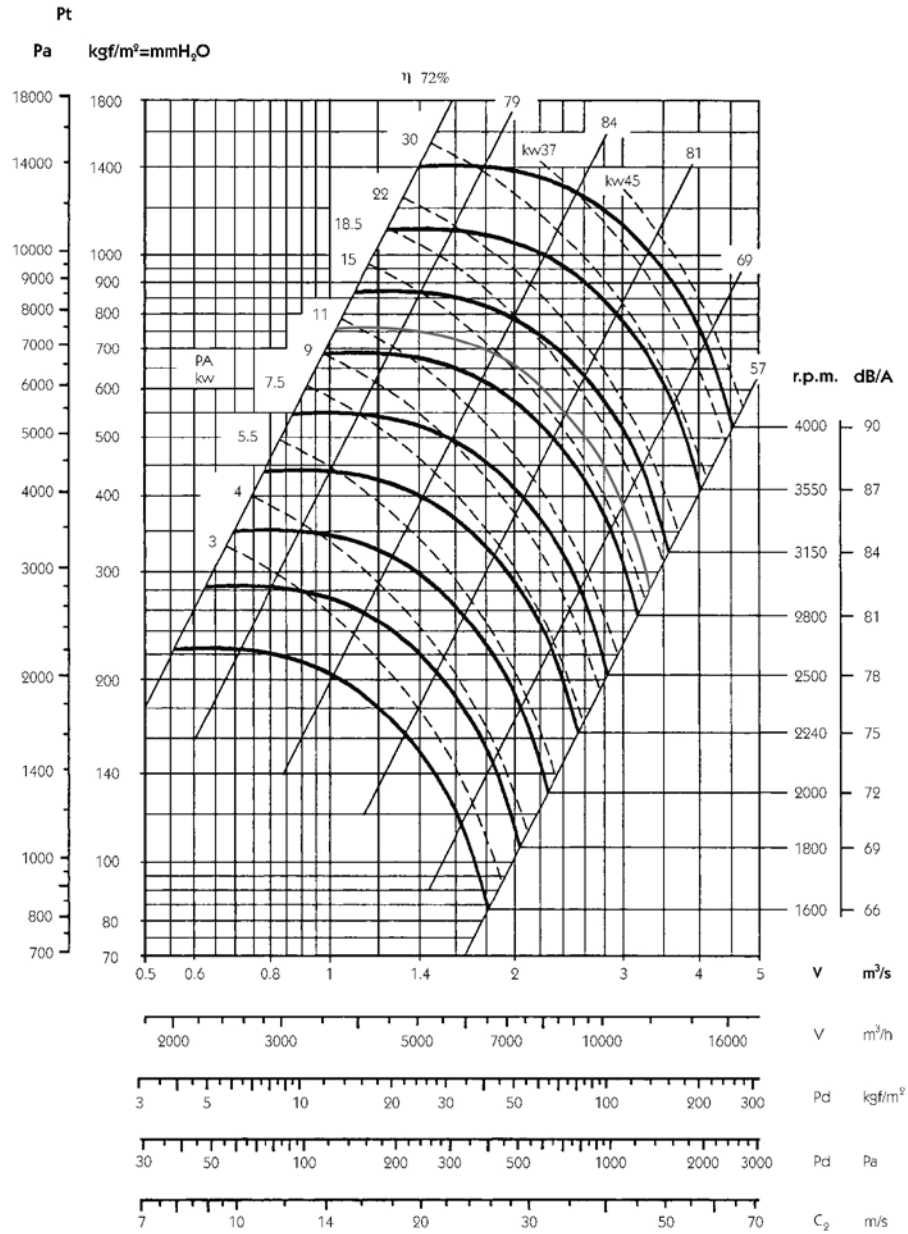
Outlet characteristics.

Maximum admissible Rpm

Class 1	
≤ 100 °C	3750
101 ... 200 °C	3350
201 ... 300 °C	3000

Characteristic curves

CAAB-X 630



LARGE SERIES

Flow margin ±5%
 Noise level margin + 3... 5 dB
 Margin of kW absorbed ±3%

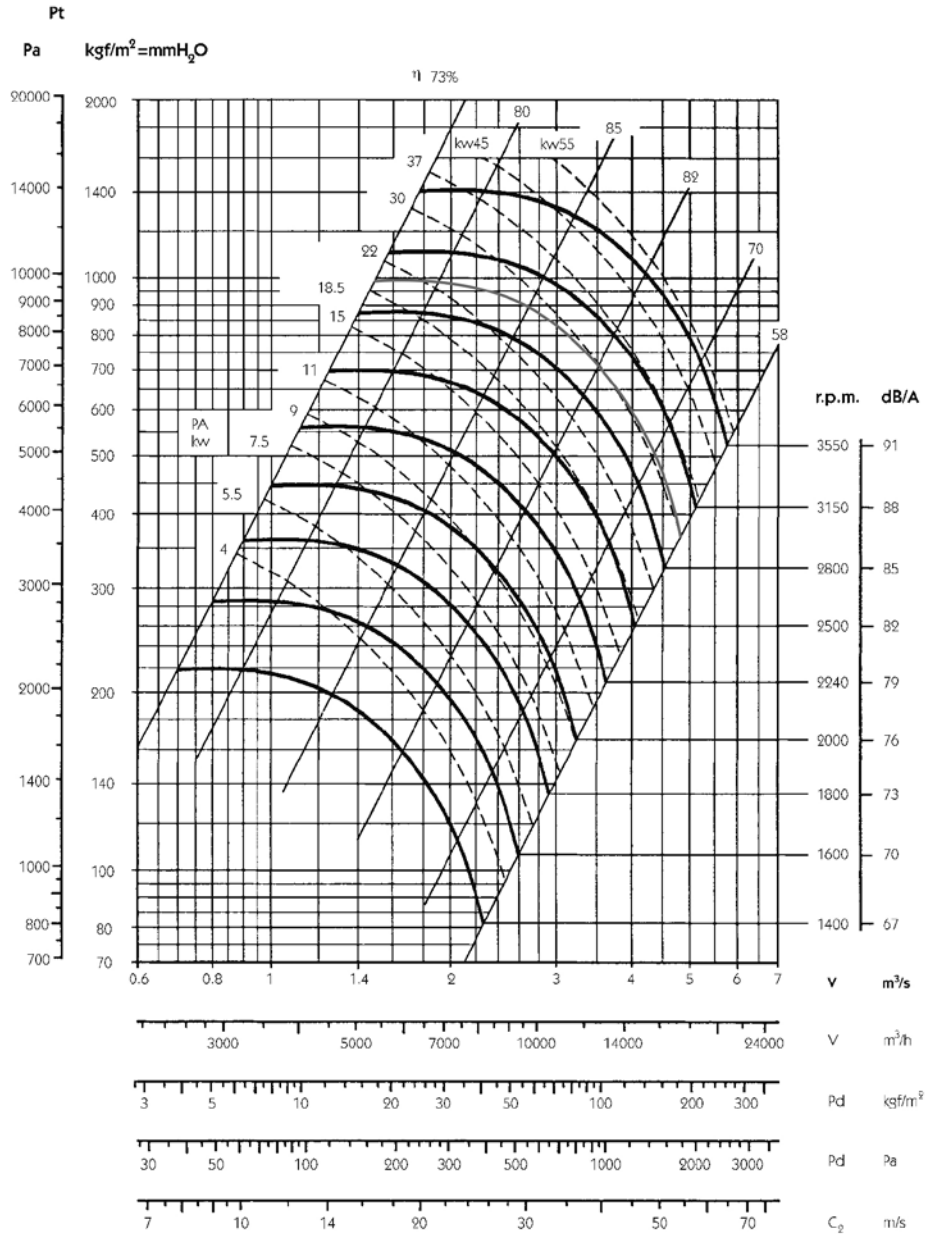
Outlet characteristics.

Maximum admissible Rpm

Class 1	
≤ 100 °C	3550
101 ... 200 °C	3150
201 ... 300 °C	2800

Characteristic curves

CAAB-X 710



Flow margin $\pm 5\%$
 Noise level margin + 3... 5 dB
 Margin of kW absorbed $\pm 3\%$

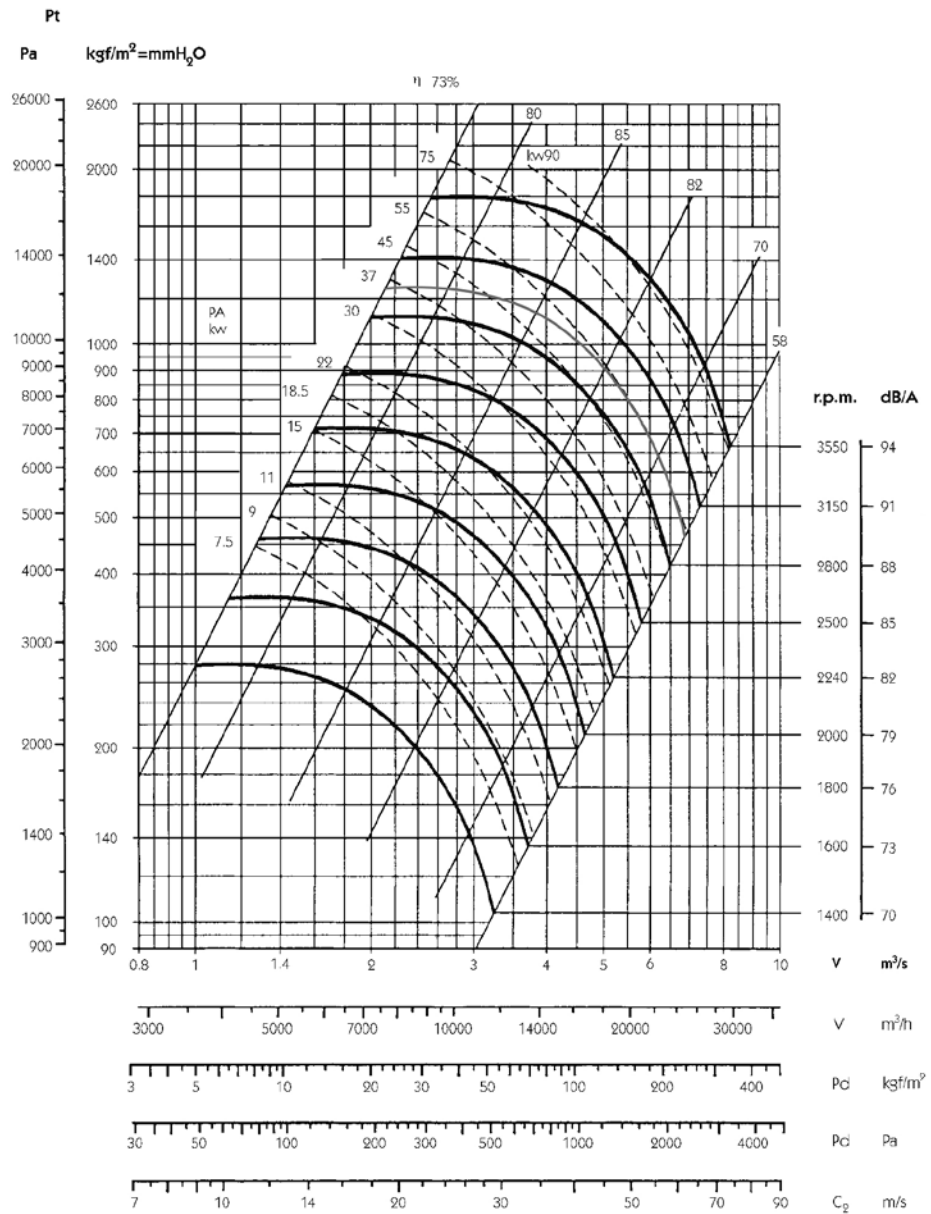
Outlet characteristics.

Maximum admissible Rpm

Class 1	
≤ 100 °C	3350
101 ... 200 °C	3000
201 ... 300 °C	2650

Characteristic curves

CAAB-X 800



LARGE SERIES

Flow margin ±5%
 Noise level margin + 3... 5 dB
 Margin of kW absorbed ±3%

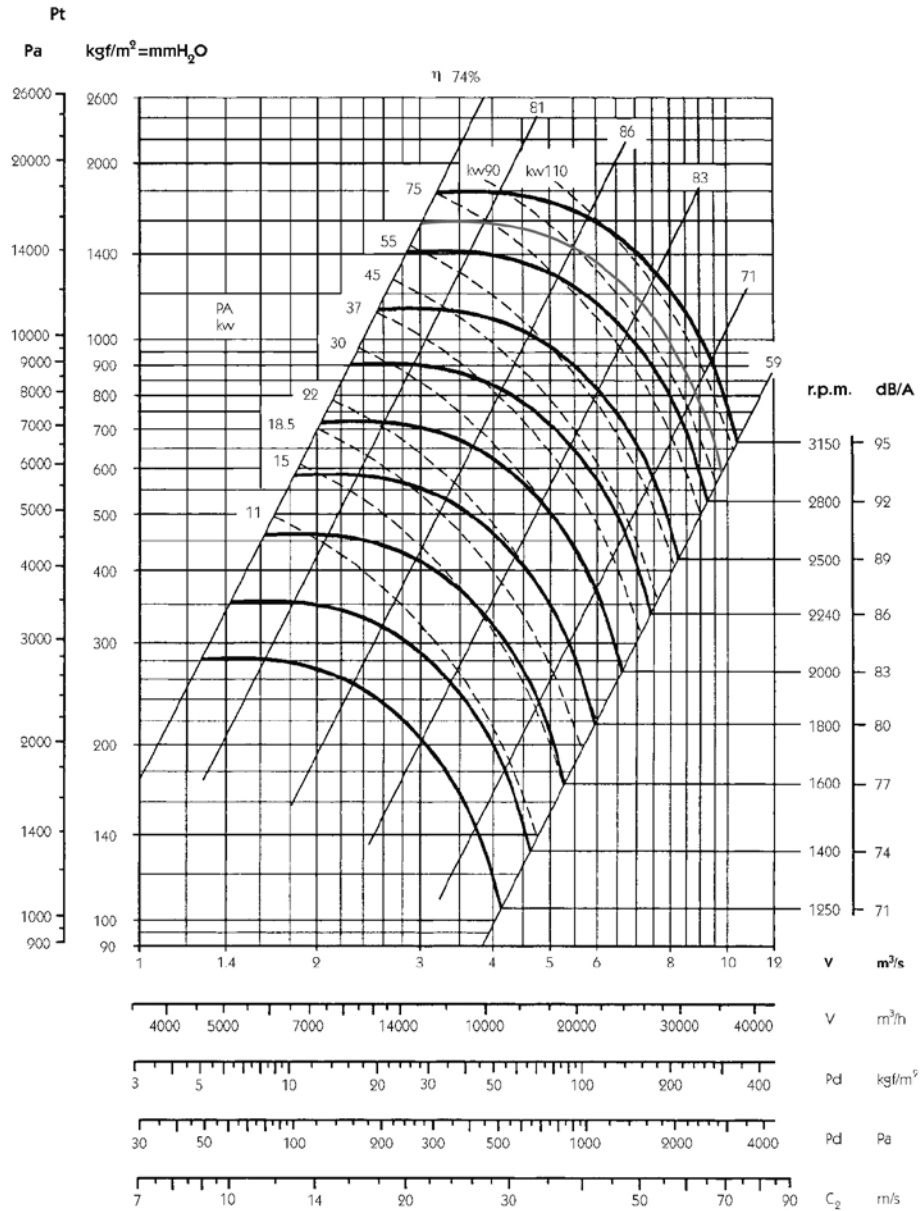
Outlet characteristics.

Maximum admissible Rpm

Class 1	
≤ 100 °C	3150
101 ... 200 °C	2800
201 ... 300 °C	2500

Characteristic curves

CAAB-X 900



Flow margin $\pm 5\%$
 Noise level margin + 3... 5 dB
 Margin of kW absorbed $\pm 3\%$

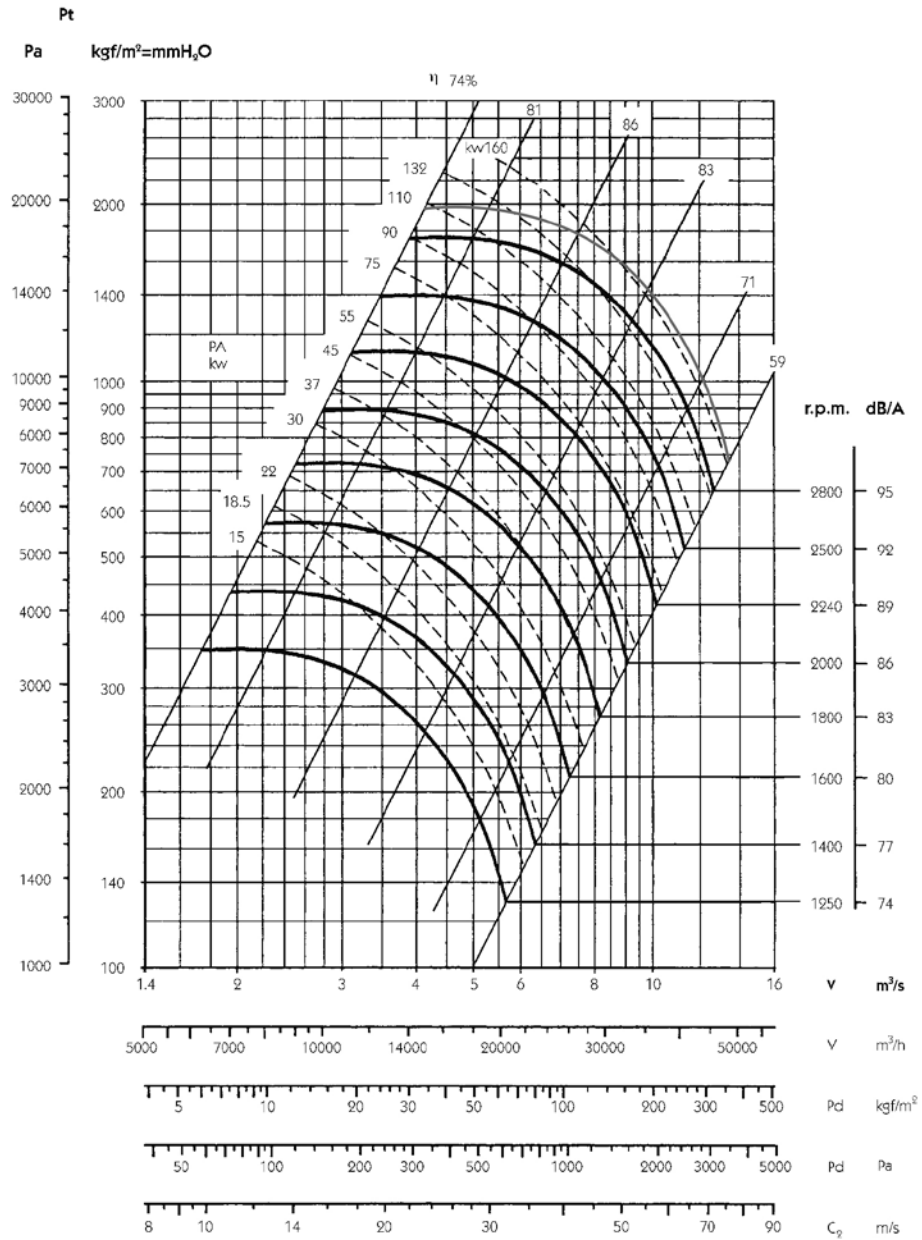
Outlet characteristics.

Maximum admissible Rpm

Class 1	
≤ 100 °C	3000
101 ... 200 °C	2650
201 ... 300 °C	2360

Characteristic curves

CAAB-X 1000



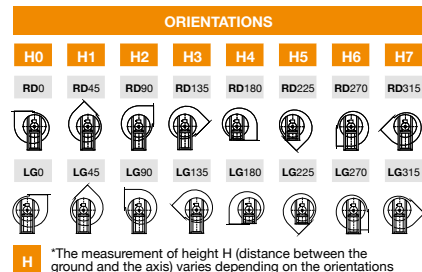
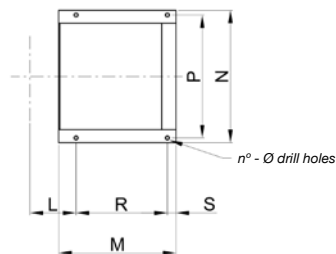
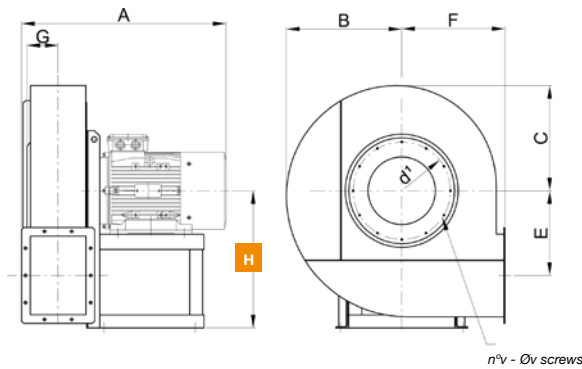
LARGE SERIES

Flow margin ±5%
 Noise level margin + 3... 5 dB
 Margin of kW absorbed ±3%

Outlet characteristics.

Maximum admissible Rpm

Class 1	
≤ 100 °C	2800
101 ... 200 °C	2500
201 ... 300 °C	2240

Dimensions mm
CAAB 400...1000


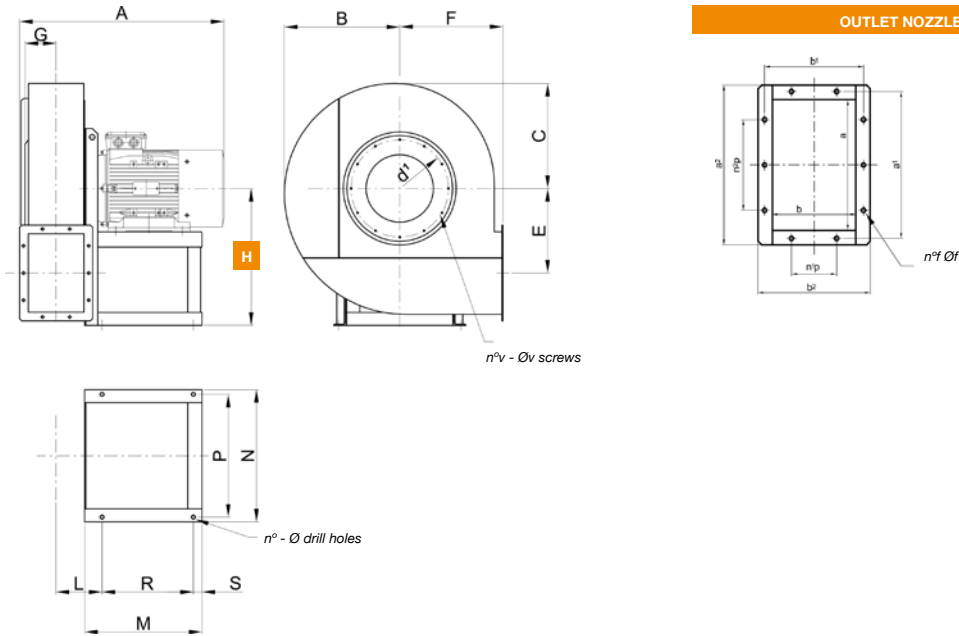
MOD.	FRAME	A	B	C	E	F	G	HO-1-2-3	H4-5	H6-7	L	M	N	P	R	S	n°	Φ	d ¹	n°v	Φv
CAAB-400	90 L/2	480	305	285	217	280	88	375	280	375	126	215	269	245	140	25	4	10	241	8	M6
CAAB-450	112 M/2	525	335	310	242	300	97	400	300	400	135	260	312	280	185	25	4	12	292	8	M8
CAAB-500	112 M/2	545	375	345	272	335	106	450	335	450	145	260	312	280	185	25	4	12	332	8	M8
CAAB-500	132 SB/2	635	375	345	272	335	106	450	335	450	145	320	342	310	245	25	4	12	332	8	M8
CAAB-560	132 SB/2	660	425	385	308	375	117	500	375	500	156	320	342	310	245	25	4	12	366	8	M8
CAAB-560	160 MA/2	730	425	385	308	375	117	500	375	500	156	425	440	400	345	30	4	14	366	8	M8
CAAB-630	160 L/2	835	475	430	348	425	129	560	425	560	168	425	440	400	345	30	4	14	405	8	M8
CAAB-710	180 M/2	900	525	485	389	475	143	630	475	630	201	470	550	510	370	30	4	17	448	12	M8
CAAB-710	200 LB/2	960	525	485	389	475	143	630	475	630	211	540	608	565	420	40	4	19	448	12	M8
CAAB-800	225 M/2	1045	595	545	440	530	159	710	530	710	228	550	668	625	430	40	4	19	497	12	M8
CAAB-800	280 S/2	1245	595	545	440	530	159	710	530	710	228	740	784	725	610	50	4	21	497	12	M8
CAAB-900	280 S/2	1280	665	620	496	600	176	800	600	800	245	740	784	725	610	50	4	21	551	12	M8
CAAB-900	315 S/2	1280	665	620	496	600	176	800	600	800	245	800	890	810	670	50	4	21	551	12	M8
CAAB-1000	315 MA/2	1435	745	695	556	670	195	900	670	900	265	800	890	810	670	50	4	21	629	12	M8
CAAB-1000	315 MC/2	1435	745	695	556	670	195	900	670	900	265	800	890	810	670	50	4	21	629	12	M8

*For "HIGH TEMP" constructions, elevations "A-M-R" + 50 mm.
 (kg) Weight of fan with motor.
 WD² = Moment of inertia of the impeller, expressed in Kg x m²

Dimensions mm

SYSTEM
4

CAAB 400...1000



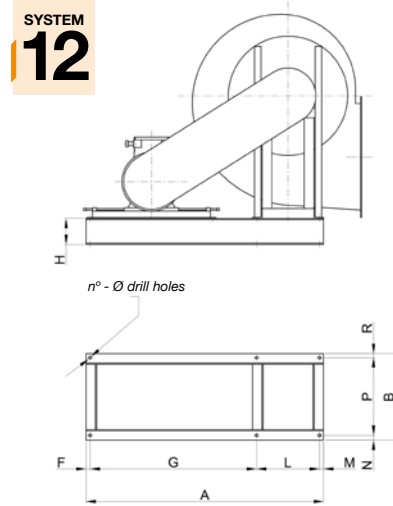
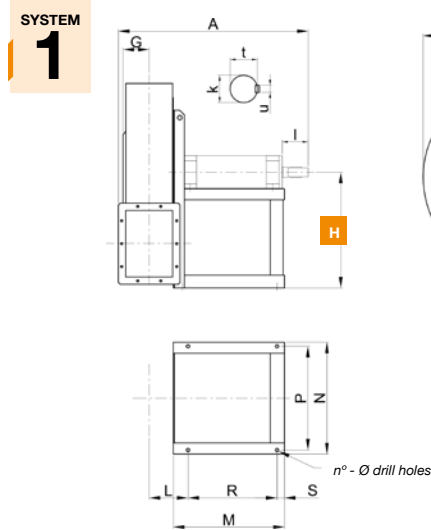
OUTLET NOZZLE

MOD.	a	b	a ¹	b ¹	a ²	b ²	n ¹ p	n ² p	n ¹ f	Øf	kg	WD ²
CAAB-400	205	146	241	182	275	216	1-112	1-112	8	12	55	0.6
CAAB-450	229	164	265	200	299	234	1-112	1-112	8	12	85	1
CAAB-500	256	183	292	219	326	253	1-112	2-112	10	12	100	1.5
CAAB-500	256	183	292	219	326	253	1-112	2-112	10	12	120	1.7
CAAB-560	288	205	332	249	368	285	1-125	2-125	10	12	140	2.3
CAAB-560	288	205	332	249	368	285	1-125	2-125	10	12	175	2.7
CAAB-630	322	229	366	273	402	309	1-125	2-125	10	12	240	4.5
CAAB-710	361	256	405	300	441	336	1-125	2-125	10	12	280	7
CAAB-710	361	256	405	300	441	336	1-125	2-125	10	12	410	8.6
CAAB-800	404	288	448	332	484	368	2-125	3-125	14	12	490	12
CAAB-800	404	288	448	332	484	368	2-125	3-125	14	12	670	15.5
CAAB-900	453	322	497	366	533	402	2-125	3-125	14	12	880	18
CAAB-900	453	322	497	366	533	402	2-125	3-125	14	12	1080	20.5
CAAB-1000	507	361	551	405	587	441	2.125	3.125	14	12	1150	35
CAAB-1000	507	361	551	405	587	441	2.125	3.125	14	12	1280	50

*For "HIGH TEMP." constructions, elevations "A-M-R" + 50 mm.
(kg) Weight of fan with motor.
WD² = Moment of inertia of the impeller, expressed in Kg x m²

Dimensions mm

CAAB-X 400...1000



MOD.	A*	B	C	E	F	G	H0-1-2-3	H4-5	H6-7	L
CAAB 400	745	305	285	217	280	88	375	280	375	126
CAAB 450	865	335	310	242	300	97	400	300	400	135
CAAB 500	885	375	345	272	335	106	450	335	450	145
CAAB 560	920	425	385	308	375	117	500	375	500	156
CAAB 630	945	475	430	348	425	129	560	425	560	168
CAAB 710	1060	535	485	389	475	143	530	475	630	181
CAAB 800	1145	595	545	440	530	159	600	530	710	198
CAAB 900	1260	665	620	496	600	176	670	600	800	215
CAAB 1000	1565	745	695	556	670	195	750	670	900	285

MOD.	A	B*	H	F	G	L	M	N	P*
CAAB 400	900	450	120	20	550	310	20	25	400
CAAB 450	1055	530	120	25	680	330	20	25	480
CAAB 500	1055	530	120	25	680	330	20	25	480
CAAB 560	1265	485	160	25	830	385	25	30	430
CAAB 630	1445	550	160	25	1010	385	25	30	495
CAAB 710	1505	575	180	30	1050	395	30	30	515
CAAB 800	1775	700	180	30	1280	435	30	30	640
CAAB 900	1880	750	180	30	1320	500	30	35	680
CAAB 1000	2100	850	180	35	1230	800	35	35	780

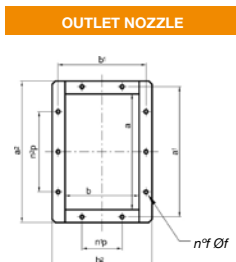
MOD.	M*	N	P	R*	S	n°	Φ	k	l	t	u
CAAB 400	480	350	310	400	30	4	14	28 K6	60	31	8
CAAB 450	560	370	330	480	30	4	14	38 K6	80	41	10
CAAB 500	560	370	330	480	30	4	14	38 K6	80	41	10
CAAB 560	520	438	385	430	40	4	17	42 K6	110	45	12
CAAB 630	520	438	385	430	40	4	17	48 K6	110	51.5	14
CAAB 710	605	456	395	515	40	4	19	48 K6	110	51.5	14
CAAB 800	655	496	435	565	40	4	19	55 m6	110	59	16
CAAB 900	705	564	500	605	50	4	19	65 m6	140	69	18
CAAB 1000	940	880	820	780	60	4	24	80 m6	170	85	22

MOD.	R	n°	Φ	kg
CAAB 400	25	6	14	40
CAAB 450	25	6	14	45
CAAB 500	25	6	14	45
CAAB 560	25	6	17	70
CAAB 630	25	6	17	90
CAAB 710	30	6	19	100
CAAB 800	30	6	19	130
CAAB 900	35	6	19	185
CAAB 1000	35	6	24	190

MOD.	d ¹	n°v	Φv	kg	WD ²
CAAB 400	241	8	M6	60	0.6
CAAB 450	292	8	M8	75	1
CAAB 500	332	8	M8	90	1.7
CAAB 560	366	8	M8	125	2.7
CAAB 630	405	8	M8	170	4.5
CAAB 710	448	12	M8	220	8.6
CAAB 800	497	12	M8	300	15.5
CAAB 900	551	12	M8	500	20.5
CAAB 1000	629	12	M8	850	50

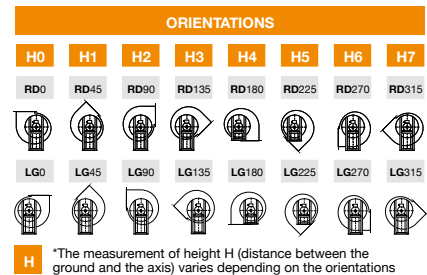
(*) For "HIGH TEMP." constructions in models 400 to 800, elevations "B-P" + 50 mm.
Kg = Weight of the support base

(*) For "HIGH TEMP." constructions in models 400 to 800, elevations "A-M-R" + 50 mm.
kg = Weight of fan without motor.
WD² = Moment of inertia of the impeller, expressed in Kg x m²



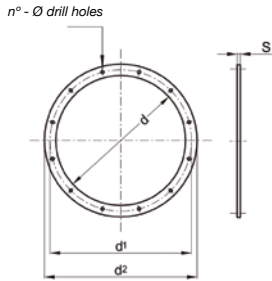
OUTLET NOZZLE

MOD.	a	b	a ¹	b ¹	a ²	b ²	n ¹ p	n ² p	n ¹ f	n ² f	Φf
CAAB 400	205	146	241	182	275	216	1-112	1-112	8	12	
CAAB 450	229	164	265	200	299	234	1-112	1-112	8	12	
CAAB 500	256	183	292	219	326	253	1-112	2-112	10	12	
CAAB 560	288	205	332	249	368	285	1-125	2-125	10	12	
CAAB 630	322	229	366	273	402	309	1-125	2-125	10	12	
CAAB 710	361	256	405	300	441	336	1-125	2-125	10	12	
CAAB 800	404	288	448	332	484	368	2-125	3-125	14	12	
CAAB 900	453	322	497	366	533	402	2-125	3-125	14	12	
CAAB 1000	507	361	551	405	587	441	2-125	3-125	14	12	



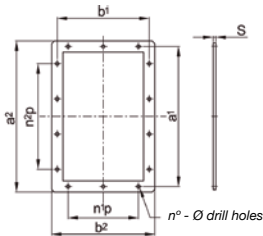
Accessories

Inlet counter flange



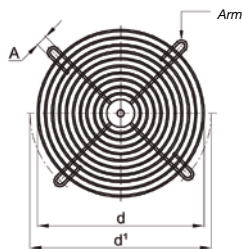
MOD.	d	d ¹	d ²	n°	Φ	s	kg
CAAB 400	229	265	299	8	9	4	0.8
CAAB 450	255	292	325	8	11	4	1
CAAB 500	286	332	366	8	11	5	1.6
CAAB 560	321	366	401	8	11	5	1.8
CAAB 630	361	405	441	8	11	5	2
CAAB 710	406	448	486	12	11	5	2.2
CAAB 800	456	497	536	12	11	5	2.5
CAAB 900	506	551	586	12	11	5	2.7
CAAB 1000	568	629	668	12	11	6	4.6

Impulsion counter-flange



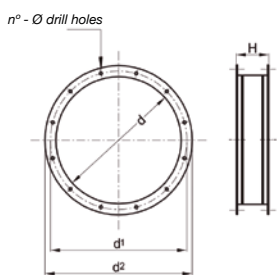
MOD.	a	b	a ¹	b ¹	a ²	b ²	n ¹ p	n ² p	n ⁰	Φ	s	kg
CAAB 400	205	146	241	182	275	216	1-112	1-112	8	12	4	0.9
CAAB 450	229	164	265	200	299	234	1-112	1-112	8	12	4	1
CAAB 500	256	183	292	219	326	253	1-112	2-112	10	12	4	1.1
CAAB 560	288	205	332	249	368	285	1-125	2-125	10	12	5	1.8
CAAB 630	322	229	366	273	402	309	1-125	2-125	10	12	5	2
CAAB 710	361	256	405	300	441	336	1-125	2-125	10	12	5	2.2
CAAB 800	404	288	448	332	484	368	2-125	3-125	14	12	5	2.4
CAAB 900	453	322	497	366	533	402	2-125	3-125	14	12	5	2.7
CAAB 1000	507	361	551	405	587	441	2-125	3-125	14	12	5	3

Inlet protection mesh



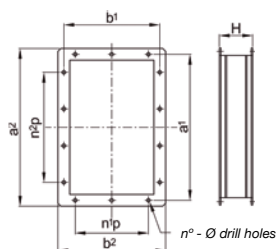
MOD.	d	d ¹	A	n°	kg
CAAB 400	229	265	9	4	0.25
CAAB 450	255	292	11	4	0.3
CAAB 500	286	332	11	4	0.35
CAAB 560	321	366	11	4	0.4
CAAB 630	361	405	11	8	0.7
CAAB 710	406	448	11	8	0.8
CAAB 800	456	497	11	8	0.9
CAAB 900	506	551	11	8	1
CAAB 1000	568	629	11	8	1.2

Inlet anti-vibration seal



MOD.	d	d ¹	d ²	n°	Φ	H	kg
CAAB 400	229	265	299	8	9	200	2
CAAB 450	255	292	325	8	11	200	2.2
CAAB 500	286	332	366	8	11	200	3.4
CAAB 560	321	366	401	8	11	200	3.8
CAAB 630	361	405	441	8	11	200	4.2
CAAB 710	406	448	486	12	11	200	4.6
CAAB 800	456	497	536	12	11	200	5.1
CAAB 900	506	551	586	12	11	200	5.6
CAAB 1000	568	629	668	12	11	200	9.4

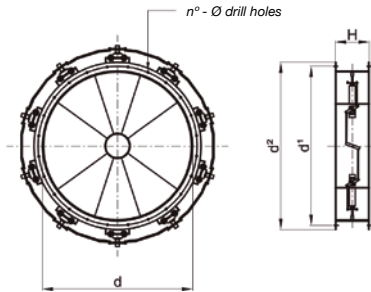
Impulsion anti-vibration seal



MOD.	a	b	a ¹	b ¹	a ²	b ²	n ¹ p	n ² p	n ⁰	Φ	H	kg
CAAB 400	205	146	241	182	275	216	1-112	1-112	8	12	200	2
CAAB 450	229	164	265	200	299	234	1-112	1-112	8	12	200	2.2
CAAB 500	256	183	292	219	326	253	1-112	2-112	10	12	200	2.4
CAAB 560	288	205	332	249	368	285	1-125	2-125	10	12	200	3.8
CAAB 630	322	229	366	273	402	309	1-125	2-125	10	12	200	4.2
CAAB 710	361	256	405	300	441	336	1-125	2-125	10	12	200	4.6
CAAB 800	404	288	448	332	484	368	2-125	3-125	14	12	200	5
CAAB 900	453	322	497	366	533	402	2-125	3-125	14	12	200	5.6
CAAB 1000	507	361	551	405	587	441	2-125	3-125	14	12	200	6.2

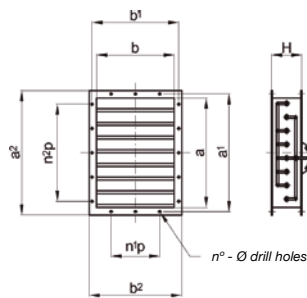
Accessories

Flow regulator at the inlet



MOD.	d	d ¹	d ²	n°	Φ	H	kg
CAAB 560	321	366	401	8	11	200	24
CAAB 630	361	405	441	8	11	250	26
CAAB 710	406	448	486	12	11	250	30
CAAB 800	456	497	536	12	11	250	32
CAAB 900	506	551	586	12	11	250	45
CAAB 1000	568	629	668	12	11	250	50

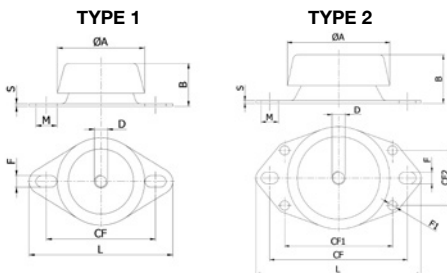
Opposing blades damper



MOD.	a	b	a ¹	b ¹	a ²	b ²	n ¹ p	n ² p	n°	Φ	H (1)	H (2)	kg (1)	kg (2)
CAAB 630	322	229	366	273	402	309	1-125	2-125	10	12	220	250	11	12
CAAB 710	361	256	405	300	441	336	1-125	2-125	10	12	220	250	14	15
CAAB 800	404	288	448	332	484	368	2-125	3-125	14	12	220	250	18	19
CAAB 900	453	322	497	366	533	402	2-125	3-125	14	12	220	250	21	22
CAAB 1000	507	361	551	405	587	441	2-125	3-125	14	12	220	250	24	25

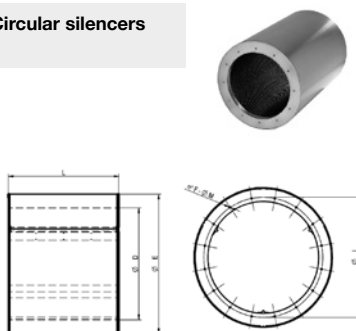
(1) Up to 300 mm H₂O
(2) Above 300 mm H₂O

Shock absorbers



MOD.	SHOCK-ABSORBERS MODEL	TYPE	øA	B	D	CF	CF1	CF2	F	øF1	L	M	S
CAAB 400	CF 623110	1	67	33...34	10	76.5	-	-	9	-	90.5	16	2
CAAB 450	CF 623110	1	67	33...34	10	76.5	-	-	9	-	90.5	16	2
CAAB 500	CF 623110	1	67	33...34	10	76.5	-	-	9	-	90.5	16	2
CAAB 560	CF 623110	1	67	33...34	10	76.5	-	-	9	-	90.5	16	2
CAAB 630	CF 623110	1	67	33...34	10	76.5	-	-	9	-	90.5	16	2
CAAB 710	CF 623110	1	67	33...34	10	76.5	-	-	9	-	90.5	16	2
CAAB 800	CF 924512	2	92	44...45	12	120	98	50	10.5	8.5	130	15.5	2.5
CAAB 900	CF 924512	2	92	44...45	12	120	98	50	10.5	8.5	130	15.5	2.5
CAAB 1000	CF 924512	2	92	44...45	12	120	98	50	10.5	8.5	130	15.5	2.5

Circular silencers



Silencers are used to lower the noise level at air conditioning or ventilation installation manufactured using galvanised steel.

- Upon request: other constructions using different materials.

øD	øE	L	øI	F	øM	øD	øE	L	øI	F	øM
315	515	ØD,1.5ØD,2ØD	355	8	M8	900	1100	ØD,1.5ØD,2ØD	970	16	M10
355	555	ØD,1.5ØD,2ØD	395	8	M8	1000	1200	ØD,1.5ØD,2ØD	1070	16	M10
400	600	ØD,1.5ØD,2ØD	450	8	M8	1120	1320	ØD,1.5ØD,2ØD	1190	20	M10
450	650	ØD,1.5ØD,2ØD	500	8	M8	1250	1450	ØD,1.5ØD,2ØD	1320	20	M10
500	700	ØD,1.5ØD,2ØD	560	12	M8	1400	1600	ØD,1.5ØD,2ØD	1470	20	M10
560	760	ØD,1.5ØD,2ØD	620	12	M8	1500	1700	ØD,1.5ØD,2ØD	1570	20	M10
630	830	ØD,1.5ØD,2ØD	690	12	M8	1600	1800	ØD,1.5ØD,2ØD	1680	24	M14
710	910	ØD,1.5ØD,2ØD	770	16	M8	1700	1900	ØD,1.5ØD,2ØD	1780	24	M14
800	1000	ØD,1.5ØD,2ØD	860	16	M8	1800	2000	ØD,1.5ØD,2ØD	1880	24	M14

DIRECT DRIVE MOTOR

CAAE

Extremely robust high pressure single inlet centrifugal fans with sheet steel casing and impeller

Designed for clean or dusty air



*The images are provided only for illustrative purposes, the product may vary depending on its size, specifications and position.

- Fan:**
- Sheet steel casing.
 - Backward curved impeller made of very robust sheet steel, specially designed for clean and dusty air.
 - Directly coupled motor.
 - With inspection and cleaning hatch from size 560 and up.
 - All casings continuously welded.

Motor:

- Motors with IE3 efficiency for powers equal to or greater than 0.75kW, except single-phase, 2-speed and 8-pole.
- Class F motors with ball bearings, IP55 protection.
- Three-phase 230/400 V 50 Hz (up to 4 kW) and 400/690 V 50 Hz (powers greater than 4 kW).
- Maximum temperature of air to be carried: -25 °C +90 °C.

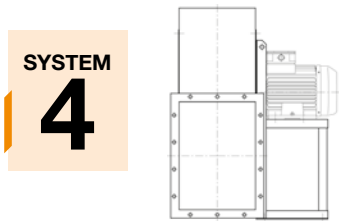
Finishing:

- Anti-corrosive finish in polyester resin, polymerised at 190 °C, after degreasing with phosphate-free nanotechnology treatment.

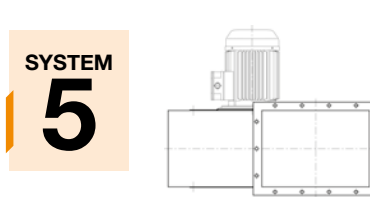
On request:

- Special windings for different voltages.
- Fan prepared to transport air up to +150 °C.
- Special executions for temperatures + 300 °C.
- Stainless steel fan.
- ATEX certified Category 2.
- System 8 elastic coupling.

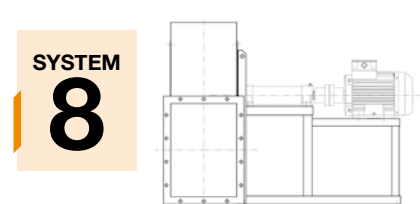
Direct drive motor construction method



Direct drive, impeller mounted on the motor shaft, mounted on the pedestal.



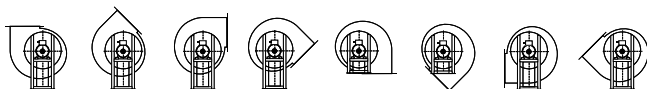
Direct drive, impeller mounted on the motor shaft, flange motor mounted on the fan casing.



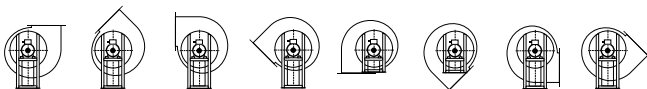
Elastic coupling drive, impeller mounted on the support shaft, mounted on the motor via an elastic coupling. Everything mounted together on a fan pedestal.

Orientations

RD 0 RD45 RD90 RD135 RD180 RD225 RD270 RD315



LG 0 LG45 LG90 LG135 LG180 LG225 LG270 LG315



BELT-DRIVEN MOTOR

CAA-E-X

Belt driven high pressure fans fitted with electric motors and a standardised set of pulleys, belts and protectors in accordance with standard ISO 13857
Designed for clean or dusty air



Motor:

- IE3 efficiency motors.
- Class F motors with ball bearings, IP55 protection.
- Three-phase 230/400 V 50 Hz (up to 4 kW) and 400/690 V 50 Hz (powers greater than 4 kW).
- Maximum temperature of air to be carried: -25 °C +90 °C.

Finishing:

- Anti-corrosive finish in polyester resin, polymerised at 190 °C, after degreasing with phosphate-free nanotechnology treatment.

On request:

- Special windings for different voltages.
- Fan prepared to transport air up to +300 °C.
- Stainless steel fan.
- ATEX certified Category 2.
- System 8 elastic coupling.

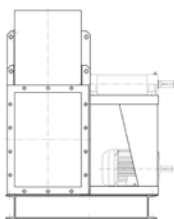
Fan:

- Sheet steel casing.
- Backward curved impeller made of very robust sheet steel, specially designed for clean and dusty air.
- Engine mounted on general bench.
- With inspection and cleaning hatch from size 560 and up.
- All casings continuously welded.

*The images are provided only for illustrative purposes, the product may vary depending on its size, specifications and position.

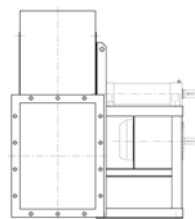
Belt-driven motor construction method

SYSTEM 12



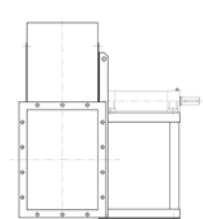
Transmission drive, identical to SYSTEM 1, with the motor and fan mounted on the common bench. Motor positions "W" or "Z" and exceptionally "X" or "Y".

SYSTEM 9



Transmission drive, identical to SYSTEM 1, with the motor mounted on the side of the pedestal, in position "W" or "Z".

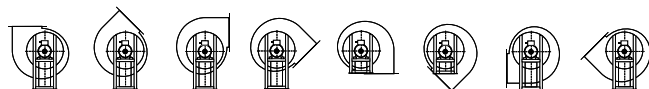
SYSTEM 1



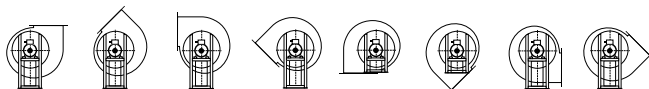
Transmission drive, impeller mounted on the support shaft. Support mounted on the pedestal.

Orientations

RD 0 RD45 RD90 RD135 RD180 RD225 RD270 RD315



LG 0 LG45 LG90 LG135 LG180 LG225 LG270 LG315



QUICK SELECT SYSTEM 4

Outlet characteristics

Model	Frame	kW ass	kW inst.	r.p.m.	dB	V m ³ /s																	
						0.033	0.05	0.067	0.083	0.092	0.1	0.12	0.13	0.15	0.17	0.18	0.2	0.23					
						Pt kgf/m ² =mmH ₂ O																	
CAAE 400/B	71 A/2	0.35	0.37	2800	69	240	240	240															
CAAE 400/B	71 B/2	0.5	0.55	2810	69				230	230	225												
CAAE 400/A	71 B/2	0.5	0.55	2810	71	320	320	320															
CAAE 400/A	80 A/2	0.65	0.75	2820	72				320	315	310												
CAAE 500/B	80 A/2	0.67	0.75	2820	72	390	410	410	410	410	410												
CAAE 500/B	80 B/2	0.9	1.1	2820	74							410	400	395									
CAAE 500/A	80 B/2	1	1.1	2820	74	475	495	500	500	500	500												
CAAE 500/A	90 S/2	1.3	1.5	2840	76							495	490	485									
CAAE 630/B	90 S/2	1.4	1.5	2840	75	590	615	630	640	645	650	650											
CAAE 630/B	90 L/2	2	2.2	2840	77								635	625	610	530	575	540					
CAAE 630/A	90 L/2	2.1	2.2	2840	78	750	780	800	820	820	830	835	830										
CAAE 630/A	100 L/2	2.8	3	2850	80									830	820	800	790	750					
CAAE 710/B	100 L/2	2.9	3	2850	80	845	880	900	920	920	930	940	950	950									
CAAE 710/B	112 M/2	3.7	4	2860	81										940	930	920	890					
CAAE 710/A	112 M/2	3.8	4	2860	83	970	1000	1030	1050	1060	1070	1080	1080	1090	1090								
CAAE 710/A	132 SA/2	5.3	5.5	2900	85											1080	1070	1030					
CAAE 800/A	132 SA/2	5.4	5.5	2900	84	1160	1200	1230	1260	1265	1280	1290	1300	1315	1325	1325							
CAAE 800/A	132 SB/2	6.7	7.5	2900	85													1320	1310				
CAAE 900/A	160 MA/2	8.8	11	2910	86							1440	1450	1470	1480	1480	1480	1470					

Model	Frame	kW ass	kW inst.	r.p.m.	dB	V m ³ /s									
						0.27	0.3	0.33	0.37	0.42					
						Pt kgf/m ² =mmH ₂ O									
CAAE 630/A	100 L/2	2.8	3	2850	80	710									
CAAE 710/B	112 M/2	3.7	4	2860	81	850	800								
CAAE 710/A	132 SA/2	5.3	5.5	2900	85	1000	940	900							
CAAE 800/A	132 SB/2	6.7	7.5	2900	85	1280									
CAAE 800/A	160 MA/2	8.5	11	2910	86		1240	1200	1140						
CAAE 900/A	160 MA/2	10	11	2910	87		1460	1420	1400	1350					

Flow margin ±5%
Noise level margin + 3... 5 dB

QUICK SELECT SYSTEM 4

Inlet characteristics

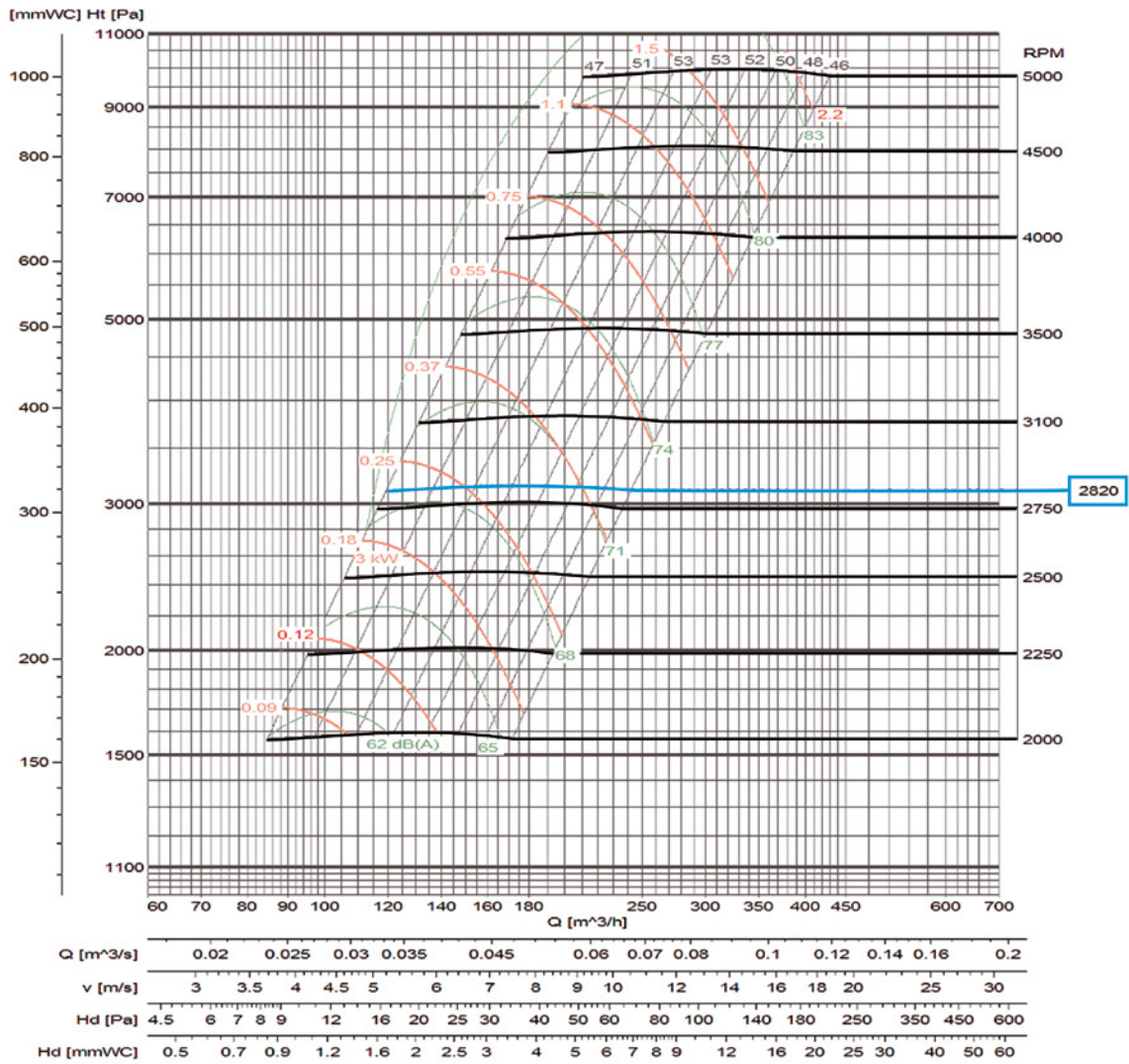
Model	Frame	kW ass	kW inst.	r.p.m.	dB	V m ³ /s																		
						0.033	0.05	0.067	0.083	0.092	0.1	0.12	0.13	0.15	0.17	0.18	0.2	0.23						
						Pt kgf/m ² =mmH ₂ O																		
CAAE 400/B	71 A/2	0.35	0.37	2800	71	236	235	235																
CAAE 400/B	71 B/2	0.5	0.55	2810	72				225	225	205													
CAAE 400/A	71 B/2	0.5	0.55	2810	73	310	310	310																
CAAE 400/A	80 A/2	0.65	0.75	2820	74				310	305	290	280												
CAAE 500/B	80 A/2	0.67	0.75	2820	75	380	400	390	385	385	385													
CAAE 500/B	80 B/2	0.9	1.1	2820	79							375	360											
CAAE 500/A	80 B/2	1	1.1	2820	77	465	485	490	490	490	485													
CAAE 500/A	90 S/2	1.3	1.5	2840	72							475	450	440										
CAAE 630/B	90 S/2	1.4	1.5	2840	80	575	600	615	625	630	635	625												
CAAE 630/B	90 L/2	2	2.2	2840	82										605	595	580	560	545	510				
CAAE 630/A	90 L/2	2.1	2.2	2840	83	700	725	745	765	765	775	770	765											
CAAE 630/A	100 L/2	2.8	3	2850	87										745	735	710	700	660					
CAAE 710/B	100 L/2	2.9	3	2850	85	765	800	815	835	835	840	850	845	835										
CAAE 710/B	112 M/2	3.7	4	2860	86												815	800	770	730				
CAAE 710/A	112 M/2	3.8	4	2860	87	840	870	900	920	930	935	935	930	930										
CAAE 710/A	132 SA/2	5.3	5.5	2900	89														900	880	830			
CAAE 800/A	132 SA/2	5.4	5.5	2900	88	1025	1065	1095	1125	1130	1135	1145	1150	1155	1150	1145								
CAAE 800/A	132 SB/2	6.7	7.5	2900	88																1120	1110		
CAAE 900/A	160 MA/2	8.8	11	2910	89							1240	1250	1270	1280	1290	1290	1280						

Model	Frame	kW ass	kW inst.	r.p.m.	dB	V m ³ /s									
						0.27	0.3	0.33	0.37	0.42					
						Pt kgf/m ² =mmH ₂ O									
CAAE 630/A	100 L/2	2.8	3	2850	87	620									
CAAE 710/B	112 M/2	3.7	4	2860	86	680	620								
CAAE 710/A	132 SA/2	5.3	5.5	2900	89	800	740	700							
CAAE 800/A	132 SB/2	6.7	7.5	2900	88	1080									
CAAE 800/A	160 MA/2	8.5	11	2910	90		1040	1000	950						
CAAE 900/A	160 MA/2	10	11	2910	90		1250	1210	1200	1130					

Flow margin ±5%
Noise level margin + 3... 5 dB

Characteristic curves

CAAE 400



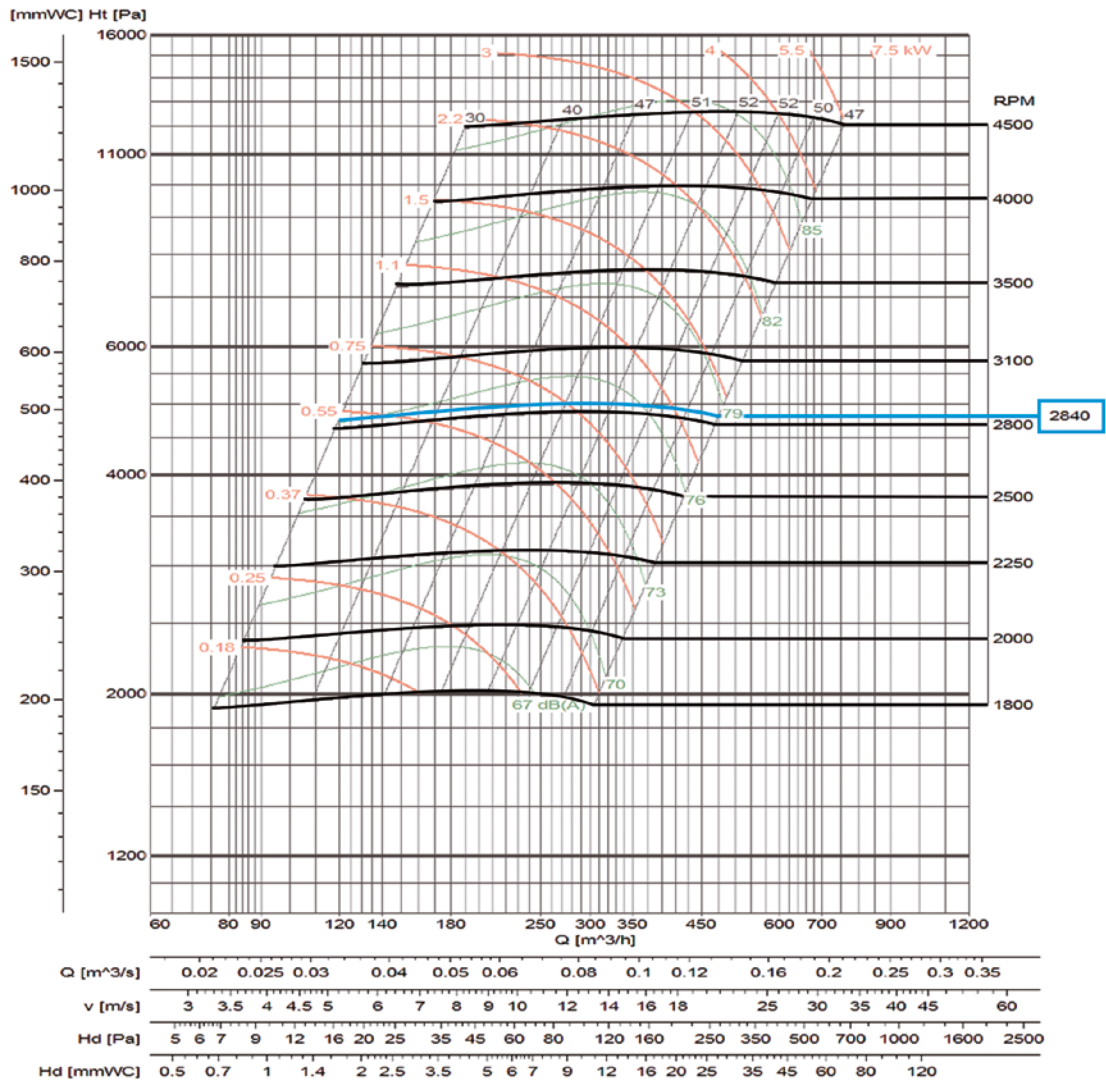
LARGE SERIES

Flow margin ±5%
 Noise level margin + 3... 5 dB
 Margin of kW absorbed ±3%
 Outlet characteristics.

Rpm Characteristics for: system 4 and 5 in direct drive motor with 2/4/6/8 poles depending on the model.

Characteristic curves

CAAE 500



Flow margin $\pm 5\%$
 Noise level margin + 3... 5 dB
 Margin of kW absorbed $\pm 3\%$

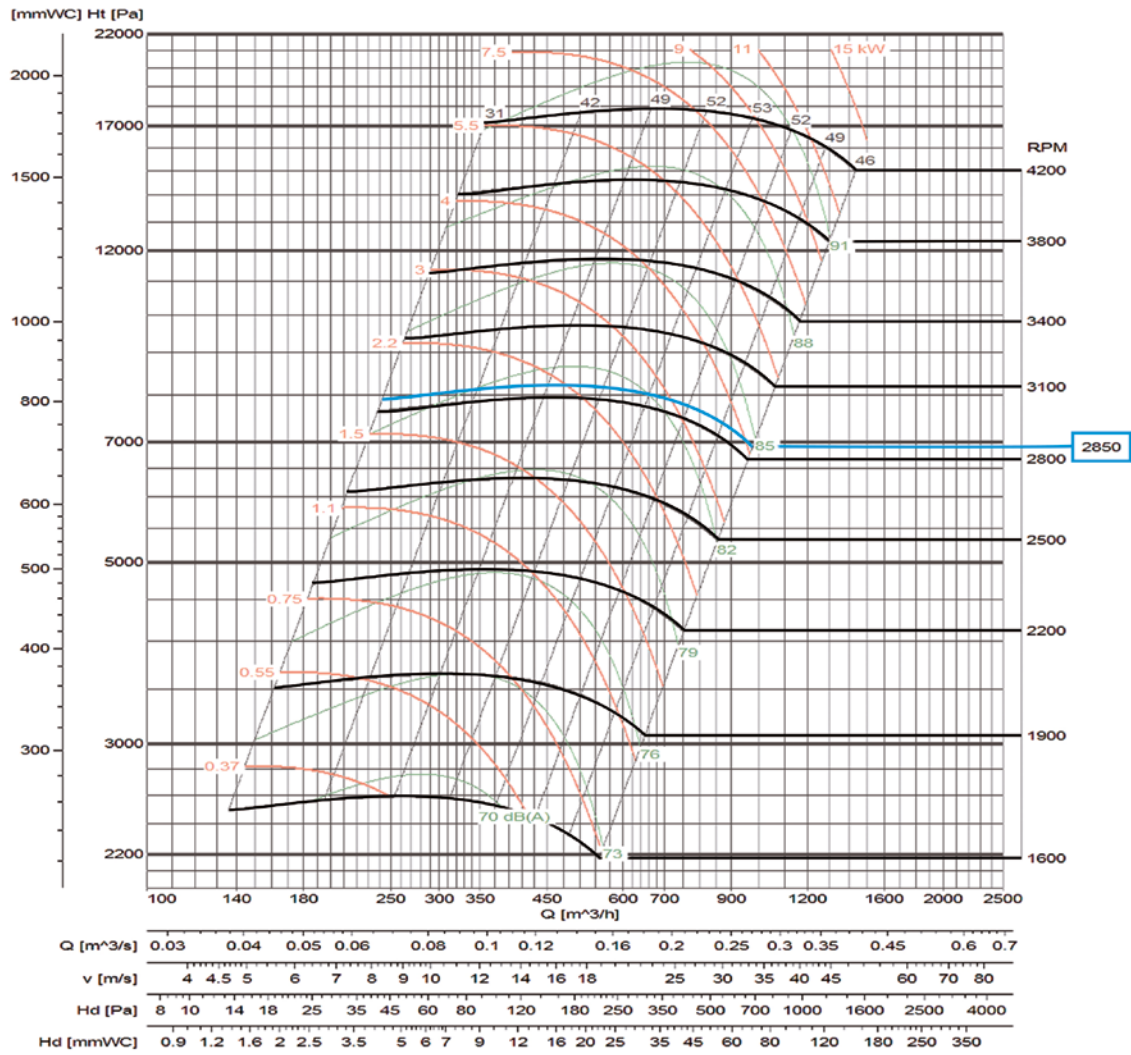
Outlet characteristics.

Rpm

Characteristics for: system 4 and 5 in direct drive motor with 2/4/6/8 poles depending on the model.

Characteristic curves

CAAE 630



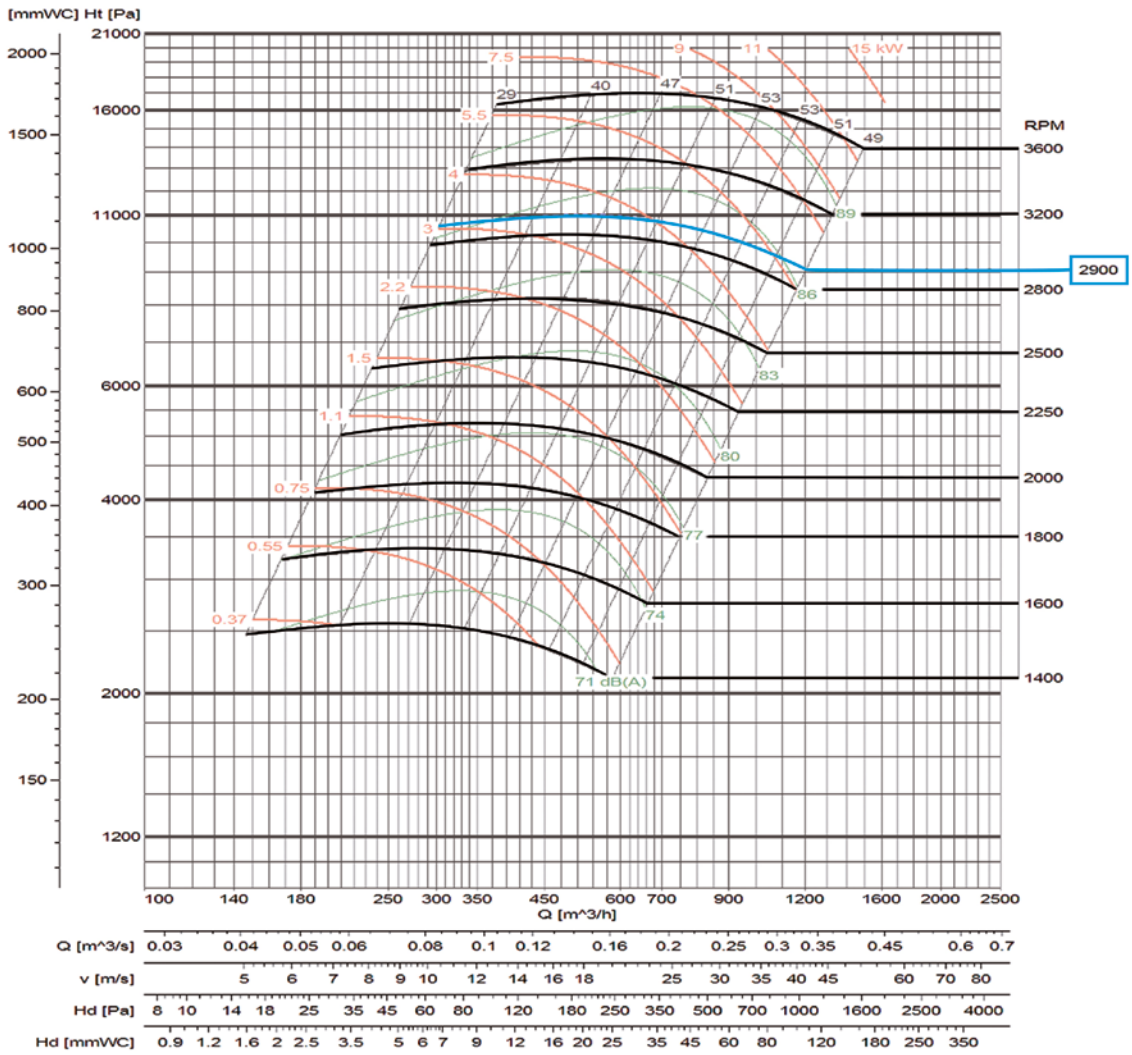
LARGE SERIES

Flow margin ±5%
 Noise level margin + 3... 5 dB
 Margin of kW absorbed ±3%
 Outlet characteristics.

Rpm Characteristics for: system 4 and 5 in direct drive motor with 2/4/6/8 poles depending on the model.

Characteristic curves

CAAE 710



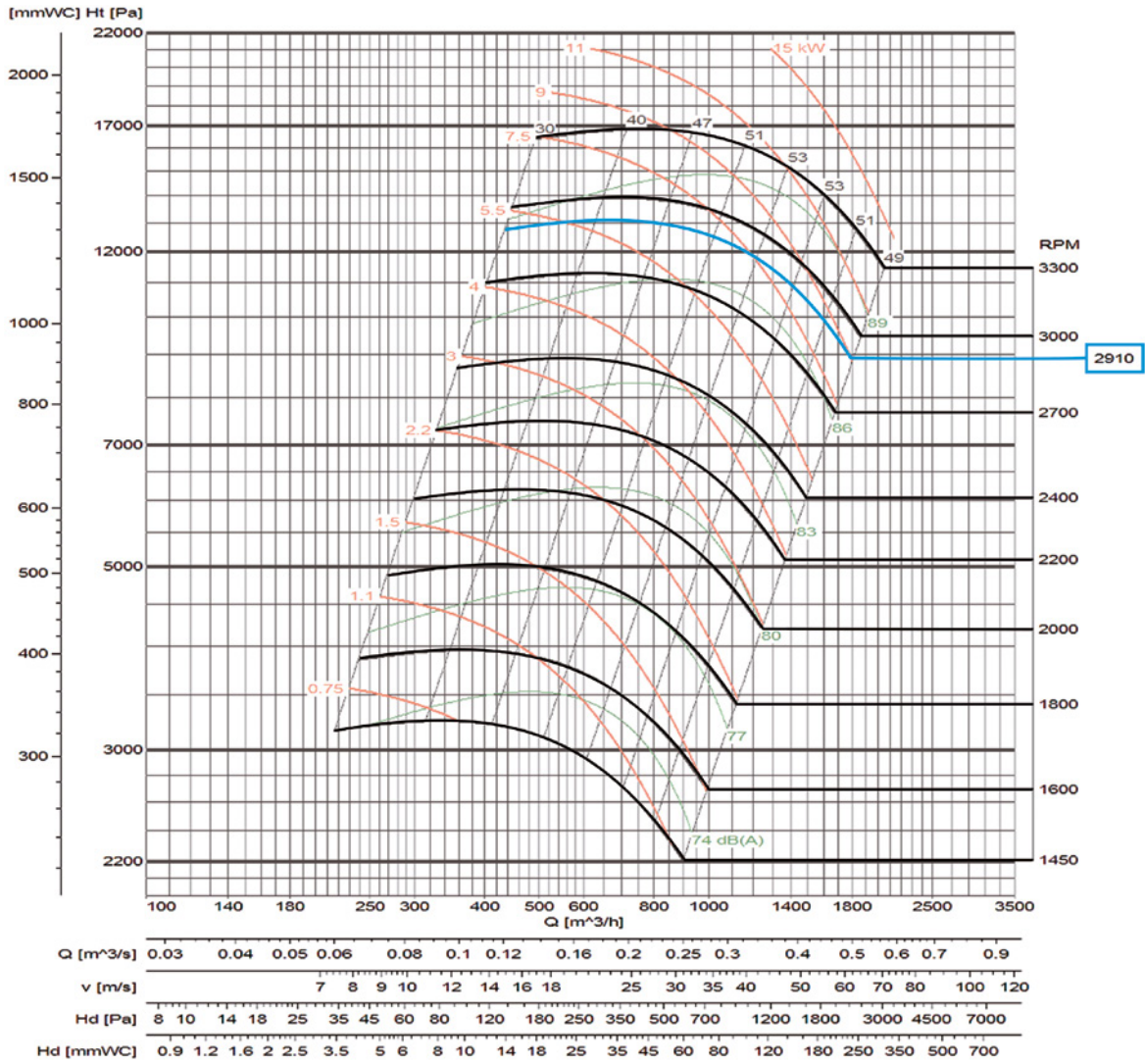
Flow margin $\pm 5\%$
 Noise level margin + 3... 5 dB
 Margin of kW absorbed $\pm 3\%$

Outlet characteristics.

Rpm Characteristics for: system 4 and 5 in direct drive motor with 2/4/6/8 poles depending on the model.

Characteristic curves

CAAE 800



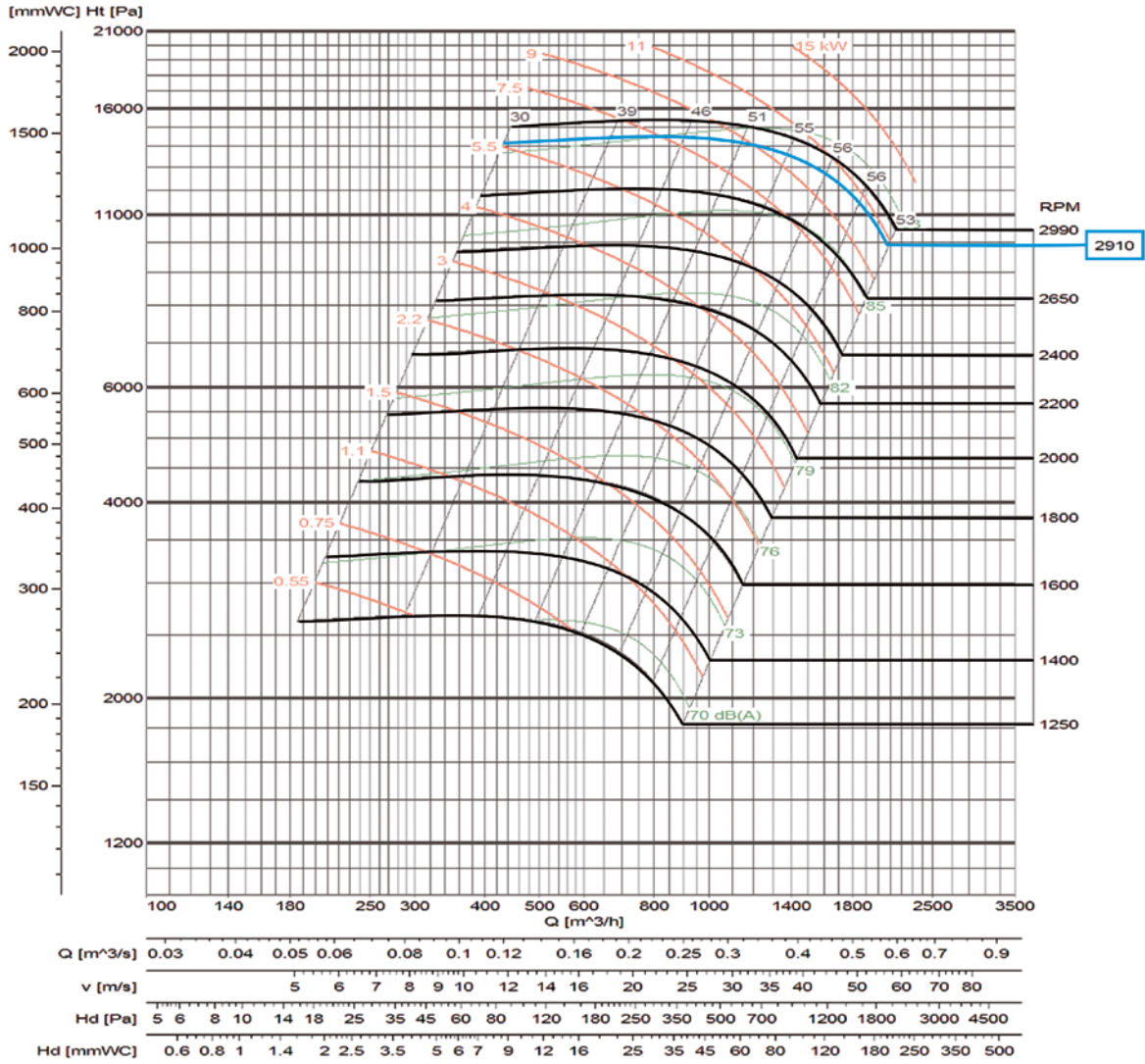
LARGE SERIES

Flow margin ±5%
 Noise level margin + 3... 5 dB
 Margin of kW absorbed ±3%
 Outlet characteristics.

Rpm Characteristics for: system 4 and 5 in direct drive motor with 2/4/6/8 poles depending on the model.

Characteristic curves

CAAE 900



LARGE SERIES

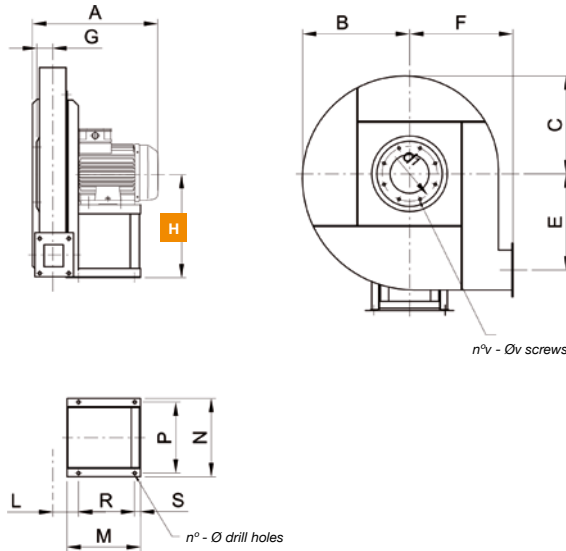
Flow margin ±5%
 Noise level margin + 3... 5 dB
 Margin of kW absorbed ±3%

Rpm Characteristics for: system 4 and 5 in direct drive motor with 2/4/6/8 poles depending on the model.

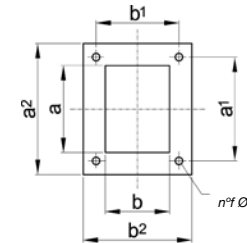
Outlet characteristics.

Dimensions mm

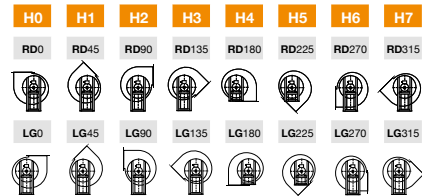
CAAE 400...900



OUTLET NOZZLE



ORIENTATIONS



H *The measurement of height H (distance between the ground and the axis) varies depending on the orientations

MOD.	FRAME	A*	B	C	E	F	G	HO-1-2-3	H4-5	H6-7	L	M*	N	P	R*
CAAE 400/B	71 A/2	320	260	250	220	250	42	300	250	300	87	190	244	220	115
CAAE 400/B	71 B/2	320	260	250	220	250	42	300	250	300	87	190	244	220	115
CAAE 400/A	71 B/2	320	260	250	220	250	42	300	250	300	87	190	244	220	115
CAAE 400/A	80 A/2	345	260	250	220	250	42	300	250	300	87	190	244	220	115
CAAE 500/B	80 A/2	345	320	310	280	300	42	355	300	355	87	190	244	220	115
CAAE 500/B	80 B/2	345	320	310	280	300	42	355	300	355	87	190	244	220	115
CAAE 500/A	80 B/2	345	320	310	280	300	42	355	300	355	87	190	244	220	115
CAAE 500/A	90 S/2	360	320	310	280	300	42	355	300	355	87	215	269	245	140
CAAE 630/B	90 S/2	370	375	365	330	355	50	425	355	425	92	215	269	245	140
CAAE 630/B	90 L/2	395	375	365	330	355	50	425	355	425	92	215	269	245	140
CAAE 630/A	90 L/2	395	375	365	330	355	50	425	355	425	92	215	269	245	140
CAAE 630/A	100 LA/2	425	375	365	330	355	50	425	355	425	92	260	312	280	185
CAAE 710/B	100 LA/2	425	425	410	380	400	50	475	400	475	92	260	312	280	185
CAAE 710/B	112 M/2	425	425	410	380	400	50	475	400	475	92	260	312	280	185
CAAE 710/A	112 M/2	425	425	410	380	400	50	475	400	475	92	260	312	280	185
CAAE 710/A	132 SA/2	515	425	410	380	400	50	475	400	475	92	320	342	310	245
CAAE 800/A	132 SA/2	515	475	460	430	450	50	530	450	530	92	320	342	310	245
CAAE 800/A	132 SB/2	515	475	460	430	450	50	530	450	530	92	320	342	310	245
CAAE 800/A	132 MB/2	540	475	460	430	450	50	530	450	530	92	320	342	310	245
CAAE 900/A	160 MA/2	550	570	545	530	525	55	630	525	630	98	320	342	310	245
CAAE 900/A	160 MA/2	595	570	545	530	525	55	630	525	630	98	425	440	400	345

OUTLET NOZZLE

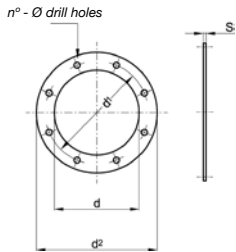
MOD.	S	n°	Φ	d ¹	n°v	Φv	a	b	a ¹	b ¹	a ²	b ²	n°f	Φf	kg	WD ²
CAAE 400/B	25	4	10	182	8	M6	94	68	112	90	150	128	4	10	28	0.3
CAAE 400/B	25	4	10	182	8	M6	94	68	112	90	150	128	4	10	30	0.3
CAAE 400/A	25	4	10	182	8	M6	94	68	112	90	150	128	4	10	31	0.4
CAAE 400/A	25	4	10	182	8	M6	94	68	112	90	150	128	4	10	35	0.4
CAAE 500/B	25	4	10	182	8	M6	94	68	112	90	150	128	4	10	40	0.8
CAAE 500/B	25	4	10	182	8	M6	94	68	112	90	150	128	4	10	41	0.8
CAAE 500/A	25	4	10	182	8	M6	94	68	112	90	150	128	4	10	42	1.2
CAAE 500/A	25	4	10	182	8	M6	94	68	112	90	150	128	4	10	50	1.2
CAAE 630/B	25	4	10	200	8	M6	105	77	125	100	165	137	4	10	60	2
CAAE 630/B	25	4	10	200	8	M6	105	77	125	100	165	137	4	10	62	2
CAAE 630/A	25	4	10	200	8	M6	105	77	125	100	165	137	4	10	65	3.2
CAAE 630/A	25	4	12	200	8	M6	105	77	125	100	165	137	4	10	80	3.2
CAAE 710/B	25	4	12	200	8	M6	105	77	125	100	165	137	4	10	95	4.7
CAAE 710/B	25	4	12	200	8	M6	105	77	125	100	165	137	4	10	100	4.7
CAAE 710/A	25	4	12	200	8	M6	105	77	125	100	165	137	4	10	105	6
CAAE 710/A	25	4	12	200	8	M6	105	77	125	100	165	137	4	10	125	6
CAAE 800/A	25	4	12	200	8	M6	105	77	125	100	165	137	4	10	145	9.5
CAAE 800/A	25	4	12	200	8	M6	105	77	125	100	165	137	4	10	150	9.5
CAAE 800/A	25	4	12	200	8	M6	105	77	125	100	165	137	4	10	160	9.5
CAAE 900/A	25	4	12	219	8	M6	117	87	140	112	177	147	4	10	190	15
CAAE 900/A	30	4	14	219	8	M6	117	87	140	112	177	147	4	10	220	15

*For "HIGH TEMP." constructions, elevations "A-M-R" + 50 mm.
(kg) Weight of fan with motor.
WD² = Moment of inertia of the impeller, expressed in Kg x m²

To obtain the dimensions of systems 1, 9 and 12 consult with our technical team.

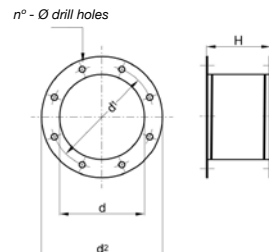
Accessories

Inlet counter flange



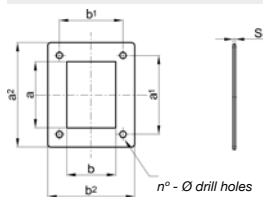
MOD.	d	d¹	d²	n°	Φ	s	kg
CAAE 400	145	182	215	8	9	4	0.6
CAAE 500	145	182	215	8	9	4	0.6
CAAE 630	165	200	235	8	9	4	0.65
CAAE 710	165	200	235	8	9	4	0.65
CAAE 800	165	200	235	8	9	4	0.65
CAAE 900	185	219	255	8	9	4	0.75

Inlet anti-vibration seal



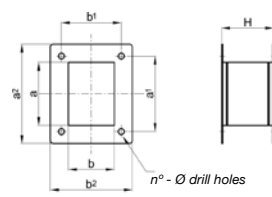
MOD.	d	d¹	d²	n°	Φ	H	kg
CAAE 400	145	182	215	8	9	200	1.5
CAAE 500	145	182	215	8	9	200	1.5
CAAE 630	165	200	235	8	9	200	1.6
CAAE 710	165	200	235	8	9	200	1.6
CAAE 800	165	200	235	8	9	200	1.6
CAAE 900	185	219	255	8	9	200	1.7

Impulsion counter-flange



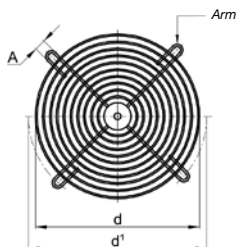
MOD.	a	b	a¹	b¹	a²	b²	n°	Φ	s	kg
CAAE 400	94	68	112	90	150	128	4	10	4	0.4
CAAE 500	94	68	112	90	150	128	4	10	4	0.4
CAAE 630	105	77	125	100	165	137	4	10	4	0.45
CAAE 710	105	77	125	100	165	137	4	10	4	0.45
CAAE 800	105	77	125	100	165	137	4	10	4	0.45
CAAE 900	117	87	140	112	177	147	4	10	4	0.5

Impulsion anti-vibration seal



MOD.	a	b	a¹	b¹	a²	b²	n°	Φ	H	kg
CAAE 400	94	68	112	90	150	128	4	10	200	1
CAAE 500	94	68	112	90	150	128	4	10	200	1
CAAE 630	105	77	125	100	165	137	4	10	200	1.1
CAAE 710	105	77	125	100	165	137	4	10	200	1.1
CAAE 800	105	77	125	100	165	137	4	10	200	1.1
CAAE 900	117	87	140	112	177	147	4	10	200	1.2

Inlet protection mesh

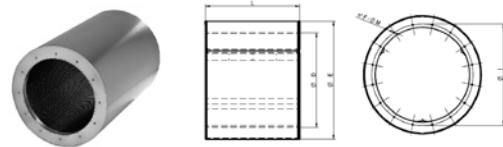


MOD.	d	d¹	A	n°	kg
CAAE 400	145	182	9	4	0.13
CAAE 500	145	182	9	4	0.13
CAAE 630	165	200	9	4	0.15
CAAE 710	165	200	9	4	0.15
CAAE 800	165	200	9	4	0.15
CAAE 900	185	219	9	4	0.18

Circular silencers

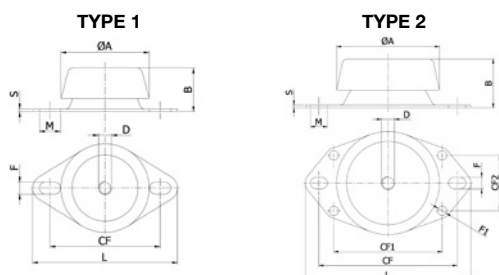
Silencers are used to lower the noise level at air conditioning or ventilation installation manufactured using galvanised steel.

- Upon request: other constructions using different materials.



øD	øE	L	øI	F	øM	øD	øE	L	øI	F	øM
315	515	ØD,1.5ØD, 2ØD	355	8	M8	900	1100	ØD,1.5ØD, 2ØD	970	16	M10
355	555	ØD,1.5ØD, 2ØD	395	8	M8	1000	1200	ØD,1.5ØD, 2ØD	1070	16	M10
400	600	ØD,1.5ØD, 2ØD	450	8	M8	1120	1320	ØD,1.5ØD, 2ØD	1190	20	M10
450	650	ØD,1.5ØD, 2ØD	500	8	M8	1250	1450	ØD,1.5ØD, 2ØD	1320	20	M10
500	700	ØD,1.5ØD, 2ØD	560	12	M8	1400	1600	ØD,1.5ØD, 2ØD	1470	20	M10
560	760	ØD,1.5ØD, 2ØD	620	12	M8	1500	1700	ØD,1.5ØD, 2ØD	1570	20	M10
630	830	ØD,1.5ØD, 2ØD	690	12	M8	1600	1800	ØD,1.5ØD, 2ØD	1680	24	M14
710	910	ØD,1.5ØD, 2ØD	770	16	M8	1700	1900	ØD,1.5ØD, 2ØD	1780	24	M14
800	1000	ØD,1.5ØD, 2ØD	860	16	M8	1800	2000	ØD,1.5ØD, 2ØD	1880	24	M14

Shock absorbers



MOD.	SHOCK-ABSORBERS MODEL	TYPE	øA	B	D	CF	CF1	CF2	F	øF1	L	M	S
CAAE 400	CF 623110	1	67	33...34	10	76.5	-	-	9	-	90.5	16	2
CAAE 500	CF 623110	1	67	33...34	10	76.5	-	-	9	-	90.5	16	2
CAAE 630	CF 623110	1	67	33...34	10	76.5	-	-	9	-	90.5	16	2
CAAE 710	CF 623110	1	67	33...34	10	76.5	-	-	9	-	90.5	16	2
CAAE 800	CF 924512	2	92	44...45	12	120	98	50	10.5	8.5	130	15.5	2.5
CAAE 900	CF 924512	2	92	44...45	12	120	98	50	10.5	8.5	130	15.5	2.5

DIRECT DRIVE MOTOR

CAAF

Extremely robust high pressure single inlet centrifugal fans with sheet steel casing and impeller
Designed for clean or dusty air



*The images are provided only for illustrative purposes, the product may vary depending on its size, specifications and position.

Fan:

- Sheet steel casing.
- Backward curved impeller made of very robust sheet steel, specially designed for clean and dusty air.
- Directly coupled motor.
- With inspection and cleaning hatch from size 560 and up.
- All casings continuously welded.

Motor:

- Motors with IE3 efficiency for powers equal to or greater than 0.75kW, except single-phase, 2-speed and 8-pole.
- Class F motors with ball bearings, IP55 protection.
- Three-phase 230/400 V 50 Hz (up to 4 kW) and 400/690 V 50 Hz (powers greater than 4 kW).
- Maximum temperature of air to be carried: -25 °C +90 °C.

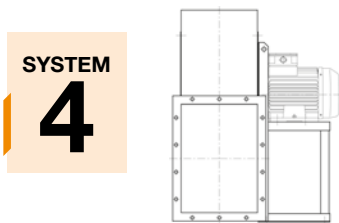
Finishing:

- Anti-corrosive finish in polyester resin, polymerised at 190 °C, after degreasing with phosphate-free nanotechnology treatment.

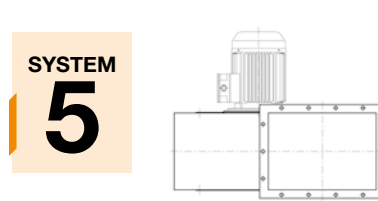
On request:

- Special windings for different voltages.
- Fan prepared to transport air up to +150 °C.
- Special executions for temperatures + 300 °C.
- Stainless steel fan.
- ATEX certified Category 2.
- System 8 elastic coupling.

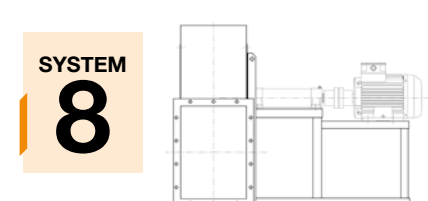
Direct drive motor construction method



Direct drive, impeller mounted on the motor shaft, mounted on the pedestal.



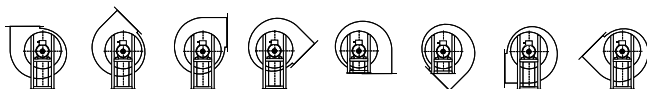
Direct drive, impeller mounted on the motor shaft, flange motor mounted on the fan casing.



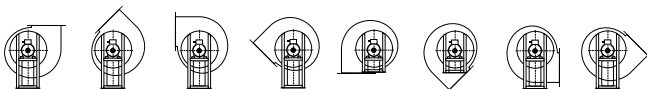
Elastic coupling drive, impeller mounted on the support shaft, mounted on the motor via an elastic coupling. Everything mounted together on a fan pedestal.

Orientations

RD 0 RD45 RD90 RD135 RD180 RD225 RD270 RD315



LG 0 LG45 LG90 LG135 LG180 LG225 LG270 LG315



LARGE SERIES

BELT-DRIVEN MOTOR

CAAF-X

Belt driven high pressure fans fitted with electric motors and a standardised set of pulleys, belts and protectors in accordance with standard ISO 13857
Designed for clean or dusty air



*The images are provided only for illustrative purposes, the product may vary depending on its size, specifications and position.

Fan:

- Sheet steel casing.
- Backward curved impeller made of very robust sheet steel, specially designed for clean and dusty air.
- Engine mounted on general bench.
- With inspection and cleaning hatch from size 560 and up.
- All casings continuously welded.

Motor:

- IE3 efficiency motors.
- Class F motors with ball bearings, IP55 protection.
- Three-phase 230/400 V 50 Hz (up to 4 kW) and 400/690 V 50 Hz (powers greater than 4 kW).
- Maximum temperature of air to be carried: -25 °C +90 °C.

Finishing:

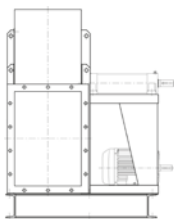
- Anti-corrosive finish in polyester resin, polymerised at 190 °C, after degreasing with phosphate-free nanotechnology treatment.

On request:

- Special windings for different voltages.
- Fan prepared to transport air up to +300 °C.
- Stainless steel fan.
- ATEX certified Category 2.
- System 8 elastic coupling.

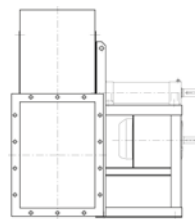
Belt-driven motor construction method

SYSTEM 12



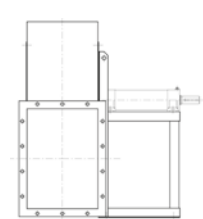
Transmission drive, identical to SYSTEM 1, with the motor and fan mounted on the common bench. Motor positions "W" or "Z" and exceptionally "X" or "Y".

SYSTEM 9



Transmission drive, identical to SYSTEM 1, with the motor mounted on the side of the pedestal, in position "W" or "Z".

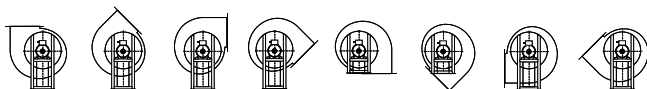
SYSTEM 1



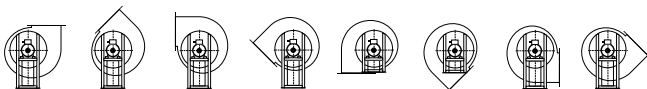
Transmission drive, impeller mounted on the support shaft. Support mounted on the pedestal.

Orientations

RD 0 RD45 RD90 RD135 RD180 RD225 RD270 RD315



LG 0 LG45 LG90 LG135 LG180 LG225 LG270 LG315



QUICK SELECT SYSTEM 4

Outlet characteristics

Model	Frame	kW ass	kW inst.	r.p.m.	dB	V m³/s																			
						0.167	0.183	0.2	0.23	0.267	0.3	0.33	0.367	0.416	0.467	0.516	0.58	0.67							
						Pt kgf/m²=mmH₂O																			
CAAF 475/A	90 L/2	2	2.2	2840	76	440	440	440	440	430	425	420													
CAAF 475/A	100 LA/2	2.7	3	2850	76							420	410												
CAAF 560/B	112 M/2	3.7	4	2860	80							560	560	560	560	560									
CAAF 560/B	132 SA/2	5	5.5	2900	80												550	540	530	510					
CAAF 560/A	112 M/2	3.7	4	2860	82							660	660	655	650	645									
CAAF 560/A	132 SA/2	5	5.5	2900	82												640	630	625	600					
CAAF 630/B	132 SA/2	5	5.5	2900	83							760	760	760	755	750	745								
CAAF 630/B	132 SB/2	7	7.5	2900	83														740	730	720				
CAAF 630/A	132 SB/2	7	7.5	2900	85							820	820	820	825	825	820	820	815						
CAAF 630/A	160 MA/2	8.6	11	2910	85																	800			
CAAF 710/B	132 SB/2	7.2	7.5	2900	86							950	955	960	960	960									
CAAF 710/B	160 MA/2	10	11	2910	88																	950			
CAAF 710/A	160 MA/2	10	11	2910	88												1050	1050	1050	1050	1050				
CAAF 710/A	160 MB/2	14.2	15	2930	88																	1050			
CAAF 800/B	160 MB/2	14.5	15	2930	90												1210	1215	1220	1220	1220				
CAAF 800/A	160 MB/2	14	15	2930	90												1350	1355	1360	1360					
CAAF 800/A	160 L/2	18	18.5	2940	90																	1365			
CAAF 900/B	180 M/2	20	22	2950	93																	1570	1570	1580	
CAAF 900/A	200 LA/2	28	30	2950	94																	1730	1735		

Model	Frame	kW ass	kW inst.	r.p.m.	dB	V m³/s											
						0.75	0.83	0.93	1.05	1.2	1.33	1.5	1.67	1.87	2.08	2.33	
						Pt kgf/m²=mmH₂O											
CAAF 630/B	132 SB/2	7	7.5	2900	83	710											
CAAF 630/A	160 MA/2	8.6	11	2910	85	790											
CAAF 710/B	160 MA/2	10	11	2910	88	940											
CAAF 710/B	160 MB/2	8.7	15	2930	88			920	905	880							
CAAF 710/A	160 MB/2	14.2	15	2930	88	1045	1045	1040									
CAAF 710/A	160 L/2	18	18.5	2940	88			1030	1020								
CAAF 800/B	160 MB/2	14.5	15	2930	90	1220											
CAAF 800/B	160 L/2	18	18.5	2940	90			1210	1205	1200							
CAAF 800/B	180 M/2	21.5	22	2950	90					1190	1180						
CAAF 800/A	160 L/2	18	18.5	2940	90	1365	1365										
CAAF 800/A	180 M/2	21	22	2950	93			1360	1360								
CAAF 800/A	200 LA/2	28.5	30	2950	93			1360	1340	1330	1320						
CAAF 900/B	180 M/2	20	22	2950	93	1580	1580										
CAAF 900/B	200 LA/2	29	30	2950	93			1570	1565	1560							
CAAF 900/B	200 LB/2	36	37	2960	95					1550	1550	1540					
CAAF 900/B	225 M/2	43.5	45	2960	95								1520	1510			
CAAF 900/A	200 LA/2	28	30	2950	94	1740	1740	1740									
CAAF 900/A	200 LB/2	36	37	2960	94			1740	1740								
CAAF 900/A	225 M/2	44	45	2960	96					1730	1725	1720					
CAAF 900/A	250 M/2	53	55	2970	96								1715	1700	1690		

Flow margin ±5%
Noise level margin + 3... 5 dB

LARGE SERIES

QUICK SELECT SYSTEM 4

Inlet characteristics

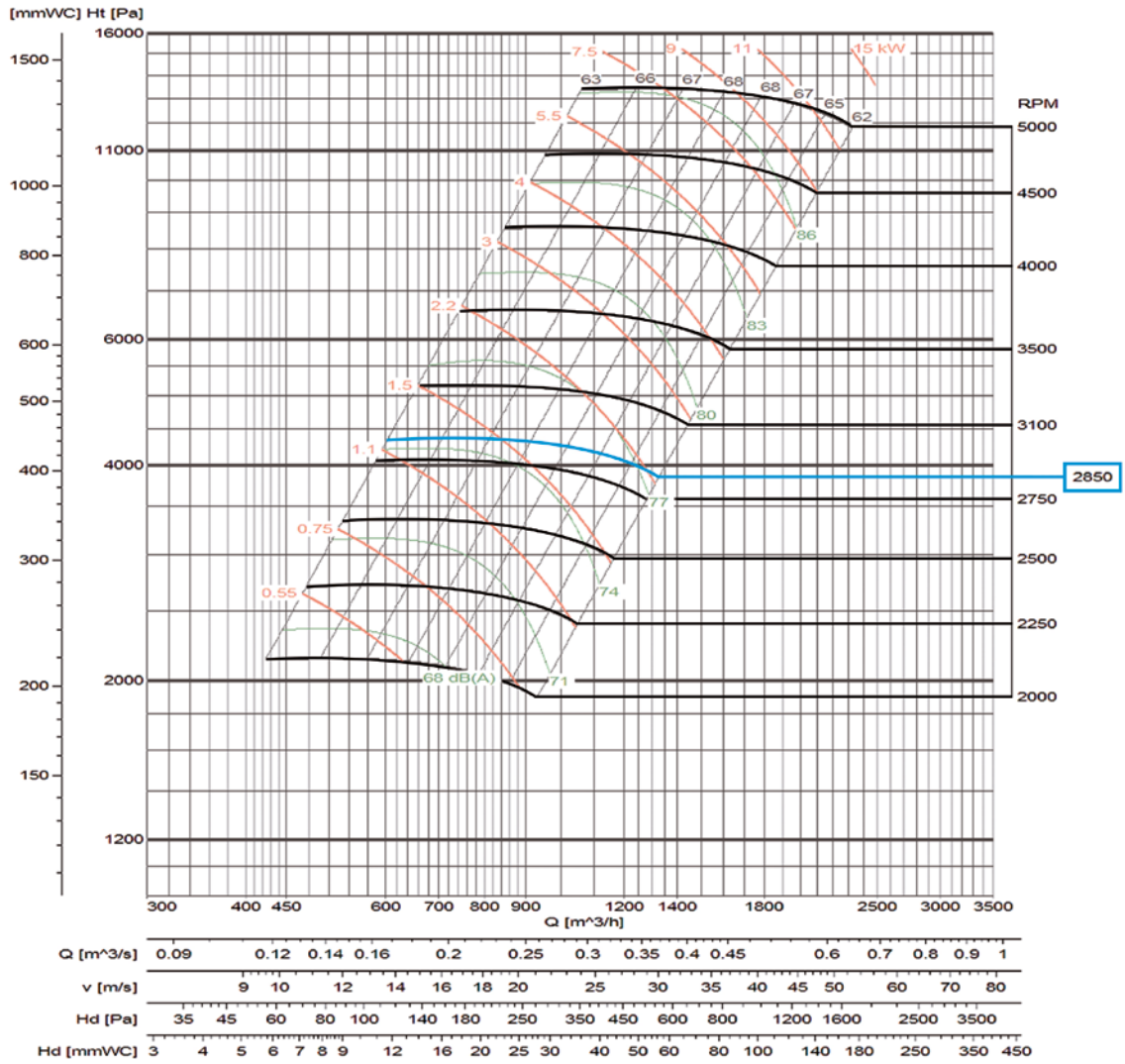
Model	Frame	kW ass	kW inst.	r.p.m.	dB	V m ³ /s													
						0.167	0.183	0.2	0.23	0.267	0.3	0.33	0.367	0.416	0.467	0.516	0.58	0.67	
						Pt kgf/m ² =mmH ₂ O													
CAAF 475/A	90 L/2	2	2.2	2840	81	425	425	425	425	415	410	410							
CAAF 475/A	100 LA/2	2.7	3	2850	81								410	410					
CAAF 560/B	112 M/2	3.7	4	2860	85				530	535	535	535	535						
CAAF 560/B	132 SA/2	5	5.5	2900	85									525	515	505	485		
CAAF 560/A	112 M/2	3.7	4	2860	88				625	630	625	620	615						
CAAF 560/A	132 SA/2	5	5.5	2900	88									610	600	595	570		
CAAF 630/B	132 SA/2	5	5.5	2900	89					715	715	715	710	705	700				
CAAF 630/B	132 SB/2	7	7.5	2900	89											695	690	680	
CAAF 630/A	132 SB/2	7	7.5	2900	91				760	760	760	760	760	760	765	760	760		
CAAF 630/A	160 MA/2	8.6	11	2910	91														760
CAAF 710/B	132 SB/2	7.2	7.5	2900	94					870	875	880	880	880					
CAAF 710/B	160 MA/2	10	11	2910	91														875
CAAF 710/A	160 MA/2	10	11	2910	94								950	950	950	950	950		
CAAF 710/A	160 MB/2	14.2	15	2930	94														950
CAAF 800/B	160 MB/2	14.5	15	2930	96									1060	1065	1070	1070	1070	
CAAF 800/A	160 MB/2	14	15	2930	99									1170	1175	1180	1180		
CAAF 800/A	160 L/2	18	18.5	2940	99														1185
CAAF 900/B	180 M/2	20	22	2950	99											1320	1320	1330	
CAAF 900/A	200 LA/2	28	30	2950	100														1440

Model	Frame	kW ass	kW inst.	r.p.m.	dB	V m ³ /s													
						0.75	0.83	0.93	1.05	1.2	1.33	1.5	1.67	1.87	2.08	2.33			
						Pt kgf/m ² =mmH ₂ O													
CAAF 630/B	132 SB/2	7	7.5	2900	89	670													
CAAF 630/A	160 MA/2	8.6	11	2910	91	750	740												
CAAF 710/B	160 MA/2	10	11	2910	91	870													
CAAF 710/B	160 MB/2	8.7	15	2930	91		855	845	820										
CAAF 710/A	160 MB/2	14.2	15	2930	94	945	945	940											
CAAF 710/A	160 L/2	18	18.5	2940	94				930	920									
CAAF 800/B	160 MB/2	14.5	15	2930	96	1070													
CAAF 800/B	160 L/2	18	18.5	2940	96		1060	1060	1060	1060									
CAAF 800/B	180 M/2	21.5	22	2950	96						1055	1050							
CAAF 800/A	160 L/2	18	18.5	2940	99	1185	1185												
CAAF 800/A	180 M/2	21	22	2950	99			1180	1180										
CAAF 800/A	200 LA/2	28.5	30	2950	99					1180	1165	1160	1150						
CAAF 900/B	180 M/2	20	22	2950	99	1330	1330												
CAAF 900/B	200 LA/2	29	30	2950	99														
CAAF 900/B	200 LB/2	36	37	2960	101						1310	1310	1305						
CAAF 900/B	225 M/2	43.5	45	2960	101											1295	1295		
CAAF 900/A	200 LA/2	28	30	2950	100	1450	1450	1450											
CAAF 900/A	200 LB/2	36	37	2960	100				1450	1430									
CAAF 900/A	225 M/2	44	45	2960	102						1435	1430	1420						
CAAF 900/A	250 M/2	53	55	2970	102											1415	1400	1390	

Flow margin ±5%
Noise level margin + 3... 5 dB

Characteristic curves

CAAF 475



LARGE SERIES

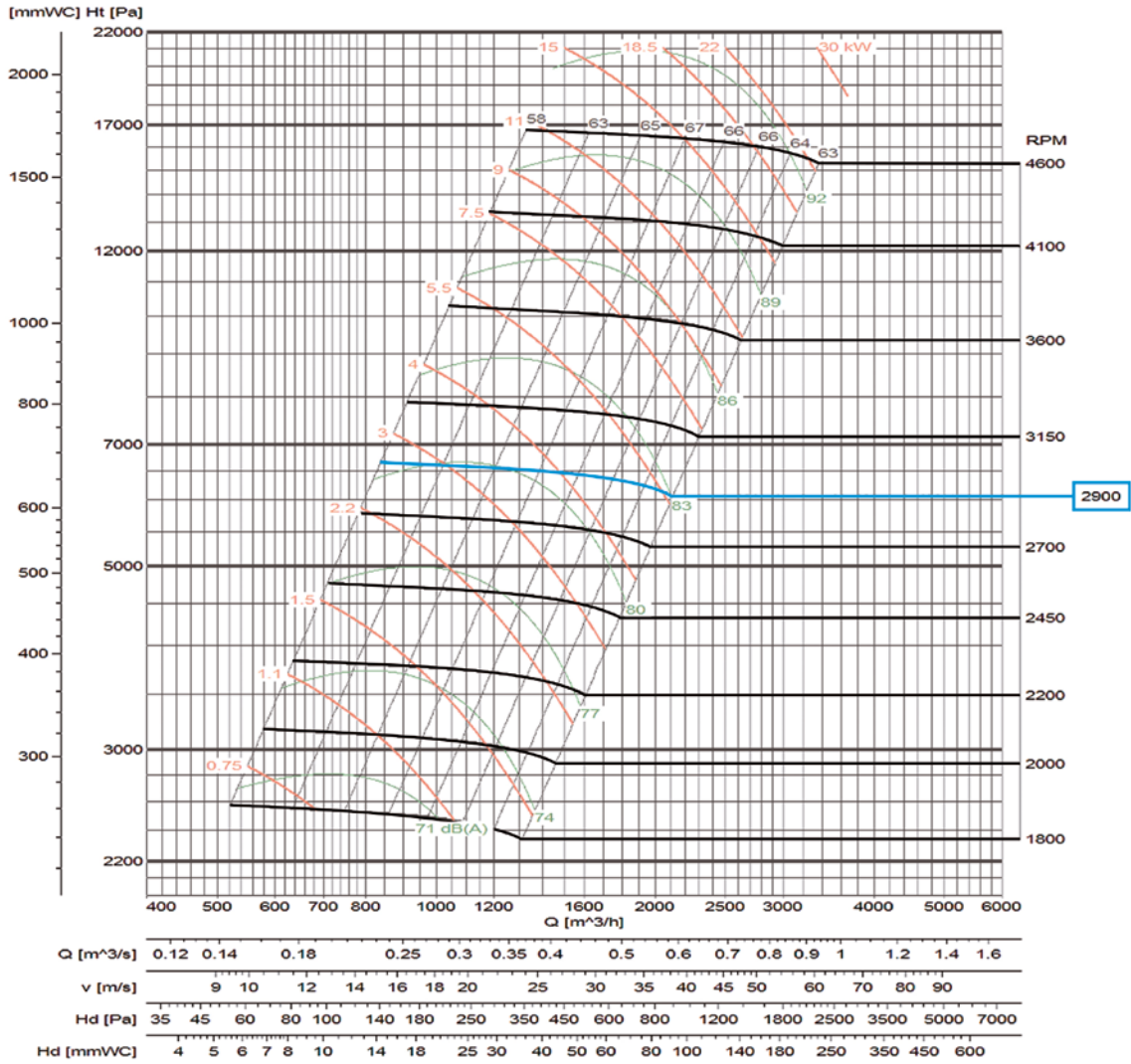
Flow margin ±5%
 Noise level margin + 3... 5 dB
 Margin of kW absorbed ±3%

Rpm Characteristics for: system 4 and 5 in direct drive motor with 2/4/6/8 poles depending on the model.

Outlet characteristics.

Characteristic curves

CAAF 560



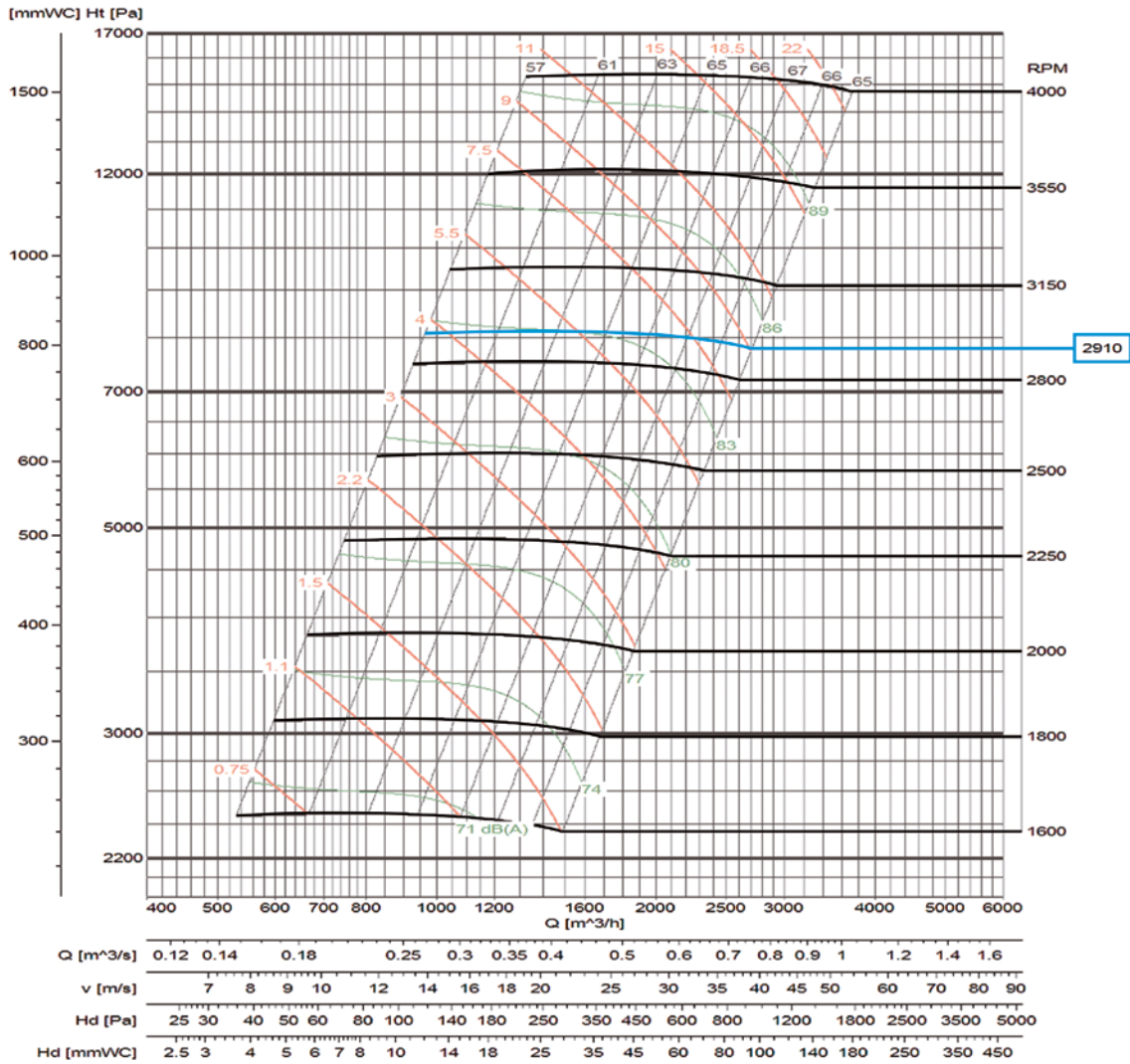
Flow margin ±5%
 Noise level margin + 3... 5 dB
 Margin of kW absorbed ±3%

Outlet characteristics.

Rpm Characteristics for: system 4 and 5 in direct drive motor with 2/4/6/8 poles depending on the model.

Characteristic curves

CAAF 630



LARGE SERIES

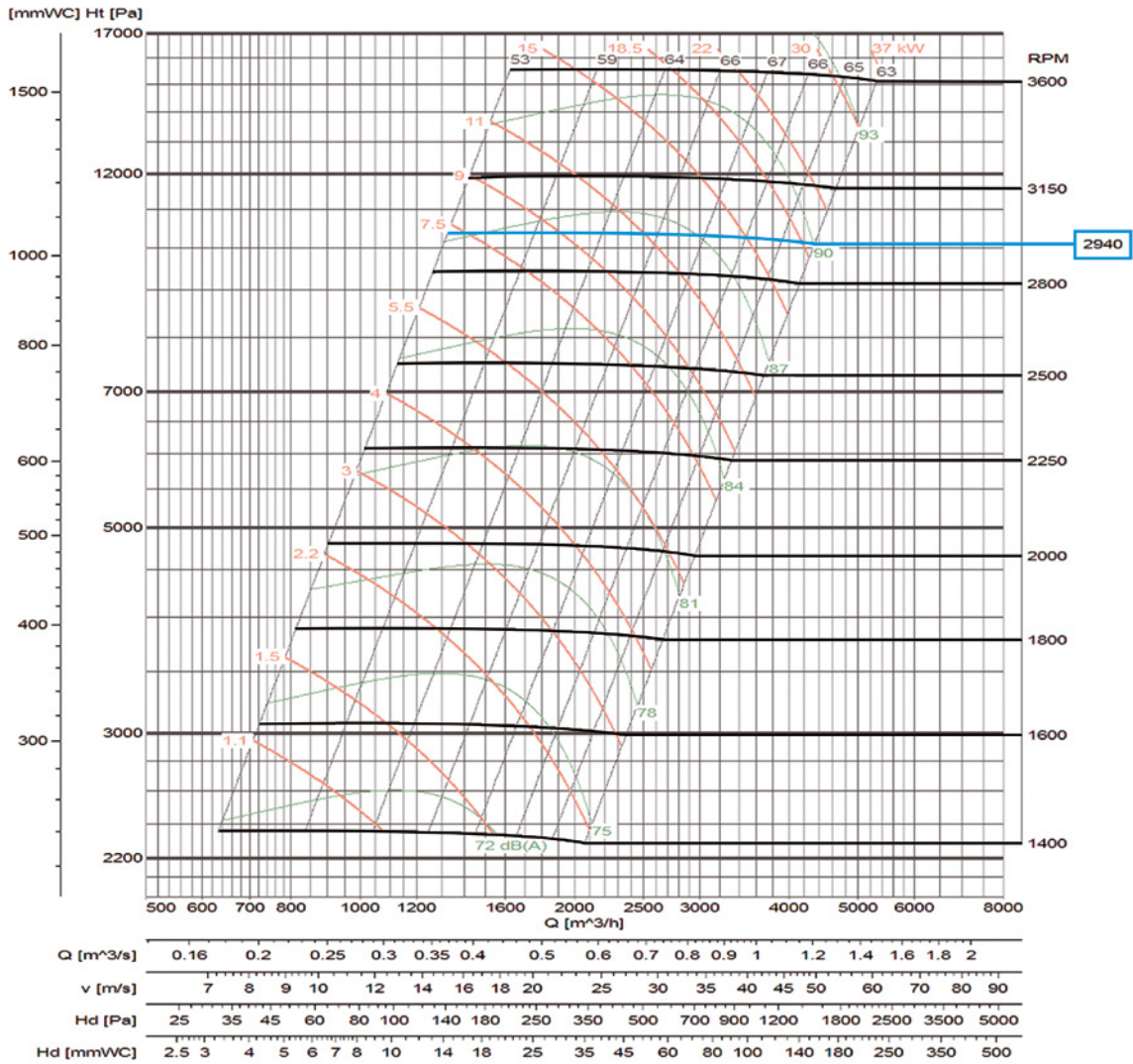
Flow margin ±5%
 Noise level margin + 3... 5 dB
 Margin of kW absorbed ±3%

Outlet characteristics.

Rpm Characteristics for: system 4 and 5 in direct drive motor with 2/4/6/8 poles depending on the model.

Characteristic curves

CAAF 710

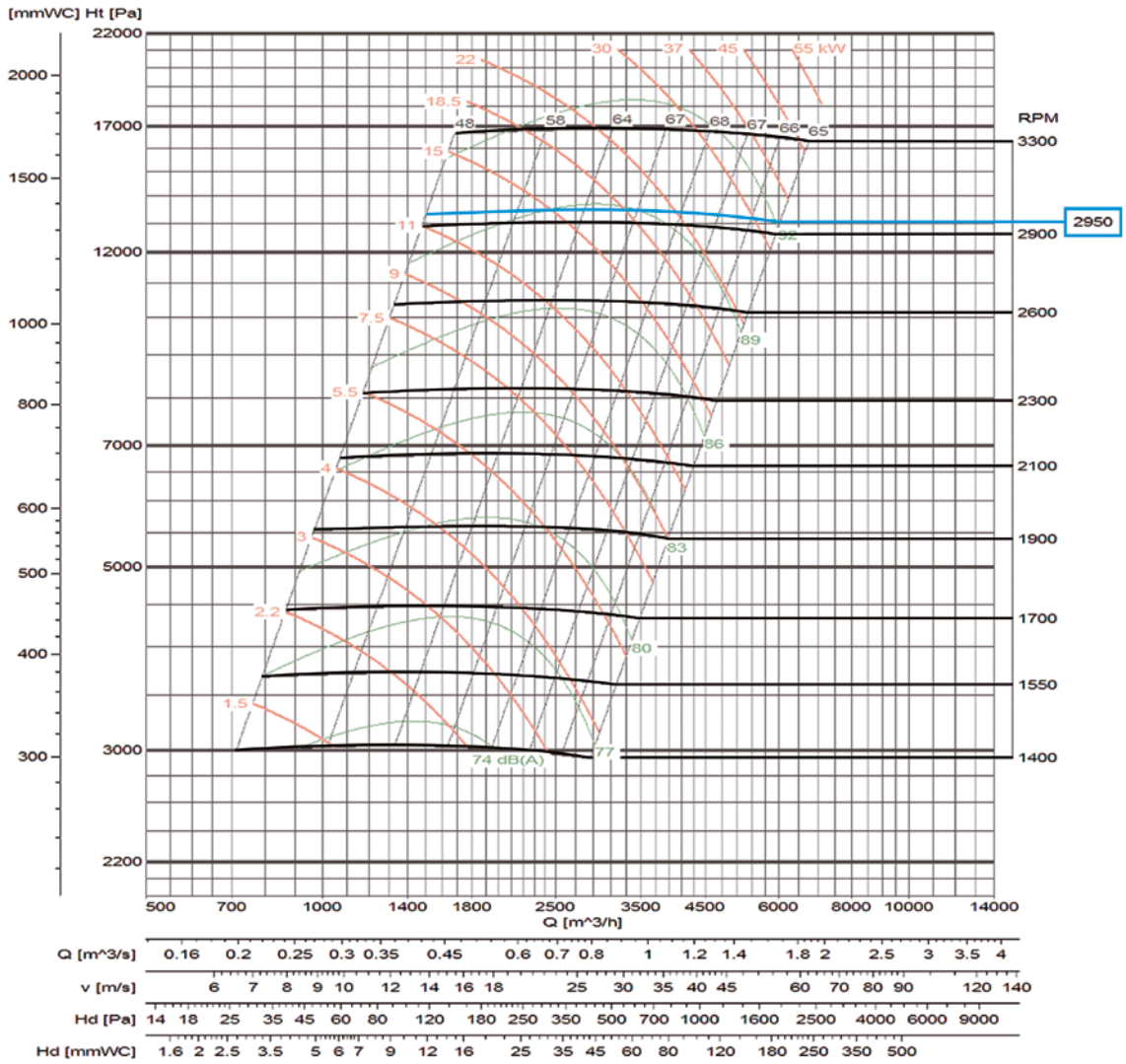


Flow margin ±5%
 Noise level margin + 3... 5 dB
 Margin of kW absorbed ±3%
 Outlet characteristics.

Rpm Characteristics for: system 4 and 5 in direct drive motor with 2/4/6/8 poles depending on the model.

Characteristic curves

CAAF 800



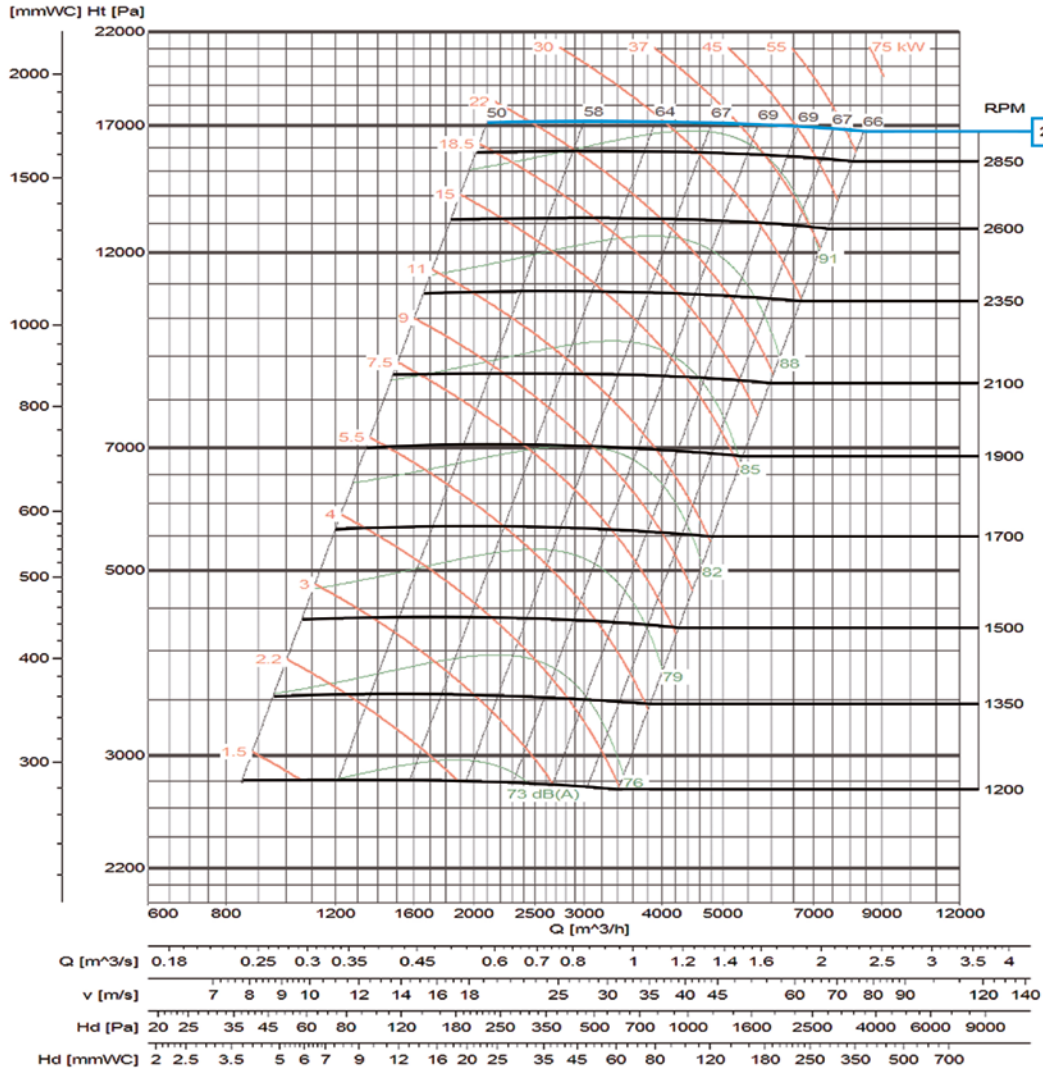
LARGE SERIES

Flow margin ±5%
 Noise level margin + 3... 5 dB
 Margin of kW absorbed ±3%
 Outlet characteristics.

Rpm Characteristics for: system 4 and 5 in direct drive motor with 2/4/6/8 poles depending on the model.

Characteristic curves

CAAF 900



Flow margin ±5%
 Noise level margin + 3... 5 dB
 Margin of kW absorbed ±3%

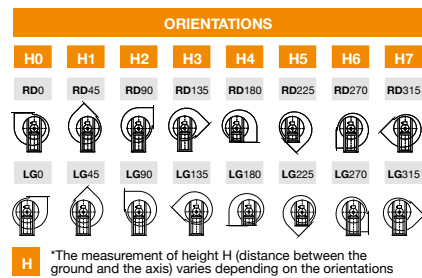
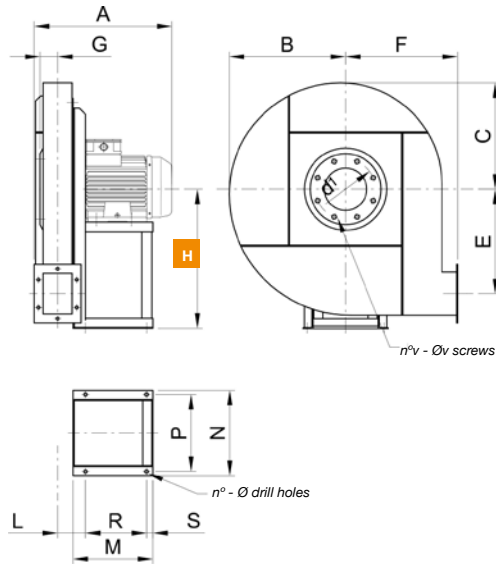
Outlet characteristics.

Rpm Characteristics for: system 4 and 5 in direct drive motor with 2/4/6/8 poles depending on the model.

Dimensions mm

SYSTEM
4

CAAF 475...900



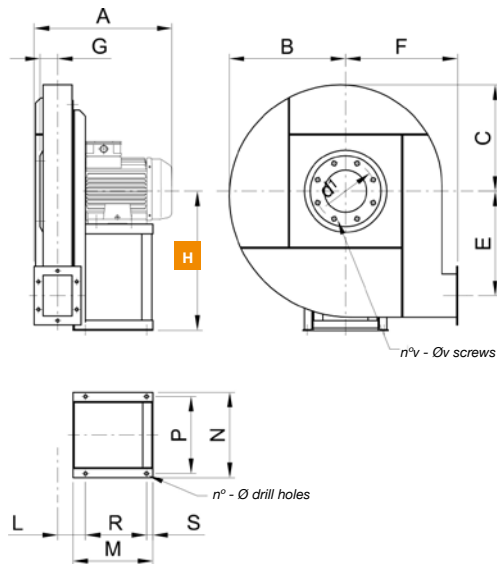
MOD.	FRAME	A*	B	C	E	F	G	HO-1-2-3	H4-5	H6-7	L	M*	N	P	R*	S	n°	Φ
CAAF 475/A	90 L/2	420	380	350	337	355	59	450	355	450	101	215	269	245	140	25	4	10
CAAF 475/A	100 LA/2	450	380	350	337	355	59	450	355	450	101	260	312	280	185	25	4	12
CAAF 560/B	112 M/2	465	425	390	380	400	63	500	400	500	106	260	312	280	185	25	4	12
CAAF 560/B	132 SA/2	555	425	390	380	400	63	500	400	500	106	320	342	310	245	25	4	12
CAAF 560/A	112 M/2	465	425	390	380	400	63	500	400	500	106	260	312	280	185	25	4	12
CAAF 560/A	132 SA/2	555	425	390	380	400	63	500	400	500	106	320	342	310	245	25	4	12
CAAF 630/B	132 SA/2	565	470	430	420	450	70	560	450	560	112	320	342	310	245	25	4	12
CAAF 630/B	132 SB/2	565	470	430	420	450	70	560	450	560	112	320	342	310	245	25	4	12
CAAF 630/A	132 SB/2	565	470	430	420	450	70	560	450	560	112	320	342	310	245	25	4	12
CAAF 630/A	160 MA/2	595	470	430	420	450	70	560	450	560	112	320	342	310	245	25	4	12
CAAF 710/B	132 SB/2	580	525	475	470	475	77	630	475	630	119	320	342	310	245	25	4	12
CAAF 710/B	160 MA/2	650	525	475	470	475	77	630	475	630	119	425	440	400	345	30	4	14
CAAF 710/B	160 MB/2	650	525	475	470	475	77	630	475	630	119	425	440	400	345	30	4	14
CAAF 710/A	160 MA/2	650	525	475	470	475	77	630	475	630	119	425	440	400	345	30	4	14
CAAF 710/A	160 MB/2	650	525	475	470	475	77	630	475	630	119	425	440	400	345	30	4	14
CAAF 710/A	160 L/2	730	525	475	470	475	77	630	475	630	119	425	440	400	345	30	4	14
CAAF 800/B	160 MB/2	665	595	540	537	530	85	710	530	710	127	425	440	400	345	30	4	14
CAAF 800/B	160 L/2	745	595	540	537	530	85	710	530	710	127	425	440	400	345	30	4	14
CAAF 800/B	180 M/2	785	595	540	537	530	85	710	530	710	127	470	490	450	370	30	4	17
CAAF 800/A	160 MB/2	665	595	540	537	530	85	710	530	710	127	425	440	400	345	30	4	14
CAAF 800/A	160 L/2	745	595	540	537	530	85	710	530	710	127	425	440	400	345	30	4	14
CAAF 800/A	180 M/2	785	595	540	537	530	85	710	530	710	147	470	490	450	370	30	4	17
CAAF 800/A	200 LA/2	845	595	540	537	530	85	710	530	710	157	540	608	565	420	40	4	19
CAAF 900/B	180 M/2	805	670	615	600	600	92	800	600	800	156	470	490	450	370	30	4	17
CAAF 900/B	200 LA/2	865	670	615	600	600	92	800	600	800	166	540	558	515	420	40	4	19
CAAF 900/B	200 LB/2	865	670	615	600	600	92	800	600	800	166	540	558	515	420	40	4	19
CAAF 900/B	225 M/2	915	670	615	600	600	92	800	600	800	166	550	608	565	430	40	4	19
CAAF 900/A	200 LA/2	865	670	615	600	600	92	800	600	800	166	540	558	515	420	40	4	19
CAAF 900/A	200 LB/2	865	670	615	600	600	92	800	600	800	166	540	558	515	420	40	4	19
CAAF 900/A	225 M/2	915	670	615	600	600	92	800	600	800	166	550	608	565	430	40	4	19
CAAF 900/A	250 M/2	990	670	615	600	600	92	800	600	800	166	620	704	645	490	50	4	19

*For "HIGH TEMP." constructions, elevations "A-M-R" + 50 mm.
(kg) Weight of fan with motor.
WD* = Moment of inertia of the impeller, expressed in Kg x m²

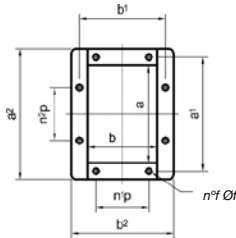
LARGE SERIES

Dimensions mm

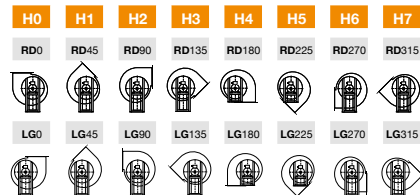
CAAF 475...900



OUTLET NOZZLE



ORIENTATIONS



H *The measurement of height H (distance between the ground and the axis) varies depending on the orientations

OUTLET NOZZLE

MOD.	d ¹	n ^v	Øv	a	b	a ¹	b ¹	a ²	b ²	n ^{1p}	n ^{2p}	n ^f	Øf	kg	WD ²
CAAF 475/A	200	8	M6	129	95	165	130	189	155	-	1-100	6	10	65	1
CAAF 475/A	200	8	M6	129	95	165	130	189	155	-	1-100	6	10	75	1
CAAF 560/B	219	8	M6	145	106	182	141	215	176	-	1-112	6	10	90	1.6
CAAF 560/B	219	8	M6	145	106	182	141	215	176	-	1-112	6	10	110	1.6
CAAF 560/A	219	8	M6	145	106	182	141	215	176	-	1-112	6	10	95	2.3
CAAF 560/A	219	8	M6	145	106	182	141	215	176	-	1-112	6	10	120	2.3
CAAF 630/B	241	8	M6	165	117	200	153	235	187	-	1-112	6	10	135	2.9
CAAF 630/B	241	8	M6	165	117	200	153	235	187	-	1-112	6	10	140	2.9
CAAF 630/A	241	8	M6	165	117	200	153	235	187	-	1-112	6	10	145	3.3
CAAF 630/A	241	8	M6	165	117	200	153	235	187	-	1-112	6	10	160	3.3
CAAF 710/B	265	8	M6	185	131	219	167	255	201	-	1-112	6	10	165	4.6
CAAF 710/B	265	8	M6	185	131	219	167	255	201	-	1-112	6	10	190	4.6
CAAF 710/B	265	8	M6	185	131	219	167	255	201	-	1-112	6	10	225	4.6
CAAF 710/A	265	8	M6	185	131	219	167	255	201	-	1-112	6	10	200	5.8
CAAF 710/A	265	8	M6	185	131	219	167	255	201	-	1-112	6	10	230	5.8
CAAF 710/A	265	8	M6	185	131	219	167	255	201	-	1-112	6	10	250	5.8
CAAF 800/B	292	8	M8	205	146	241	182	275	216	1-112	1-112	8	12	270	7.5
CAAF 800/B	292	8	M8	205	146	241	182	275	216	1-112	1-112	8	12	290	7.5
CAAF 800/B	292	8	M8	205	146	241	182	275	216	1-112	1-112	8	12	320	7.5
CAAF 800/A	292	8	M8	205	146	241	182	275	216	1-112	1-112	8	12	280	10
CAAF 800/A	292	8	M8	205	146	241	182	275	216	1-112	1-112	8	12	290	10
CAAF 800/A	292	8	M8	205	146	241	182	275	216	1-112	1-112	8	12	320	10
CAAF 800/A	292	8	M8	205	146	241	182	275	216	1-112	1-112	8	12	370	10
CAAF 900/B	332	8	M8	229	164	265	200	299	234	1-112	1-112	8	12	370	12.5
CAAF 900/B	332	8	M8	229	164	265	200	299	234	1-112	1-112	8	12	400	12.5
CAAF 900/B	332	8	M8	229	164	265	200	299	234	1-112	1-112	8	12	460	12.5
CAAF 900/B	332	8	M8	229	164	265	200	299	234	1-112	1-112	8	12	500	12.5
CAAF 900/A	332	8	M8	229	164	265	200	299	234	1-112	1-112	8	12	420	15.5
CAAF 900/A	332	8	M8	229	164	265	200	299	234	1-112	1-112	8	12	480	15.5
CAAF 900/A	332	8	M8	229	164	265	200	299	234	1-112	1-112	8	12	520	15.5
CAAF 900/A	332	8	M8	229	164	265	200	299	234	1-112	1-112	8	12	600	15.5

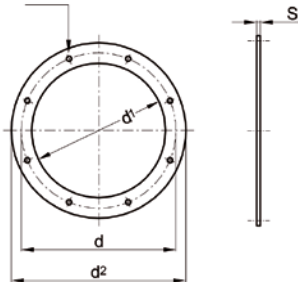
*For "HIGH TEMP." constructions, elevations "A-M-R" + 50 mm.
(kg) Weight of fan with motor.
WD² = Moment of inertia of the impeller, expressed in Kg x m²

To obtain the dimensions of systems 1, 9 and 12 consult with our technical team.

Accessories

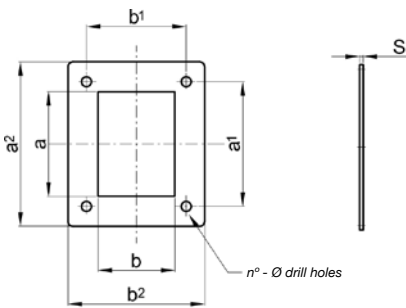
Inlet counter flange

n° - Ø drill holes



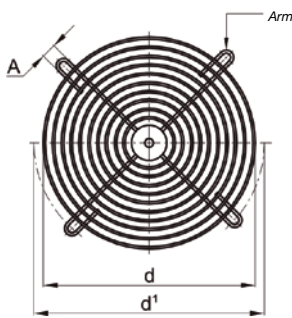
MOD.	d	d'	d²	n°	Φ	s	kg
CAAF 475	200	165	235	8	9	4	0.65
CAAF 560	219	185	255	8	9	4	0.7
CAAF 630	241	205	275	8	9	4	0.75
CAAF 710	265	229	299	8	9	4	0.8
CAAF 800	292	255	325	8	11	4	1
CAAF 900	332	286	366	8	11	5	1.6

Impulsion counter-flange



MOD.	a	b	a'	b'	a²	b²	n¹p	n²p	nº	Φ	s	kg
CAAF 475	129	95	165	130	189	155	-	1-100	6	10	4	0.5
CAAF 560	145	106	182	141	215	176	-	1-112	6	10	4	0.7
CAAF 630	165	117	200	153	235	187	-	1-112	6	10	4	0.75
CAAF 710	185	131	219	167	255	201	-	1-112	6	10	4	0.8
CAAF 800	206	147	241	182	276	217	1-112	1-112	8	12	4	0.9
CAAF 900	229	167	265	200	299	234	1-112	1-112	8	12	4	1

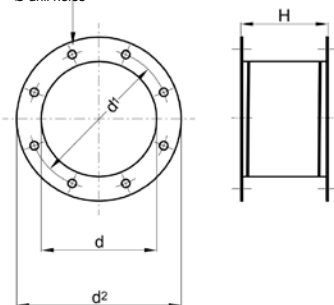
Inlet protection mesh



MOD.	d	d'	A	n°	kg
CAAF 475	165	200	9	4	0.15
CAAF 560	185	219	9	4	0.18
CAAF 630	205	241	9	4	0.2
CAAF 710	229	265	9	4	0.25
CAAF 800	255	292	11	4	0.3
CAAF 900	286	332	11	4	0.35

Inlet anti-vibration seal

n° - Ø drill holes

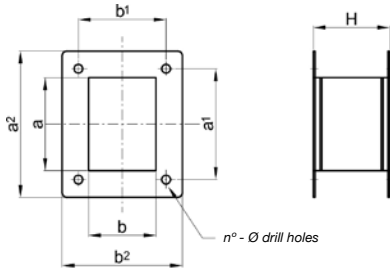


MOD.	d	d'	d²	n°	Φ	H	kg
CAAF 475	200	165	235	8	9	200	1.6
CAAF 560	219	185	255	8	9	200	1.7
CAAF 630	241	205	275	8	9	200	1.8
CAAF 710	265	229	299	8	9	200	2
CAAF 800	292	255	325	8	11	200	2.2
CAAF 900	332	286	366	8	11	200	3.4

LARGE SERIES

Accessories

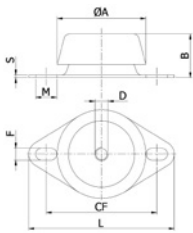
Impulsion anti-vibration seal



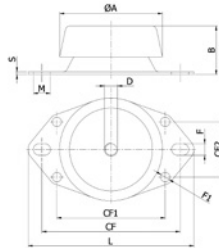
MOD.	a	b	a ¹	b ¹	a ²	b ²	n ^o p	n ² p	n ^o	Φ	H	kg
CAAF 475	129	95	165	130	189	155	-	1-100	6	10	200	1.2
CAAF 560	145	106	182	141	215	176	-	1-112	6	10	200	1.6
CAAF 630	165	117	200	153	235	187	-	1-112	6	10	200	1.7
CAAF 710	185	131	219	167	255	201	-	1-112	6	10	200	1.8
CAAF 800	206	147	241	182	276	217	1-112	1-112	8	12	200	2
CAAF 900	229	164	265	200	299	234	1-112	1-112	8	12	200	2.2

Shock absorbers

TYPE 1

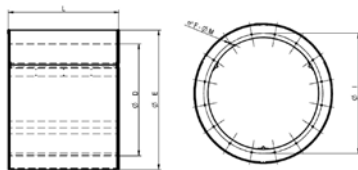


TYPE 2



MOD.	SHOCK-ABSORBERS MODEL	TYPE	øA	B	D	CF	CF1	CF2	F	øF1	L	M	S
CAAF 475	CF 623110	1	67	33...34	10	76.5	-	-	9	-	90.5	16	2
CAAF 560	CF 623110	1	67	33...34	10	76.5	-	-	9	-	90.5	16	2
CAAF 630	CF 623110	1	67	33...34	10	76.5	-	-	9	-	90.5	16	2
CAAF 710	CF 623110	1	67	33...34	10	76.5	-	-	9	-	90.5	16	2
CAAF 800	CF 924512	2	92	44...45	12	120	98	50	10.5	8.5	130	15.5	2.5
CAAF 900	CF 924512	2	92	44...45	12	120	98	50	10.5	8.5	130	15.5	2.5

Circular silencers



Silencers are used to lower the noise level at air conditioning or ventilation installation manufactured using galvanised steel.

- Upon request: other constructions using different materials.

øD	øE	L	øI	F	øM	øD	øE	L	øI	F	øM
315	515	ØD,1,5ØD, 2ØD	355	8	M8	900	1100	ØD,1,5ØD, 2ØD	970	16	M10
355	555	ØD,1,5ØD, 2ØD	395	8	M8	1000	1200	ØD,1,5ØD, 2ØD	1070	16	M10
400	600	ØD,1,5ØD, 2ØD	450	8	M8	1120	1320	ØD,1,5ØD, 2ØD	1190	20	M10
450	650	ØD,1,5ØD, 2ØD	500	8	M8	1250	1450	ØD,1,5ØD, 2ØD	1320	20	M10
500	700	ØD,1,5ØD, 2ØD	560	12	M8	1400	1600	ØD,1,5ØD, 2ØD	1470	20	M10
560	760	ØD,1,5ØD, 2ØD	620	12	M8	1500	1700	ØD,1,5ØD, 2ØD	1570	20	M10
630	830	ØD,1,5ØD, 2ØD	690	12	M8	1600	1800	ØD,1,5ØD, 2ØD	1680	24	M14
710	910	ØD,1,5ØD, 2ØD	770	16	M8	1700	1900	ØD,1,5ØD, 2ØD	1780	24	M14
800	1000	ØD,1,5ØD, 2ØD	860	16	M8	1800	2000	ØD,1,5ØD, 2ØD	1880	24	M14

DIRECT DRIVE MOTOR

CAST

Extremely robust open blade and single inlet centrifugal fans with sheet steel casing and impeller

Designed for air that is very dusty and with materials suspended in the air



SYSTEM

4



Motor:

- Motors with IE3 efficiency for powers equal to or greater than 0.75kW, except single-phase, 2-speed and 8-pole.
- Class F motors with ball bearings, IP55 protection.
- Three-phase 230/400 V 50 Hz (up to 4 kW) and 400/690 V 50 Hz (powers greater than 4 kW).
- Maximum temperature of air to be carried: -25 °C +90 °C.

Finishing:

- Anti-corrosive finish in polyester resin, polymerised at 190 °C, after degreasing with phosphate-free nanotechnology treatment.

On request:

- Special windings for different voltages.
- Fan prepared to transport air up to +150 °C.
- Special executions for temperatures + 300 °C.
- Stainless steel fan.
- ATEX certified Category 2.
- System 8 elastic coupling.

Fan:

- Sheet steel casing.
- Backward curved impeller, made of very robust sheet steel, specially designed for air with a lot of dust and suspended materials.
- Directly coupled motor.
- With inspection and cleaning hatch from size 560 and up.
- All casings continuously welded.

*The images are provided only for illustrative purposes, the product may vary depending on its size, specifications and position.

Order code

CAST — 500 — 2T — 15

CAST: Extremely robust open blade and single inlet centrifugal fans with sheet steel casing and impeller.

Impeller size

Number of motor poles
2=2900 r/min 50 Hz

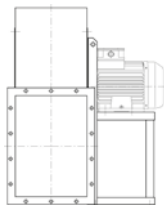
T=Three-phase

Motor power (HP)

Direct drive motor construction method

SYSTEM

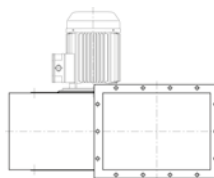
4



Direct drive, impeller mounted on the motor shaft, mounted on the pedestal.

SYSTEM

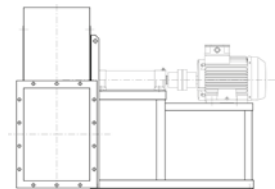
5



Direct drive, impeller mounted on the motor shaft, flange motor mounted on the fan casing.

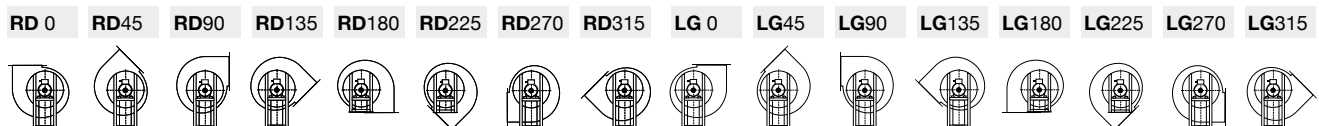
SYSTEM

8



Elastic coupling drive, impeller mounted on the support shaft, mounted on the motor via an elastic coupling. Everything mounted together on a fan pedestal.

Orientations



LG270 standard supply, other positions on request. All models are adjustable. Special sizes in positions 180 and 225.

LARGE SERIES

Technical characteristics

Model	Frame	Speed (r/min)	Maximum admissible current (A)			Installed power (kW)	Maximum flow rate (m³/h)	Sound pressure level dB(A)	Approx. weight (Kg)	According ErP
			230 V	400 V	690 V					
CAST-400-2T-3 IE3	90L	2910	7.32	4.21		2.2	1260	80	45	2015
CAST-450-2T-4 IE3	100L	2910	10	5.77		3	1620	82	60	2015
CAST-450-2T-5.5 IE3	112M	2900	13	7.5		4	1800	83	65	2015
CAST-500-2T-7.5 IE3	132S	2930		10.1	5.86	5.5	2520	85	97	2015
CAST-500-2T-10 IE3	132S	2930		14.1	8.17	7.5	3470	85	103	2015
CAST-560-2T-15 IE3	160M	2945		20	11.6	11	3600	90	158	2015
CAST-630-2T-20 IE3	160M	2945		27.7	16.1	15	4320	93	193	2015
CAST-630-2T-25 IE3	160L	2945		33.9	19.7	18.5	5040	93	203	2015
CAST-710-2T-30 IE3	180M	2950		39.7	23	22	4320	96	253	2015
CAST-710-2T-40 IE3	200L	2960		54.5	31.6	30	6480	96	365	2015
CAST-710-2T-50 IE3	200L	2960		67.8	39.3	37	7740	96	373	2015
CAST-800-4T-10 IE3	132M	1465		13.9	8.06	7.5	5040	81	250	2015
CAST-900-4T-15 IE3	160M	1470		20.9	12.1	11	7790	85	440	2015
CAST-900-4T-20 IE3	160L	1465		27.9	16.2	15	7740	86	478	2015
CAST-1000-4T-25 IE3	180M	1470		35.1	20.3	18.5	10080	86	586	2015



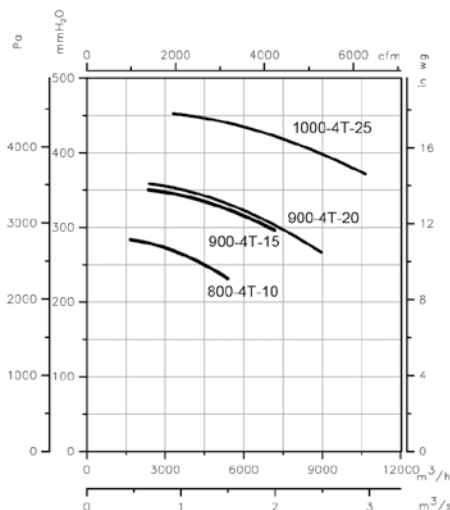
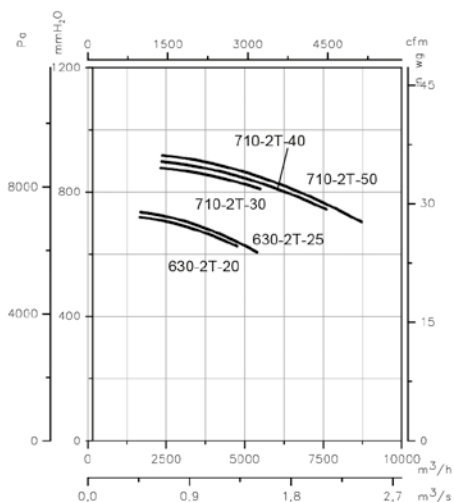
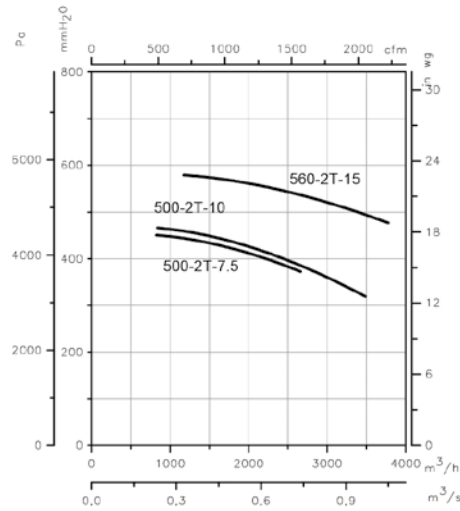
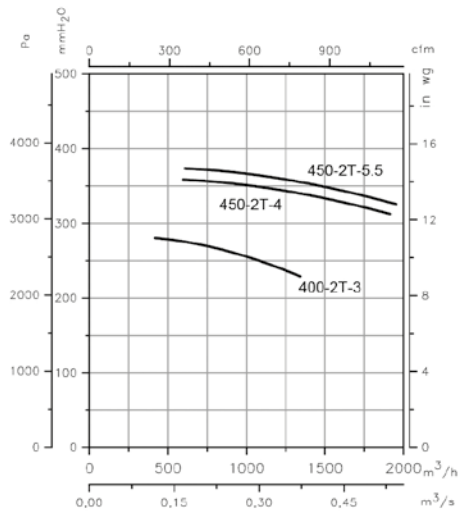
Erp. (Energy Related Products)

Information on Directive 2009/125/EC can be downloaded from the SODECA website or the QuickFan selector programme.

Characteristic curves

Q= Flow rate in m³/h, m³/s and cfm

Pe= Static pressure in mm H₂O, Pa and inwg



Accessories



LARGE SERIES

BELT-DRIVEN MOTOR

CAST-X

Centrifugal, open blade, belt driven fans fitted with electric motors and a standardised set of pulleys, belts and protectors in accordance with standard ISO 13857

Designed for air that is very dusty and with materials suspended in the air



Motor:

- IE3 efficiency motors.
- Class F motors with ball bearings, IP55 protection.
- Three-phase 230/400 V-50 Hz (up to 4 kW) and 400/690 V-50 Hz (powers higher than 4 kW).
- Maximum temperature of air to be carried: -25°C +90°C.

Finish:

- Anti-corrosive finish in polyester resin, polymerised at 190 °C, after degreasing with phosphate-free nanotechnology treatment.

On request:

- Special windings for different voltages.
- Fan prepared to transport air up to +300 °C.
- Stainless steel fan.
- ATEX certified Category 2.
- System 8 elastic coupling.

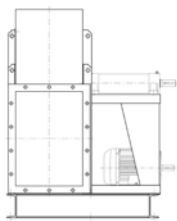
Fan:

- Sheet steel casing.
- Backward curved impeller, made of very robust sheet steel, specially designed for air with a lot of dust and suspended materials.
- Motor assembled on the general bench.
- With inspection and cleaning hatch from size 560 and up.
- All casings continuously welded.

*The images are provided only for illustrative purposes, the product may vary depending on its size, specifications and position.

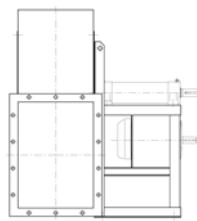
Belt-driven motor construction method

SYSTEM 12



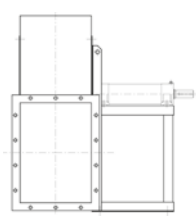
Transmission drive, identical to SYSTEM 1, with the motor and fan mounted on the common bench. Motor positions "W" or "Z" and exceptionally "X" or "Y".

SYSTEM 9



Transmission drive, identical to SYSTEM 1, with the motor mounted on the side of the pedestal, in position "W" or "Z".

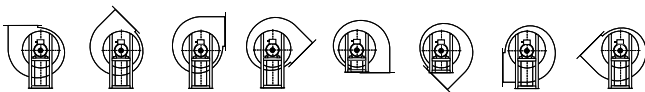
SYSTEM 1



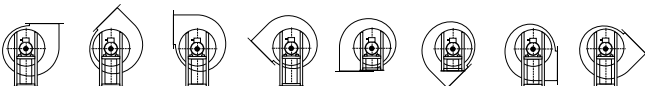
Transmission drive, impeller mounted on the support shaft. Support mounted on the pedestal.

Orientations

RD 0 RD45 RD90 RD135 RD180 RD225 RD270 RD315



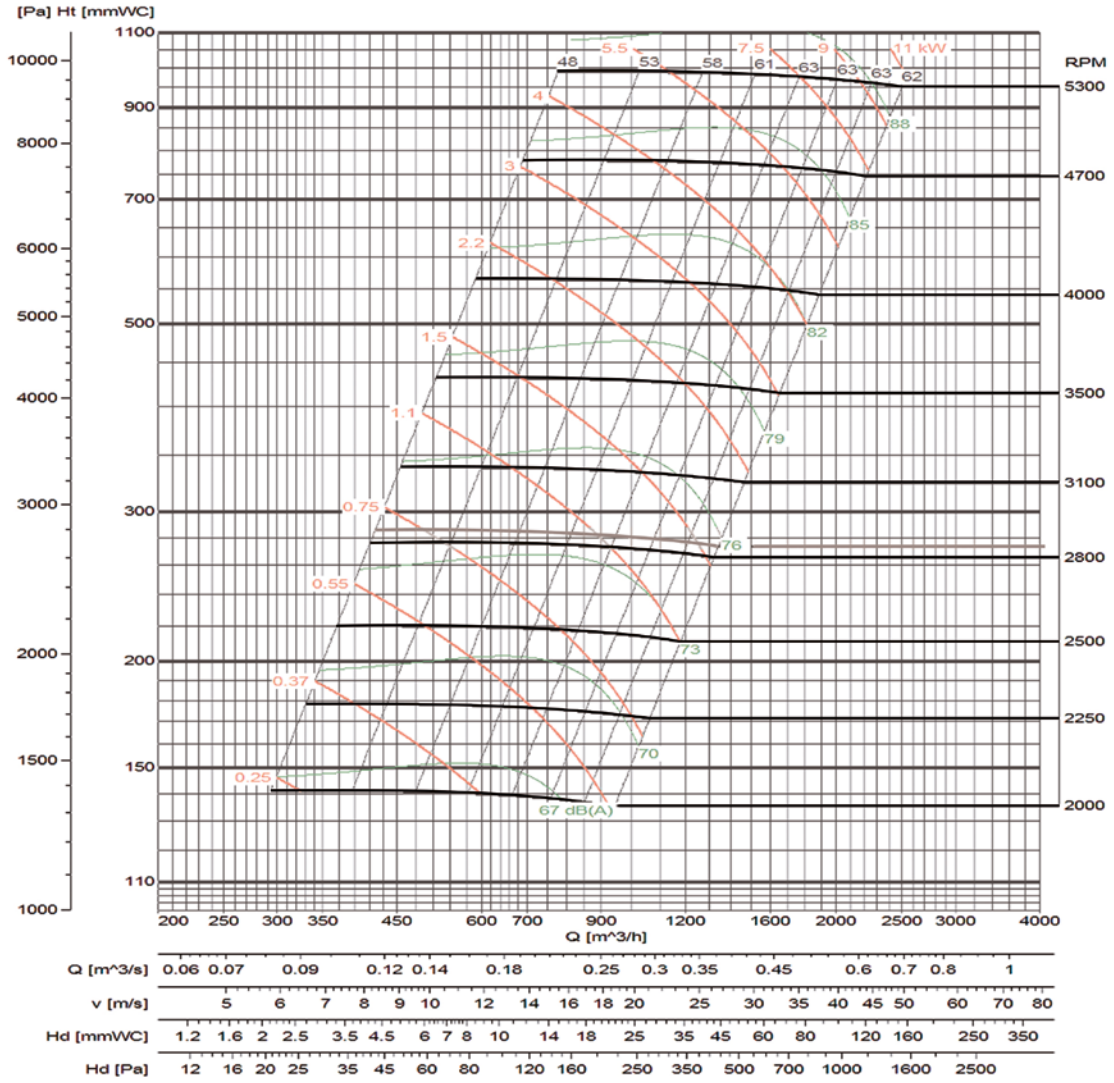
LG 0 LG45 LG90 LG135 LG180 LG225 LG270 LG315



LARGE SERIES

Characteristic curves

CAST-X 400

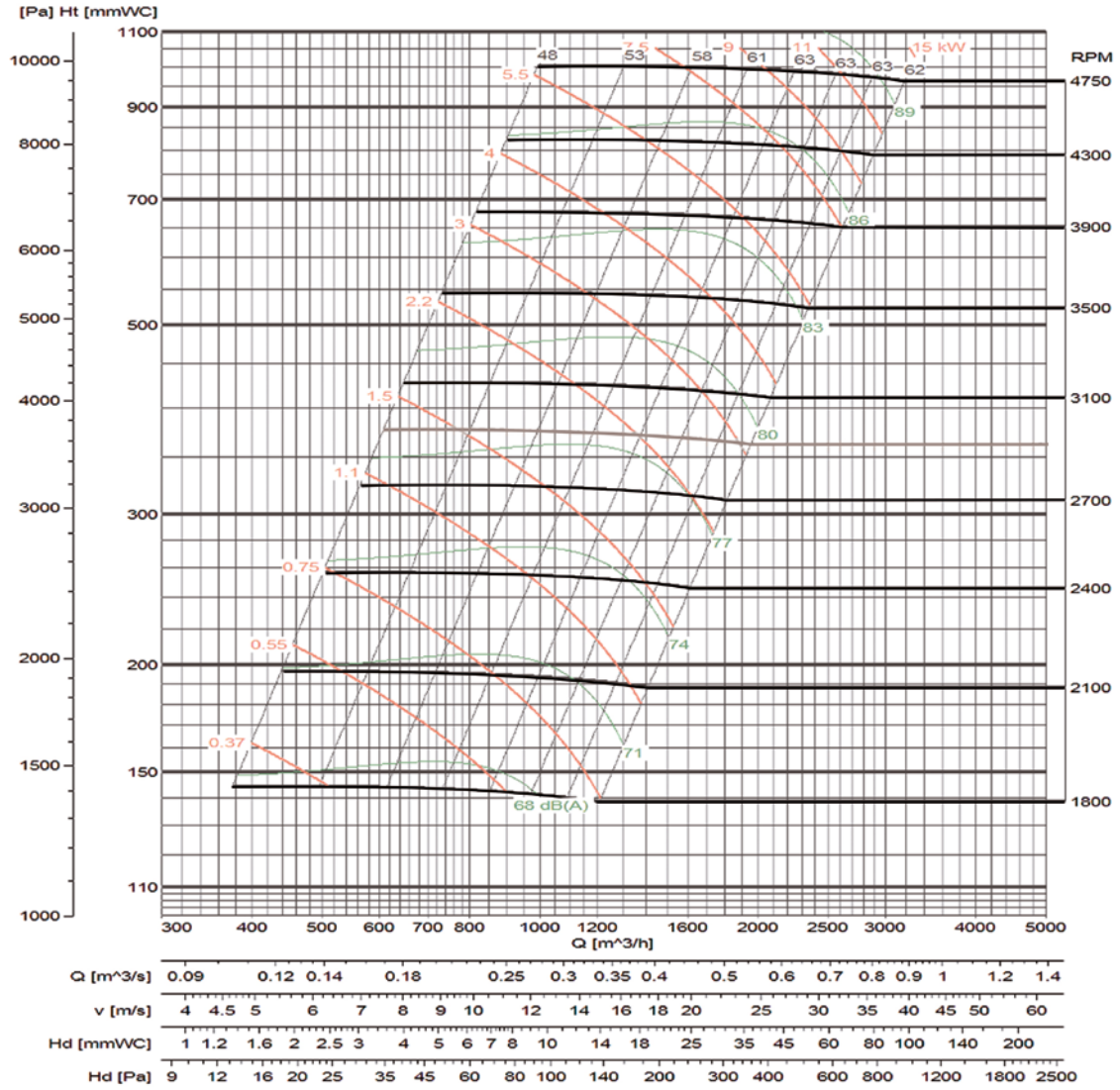


Flow margin ±5%
 Noise level margin + 3... 5 dB
 Margin of kW absorbed ±3%

Outlet characteristics.

Characteristic curves

CAST-X 450



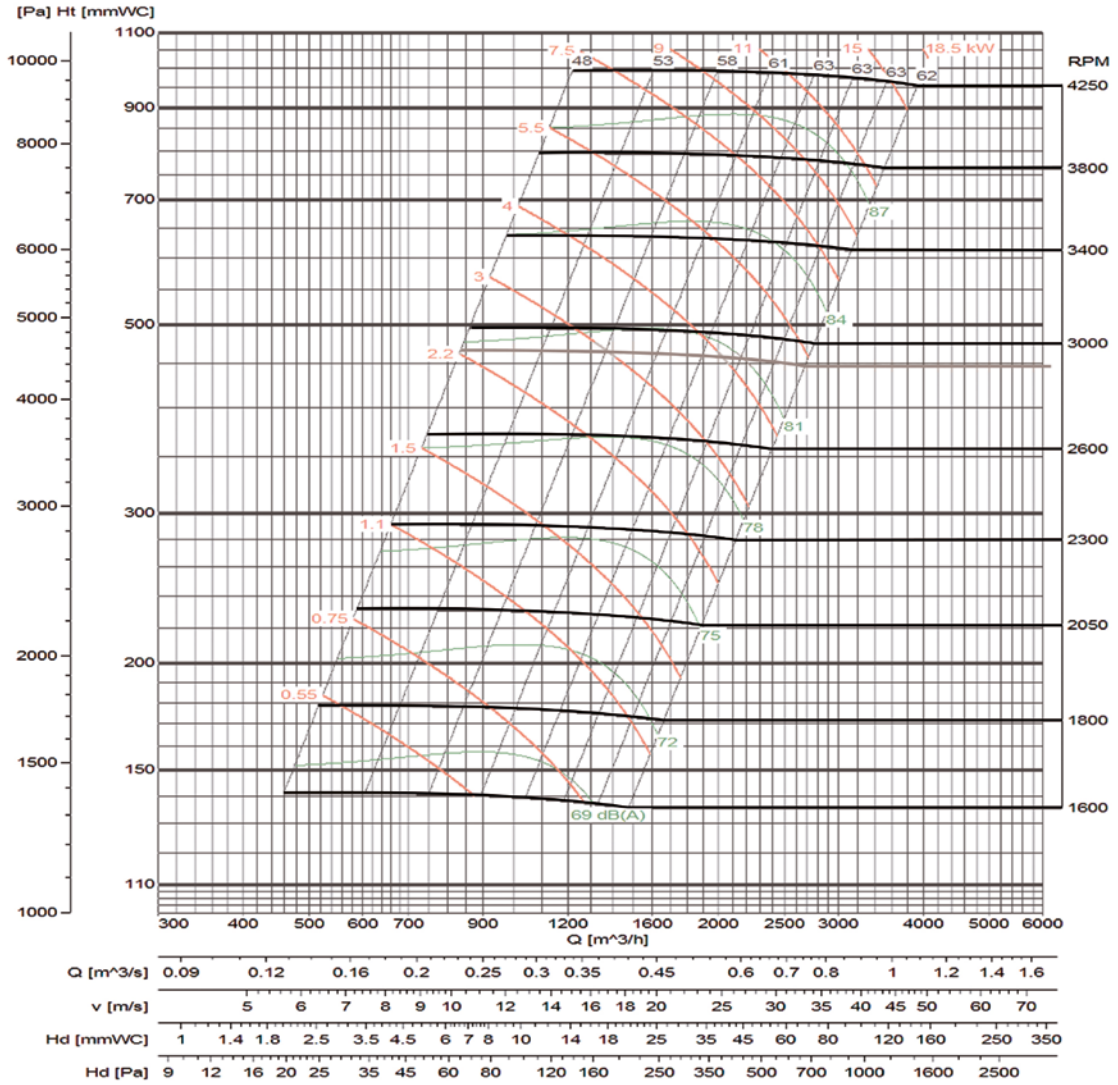
LARGE SERIES

Flow margin ±5%
 Noise level margin + 3... 5 dB
 Margin of kW absorbed ±3%

Outlet characteristics.

Characteristic curves

CAST-X 500

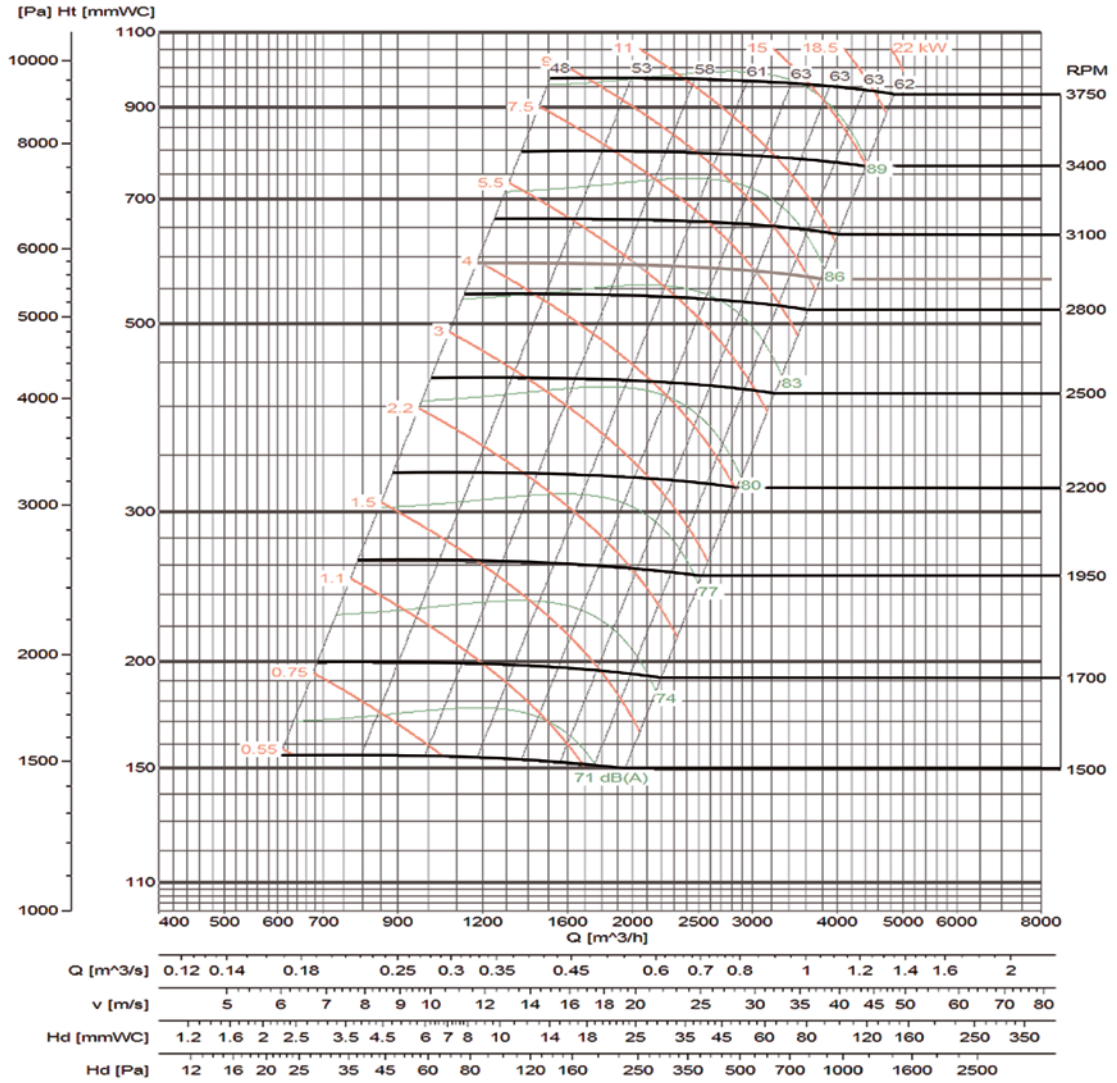


Flow margin $\pm 5\%$
 Noise level margin + 3... 5 dB
 Margin of kW absorbed $\pm 3\%$

Outlet characteristics.

Characteristic curves

CAST-X 560



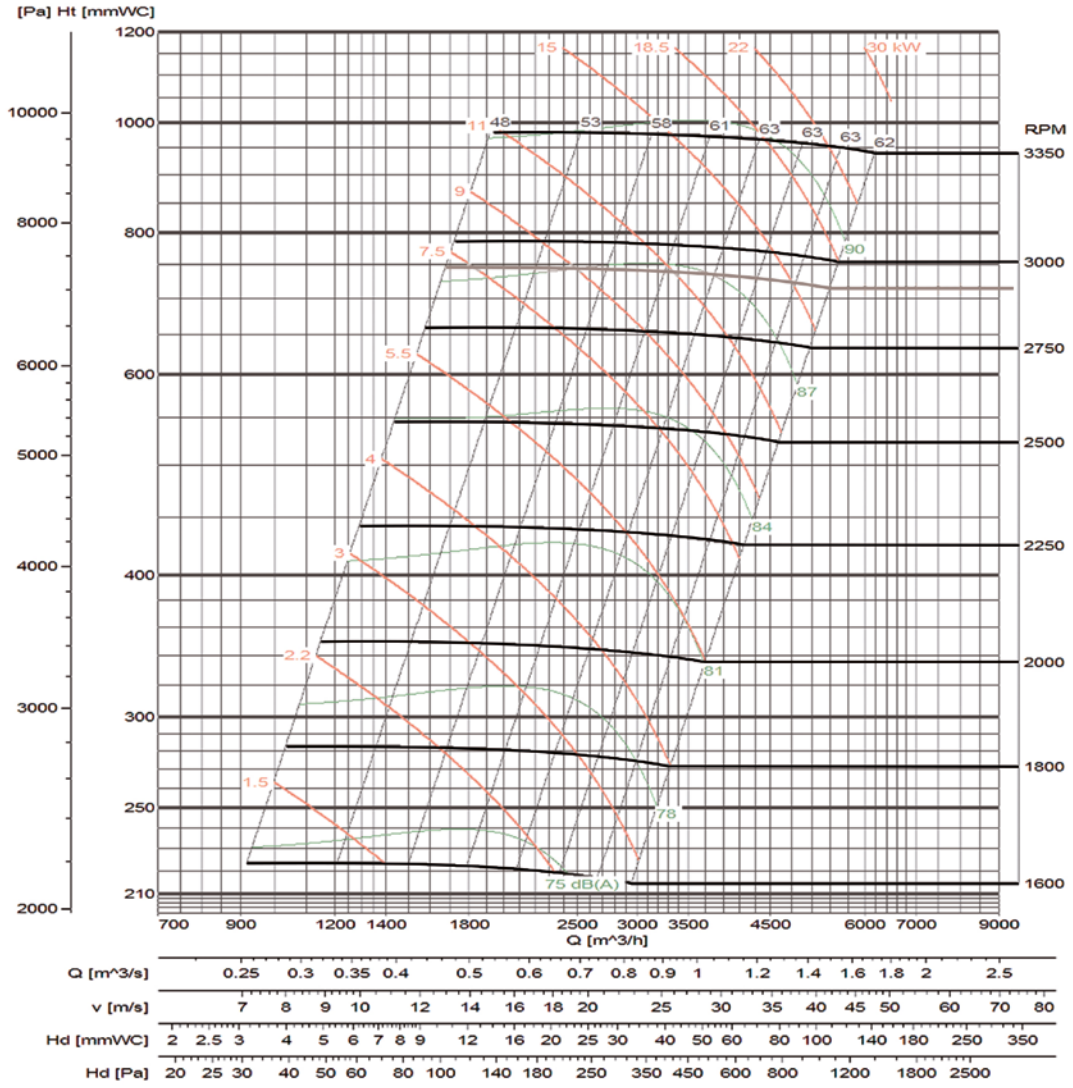
LARGE SERIES

Flow margin ±5%
 Noise level margin + 3... 5 dB
 Margin of kW absorbed ±3%

Outlet characteristics.

Characteristic curves

CAST-X 630

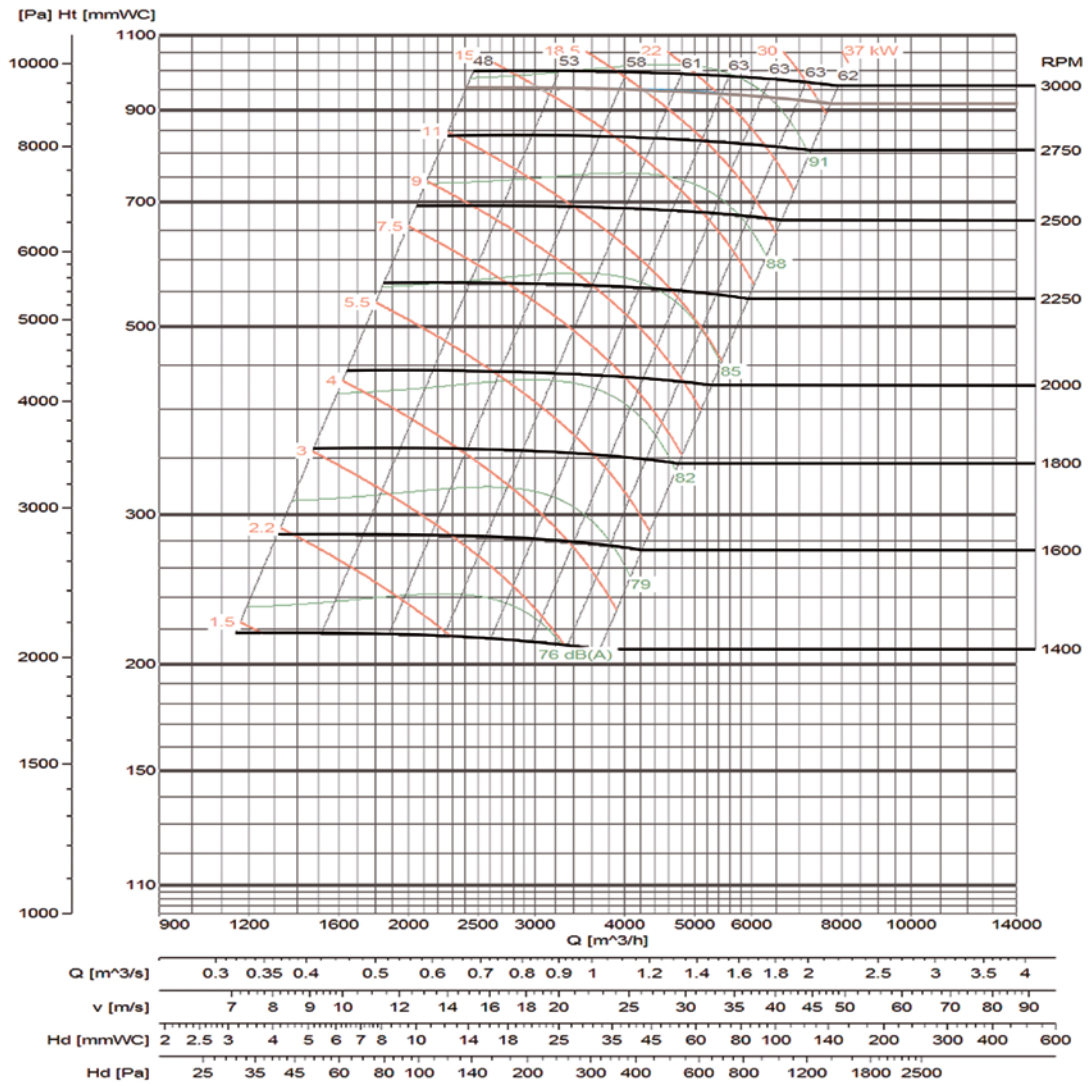


Flow margin ±5%
 Noise level margin + 3... 5 dB
 Margin of kW absorbed ±3%

Outlet characteristics.

Characteristic curves

CAST-X 710



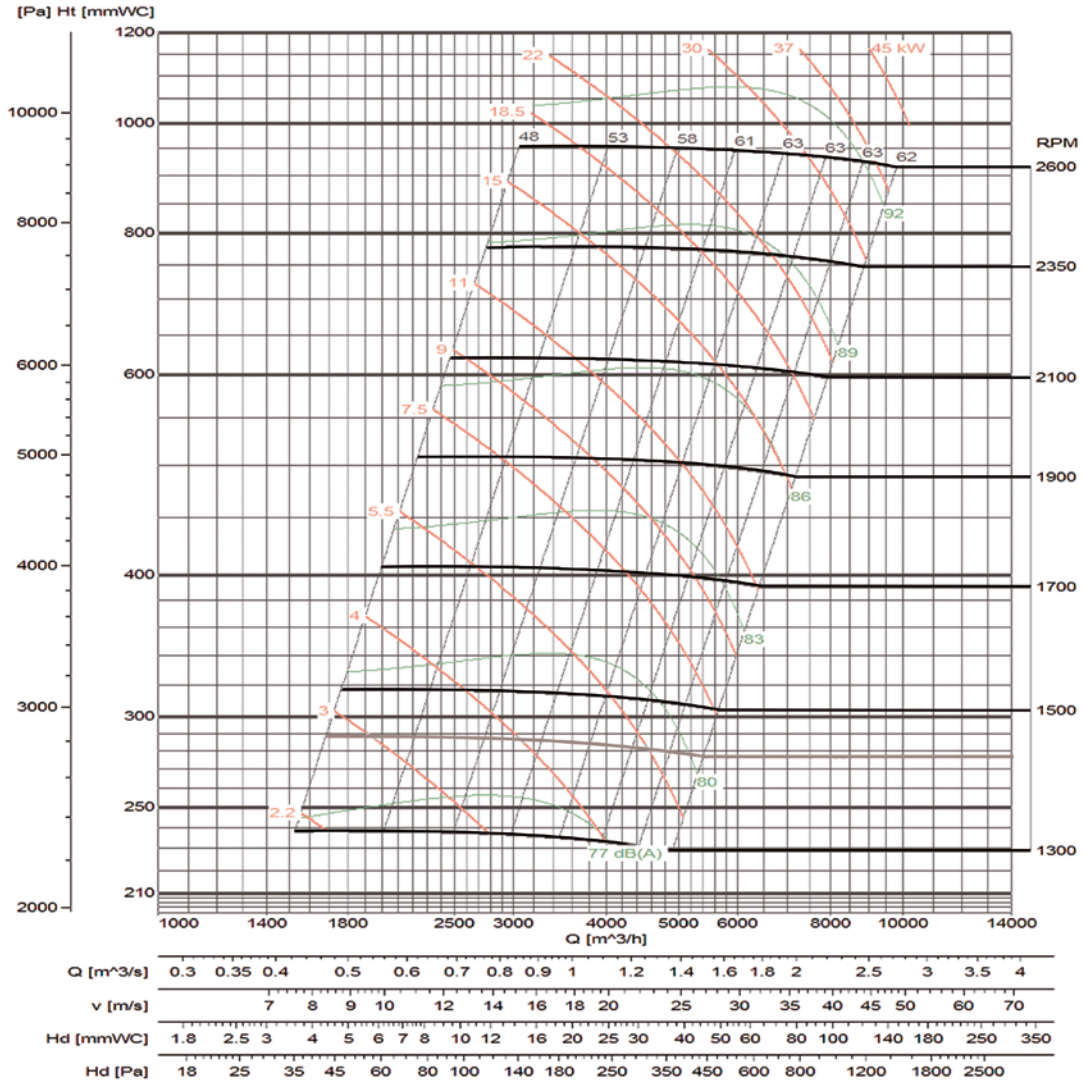
LARGE SERIES

Flow margin ±5%
 Noise level margin + 3... 5 dB
 Margin of kW absorbed ±3%

Outlet characteristics.

Characteristic curves

CAST-X 800

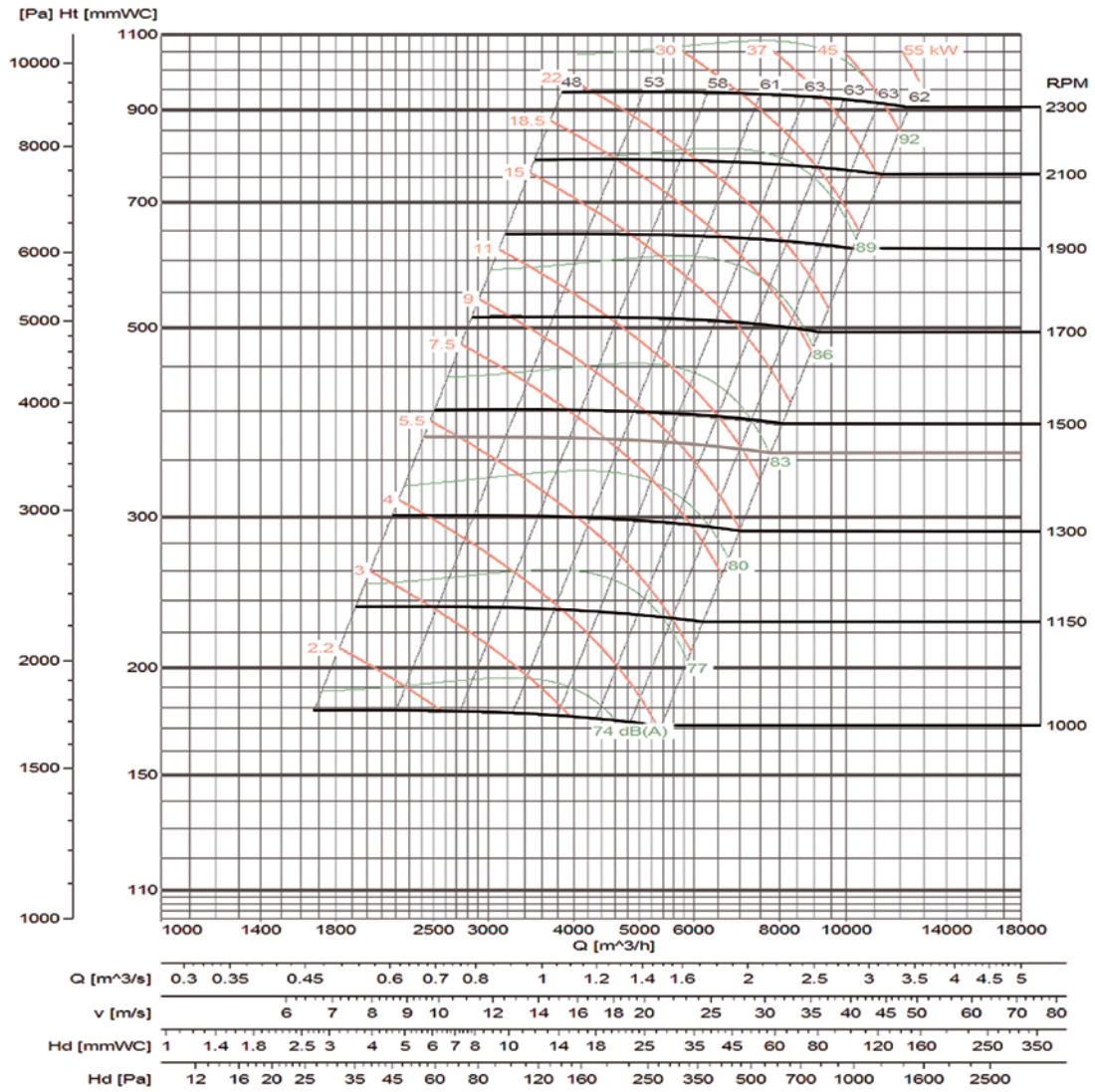


Flow margin ±5%
 Noise level margin + 3... 5 dB
 Margin of kW absorbed ±3%

Outlet characteristics.

Characteristic curves

CAST-X 900



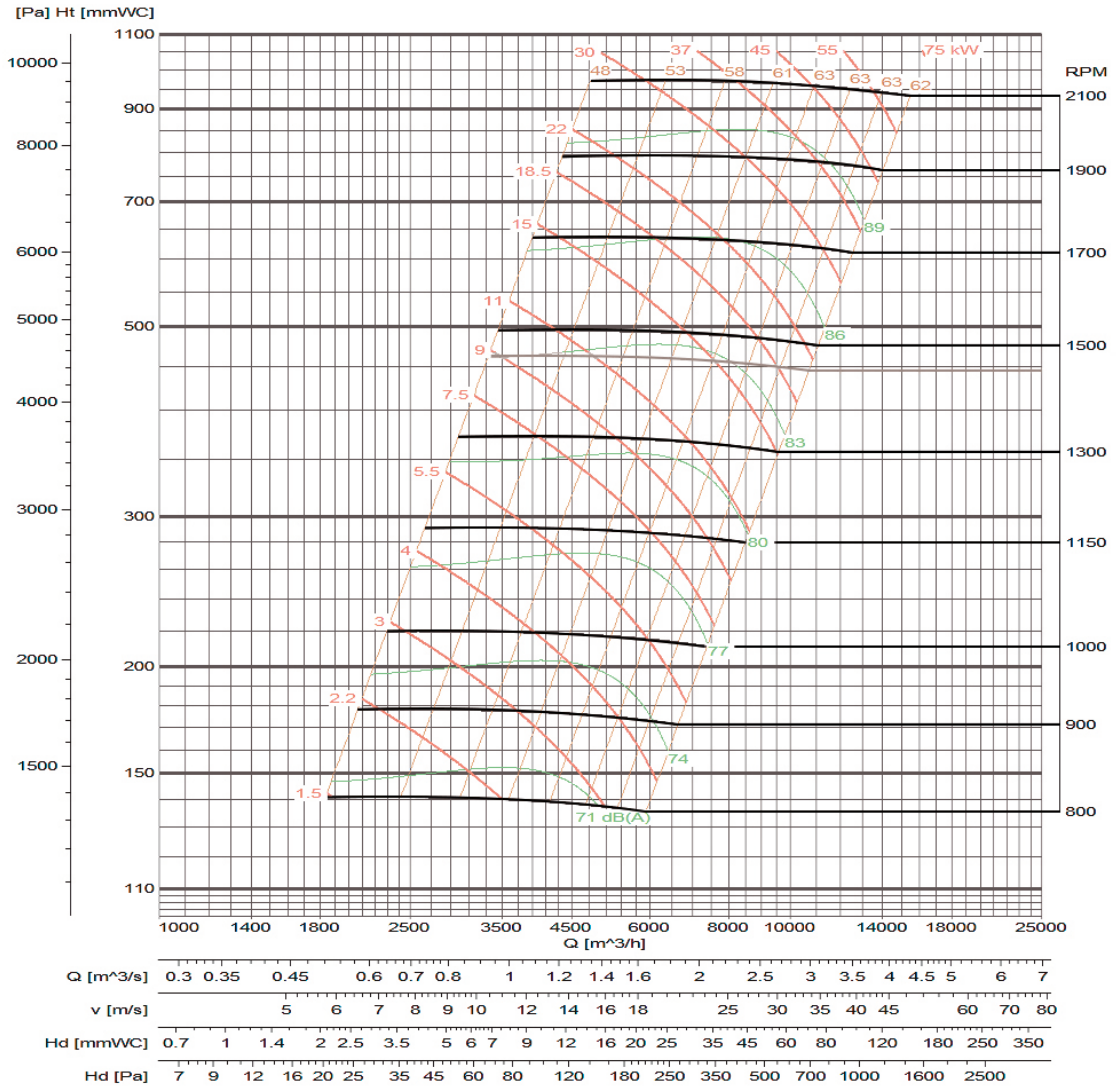
LARGE SERIES

Flow margin ±5%
 Noise level margin + 3... 5 dB
 Margin of kW absorbed ±3%

Outlet characteristics.

Characteristic curves

CAST-X 1000



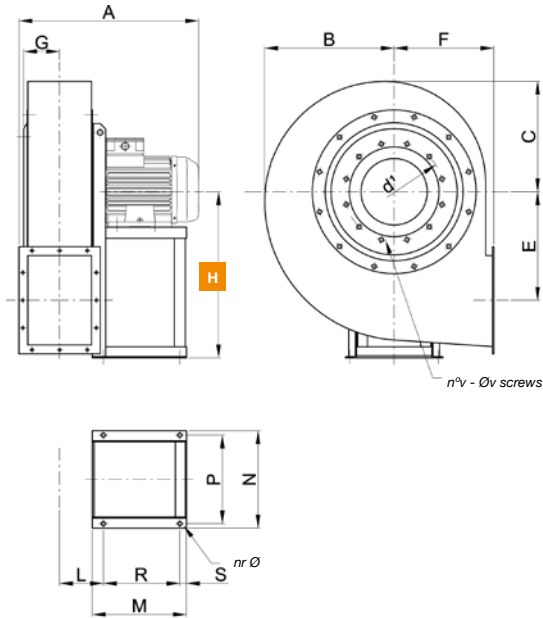
Flow margin $\pm 5\%$
 Noise level margin + 3... 5 dB
 Margin of kW absorbed $\pm 3\%$

Outlet characteristics.

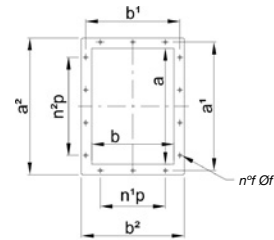
Dimensions mm

SYSTEM
4

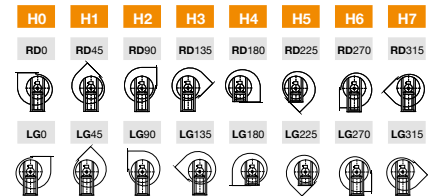
CAST 400...900



OUTLET NOZZLE



ORIENTATIONS



H *The measurement of height H (distance between the ground and the axis) varies depending on the orientations

Model	Frame	A	B	C	E	F	G	H	L	M	N	P	R	S	nr	Ø
CAST-400-2T-3 IE3	90L	410	300	274	240	270	71	375	113	215	269	245	140	25	4	10
CAST-450-2T-4 IE3	100L	490	332	302	265	300	77	400	120	260	312	280	185	25	4	12
CAST-450-2T-5.5 IE3	112M	500	332	302	265	300	77	400	120	260	312	280	185	25	4	12
CAST-500-2T-7.5 IE3	132S	590	374	342	300	335	88	450	127	320	342	310	245	25	4	12
CAST-500-2T-10 IE3	132S	590	374	342	300	335	88	450	127	320	342	310	245	25	4	12
CAST-560-2T-15 IE3	160M	732	425	390	340	375	97	500	136	425	440	400	345	30	4	14
CAST-630-2T-20 IE3	160M	800	478	440	381	425	106	560	146	425	440	400	345	30	4	14
CAST-630-2T-25 IE3	160L	835	478	440	381	425	106	560	146	425	440	400	345	30	4	14
CAST-710-2T-30 IE3	180M	860	531	485	425	475	117	630	177	470	550	510	370	30	4	17
CAST-710-2T-40 IE3	200L	890	531	485	425	475	117	630	187	540	608	565	420	40	4	19
CAST-710-2T-50 IE3	200L	890	531	485	425	475	117	630	187	540	608	565	420	40	4	19
CAST-800-4T-10 IE3	132M	650	595	545	481	530	129	710	170	320	342	310	245	25	4	12
CAST-900-4T-15 IE3	160M	850	674	616	542	600	143	800	183	425	440	400	345	30	4	14
CAST-900-4T-20 IE3	160L	870	674	616	542	600	143	800	183	425	440	400	345	30	4	14

OUTLET NOZZLE

MOD.	a	b	a'	b'	a ²	b ²	n'p	n ² p	n'f	Øf	d1	n'v	Øv
CAST-400-2T-3 IE3	165	117	200	153	235	187	-	1-112	6	10	219	8	M8
CAST-450-2T-4 IE3	185	131	219	167	255	201	-	1-112	6	10	241	8	M8
CAST-450-2T-5.5 IE3	185	131	219	167	255	201	-	1-112	6	10	241	8	M8
CAST-500-2T-7.5 IE3	205	146	241	182	275	216	1-112	1-112	8	12	265	8	M8
CAST-500-2T-10 IE3	205	146	241	182	275	216	1-112	1-112	8	12	265	8	M8
CAST-560-2T-15 IE3	229	164	265	200	299	234	1-112	1-112	8	12	292	8	M8
CAST-630-2T-20 IE3	256	183	292	219	326	253	1-112	2-112	10	12	332	8	M8
CAST-630-2T-25 IE3	256	183	292	219	326	253	1-112	2-112	10	12	332	8	M8
CAST-710-2T-30 IE3	288	205	332	249	368	285	1-125	2-125	10	12	366	8	M8
CAST-710-2T-40 IE3	288	205	332	249	368	285	1-125	2-125	10	12	366	8	M8
CAST-710-2T-50 IE3	288	205	332	249	368	285	1-125	2-125	10	12	366	8	M8
CAST-800-4T-10 IE3	322	229	366	273	402	309	1-125	2-125	10	12	405	8	M8
CAST-900-4T-15 IE3	361	256	405	300	441	336	1-125	2-125	10	12	448	12	M10
CAST-900-4T-20 IE3	361	256	405	300	441	336	1-125	2-125	10	12	448	12	M10

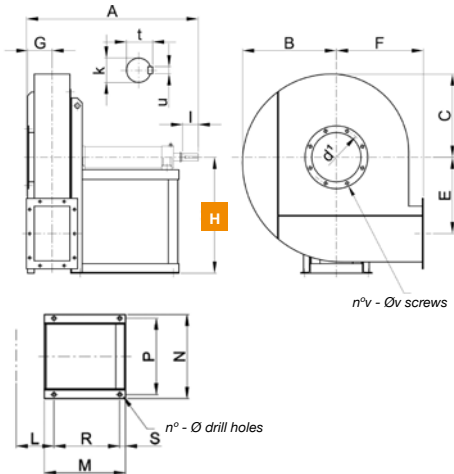
To obtain the dimensions of the 1000 model, consult our technical team.

LARGE SERIES

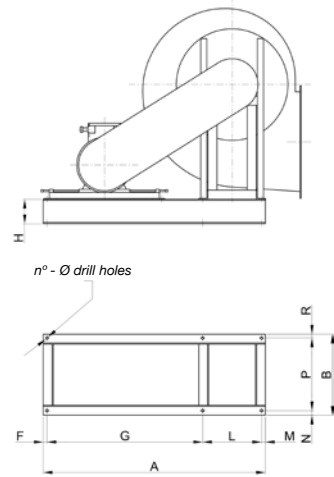
Dimensions mm

CAST-X 400...900

SYSTEM
1



SYSTEM
12



MOD.	A*	B	C	E	F	G	H	L	M*	N
CAST 400	694	300	274	240	270	71	375	113	480	350
CAST 450	807	332	302	265	300	77	400	120	560	370
CAST 500	825	374	342	300	335	88	450	127	560	370
CAST 560	823	425	390	340	375	97	500	136	520	438
CAST 630	842	478	440	381	425	106	560	146	520	438
CAST 710	979	531	485	425	475	117	630	187	605	456
CAST 800	1053	595	545	481	530	129	710	199	655	496
CAST 900	1121	674	616	542	600	143	800	183	705	564

MOD.	A	B*	H	F	G	L	M	N	P
CAST 400	900	450	120	20	550	310	20	25	400
CAST 450	1055	530	120	25	680	330	20	25	480
CAST 500	1055	530	120	25	680	330	20	25	480
CAST 560	1265	485	160	25	830	385	25	30	430
CAST 630	1445	550	160	25	1010	385	25	30	495
CAST 710	1505	575	180	30	1050	395	30	30	515
CAST 800	1775	700	180	30	1280	435	30	30	640
CAST 900	1880	750	180	30	1320	500	30	35	680

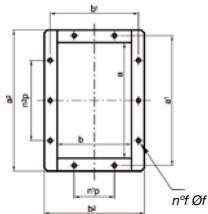
MOD.	P	R*	S	n°	Φ	k	l	t	u	d1	n° v	Ø v
CAST 400	310	400	30	4	14	28 k6	60	31	8	219	8	M8
CAST 450	330	480	30	4	14	38 k6	80	41	10	241	8	M8
CAST 500	330	480	30	4	14	38 k6	80	41	10	265	8	M8
CAST 560	385	430	40	4	17	42 k6	110	45	12	292	8	M8
CAST 630	385	430	40	4	17	48 k6	110	51.5	14	332	8	M8
CAST 710	395	515	40	4	19	48 k6	110	51.5	14	366	8	M8
CAST 800	435	565	40	4	19	55 m6	110	59	16	405	12	M10
CAST 900	500	605	50	4	19	65 m6	140	69	18	448	12	M10

MOD.	R	n°	Φ	Kg
CAST 400	25	6	14	40
CAST 450	25	6	14	45
CAST 500	25	6	14	45
CAST 560	25	6	17	70
CAST 630	25	6	17	90
CAST 710	30	6	19	100
CAST 800	30	6	19	130
CAST 900	35	6	19	185

*For "HIGH TEMP." constructions, elevations "A-M-R" + 50 mm.

(*) For "HIGH TEMP." constructions, elevations "B-P" + 50 mm.
Kg = Weight of the support base

OUTLET NOZZLE



OUTLET NOZZLE

MOD.	a	b	a'	b'	a''	b''	n°p	n°p'	n°f	Φf
CAST 400	165	117	200	153	235	187	-	1-112	6	10
CAST 450	185	131	219	167	255	201	-	1-112	6	10
CAST 500	205	146	241	182	275	216	1-112	1-112	8	12
CAST 560	229	164	265	200	299	234	1-112	1-112	8	12
CAST 630	256	183	292	219	326	253	1-112	2-112	10	12
CAST 710	288	205	332	249	368	285	1-125	2-125	10	12
CAST 800	322	229	366	273	402	309	1-125	2-125	10	12
CAST 900	361	256	405	300	441	336	1-125	2-125	10	12

ORIENTATIONS

H0	H1	H2	H3	H4	H5	H6	H7
RD0	RD45	RD90	RD135	RD180	RD225	RD270	RD315
LG0	LG45	LG90	LG135	LG180	LG225	LG270	LG315

H *The measurement of height H (distance between the ground and the axis) varies depending on the orientations

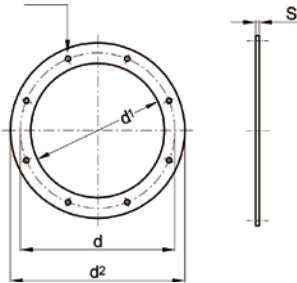
To obtain the dimensions of the 1000 model, consult our technical team.

LARGE SERIES

Accessories

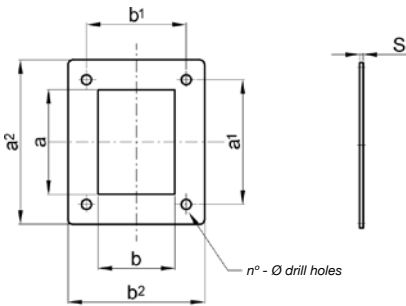
Inlet counter flange

n° - Ø drill holes



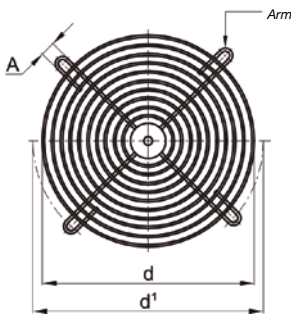
MOD.	d	d ¹	d ²	n°	Φ
CAST 400	219	185	255	8	M8
CAST 450	241	205	275	8	M8
CAST 500	265	229	299	8	M8
CAST 560	292	255	325	8	M8
CAST 630	332	286	366	8	M8
CAST 710	366	321	401	8	M8
CAST 800	405	361	441	8	M8
CAST 900	448	406	486	12	M10
CAST 1000	497	456	536	12	M10

Impulsion counter-flange



MOD.	a	b	a ¹	b ¹	a ²	b ²	n ¹ p	n ² p	n°	Φ	s
CAST 400	165	117	200	153	235	187	-	1-112	6	10	4
CAST 450	185	131	219	167	255	201	-	1-112	6	10	4
CAST 500	205	146	241	182	275	216	1-112	1-112	8	12	4
CAST 560	229	164	265	200	299	234	1-112	1-112	8	12	5
CAST 630	256	183	292	219	326	253	1-112	2-112	10	12	5
CAST 710	288	205	332	249	368	285	1-125	2-125	10	12	5
CAST 800	322	229	366	273	402	309	1-125	2-125	10	12	5
CAST 900	361	256	405	300	441	336	1-125	2-125	10	12	5
CAST 1000	404	288	448	332	484	362	2-126	3-127	14	12	5

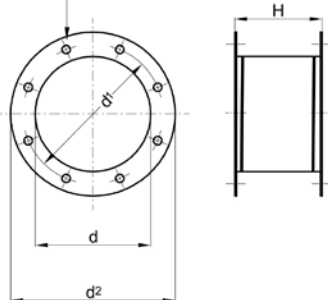
Inlet protection mesh



MOD.	d	d ¹	d ²	A	n°
CAST 400	185	219	255	9	4
CAST 450	205	241	275	11	4
CAST 500	229	265	299	11	4
CAST 560	255	292	325	11	4
CAST 630	286	332	366	11	8
CAST 710	321	366	401	11	8
CAST 800	361	405	441	11	8
CAST 900	406	448	486	11	8
CAST 1000	456	497	536	11	8

Inlet anti-vibration seal

n° - Ø drill holes

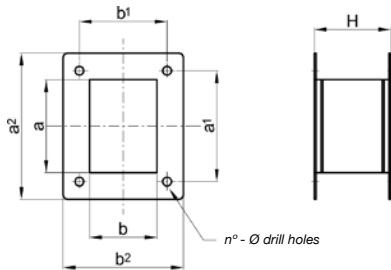


MOD.	d	d ¹	d ²	n°	Φ	H
CAST 400	119	185	255	8	M8	200
CAST 450	241	205	275	8	M8	200
CAST 500	265	229	299	8	M8	200
CAST 560	292	255	325	8	M8	200
CAST 630	332	286	366	8	M8	200
CAST 710	366	321	401	8	M8	200
CAST 800	405	361	441	8	M8	200
CAST 900	448	406	486	12	M10	200
CAST 1000	497	456	536	12	M10	200

LARGE SERIES

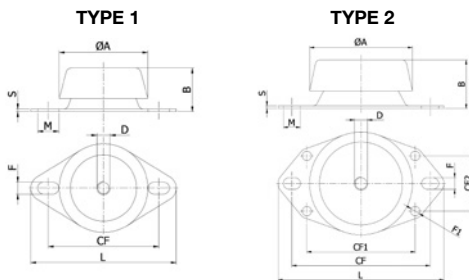
Accessories

Impulsion anti-vibration seal



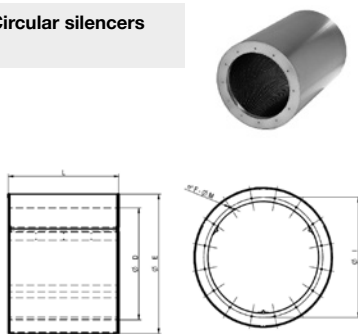
MOD.	a	b	a ¹	b ¹	a ²	b ²	n ¹ p	n ² p	n ⁰	Φ	H
CAST 400	165	117	200	153	235	187	-	1-112	6	10	200
CAST 450	185	131	219	167	255	201	-	1-112	6	10	200
CAST 500	205	146	241	182	275	216	1-112	1-112	8	12	200
CAST 560	229	164	265	200	299	234	1-112	1-112	8	12	200
CAST 630	256	183	292	219	326	253	1-112	2-112	10	12	200
CAST 710	288	205	332	249	368	285	1-125	2-125	10	12	200
CAST 800	322	229	366	273	402	309	1-125	2-125	10	12	200
CAST 900	361	256	405	300	441	336	1-125	2-125	10	12	200
CAST 1000	404	288	448	332	484	362	2-126	3-127	14	12	200

Shock absorbers



MOD.	SHOCK-ABSORBERS MODEL	TYPE	øA	B	D	CF	CF1	CF2	F	øF1	L	M	S
CAST 400	CF 623110	1	67	33...34	10	76.5	-	-	9	-	90.5	16	2
CAST 450	CF 623110	1	67	33...34	10	76.5	-	-	9	-	90.5	16	2
CAST 500	CF 623110	1	67	33...34	10	76.5	-	-	9	-	90.5	16	2
CAST 560	CF 623110	1	67	33...34	10	76.5	-	-	9	-	90.5	16	2
CAST 630	CF 623110	1	67	33...34	10	76.5	-	-	9	-	90.5	16	2
CAST 710	CF 623110	1	67	33...34	10	76.5	-	-	9	-	90.5	16	2
CAST 800	CF 924512	2	92	44...45	12	120	98	50	10.5	8.5	130	15.5	2.5
CAST 900	CF 924512	2	92	44...45	12	120	98	50	10.5	8.5	130	15.5	2.5
CAST 1000	CF 924512	2	92	44...45	12	120	98	50	10.5	8.5	130	15.5	2.5

Circular silencers



Silencers are used to lower the noise level at air conditioning or ventilation installation manufactured using galvanised steel.

- Upon request: other constructions using different materials.

øD	øE	L	øI	F	øM	øD	øE	L	øI	F	øM
315	515	ØD,1,5ØD, 2ØD	355	8	M8	900	1100	ØD,1,5ØD, 2ØD	970	16	M10
355	555	ØD,1,5ØD, 2ØD	395	8	M8	1000	1200	ØD,1,5ØD, 2ØD	1070	16	M10
400	600	ØD,1,5ØD, 2ØD	450	8	M8	1120	1320	ØD,1,5ØD, 2ØD	1190	20	M10
450	650	ØD,1,5ØD, 2ØD	500	8	M8	1250	1450	ØD,1,5ØD, 2ØD	1320	20	M10
500	700	ØD,1,5ØD, 2ØD	560	12	M8	1400	1600	ØD,1,5ØD, 2ØD	1470	20	M10
560	760	ØD,1,5ØD, 2ØD	620	12	M8	1500	1700	ØD,1,5ØD, 2ØD	1570	20	M10
630	830	ØD,1,5ØD, 2ØD	690	12	M8	1600	1800	ØD,1,5ØD, 2ØD	1680	24	M14
710	910	ØD,1,5ØD, 2ØD	770	16	M8	1700	1900	ØD,1,5ØD, 2ØD	1780	24	M14
800	1000	ØD,1,5ØD, 2ØD	860	16	M8	1800	2000	ØD,1,5ØD, 2ØD	1880	24	M14

DIRECT DRIVE MOTOR

CMTB

Extremely robust open blade and single inlet centrifugal fans with sheet steel casing and impeller

Designed for air that is very dusty and with materials suspended in the air



*The images are provided only for illustrative purposes, the product may vary depending on its size, specifications and position.

- Fan:**
- Sheet steel casing.
 - Backward curved impeller, made of very robust sheet steel, specially designed for air with a lot of dust and suspended materials.
 - Directly coupled motor.
 - With inspection and cleaning hatch from size 560 and up.

Motor:

- Motors with IE3 efficiency for powers equal to or greater than 0.75kW, except single-phase, 2-speed and 8-pole.
- Class F motors with ball bearings, IP55 protection.
- Three-phase 230/400 V 50 Hz (up to 4 kW) and 400/690 V 50 Hz (powers greater than 4 kW).
- Maximum temperature of air to be carried: -25 °C +90 °C.

Finishing:

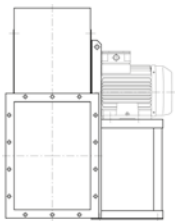
- Anti-corrosive finish in polyester resin, polymerised at 190 °C, after degreasing with phosphate-free nanotechnology treatment.

On request:

- Special windings for different voltages.
- Fan prepared to transport air up to +150 °C.
- Special executions for temperatures + 300 °C.
- Stainless steel fan.
- ATEX certified Category 2.
- System 8 elastic coupling.

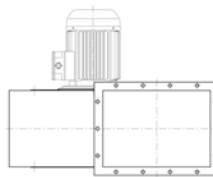
Direct drive motor construction method

SYSTEM 4



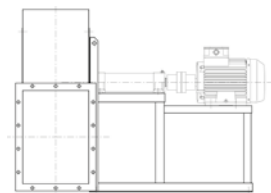
Direct drive, impeller mounted on the motor shaft, mounted on the pedestal.

SYSTEM 5



Direct drive, impeller mounted on the motor shaft, flange motor mounted on the fan casing.

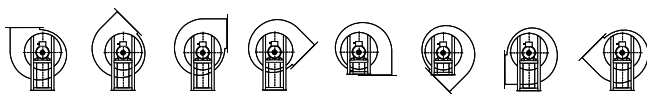
SYSTEM 8



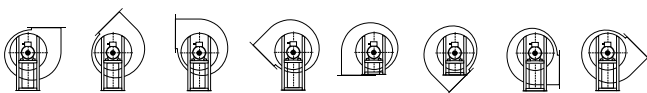
Elastic coupling drive, impeller mounted on the support shaft, mounted on the motor via an elastic coupling. Everything mounted together on a fan pedestal.

Orientations

RD 0 RD45 RD90 RD135 RD180 RD225 RD270 RD315



LG 0 LG45 LG90 LG135 LG180 LG225 LG270 LG315



LARGE SERIES

BELT-DRIVEN MOTOR

CMTB-X

Centrifugal, open blade, belt driven fans fitted with electric motors and a standardized set of pulleys, belts and protectors in accordance with standard ISO 13857

Designed for air that is very dusty and with materials suspended in the air



Motor:

- IE3 efficiency motors.
- Class F motors with ball bearings, IP55 protection.
- Three-phase 230/400 V 50 Hz (up to 4 kW) and 400/690 V 50 Hz (powers greater than 4 kW).
- Maximum temperature of air to be carried: -25 °C +90 °C.

Finishing:

- Anti-corrosive finish in polyester resin, polymerised at 190 °C, after degreasing with phosphate-free nanotechnology treatment.

On request:

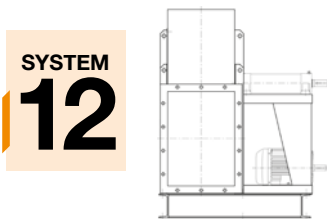
- Special windings for different voltages.
- Fan prepared to transport air up to +300 °C.
- Stainless steel fan.
- ATEX certified Category 2.
- System 8 elastic coupling.

Fan:

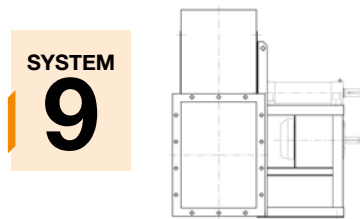
- Sheet steel casing.
- Backward curved impeller, made of very robust sheet steel, specially designed for air with a lot of dust and suspended materials.
- Engine mounted on general bench.
- With inspection and cleaning hatch from size 560 and up.

*The images are provided only for illustrative purposes, the product may vary depending on its size, specifications and position.

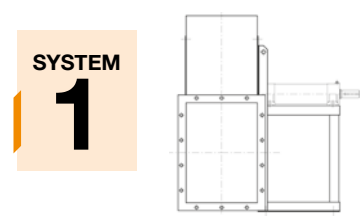
Belt-driven motor construction method



Transmission drive, identical to SYSTEM 1, with the motor and fan mounted on the common bench. Motor positions "W" or "Z" and exceptionally "X" or "Y".



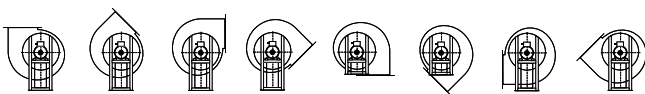
Transmission drive, identical to SYSTEM 1, with the motor mounted on the side of the pedestal, in position "W" or "Z".



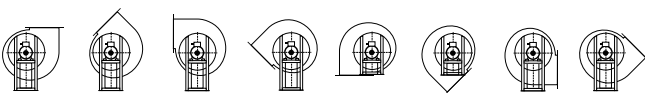
Transmission drive, impeller mounted on the support shaft. Support mounted on the pedestal.

Orientations

RD 0 RD45 RD90 RD135 RD180 RD225 RD270 RD315



LG 0 LG45 LG90 LG135 LG180 LG225 LG270 LG315



QUICK SELECT SYSTEM 4

Outlet characteristics

Model	Frame	kW ass	kW inst.	r.p.m.	dB	V m ³ /s																
						0.16	0.18	0.2	0.23	0.26	0.3	0.33	0.36	0.4	0.46	0.52	0.58	0.66	0.75	0.83		
						Pt kgf/m ² =mmH ₂ O																
CMTB 250	71 B/2	0.53	0.55	2810	75	99	97	94	92	90	89	78										
CMTB 280	80 B/2	0.9	1.1	2820	80				135	134	132	130	125	122	120	119						
CMTB 310	90 S/2	1.3	1.5	2840	82							175	174	172	165	155	145	140				
CMTB 350	112 M/2	3.7	4	2860	90												230	229	228	226	224	
CMTB 400	132 SB/2	7.1	7.5	2900	92													284				

Model	Frame	kW ass	kW inst.	r.p.m.	dB	V m ³ /s								
						0.93	1	1.2	1.35	1.5	1.8	1.9	2	
						Pt kgf/m ² =mmH ₂ O								
CMTB 350	112 M/2	3.7	4	2860	90	220	218							
CMTB 400	132 SB/2	7.1	7.5	2900	92	284	284	280	276	274	270			
CMTB 450	160 MA/2	10.5	11	2910	95				365	365	365	360	355	
CMTB 470	160 MB/2	14.2	15	2930	97					415	410	405	400	390

Flow margin ±5%
Noise level margin + 3... 5 dB

Inlet characteristics

Model	Frame	kW ass	kW inst.	r.p.m.	dB	V m ³ /s																
						0.16	0.18	0.2	0.23	0.26	0.3	0.33	0.36	0.4	0.46	0.52	0.58	0.66	0.75	0.83		
						Pt kgf/m ² =mmH ₂ O																
CMTB 250	71 B/2	0.53	0.55	2810	78	96	94	91	89	87	86	76										
CMTB 280	80 B/2	0.9	1.1	2820	83				131	130	128	126	121	118	116	115						
CMTB 310	90 S/2	1.3	1.5	2840	85							170	169	167	160	150	141	136				
CMTB 350	112 M/2	3.7	4	2860	93												223	222	221	219	217	
CMTB 400	132 SB/2	7.1	7.5	2900	95													275				

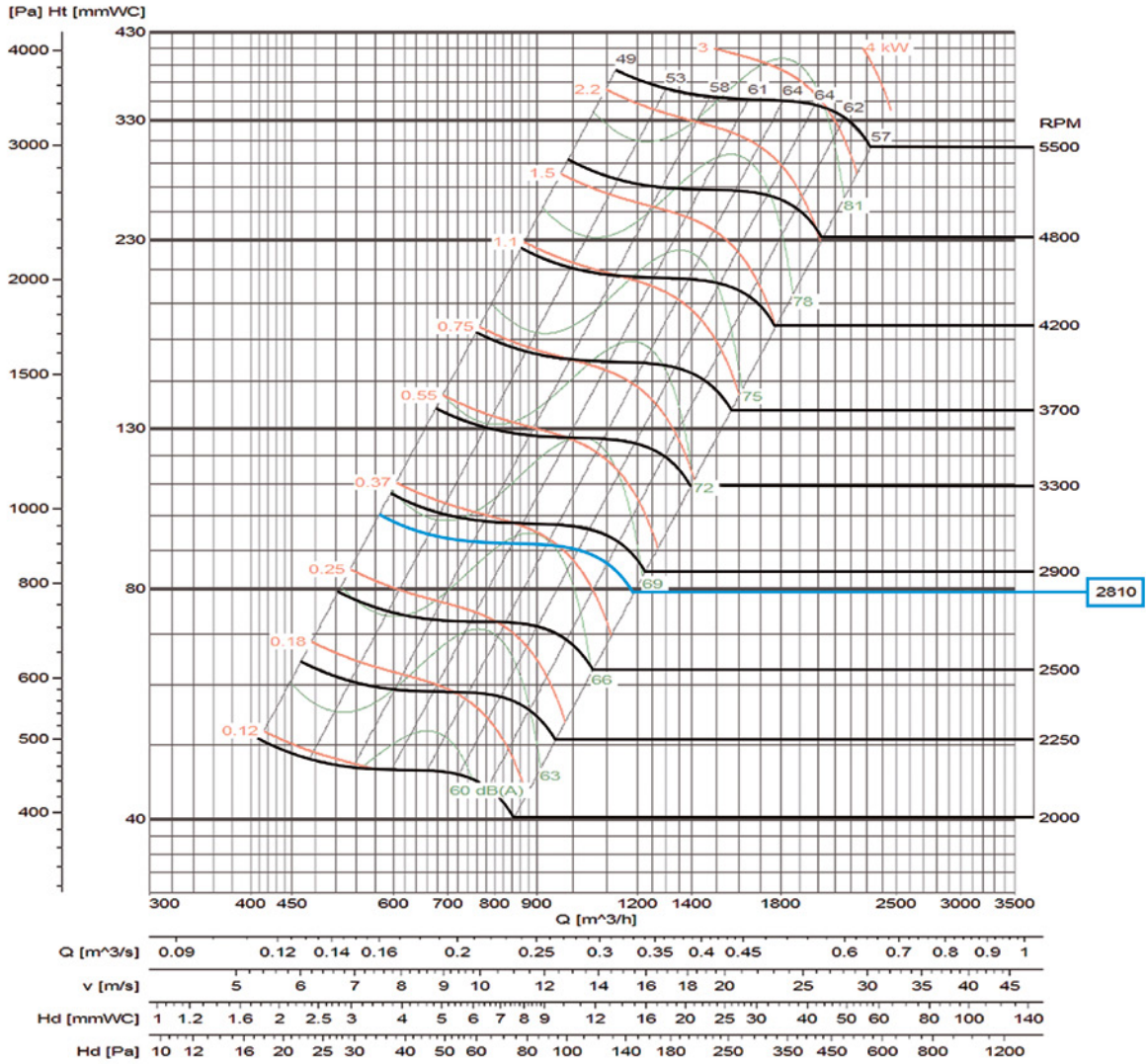
Model	Frame	kW ass	kW inst.	r.p.m.	dB	V m ³ /s								
						0.93	1	1.2	1.35	1.5	1.8	1.9	2	
						Pt kgf/m ² =mmH ₂ O								
CMTB 350	112 M/2	3.7	4	2860	93	213	211							
CMTB 400	132 SB/2	7.1	7.5	2900	95	275	275	272	268	266	262			
CMTB 450	160 MA/2	10.5	11	2910	98				354	354	354	349	344	
CMTB 470	160 MB/2	14.2	15	2930	100					403	398	393	388	378

Flow margin ±5%
Noise level margin + 3... 5 dB

LARGE SERIES

Characteristic curves

CMTB 250



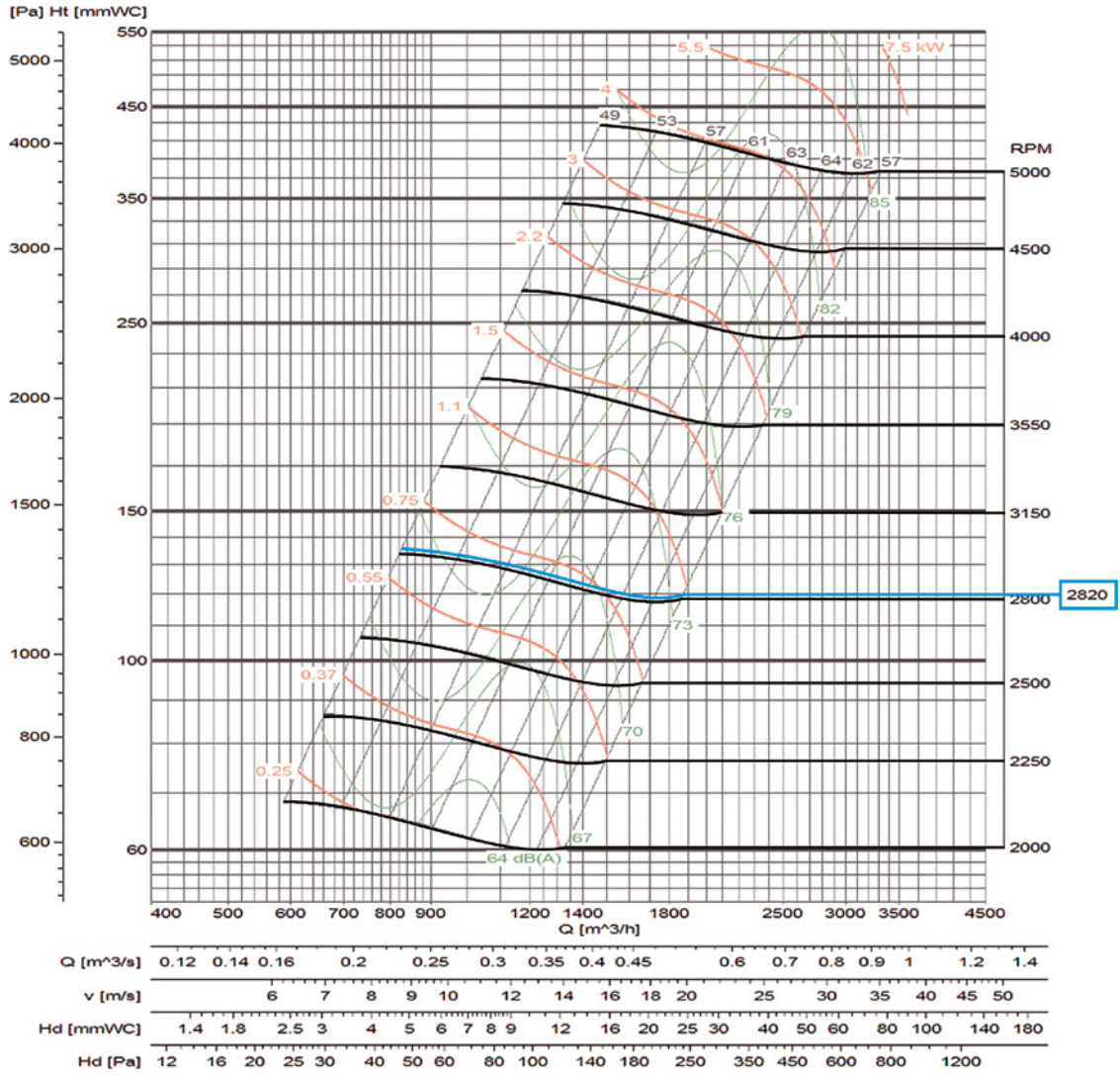
Flow margin ±5%
 Noise level margin + 3... 5 dB
 Margin of kW absorbed ±3%

Outlet characteristics.

Rpm Characteristics for: system 4 and 5 in direct drive motor with 2/4/6/8 poles depending on the model.

Characteristic curves

CMTB 280



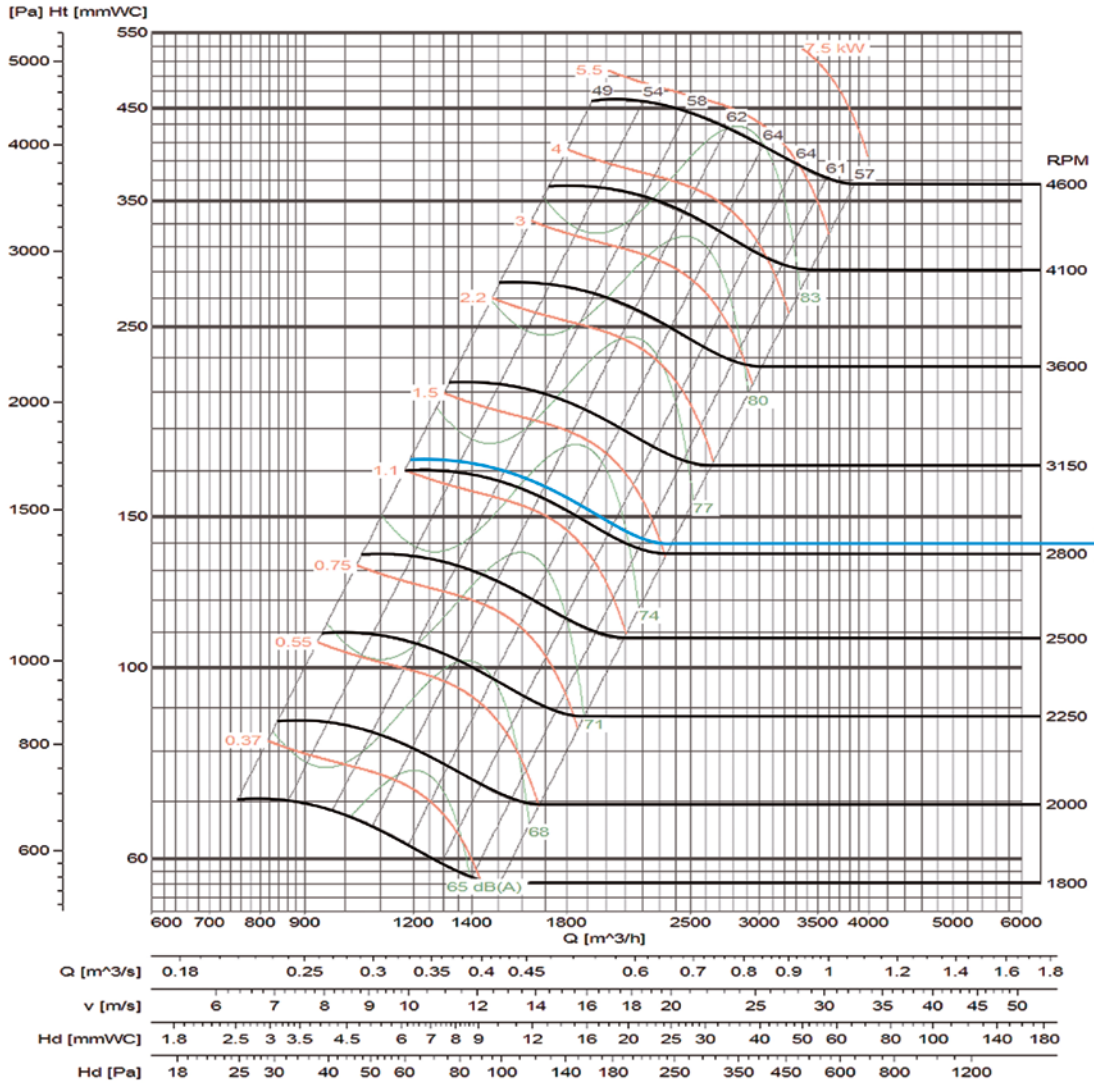
LARGE SERIES

Flow margin ±5%
 Noise level margin + 3... 5 dB
 Margin of kW absorbed ±3%
 Outlet characteristics.

Rpm Characteristics for: system 4 and 5 in direct drive motor with 2/4/6/8 poles depending on the model.

Characteristic curves

CMTB 310



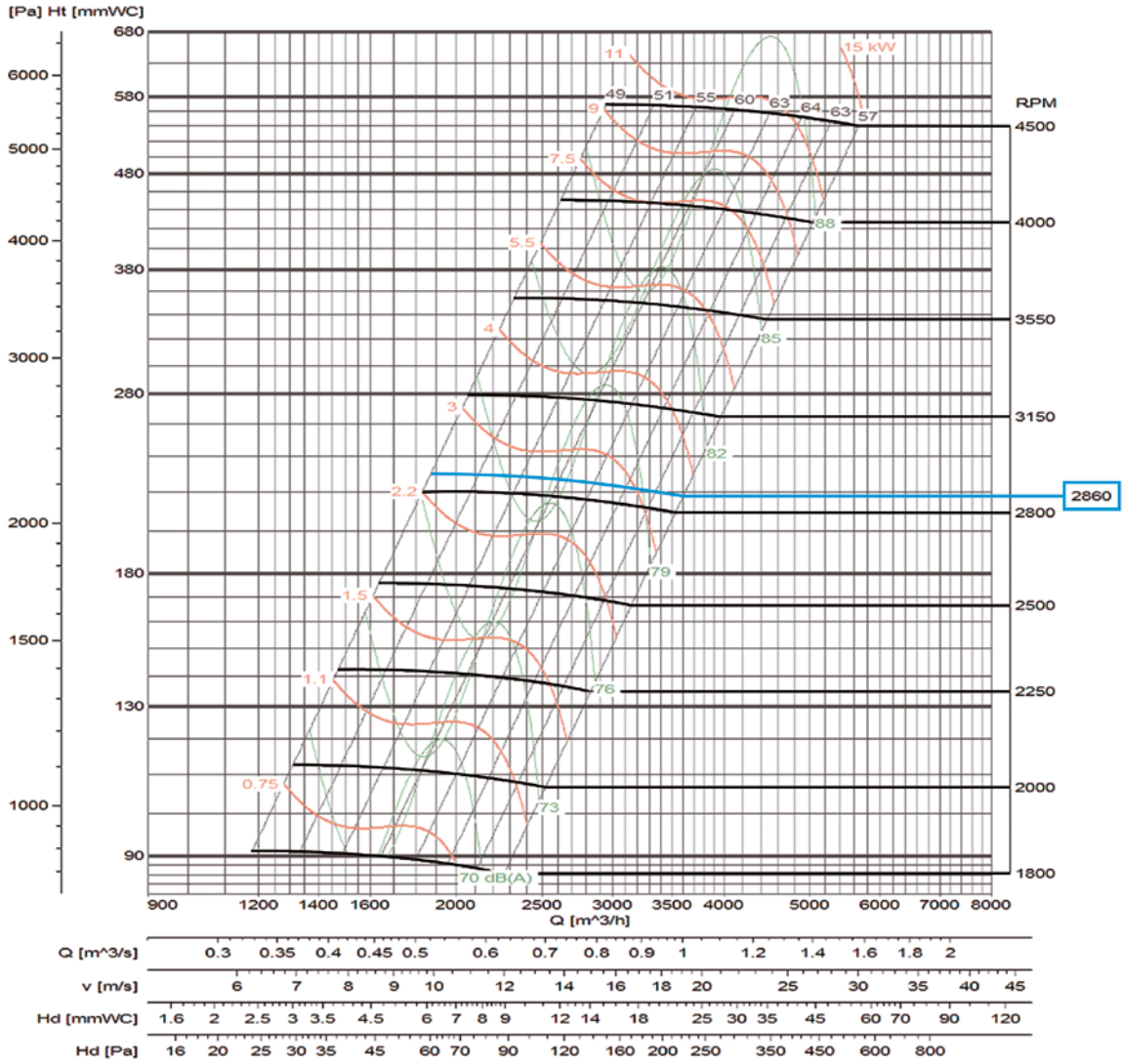
Flow margin ±5%
 Noise level margin + 3... 5 dB
 Margin of kW absorbed ±3%

Outlet characteristics.

Rpm Characteristics for: system 4 and 5 in direct drive motor with 2/4/6/8 poles depending on the model.

Characteristic curves

CMTB 350



LARGE SERIES

Flow margin ±5%
 Noise level margin + 3... 5 dB
 Margin of kW absorbed ±3%

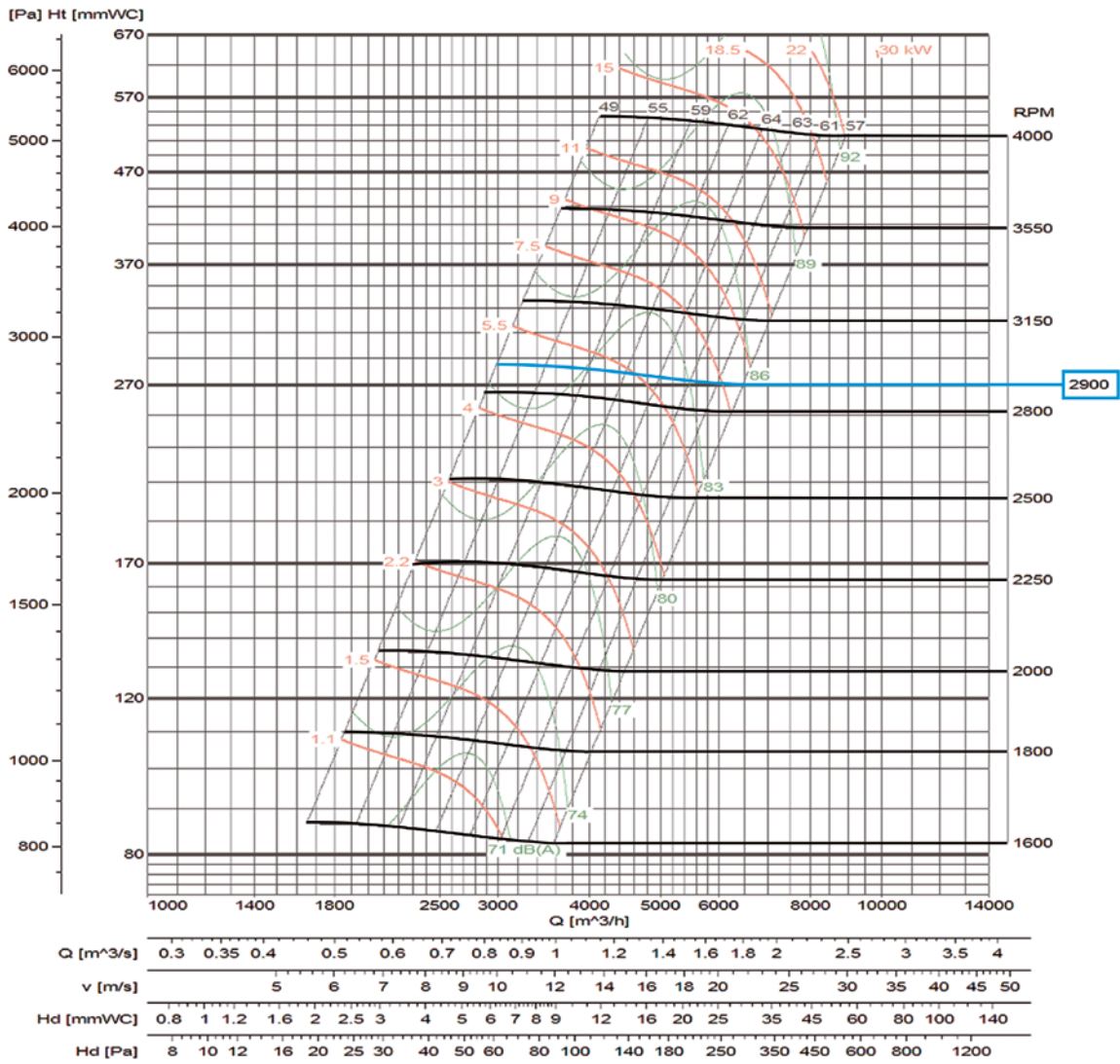
Outlet characteristics.

Rpm

Characteristics for: system 4 and 5 in direct drive motor with 2/4/6/8 poles depending on the model.

Characteristic curves

CMTB 400



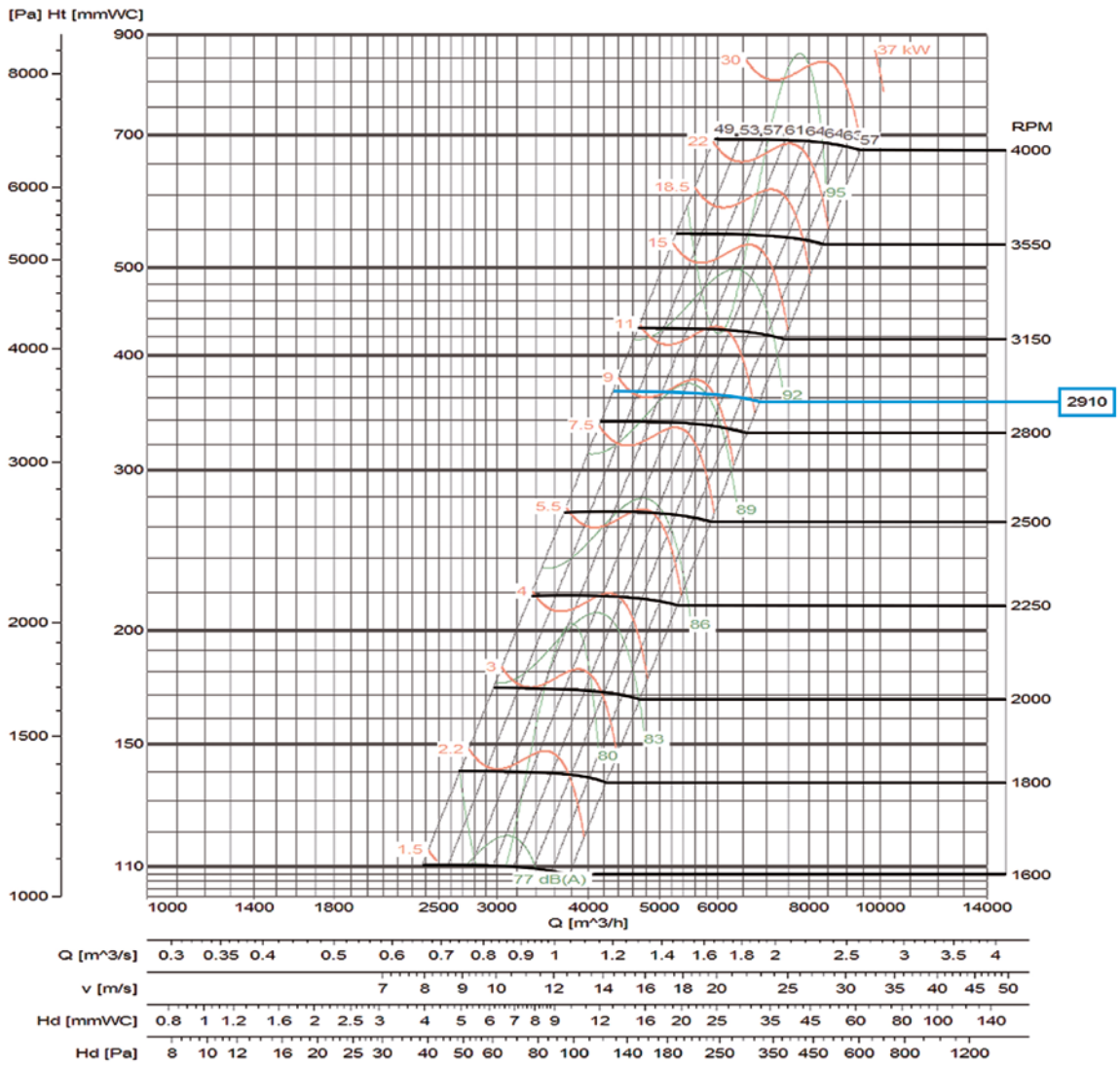
Flow margin ±5%
 Noise level margin + 3... 5 dB
 Margin of kW absorbed ±3%

Outlet characteristics.

Rpm Characteristics for: system 4 and 5 in direct drive motor with 2/4/6/8 poles depending on the model.

Characteristic curves

CMTB 450



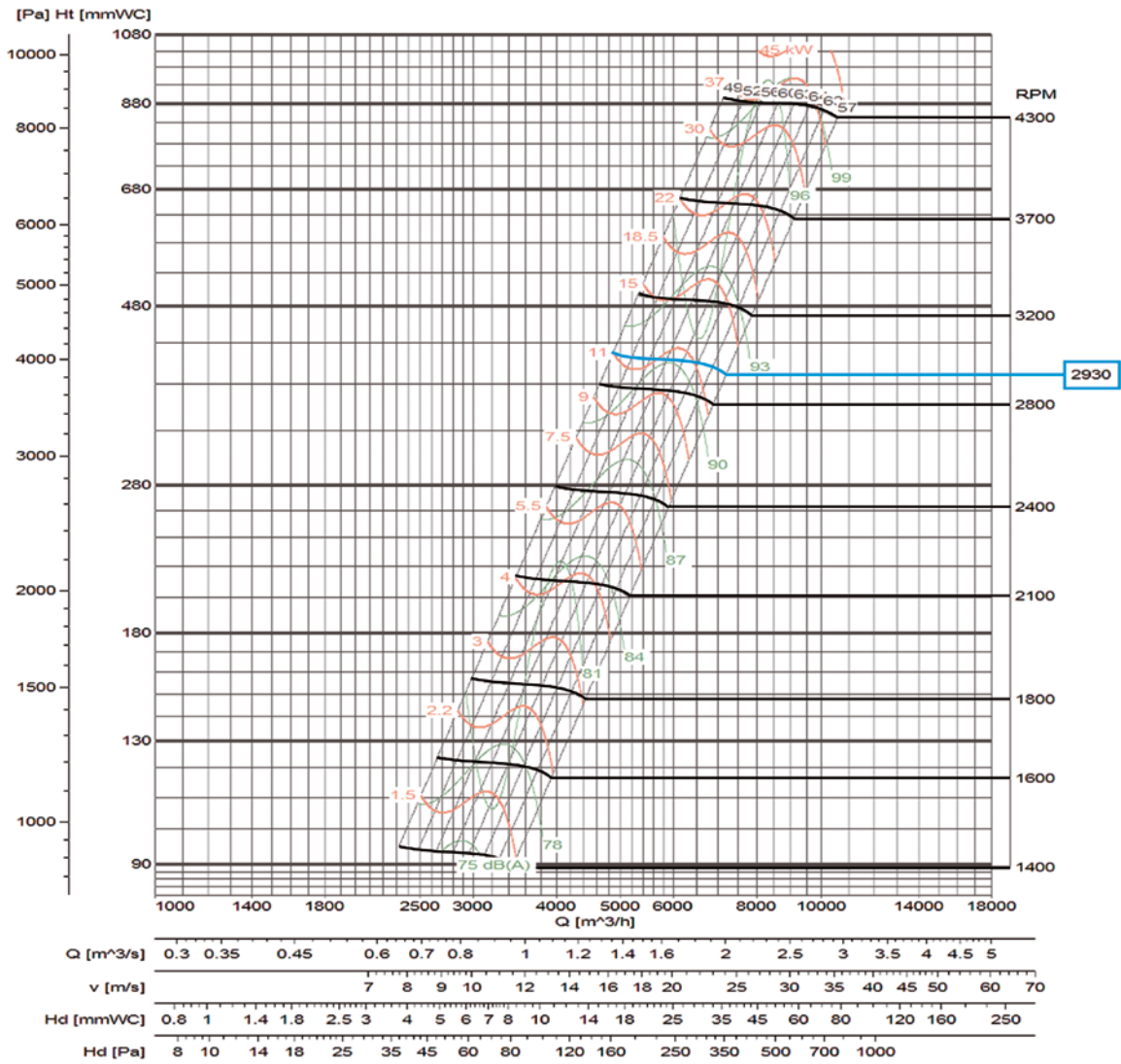
LARGE SERIES

Flow margin ±5%
 Noise level margin + 3... 5 dB
 Margin of kW absorbed ±3%
 Outlet characteristics.

Rpm Characteristics for: system 4 and 5 in direct drive motor with 2/4/6/8 poles depending on the model.

Characteristic curves

CMTB 470



Flow margin ±5%
 Noise level margin + 3... 5 dB
 Margin of kW absorbed ±3%

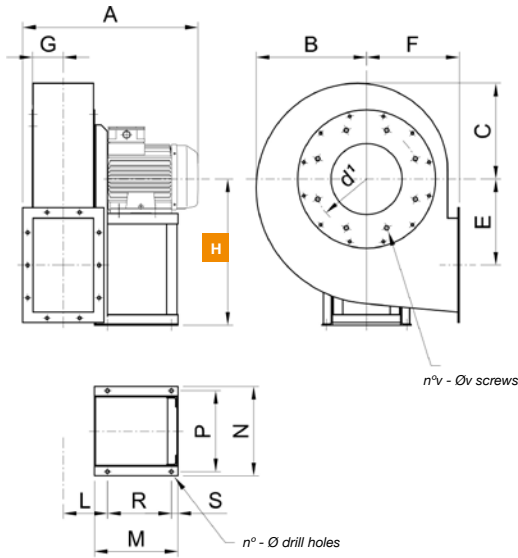
Outlet characteristics.

Rpm Characteristics for: system 4 and 5 in direct drive motor with 2/4/6/8 poles depending on the model.

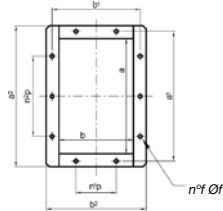
Dimensions mm

SYSTEM
4

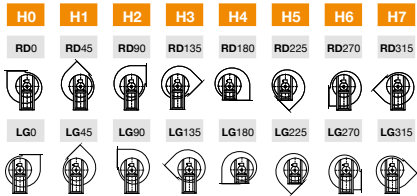
CMTB 250...470



OUTLET NOZZLE



ORIENTATIONS



H *The measurement of height H (distance between the ground and the axis) varies depending on the orientations

MOD.	FRAME	A*	B	C	E	F	G	HO-1-2-3	H4-5	H6-7	L	M*	N	P	R*	S
CMTB 250	71 B/2	375	215	190	160	180	67	315	180	315	111	190	244	220	115	25
CMTB 280	80 B/2	415	255	225	200	220	74	375	220	375	118	190	244	220	115	25
CMTB 310	90 S/2	465	285	245	225	240	86	400	240	400	125	215	269	245	140	25
CMTB 350	112 M/2	540	330	295	250	290	104	500	290	500	146	260	312	280	185	25
CMTB 400	132 SB/2	675	425	370	330	355	118	560	355	560	169	320	342	310	245	25
CMTB 450	160 MA/2	745	425	370	330	355	118	560	355	560	169	425	490	450	345	30
CMTB 470	160 MB/2	745	425	370	330	355	118	560	355	560	169	425	490	450	345	30

OUTLET NOZZLE

MOD.	n°	Φ	d¹	n°v	Φv	a	b	a¹	b¹	a²	b²	n°p	n°p	n°f	Φf	kg	WD²
CMTB 250	4	10	200	8	M6	184	116	219	151	254	186	-	1-112	6	12	25	0.05
CMTB 280	4	10	241	8	M6	204	129	241	166	274	199	-	1-112	6	12	35	0.08
CMTB 310	4	10	265	8	M6	229	144	265	181	299	214	1-112	1-112	8	12	45	0.2
CMTB 350	4	12	332	8	M8	284	185	332	232	364	265	1-125	2-125	10	12	70	0.6
CMTB 400	4	12	405	8	M8	360	231	405	274	440	311	1-125	2-125	10	12	110	1
CMTB 450	4	14	405	8	M8	360	231	405	274	440	311	1-125	2-125	10	12	145	1.3
CMTB 470	4	14	405	8	M8	360	231	405	274	440	311	1-125	2-125	10	12	150	1.6

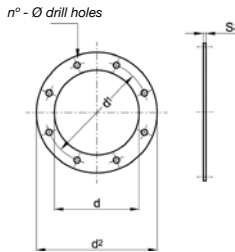
*For "HIGH TEMP." constructions, elevations "A-M-R" + 50 mm.
(kg) Weight of fan with motor.
WD² = Moment of inertia of the impeller, expressed in Kg x m²

To obtain the dimensions of systems 1, 9 and 12 consult with our technical team.

LARGE SERIES

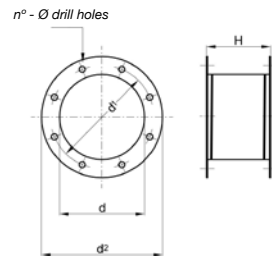
Accessories

Inlet counter flange



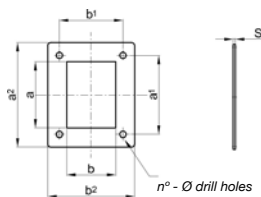
MOD.	d	d ¹	d ²	n°	Φ	s	kg
CMTB 250	165	200	235	8	9	4	0.65
CMTB 280	205	241	275	8	9	4	0.75
CMTB 310	229	265	299	8	9	4	0.8
CMTB 350	286	332	366	8	11	5	1.6
CMTB 400	361	405	441	8	11	5	2
CMTB 450	361	405	441	8	11	5	2
CMTB 470	361	405	441	8	11	5	2

Inlet anti-vibration seal



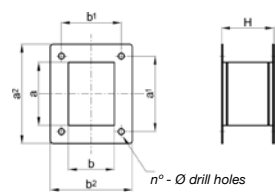
MOD.	d	d ¹	d ²	n°	Φ	H	kg
CMTB 250	165	200	235	8	9	200	1.5
CMTB 280	205	241	275	8	9	200	1.7
CMTB 310	229	265	299	8	9	200	1.8
CMTB 350	286	332	366	8	11	200	3.5
CMTB 400	361	405	441	8	11	200	4.3
CMTB 450	361	405	441	8	11	200	4.3
CMTB 470	361	405	441	8	11	200	4.3

Impulsion counter-flange



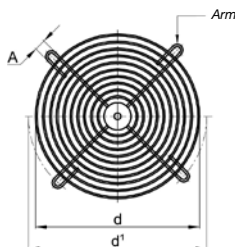
MOD.	a	b	a ¹	b ¹	a ²	b ²	n ¹ p	n ² p	n°	Φ	s	kg
CMTB 250	184	116	219	151	254	186	-	1-112	6	12	4	0.8
CMTB 280	204	129	241	166	274	199	-	1-112	6	12	4	0.9
CMTB 310	229	144	265	181	299	214	1-112	1-112	8	12	4	1
CMTB 350	284	185	332	232	364	265	1-125	2-125	10	12	5	1.7
CMTB 400	360	231	405	274	440	311	1-125	2-125	10	12	5	2
CMTB 450	360	231	405	274	440	311	1-125	2-125	10	12	5	2
CMTB 470	360	231	405	274	440	311	1-125	2-125	10	12	5	2

Impulsion anti-vibration seal



MOD.	a	b	a ¹	b ¹	a ²	b ²	n ¹ p	n ² p	n°	Φ	H	kg
CMTB 250	184	116	219	151	254	186	-	1-112	6	12	200	1.8
CMTB 280	204	129	241	166	274	199	-	1-112	6	12	200	2
CMTB 310	229	144	265	181	299	214	1-112	1-112	8	12	200	2.2
CMTB 350	284	185	332	232	364	265	1-125	2-125	10	12	200	3.7
CMTB 400	360	231	405	274	440	311	1-125	2-125	10	12	200	4.3
CMTB 450	360	231	405	274	440	311	1-125	2-125	10	12	200	4.3
CMTB 470	360	231	405	274	440	311	1-125	2-125	10	12	200	4.3

Inlet protection mesh

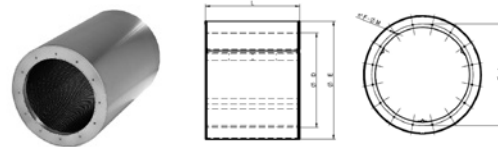


MOD.	d	d ¹	A	n°	kg
CMTB 250	165	200	9	4	0.15
CMTB 280	205	241	9	4	0.2
CMTB 310	229	265	9	4	0.25
CMTB 350	286	332	11	4	0.35
CMTB 400	361	405	11	4	0.7
CMTB 450	361	405	11	4	0.7
CMTB 470	361	405	11	4	0.7

Circular silencers

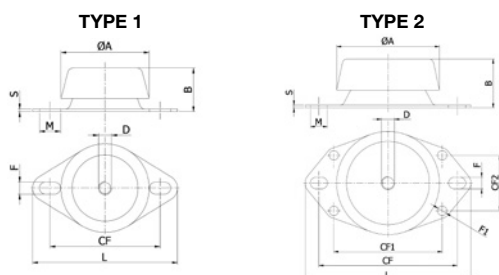
Silencers are used to lower the noise level at air conditioning or ventilation installation manufactured using galvanised steel.

- Upon request: other constructions using different materials.



øD	øE	L	øI	F	øM	øD	øE	L	øI	F	øM
315	515	ØD,1.5ØD, 2ØD	355	8	M8	900	1100	ØD,1.5ØD, 2ØD	970	16	M10
355	555	ØD,1.5ØD, 2ØD	395	8	M8	1000	1200	ØD,1.5ØD, 2ØD	1070	16	M10
400	600	ØD,1.5ØD, 2ØD	450	8	M8	1120	1320	ØD,1.5ØD, 2ØD	1190	20	M10
450	650	ØD,1.5ØD, 2ØD	500	8	M8	1250	1450	ØD,1.5ØD, 2ØD	1320	20	M10
500	700	ØD,1.5ØD, 2ØD	560	12	M8	1400	1600	ØD,1.5ØD, 2ØD	1470	20	M10
560	760	ØD,1.5ØD, 2ØD	620	12	M8	1500	1700	ØD,1.5ØD, 2ØD	1570	20	M10
630	830	ØD,1.5ØD, 2ØD	690	12	M8	1600	1800	ØD,1.5ØD, 2ØD	1680	24	M14
710	910	ØD,1.5ØD, 2ØD	770	16	M8	1700	1900	ØD,1.5ØD, 2ØD	1780	24	M14
800	1000	ØD,1.5ØD, 2ØD	860	16	M8	1800	2000	ØD,1.5ØD, 2ØD	1880	24	M14

Shock absorbers



MOD.	SHOCK-ABSORBERS MODEL	TYPE	øA	B	D	CF	CF1	CF2	F	øF1	L	M	S
CMTB 250	CF 623110	1	67	33...34	10	76.5	-	-	9	-	90.5	16	2
CMTB 280	CF 623110	1	67	33...34	10	76.5	-	-	9	-	90.5	16	2
CMTB 310	CF 623110	1	67	33...34	10	76.5	-	-	9	-	90.5	16	2
CMTB 350	CF 623110	1	67	33...34	10	76.5	-	-	9	-	90.5	16	2
CMTB 400	CF 623110	1	67	33...34	10	76.5	-	-	9	-	90.5	16	2
CMTB 450	CF 924512	2	92	44...45	12	120	98	50	10.5	8.5	130	15.5	2.5
CMTB 470	CF 924512	2	92	44...45	12	120	98	50	10.5	8.5	130	15.5	2.5

DIRECT DRIVE MOTOR

CMTC

Extremely robust open blade and single inlet centrifugal fans with sheet steel casing and impeller

Designed for air that is very dusty and with materials suspended in the air



*The images are provided only for illustrative purposes, the product may vary depending on its size, specifications and position.

- Fan:**
- Sheet steel casing.
 - Backward curved impeller, made of very robust sheet steel, specially designed for air with a lot of dust and suspended materials.
 - Directly coupled motor.
 - With inspection and cleaning hatch from size 560 and up.
 - Casing continuously welded starting with size 800.

Motor:

- Motors with IE3 efficiency for powers equal to or greater than 0.75kW, except single-phase, 2-speed and 8-pole.
- Class F motors with ball bearings, IP55 protection.
- Three-phase 230/400 V 50 Hz (up to 4 kW) and 400/690 V 50 Hz (powers greater than 4 kW).
- Maximum temperature of air to be carried: -25 °C +90 °C.

Finishing:

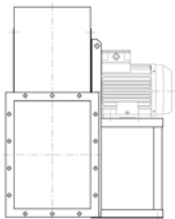
- Anti-corrosive finish in polyester resin, polymerised at 190 °C, after degreasing with phosphate-free nanotechnology treatment.

On request:

- Special windings for different voltages.
- Fan prepared to transport air up to +150 °C.
- Special executions for temperatures + 300 °C.
- Stainless steel fan.
- ATEX certified Category 2.
- System 8 elastic coupling.

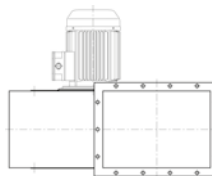
Direct drive motor construction method

SYSTEM 4



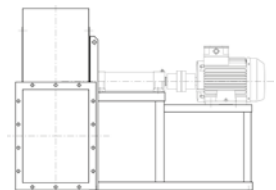
Direct drive, impeller mounted on the motor shaft, mounted on the pedestal.

SYSTEM 5



Direct drive, impeller mounted on the motor shaft, flange motor mounted on the fan casing.

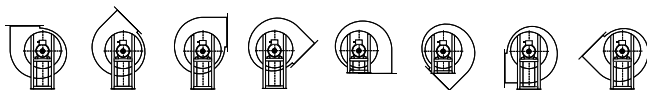
SYSTEM 8



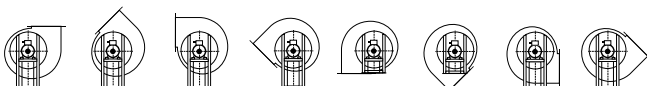
Elastic coupling drive, impeller mounted on the support shaft, mounted on the motor via an elastic coupling. Everything mounted together on a fan pedestal.

Orientations

RD 0 RD45 RD90 RD135 RD180 RD225 RD270 RD315



LG 0 LG45 LG90 LG135 LG180 LG225 LG270 LG315



LARGE SERIES

BELT-DRIVEN MOTOR

CMTC-X

Centrifugal, open blade, belt driven fans fitted with electric motors and a standardized set of pulleys, belts and protectors in accordance with standard ISO 13857

Designed for air that is very dusty and with materials suspended in the air



Motor:

- IE3 efficiency motors.
- Class F motors with ball bearings, IP55 protection.
- Three-phase 230/400 V 50 Hz (up to 4 kW) and 400/690 V 50 Hz (powers greater than 4 kW).
- Maximum temperature of air to be carried: -25 °C +90 °C.

Finishing:

- Anti-corrosive finish in polyester resin, polymerised at 190 °C, after degreasing with phosphate-free nanotechnology treatment.

On request:

- Special windings for different voltages.
- Fan prepared to transport air up to +300 °C.
- Stainless steel fan.
- ATEX certified Category 2.
- System 8 elastic coupling.

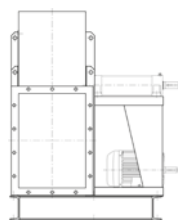
Fan:

- Sheet steel casing.
- Backward curved impeller, made of very robust sheet steel, specially designed for air with a lot of dust and suspended materials.
- Engine mounted on general bench.
- With inspection and cleaning hatch from size 560 and up.
- Casing continuously welded starting with size 800.

*The images are provided only for illustrative purposes, the product may vary depending on its size, specifications and position.

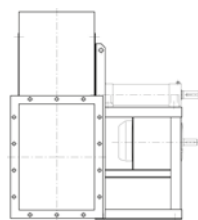
Belt-driven motor construction method

SYSTEM 12



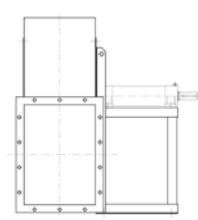
Transmission drive, identical to SYSTEM 1, with the motor and fan mounted on the common bench. Motor positions "W" or "Z" and exceptionally "X" or "Y".

SYSTEM 9



Transmission drive, identical to SYSTEM 1, with the motor mounted on the side of the pedestal, in position "W" or "Z".

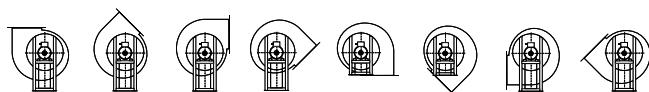
SYSTEM 1



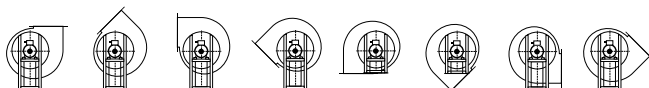
Transmission drive, impeller mounted on the support shaft. Support mounted on the pedestal.

Orientations

RD 0 RD45 RD90 RD135 RD180 RD225 RD270 RD315

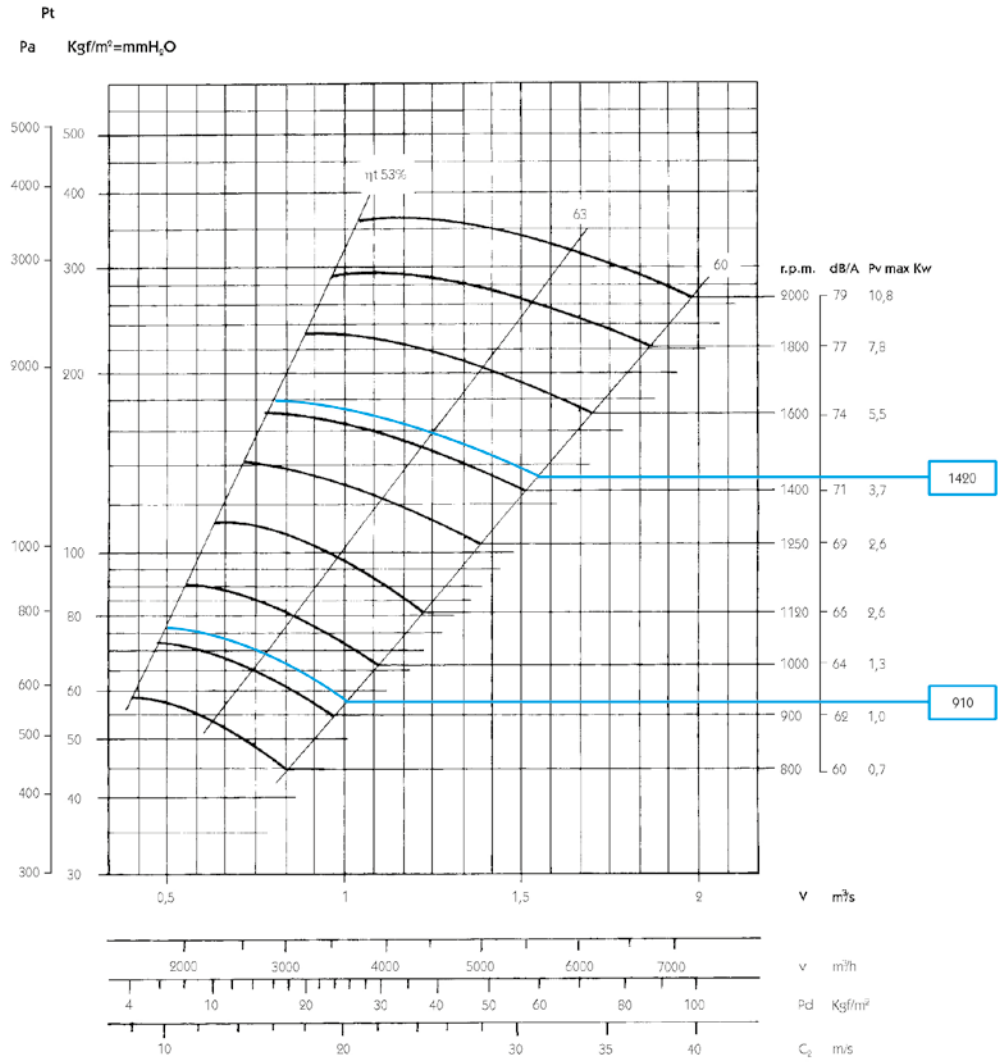


LG 0 LG45 LG90 LG135 LG180 LG225 LG270 LG315



Characteristic curves

CMTC 630



Flow margin ±5%
Noise level margin + 3... 5 dB
Margin of kW absorbed ±3%

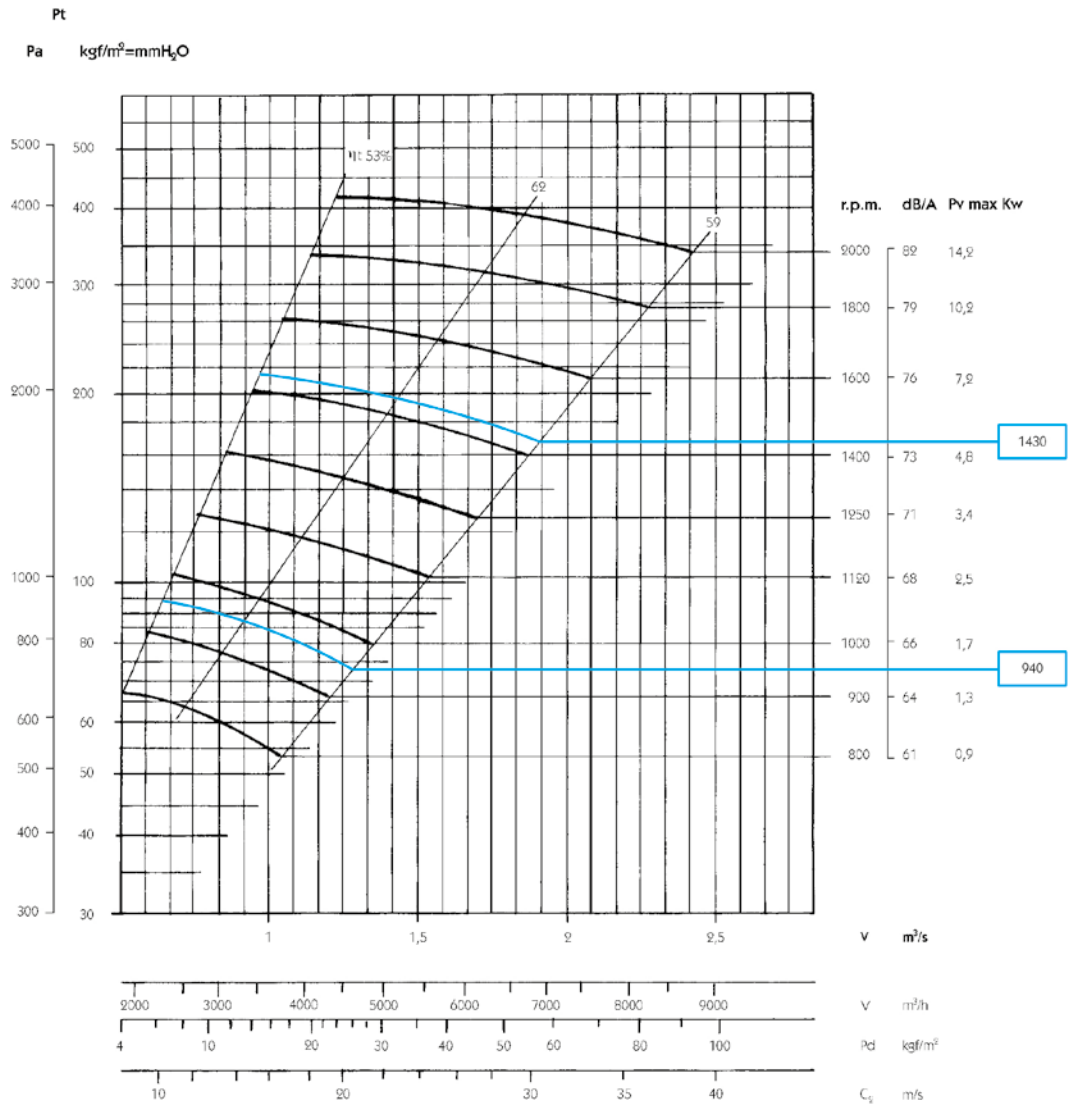
Outlet characteristics.

Rpm

Characteristics for: system 4 and 5 in direct drive motor with 2/4/6/8 poles depending on the model.

Characteristic curves

CMTC 670



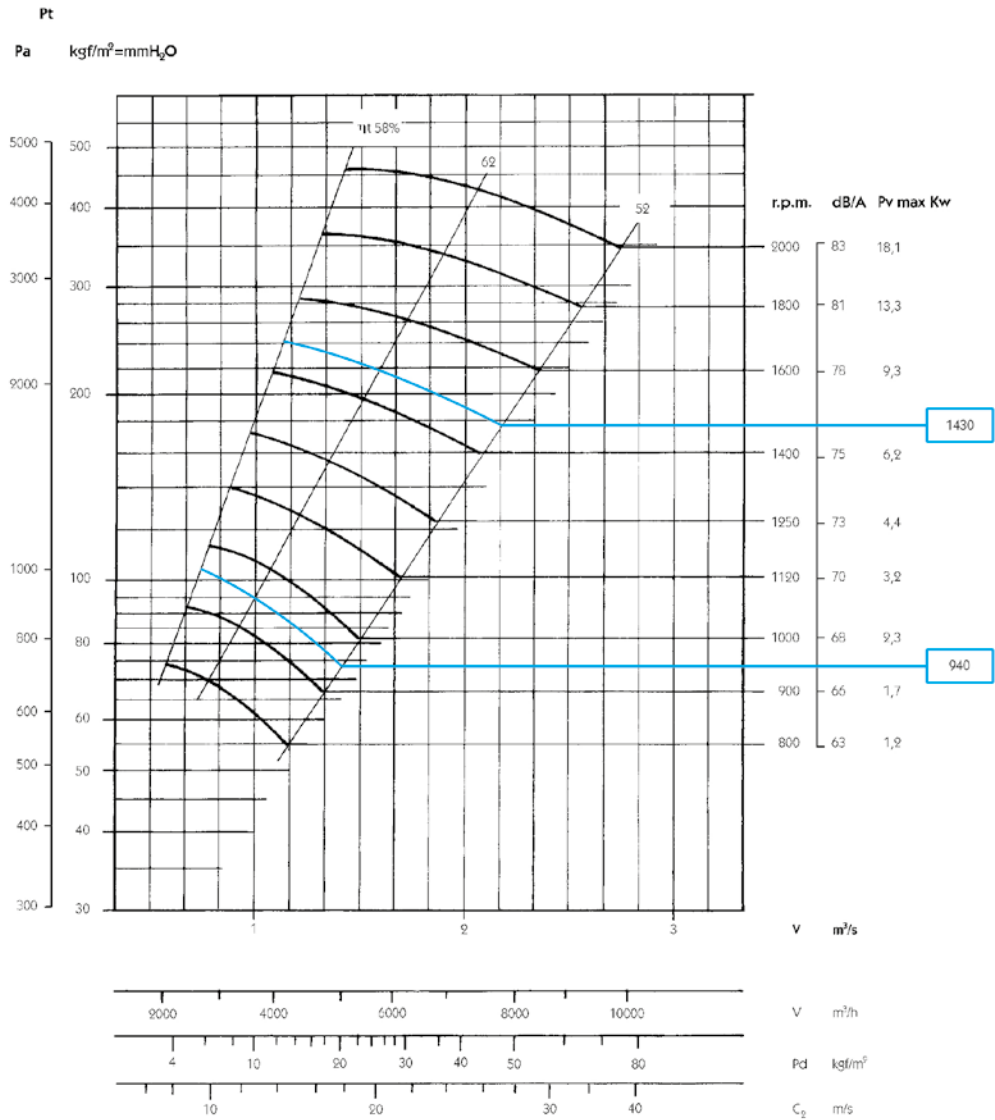
Flow margin ±5%
 Noise level margin + 3... 5 dB
 Margin of kW absorbed ±3%

Outlet characteristics.

Rpm Characteristics for: system 4 and 5 in direct drive motor with 2/4/6/8 poles depending on the model.

Characteristic curves

CMTC 700



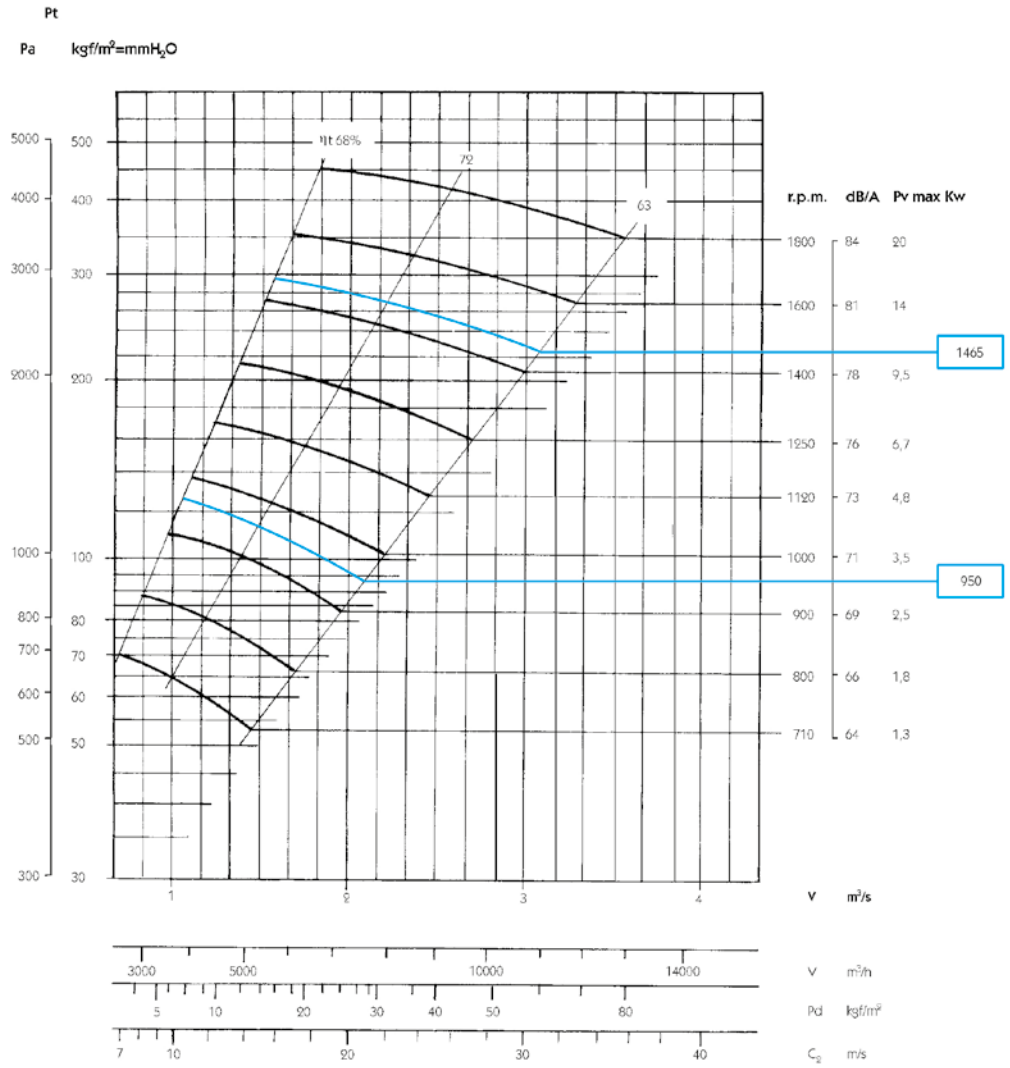
Flow margin ±5%
 Noise level margin + 3... 5 dB
 Margin of kW absorbed ±3%

Outlet characteristics.

Rpm Characteristics for: system 4 and 5 in direct drive motor with 2/4/6/8 poles depending on the model.

Characteristic curves

CMTC 750



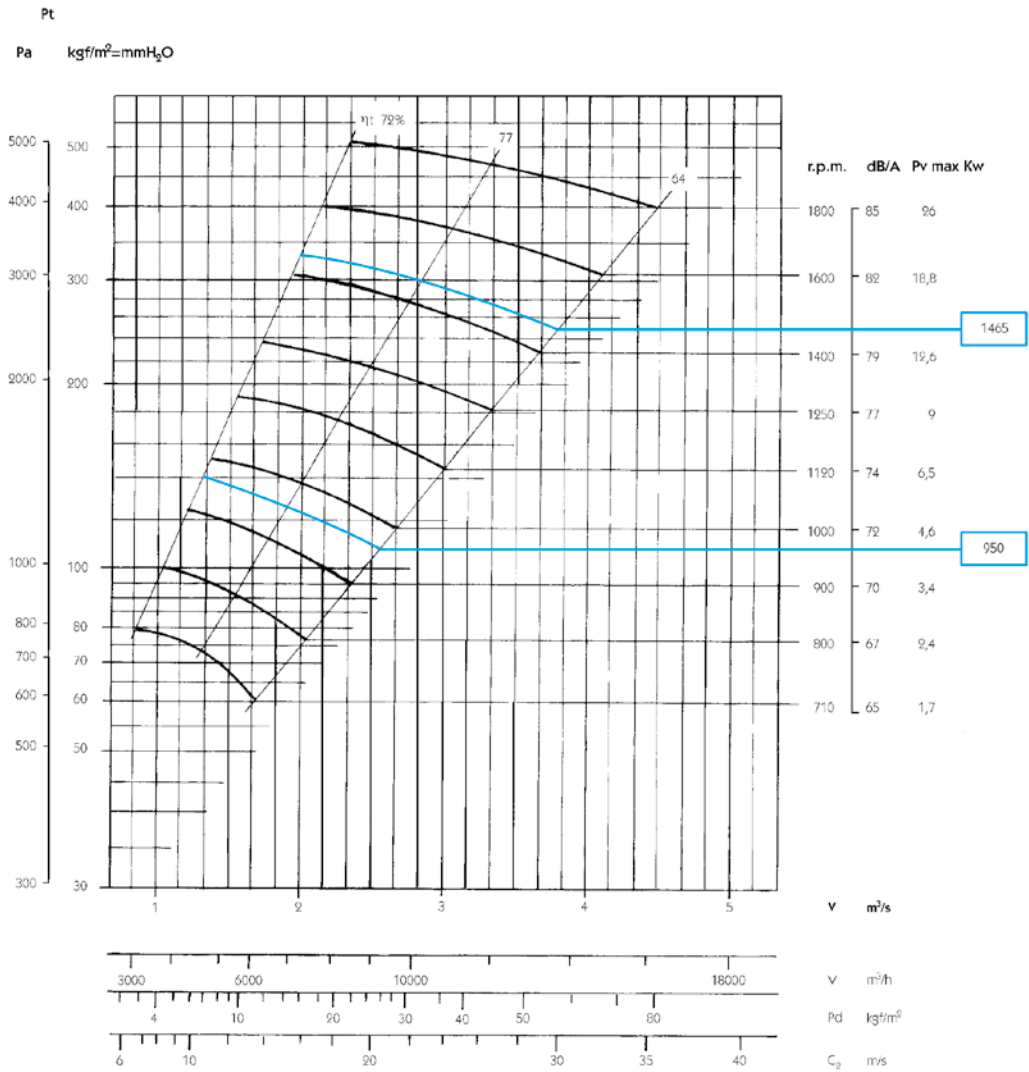
Flow margin $\pm 5\%$
 Noise level margin + 3... 5 dB
 Margin of kW absorbed $\pm 3\%$

Outlet characteristics.

Rpm Characteristics for: system 4 and 5 in direct drive motor with 2/4/6/8 poles depending on the model.

Characteristic curves

CMTC 800



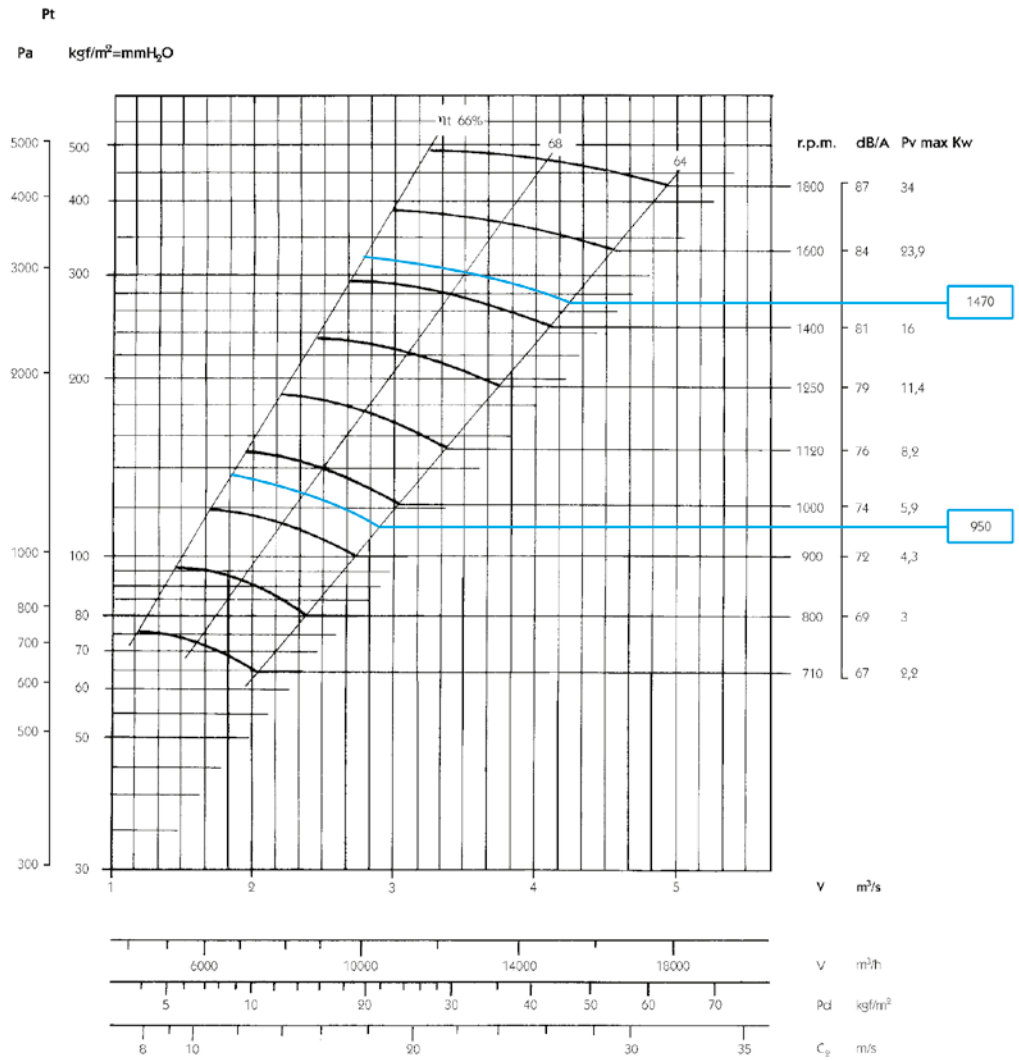
Flow margin ±5%
 Noise level margin + 3... 5 dB
 Margin of kW absorbed ±3%

Outlet characteristics.

Rpm Characteristics for: system 4 and 5 in direct drive motor with 2/4/6/8 poles depending on the model.

Characteristic curves

CMTC 835



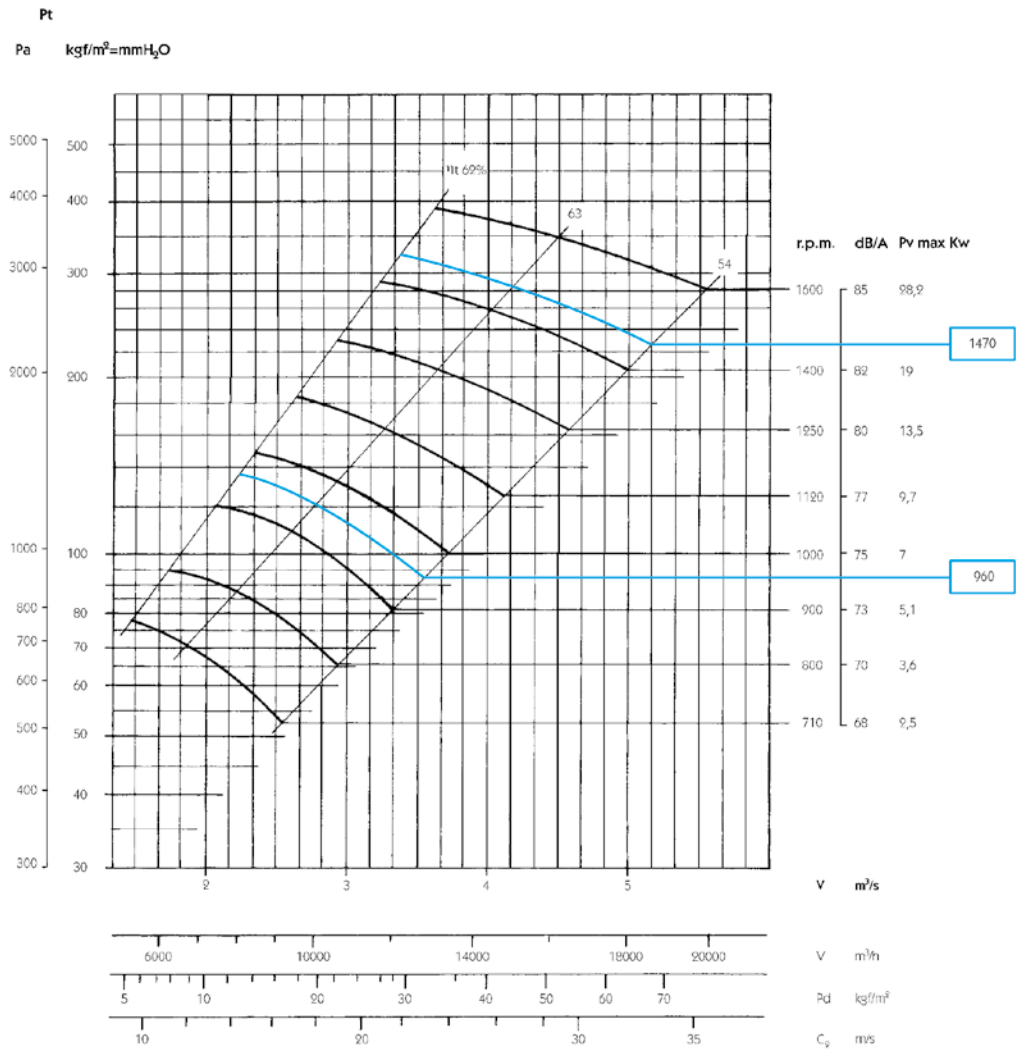
Flow margin $\pm 5\%$
 Noise level margin + 3... 5 dB
 Margin of kW absorbed $\pm 3\%$

Outlet characteristics.

Rpm Characteristics for: system 4 and 5 in direct drive motor with 2/4/6/8 poles depending on the model.

Characteristic curves

CMTC 855



Flow margin $\pm 5\%$
 Noise level margin + 3... 5 dB
 Margin of kW absorbed $\pm 3\%$

Outlet characteristics.

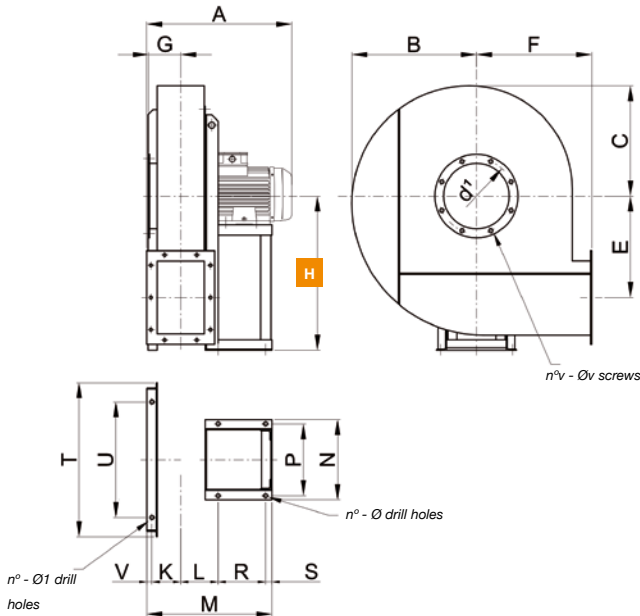
Rpm

Characteristics for: system 4 and 5 in direct drive motor with 2/4/6/8 poles depending on the model.

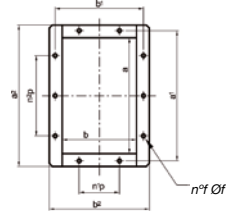
Dimensions mm

SYSTEM
4

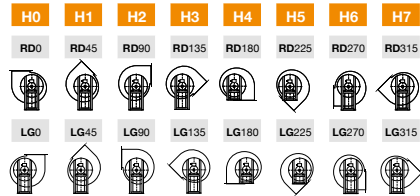
CMTC 630...855



OUTLET NOZZLE



ORIENTATIONS



H *The measurement of height H (distance between the ground and the axis) varies depending on the orientations

MOD.	FRAME	A*	B	C	E	F	G	HO-1-2-3	H4-5	H6-7	L	K	M*	N	P	R*	S	T	U
CMTC 630	112 M/4	540	490	435	395	450	125	600	450	600	146	-	260	312	280	185	25	-	-
CMTC 630	90 L/6	510	490	435	395	450	125	600	450	600	146	-	215	269	245	140	25	-	-
CMTC 670	132 S/4	650	535	480	425	475	145	630	475	630	157	-	320	342	310	245	25	-	-
CMTC 670	112 M/6	560	535	480	425	475	145	630	475	630	157	-	260	312	280	185	25	-	-
CMTC 700	132 MA/4	705	575	515	445	500	160	710	500	710	169	-	320	342	310	245	25	-	-
CMTC 700	112 M/6	590	575	515	445	500	160	710	500	710	169	-	260	312	280	185	25	-	-
CMTC 750	160 M/4	775	640	575	494	560	172	750	560	750	183	-	425	440	400	345	30	-	-
CMTC 750	132 MA/6	730	640	575	494	560	172	750	560	750	183	-	320	342	310	245	25	-	-
CMTC 800	160 L/4	915	655	580	500	560	195	800	560	800	198	183	776	440	400	345	30	820	660
CMTC 800	132 MB/6	790	655	580	500	560	195	800	560	800	198	183	671	342	310	245	25	820	660
CMTC 835	180 M/4	990	730	640	560	630	210	900	630	900	235	201	856	490	450	370	30	900	740
CMTC 835	132 MB/6	830	730	640	560	630	210	900	630	900	215	201	706	342	310	245	25	900	740
CMTC 855	180 L/4	990	730	640	560	630	210	900	630	900	235	201	856	490	450	370	30	900	740
CMTC 855	160 M/6	870	730	640	560	630	210	900	630	900	215	201	811	490	450	345	30	900	740

OUTLET NOZZLE

MOD.	V	n°	Φ	Φ ¹	d ¹	n°v	Φv	a	b	a ¹	b ¹	a ²	b ²	n°p	n°p	n°f	Φf	kg	WD ²
CMTC 630	-	4	12	-	292	8	11	284	185	332	232	364	265	1-125	2-125	10	12	135	4.1
CMTC 630	-	4	10	-	292	8	11	284	185	332	232	364	265	1-125	2-125	10	12	105	4.1
CMTC 670	-	4	12	-	332	8	11	320	207	366	251	400	287	1-125	2-125	10	12	170	5.3
CMTC 670	-	4	12	-	332	8	11	320	207	366	251	400	287	1-125	2-125	10	12	150	5.3
CMTC 700	-	4	12	-	366	8	11	360	231	405	274	440	311	1-125	2-125	10	12	185	6.1
CMTC 700	-	4	12	-	366	8	11	360	231	405	274	440	311	1-125	2-125	10	12	155	6.1
CMTC 750	-	4	14	-	405	8	11	405	257	448	298	485	337	1-125	3-125	12	12	270	8.9
CMTC 750	-	4	12	-	405	8	11	405	257	448	298	485	337	1-125	3-125	12	12	225	8.9
CMTC 800	20	6	14	19	448	12	11	457	287	497	327	537	367	2-125	3-125	14	12	305	12
CMTC 800	20	6	12	19	448	12	11	457	287	497	327	537	367	2-125	3-125	14	12	255	12
CMTC 835	20	6	17	19	497	12	11	507	322	551	366	587	402	2-125	3-125	14	12	375	14
CMTC 835	20	6	12	19	497	12	11	507	322	551	366	587	402	2-125	3-125	14	12	290	14
CMTC 855	20	6	17	19	497	12	11	507	322	551	366	587	402	2-125	3-125	14	12	400	15.3
CMTC 855	20	6	14	19	497	12	11	507	322	551	366	587	402	2-125	3-125	14	12	320	15.3

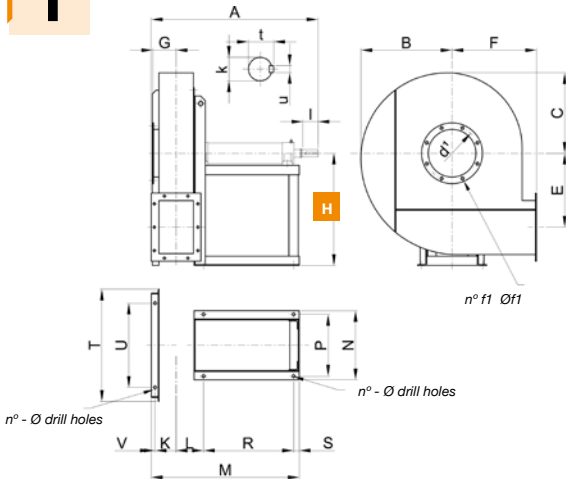
*For "HIGH TEMP." constructions, elevations "A-M-R" + 50 mm.
(kg) Weight of fan with motor.
WD² = Moment of inertia of the impeller, expressed in Kg x m²

LARGE SERIES

Dimensions mm

CMTC-X 630...855

SYSTEM
1



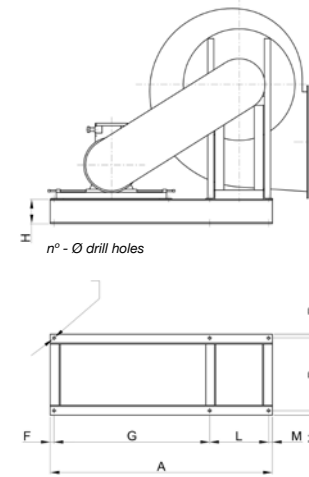
MOD.	A*	B	C	E	F	G	HO-1-2-3	H4-5	H6-7
CMTC 630	890	490	435	395	450	125	600	450	600
CMTC 670	1010	535	480	425	475	145	630	475	630
CMTC 700	1035	575	515	445	500	160	710	500	710
CMTC 750	1060	640	575	494	560	172	750	560	750
CMTC 800	1160	655	580	500	560	195	800	560	800
CMTC 835	1195	730	640	560	630	210	900	630	900
CMTC 855	1195	730	640	560	630	210	900	630	900

MOD.	L	K	M*	N	P	R*	S	T	U	V	n°	Φ	k
CMTC 630	146	-	560	370	330	480	30	-	-	-	4	14	38 k6
CMTC 670	157	-	605	456	395	515	40	-	-	-	4	19	48 k6
CMTC 700	169	-	605	456	395	515	40	-	-	-	4	19	48 k6
CMTC 750	183	-	605	456	395	515	40	-	-	-	4	19	48 k6
CMTC 800	198	183	1006	496	435	565	40	820	660	20	6	19	55 m6
CMTC 835	215	201	1041	496	435	565	40	900	740	20	6	19	55 m6
CMTC 855	215	201	1041	496	435	565	40	900	740	20	6	19	55 m6

MOD.	l	t	u	d ¹	n°f ¹	Øf1	kg	WD ²
CMTC 630	80	41	10	292	8	11	125	4.1
CMTC 670	110	51.5	14	332	8	11	165	5.3
CMTC 700	110	51.5	14	366	8	11	170	6.1
CMTC 750	110	51.5	14	405	8	11	215	8.9
CMTC 800	110	59	16	448	12	11	245	12
CMTC 835	110	59	16	497	12	11	285	14
CMTC 855	110	59	16	497	12	11	290	15.3

*For "HIGH TEMP." constructions, elevations "A-M-R" + 50 mm.
kg = Weight of fan without motor.
WD² = Moment of inertia of the impeller, expressed in Kg x m²

CMTC-X 630...750

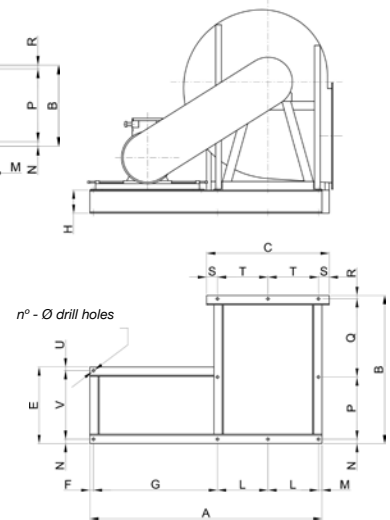


MOD.	A	B*	C	E	H	F	G	L	M	N
CMTC 630	1120	540	-	-	160	25	740	330	25	30
CMTC 670	1405	575	-	-	180	30	950	395	30	30
CMTC 700	1405	575	-	-	180	30	950	395	30	30
CMTC 750	1405	575	-	-	180	30	950	395	30	30
CMTC 800	1445	995	820	625	180	30	950	435	30	30
CMTC 835	1665	1035	900	625	180	30	1170	435	30	30
CMTC 855	1665	1035	900	625	180	30	1170	435	30	30

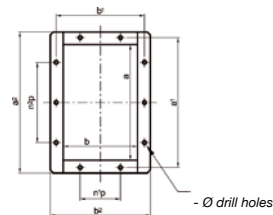
MOD.	P*	Q	R	S	T	U	V	n°	Φ	Kg
CMTC 630	480	-	30	-	-	-	-	6	14	75
CMTC 670	515	-	30	-	-	-	-	6	19	105
CMTC 700	515	-	30	-	-	-	-	6	19	105
CMTC 750	515	-	30	-	-	-	-	6	19	105
CMTC 800	565	381	19	80	660	30	565	8	19	145
CMTC 835	565	416	24	80	740	30	565	8	19	155
CMTC 855	565	416	24	80	740	30	565	8	19	155

(*) For "HIGH TEMP." constructions, elevations "B-P" + 50 mm.
Kg = Weight of the support base

CMTC-X 800...855



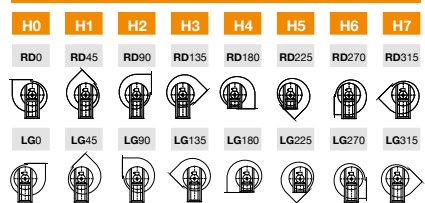
OUTLET NOZZLE



OUTLET NOZZLE

MOD.	a	b	a'	b'	a''	b''	n°p	n°p'	n°f	Φf
CMTC 630	284	185	332	232	364	265	1-125	2-125	10	12
CMTC 670	320	207	366	251	400	287	1-125	2-125	10	12
CMTC 700	360	231	405	274	440	311	1-125	2-125	10	12
CMTC 750	405	257	448	298	485	337	1-125	3-125	12	12
CMTC 800	457	287	497	327	537	367	2-125	3-125	14	12
CMTC 835	507	322	551	366	587	402	2-125	3-125	14	12
CMTC 855	507	322	551	366	587	402	2-125	3-125	14	12

ORIENTATIONS



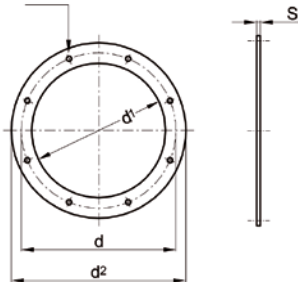
H *The measurement of height H (distance between the ground and the axis) varies depending on the orientations

LARGE SERIES

Accessories

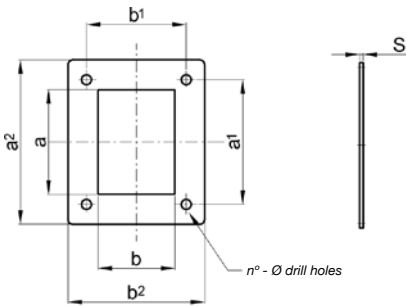
Inlet counter flange

n° - Ø drill holes



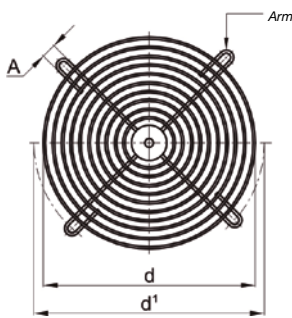
MOD.	d	d'	d²	n°	Φ	s	kg
CMTC 630	292	255	325	8	11	4	1
CMTC 670	332	286	366	8	11	5	1.6
CMTC 700	366	321	401	8	11	5	1.8
CMTC 750	405	361	441	8	11	5	2
CMTC 800	448	406	486	12	11	5	2.2
CMTC 835	497	456	536	12	11	5	2.5
CMTC 855	497	456	536	12	11	5	2.5

Impulsion counter-flange



MOD.	a	b	a'	b'	a²	b²	n°p	n²p	n°	Φ	s	kg
CMTC 630	284	185	332	232	364	265	1-125	2-125	10	12	5	1.7
CMTC 670	320	207	366	251	400	287	1-125	2-125	10	12	5	1.8
CMTC 700	360	231	405	274	440	311	1-125	2-125	10	12	5	2
CMTC 750	405	257	448	298	485	337	1-125	3-125	12	12	5	2.2
CMTC 800	457	287	497	327	537	367	2-125	3-125	14	12	5	2.5
CMTC 835	507	322	551	366	587	402	2-125	3-125	14	12	5	2.8
CMTC 855	507	322	551	366	587	402	2-125	3-125	14	12	5	2.8

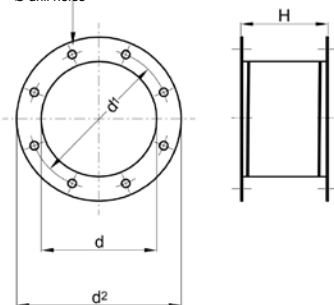
Inlet protection mesh



MOD.	d	d'	A	n°	kg
CMTC 630	255	292	11	4	0.3
CMTC 670	286	332	11	4	0.35
CMTC 700	321	366	11	4	0.4
CMTC 750	361	405	11	8	0.7
CMTC 800	406	448	11	8	0.8
CMTC 835	456	497	11	8	0.9
CMTC 855	456	497	11	8	0.9

Inlet anti-vibration seal

n° - Ø drill holes

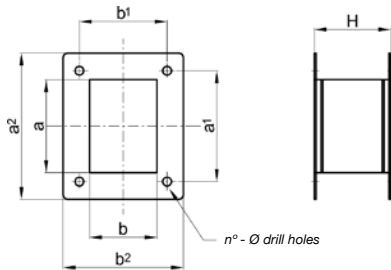


MOD.	d	d'	d²	n°	Φ	H	kg
CMTC 630	292	255	325	8	11	200	2.2
CMTC 670	332	286	366	8	11	200	3.4
CMTC 700	366	321	401	8	11	200	3.8
CMTC 750	405	361	441	8	11	200	4.2
CMTC 800	448	406	486	12	11	200	4.6
CMTC 835	497	456	536	12	11	200	5.2
CMTC 855	497	456	536	12	11	200	5.2

LARGE SERIES

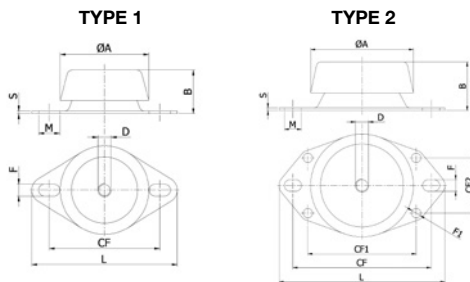
Accessories

Impulsion anti-vibration seal



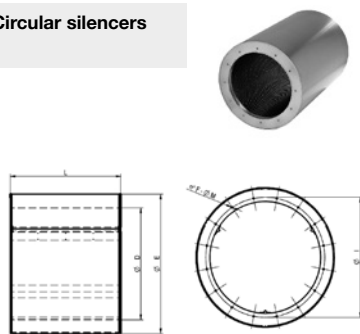
MOD.	a	b	a ¹	b ¹	a ²	b ²	n ^o p	n ^o p	n ^o	Φ	H	kg
CMTC 630	284	185	332	232	364	265	1-125	2-125	10	12	200	3.7
CMTC 670	320	207	366	251	400	287	1-125	2-125	10	12	200	3.9
CMTC 700	360	231	405	274	440	311	1-125	2-125	10	12	200	4.3
CMTC 750	405	257	448	298	485	337	1-125	3-125	12	12	200	4.7
CMTC 800	457	287	497	327	537	367	2-125	3-125	14	12	200	5.3
CMTC 835	507	322	551	366	587	402	2-125	3-125	14	12	200	5.9
CMTC 855	507	322	551	366	587	402	2-125	3-125	14	12	200	5.9

Shock absorbers



MOD.	SHOCK-ABSORBERS MODEL	TYPE	øA	B	D	CF	CF1	CF2	F	øF1	L	M	S
CMTC 630	CF 623110	1	67	33...34	10	76.5	-	-	9	-	90.5	16	2
CMTC 670	CF 623110	1	67	33...34	10	76.5	-	-	9	-	90.5	16	2
CMTC 700	CF 623110	1	67	33...34	10	76.5	-	-	9	-	90.5	16	2
CMTC 750	CF 924512	2	92	44...45	12	120	98	50	10.5	8.5	130	15.5	2.5
CMTC 800	CF 924512	2	92	44...45	12	120	98	50	10.5	8.5	130	15.5	2.5
CMTC 835	CF 924512	2	92	44...45	12	120	98	50	10.5	8.5	130	15.5	2.5
CMTC 855	CF 924512	2	92	44...45	12	120	98	50	10.5	8.5	130	15.5	2.5

Circular silencers



Silencers are used to lower the noise level at air conditioning or ventilation installation manufactured using galvanised steel.

• Upon request: other constructions using different materials.

øD	øE	L	øI	F	øM	øD	øE	L	øI	F	øM
315	515	ØD,1.5ØD, 2ØD	355	8	M8	900	1100	ØD,1.5ØD, 2ØD	970	16	M10
355	555	ØD,1.5ØD, 2ØD	395	8	M8	1000	1200	ØD,1.5ØD, 2ØD	1070	16	M10
400	600	ØD,1.5ØD, 2ØD	450	8	M8	1120	1320	ØD,1.5ØD, 2ØD	1190	20	M10
450	650	ØD,1.5ØD, 2ØD	500	8	M8	1250	1450	ØD,1.5ØD, 2ØD	1320	20	M10
500	700	ØD,1.5ØD, 2ØD	560	12	M8	1400	1600	ØD,1.5ØD, 2ØD	1470	20	M10
560	760	ØD,1.5ØD, 2ØD	620	12	M8	1500	1700	ØD,1.5ØD, 2ØD	1570	20	M10
630	830	ØD,1.5ØD, 2ØD	690	12	M8	1600	1800	ØD,1.5ØD, 2ØD	1680	24	M14
710	910	ØD,1.5ØD, 2ØD	770	16	M8	1700	1900	ØD,1.5ØD, 2ØD	1780	24	M14
800	1000	ØD,1.5ØD, 2ØD	860	16	M8	1800	2000	ØD,1.5ØD, 2ØD	1880	24	M14

Fans for ovens

FANS FOR BREAD AND PASTRY OVENS



310

SDECB/M

Centrifugal fans especially designed for extracting hot air at a max. temperature of 80 °C and water vapour from extract hoods with a vertical air outlet.

Especially designed for bread and pastry ovens as well as industrial ovens.



312

SDECB/O

Centrifugal fans built in INOX, specially designed for the extraction of hot air max. 80 °C and water vapors in extraction hoods, with horizontal air outlet.

Specially designed for bakery and pastry ovens and surface treatment ovens.



313

SDBP/F

Centrifugal fans built in INOX, specially designed for the extraction of hot air max. 80 °C and water vapors in extraction hoods, with horizontal air outlet.

Specially designed for bakery and pastry ovens and surface treatment ovens.



314

SDBP/M INOX

Centrifugal fans built in INOX, specially designed for the extraction of hot air max. 80 °C and water vapors in extraction hoods, with vertical air outlet.

Specially designed for bakery and pastry ovens and surface treatment ovens.



315

SDECB/MGC

Centrifugal fans especially designed for recirculating hot air in ovens at a max. temperature of 300°C.

Especially designed for bread and pastry ovens as well as industrial ovens.

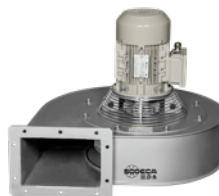


316

SDECB/Z

Centrifugal fans especially designed for extracting hot air at a max. temperature of 300 °C from extract hoods with a vertical air outlet.

Especially designed for bread and pastry ovens as well as industrial ovens.



318

SDLM/F

Centrifugal fans especially designed for extracting hot air from ovens at a max. temperature of 300°C and a horizontal air outlet.

Especially designed for bread and pastry ovens as well as industrial ovens.



FANS FOR INDUSTRIAL OVENS



320

CMRH

Belt driven fans, equipped with electric motor, set of pulleys, belts and protectors standardized according to ISO-13857 standard and 150 mm mineral fiber insulated box, for horizontal work.



325

CMSH

Medium pressure centrifugal fans, equipped with a backward curved impeller and a heat insulated box with mineral fiber.



329

CMPH

Centrifugal medium pressure fans, equipped with a forward curved impeller and a heat insulated box with mineral fiber.



332

HPX

Tubular axial fans with external motors.



335

HBA

Forked tubular axial fans with motors outside the airflow.

SDECB/M

Centrifugal fans especially designed for extracting hot air at a max. temperature of 80 °C and water vapour from extract hoods with a vertical air outlet

Especially designed for bread and pastry ovens as well as industrial ovens



Fan:

- Sheet steel casing.
- Forward curved impeller in galvanized sheet steel.
- Directly coupled motor with B-5 flange.

Motor:

- Motors with IE3 efficiency for powers equal to or greater than 0.75kW, except single-phase, 2-speed and 8-pole.
- IP55 protection.
- Three-phase 230/400 V 50 Hz (up to 4 kW) and 400/690 V 50 Hz (powers greater than 4 kW).
- Maximum temperature of air to be carried: -25 °C +80 °C.

Finishing:

- Anticorrosive with temperature resistant anticaloric paint, aluminum color.

On request:

- Special windings for different voltages.
- Stainless steel fan.



On request: stainless steel fan

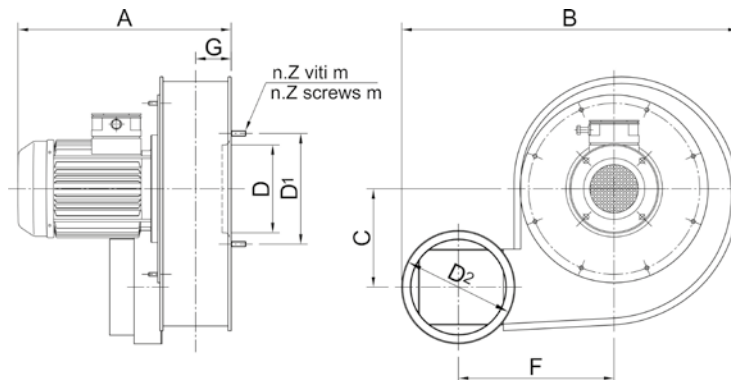
Characteristics

MOD.	kW	r.p.m	dB/A	CAPACITY (m ³ /s)												
				0.017	0.03	0.06	0.07	0.08	0.1	0.12	0.13	0.16	0.17	0.18	0.2	0.23
				TOTAL PRESSURE (mmH ₂ O)												
SDECB/M-160-2T-0.5	0.37	2800	60					35	36	37	38	39	40	40	37	35
SDECB/M-160-4T-0.33	0.25	1350	49	9	9	10	10	9	8	7						
SDECB/M-230-4T-0.33	0.25	1350	58					28	29	29	30	31	30	29	28	27
SDECB/M-230-6T-0.33	0.25	890	49				14	15	15	15	16	15	15	14	13	

MOD.	kW	r.p.m	dB/A	CAPACITY (m ³ /s)												
				0.18	0.2	0.23	0.27	0.3	0.33	0.38	0.42	0.47	0.53	0.58	0.67	
				TOTAL PRESSURE (mmH ₂ O)												
SDECB/M-250-4T-0.5	0.37	1350	60			40	42	43	44	45	45	40	35			
SDECB/M-300-4T-0.5	0.37	1350	65					47	49	50	50	51	50	48	43	
SDECB/M-300-6T-0.33	0.25	890	49	20	20	22	23	24	24	23	22					

Flow margin ±5%
Noise level margin +3...5 db

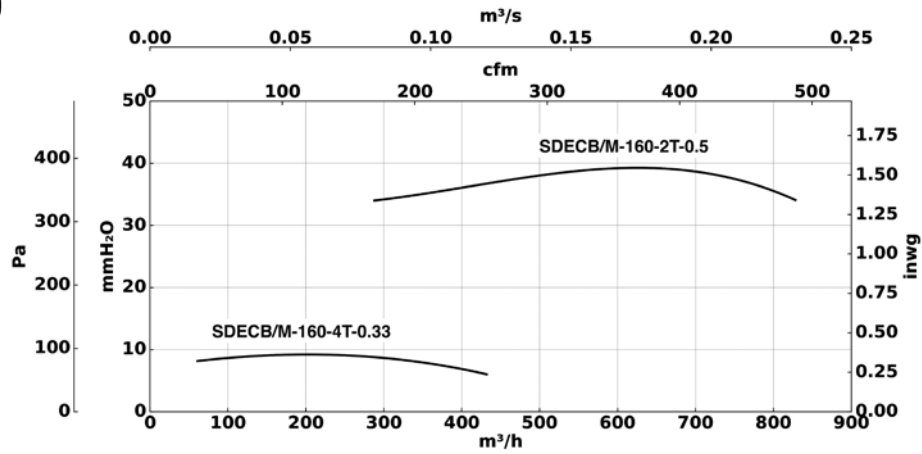
Dimensions mm



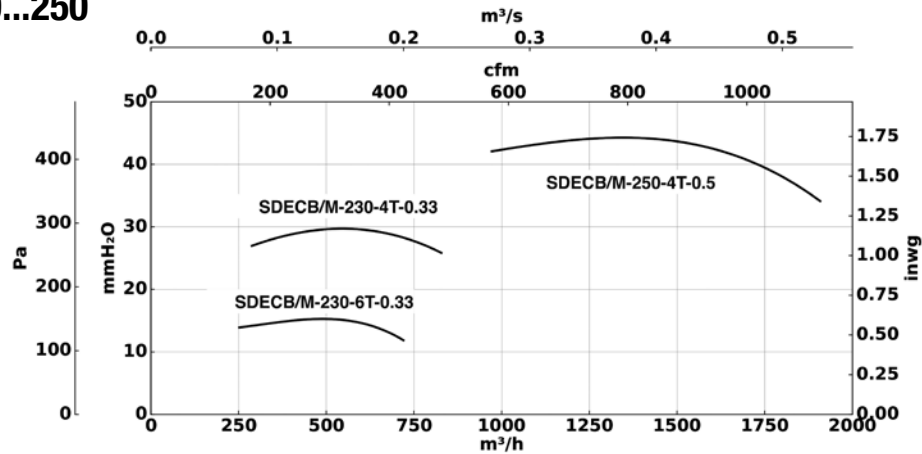
MOD.	FRAME	kW	r.p.m	A	B	C	F	G	D	D1	m	n.Z	D2	Kg
SDECB/M-160-2T-0.5	71A2	0.37	2800	330	400	120	173	59	128	220	M5	6	137	10
SDECB/M-160-4T-0.33	71A4	0.25	1350	330	400	120	173	59	128	220	M5	6	137	10
SDECB/M-230	71A4	0.25	1350	295	500	150	227	53	130	165	M8	6	160	15
SDECB/M-250-4T-0.5	71B4	0.37	1350	400	540	170	238	60	145	195	M8	6	176	18
SDECB/M-300-4T-0.5	71B4	0.37	1350	435	665	200	285	82	192	250	M8	6	250	20
SDECB/M-300-6T-0.33	71B6	0.25	890	435	665	200	285	82	192	250	M8	6	250	20

Characteristic curves

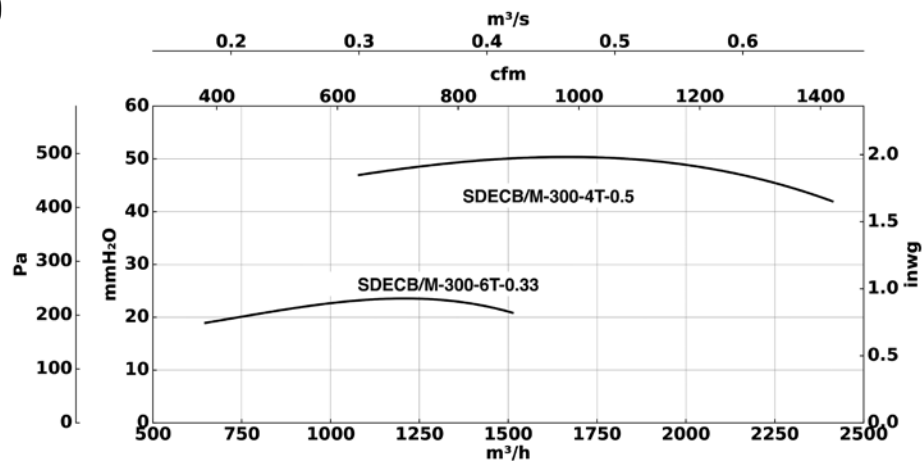
SDECB/M 160



SDECB/M 230...250



SDECB/M 300



Total pressure

Flow margin $\pm 5\%$

Noise level margin $+3...5$ db

Margin of kW absorbed $\pm 3\%$

SDECB/O

Centrifugal fans built in INOX, specially designed for the extraction of hot air max. 80 °C and water vapors in extraction hoods, with horizontal air outlet

Specially designed for bakery and pastry ovens and surface treatment ovens



- Fan:
- Sheet steel casing.
 - Forward curved impeller in sheet steel.
 - Directly coupled motor with B-5 flange.

- Motor:
- Motors with IE3 efficiency for powers equal to or greater than 0.75kW, except single-phase, 2-speed and 8-pole.
 - IP55 protection.
 - Three-phase 230/400 V 50 Hz (up to 4 kW) and 400/690 V 50 Hz (powers greater than 4 kW).
 - Maximum temperature of air to be carried: -25 °C +80 °C.

- Finishing:
- Anticorrosive with temperature resistant antialcaldic paint, aluminum color.

- On request:
- Special windings for different voltages.
 - INOX 304 stainless steel fan.



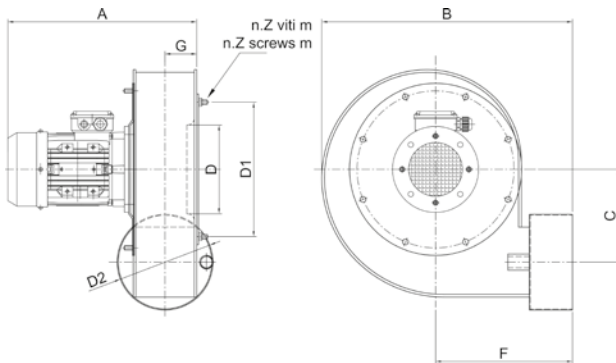
Upon request: fan support flange

Characteristics

MOD.	kW	r.p.m	dB/A	CAPACITY (m³/s)										
				0.23	0.27	0.3	0.33	0.38	0.42	0.47	0.53	0.58	0.67	
				TOTAL PRESSURE (mm H ₂ O)										
SDECB/O-250-4T-0.5	0.37	1350	60	40	42	43	44	45	45	40	35			
SDECB/O-300-4T-0.5	0.37	1350	65			47	49	50	50	51	50	48	43	

Flow margin +5%
Noise level margin +3...5 db

Dimensions mm

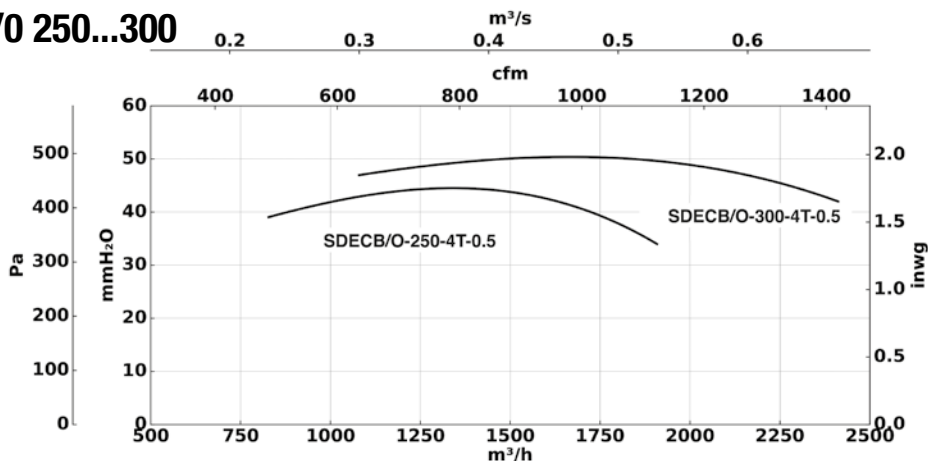


MOD.	kW	r.p.m	A	B	C	F	G
SDECB/O-250-4T-0.5	0.37	1350	352	466	173	255	60
SDECB/O-300-4T-0.5	0.37	1350	402	575	202	322	83

MOD.	D	D1	m	n.Z	D2	Kg
SDECB/O-250-4T-0.5	165	250	M8	6	178	16
SDECB/O-300-4T-0.5	190	250	M8	6	241	18

Characteristic curves

SDECB/O 250...300



Total pressure

Flow margin ± 5 %

Noise level margin +3...5 db

Margen kW absorbidos ± 3%

SDBP/F

Centrifugal fans built in INOX, specially designed for the extraction of hot air max. 80 °C and water vapors in extraction hoods, with horizontal air outlet



Specially designed for bakery and pastry ovens and surface treatment ovens



Fan:

- Stainless steel sheet casing.
- Forward curved impeller in stainless steel sheet.
- Directly coupled motor with B-5 flange.

Motor:

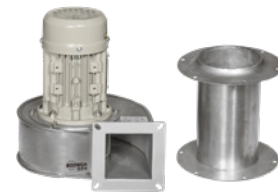
- Motors with IE3 efficiency for powers equal to or greater than 0.75kW, except single-phase, 2-speed and 8-pole.
- IP55 protection.
- Three-phase 230/400 V 50 Hz (up to 4 kW) and 400/690 V 50 Hz (powers greater than 4 kW).
- Maximum temperature of air to be carried: -25 °C +80 °C.

Finishing:

- Made of stainless steel sheet.

On request:

- Special windings for different voltages.
- Painted steel fan.



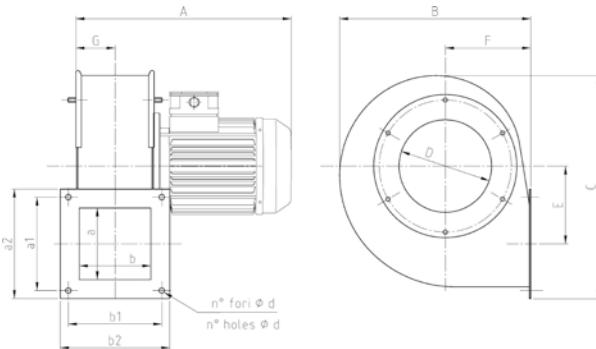
Upon request fan support flange

Characteristics

MOD.	kW	r.p.m	dB/A	CAPACITY (m ³ /s)										
				0.008	0.017	0.03	0.06	0.07	0.08	0.1	0.12	0.13	0.16	0.17
				TOTAL PRESSURE (mm H ₂ O)										
SDBP/F-100-2T-0.25	0.18	2680	58			30	32	33	34	35	36	36	30	24
SDBP/F-100-4T-0.25	0.18	1340	48	6	6	7	7	8	7					

Flow margin ±5%
Noise level margin +3...5 db

Dimensions mm



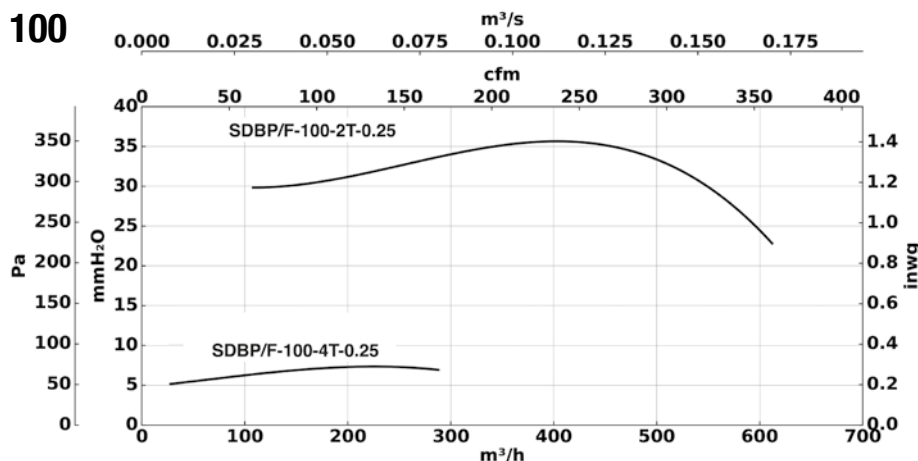
MOD.	kW	r.p.m	A	B	C	E	F
SDBP/F-100-2T-0.25	0.18	2680	260	220	251	92	102
SDBP/F-100-4T-0.25	0.18	1340	260	220	251	92	102

MOD.	G	D	a x b	a1	b1	a2	b2
SDBP/F-100-2T-0.25	48	155	86 X 86	110	110	130	130
SDBP/F-100-4T-0.25	48	155	86 X 86	110	110	130	130

MOD.	n°	d	Kg
SDBP/F-100-2T-0.25	4	7	6.45
SDBP/F-100-4T-0.25	4	7	6.45

Characteristic curves

SDBP/F 100



Total pressure
Flow margin ± 5 %
Noise level margin +3...5 db
Margin of kW absorbed ± 3%

SDBP/M INOX

Centrifugal fans built in INOX, specially designed for the extraction of hot air max. 80 °C and water vapors in extraction hoods, with vertical air outlet
Specially designed for bakery and pastry ovens and surface treatment ovens



- Fan:**
- Stainless steel sheet casing.
 - Forward curved impeller in stainless steel sheet.
 - Directly coupled motor with B-5 flange.

- Motor:**
- Motors with IE3 efficiency for powers equal to or greater than 0.75kW, except single-phase, 2-speed and 8-pole.
 - IP55 protection.
 - Three-phase 230/400 V 50 Hz (up to 4 kW) and 400/690 V 50 Hz (powers greater than 4 kW).
 - Maximum temperature of air to be carried: -25 °C +80 °C.

- Finishing:**
- Made of stainless steel sheet.

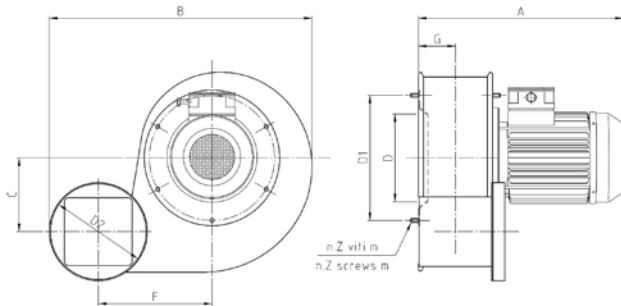
- On request:**
- Special windings for different voltages.
 - Painted steel fan.

Characteristics

MOD.	kW	r.p.m	dB/A	CAPACITY (m³/s)										
				0.008	0.017	0.03	0.06	0.07	0.08	0.1	0.12	0.13	0.16	0.17
				TOTAL PRESSURE (mm H₂O)										
SDBP/M INOX-100-2T-0.25	0.18	2680	58			30	32	33	34	35	36	36	30	24
SDBP/M INOX-100-4T-0.25	0.18	1340	48	6	6	7	7	8	7					

Flow margin ±5%
 Noise level margin +3...5 db

Dimensions mm

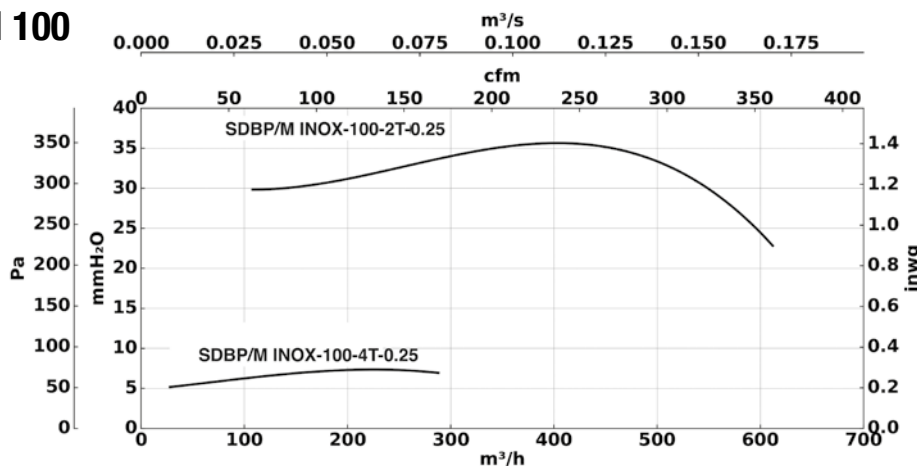


MOD.	kW	r.p.m	A	B	C	F	G
SDBP/M INOX-100-2T-0.25	0.18	2680	255	330	96	142	48
SDBP/M INOX-100-4T-0.25	0.18	1340	255	330	96	142	48

MOD.	D	D1	m	n.Z	D2	Kg
SDBP/M INOX-100-2T-0.25	110	160	M5	6	120	6.75
SDBP/M INOX-100-4T-0.25	110	160	M5	6	120	6.75

Characteristic curves

SDBP/M 100



Total pressure
 Flow margin ± 5 %
 Noise level margin +3...5 db
 Margin of kW absorbed ± 3%

SDECB/MGC

Centrifugal fans especially designed for recirculating hot air in ovens at a max. temperature of 300°C
Especially designed for bread and pastry ovens as well as industrial ovens



Fan:

- Sheet steel casing.
- Forward curved impeller in galvanized sheet steel.
- Directly coupled motor with B-5 flange.
- With one or two cooling disk mounted on the motor shaft to dissipate the heat.

Finishing:

- Anticorrosive with temperature resistant anticaloric paint, aluminum color.

On request:

- Special windings for different voltages.
- Stainless steel fan.

Motor:

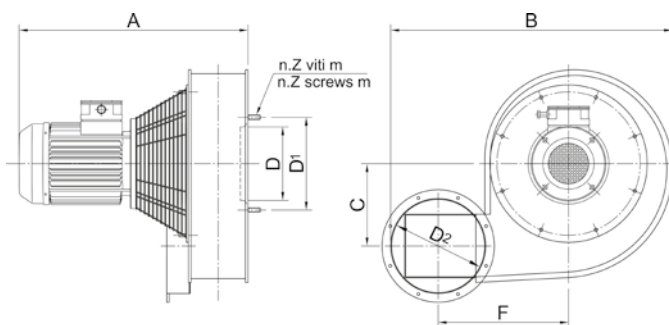
- Motors with IE3 efficiency for powers equal to or greater than 0.75kW, except single-phase, 2-speed and 8-pole.
- IP55 protection.
- Three-phase 230/400 V 50 Hz (up to 4 kW) and 400/690 V 50 Hz (powers greater than 4 kW).
- Maximum temperature of air to be carried: -25 °C +300 °C.

Characteristics

MOD.	kW	r.p.m	dB/A	CAPACITY (m ³ /s)							
				0.3	0.33	0.38	0.42	0.47	0.53	0.58	0.67
SDECB/MGC-300-4T-1	0.75	1350	65	47	49	50	50	51	50	48	43

Flow margin ±5%
Noise level margin +3...5 db

Dimensions mm

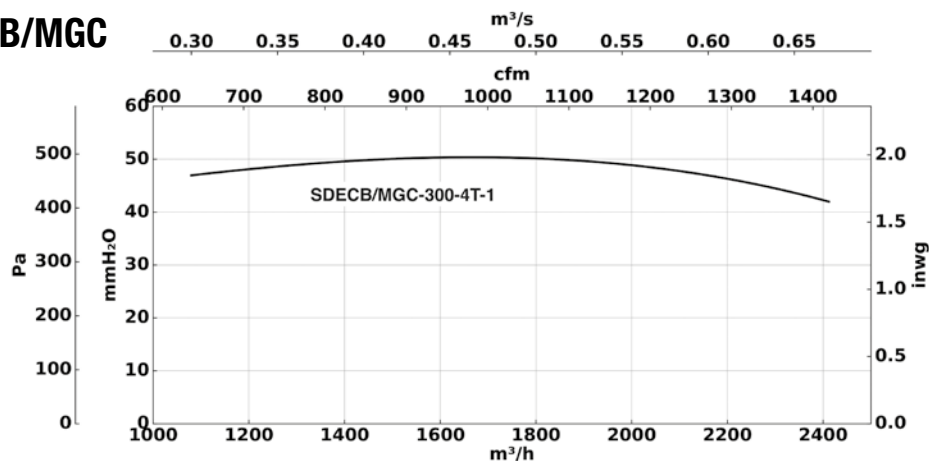


MOD.	kW	r.p.m	A	B	C	F
SDECB/MGC-300-4T-1	0.75	1350	515	665	200	285

MOD.	D	D1	m	n.Z	D2	Kg
SDECB/MGC-300-4T-1	192	250	M8	6	250	35

Characteristic curves

SDECB/MGC



Total pressure

Flow margin ± 5 %
Noise level margin +3...5 db
Margin of kW absorbed ± 3%

SDECB/Z

Centrifugal fans especially designed for extracting hot air at a max. temperature of 300 °C from extract hoods with a vertical air outlet

Especially designed for bread and pastry ovens as well as industrial ovens



- Fan:**
- Stainless steel sheet casing.
 - Forward curved impeller in galvanized sheet steel.
 - Directly coupled motor with B-5 flange.
 - With one or two cooling disk mounted on the motor shaft to dissipate the heat.

- Motor:**
- Motors with IE3 efficiency for powers equal to or greater than 0.75kW, except single-phase, 2-speed and 8-pole.
 - IP55 protection.

- Three-phase 230/400 V 50 Hz (up to 4 kW) and 400/690 V 50 Hz (powers greater than 4 kW).
- Maximum temperature of air to be carried: -25 °C +300 °C.

- Finishing:**
- Anticorrosive with temperature resistant anticaloric paint, aluminum color.

- On request:**
- Special windings for different voltages.
 - Stainless steel fan.

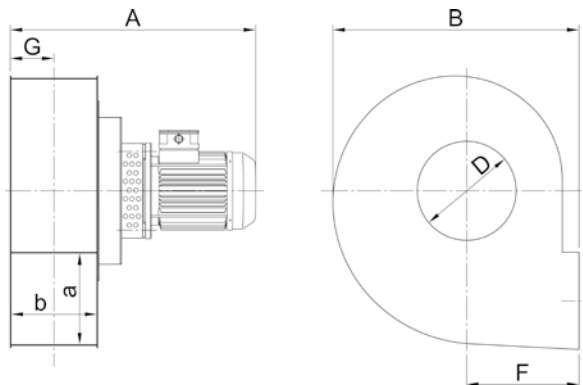
Characteristics

MOD.	kW	r.p.m	dB	CAPACITY (m³/s)														
				0.016	0.03	0.05	0.06	0.08	0.1	0.11	0.13	0.15	0.16	0.18	0.2	0.23	0.26	0.3
TOTAL PRESSURE (mmH ₂ O)																		
SDECB/Z-160-2T-0.75	0.55	2810	75	64	62	60	60	61	62	64	66	67	67	68	68	68	67	63
SDECB/Z-160-4T-0.25	0.18	1340	60	21	19	19	19	20	20	21	21	21	20					

MOD.	kW	r.p.m	dB	CAPACITY (m³/s)																	
				0.23	0.27	0.3	0.33	0.37	0.42	0.47	0.52	0.58	0.67	0.75	0.83	0.93	1.05	1.17	1.33	1.5	1.67
TOTAL PRESSURE (mmH ₂ O)																					
SDECB/Z-260-4T-0.75	0.55	1360	63		42	44	45	45	46	45	42	40									
SDECB/Z-280-4T-0.75	0.55	1360	64		45	46	47	48	46	45	42	40									
SDECB/Z-300-4T-0.75	0.55	1360	65		47	49	50	50	51	50	48	47									
SDECB/Z-330-4T-1.5	1.1	1380	72						65	68	70	71	71	70	69	67	65				
SDECB/Z-380-4T-3	2.2	1410	73											85	86	87	89	90	90	86	80
SDECB/Z-400-4T-4	3	1410	74												90	90	92	95	96	100	95

Flow margin ±5% Noise level margin +3...5 db Characteristics T =15°C and 760 mmHg.

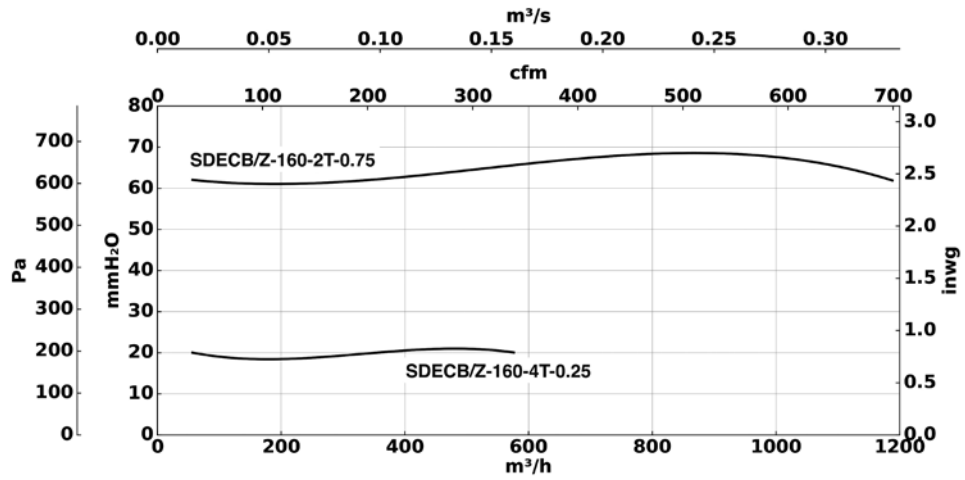
Dimensions mm



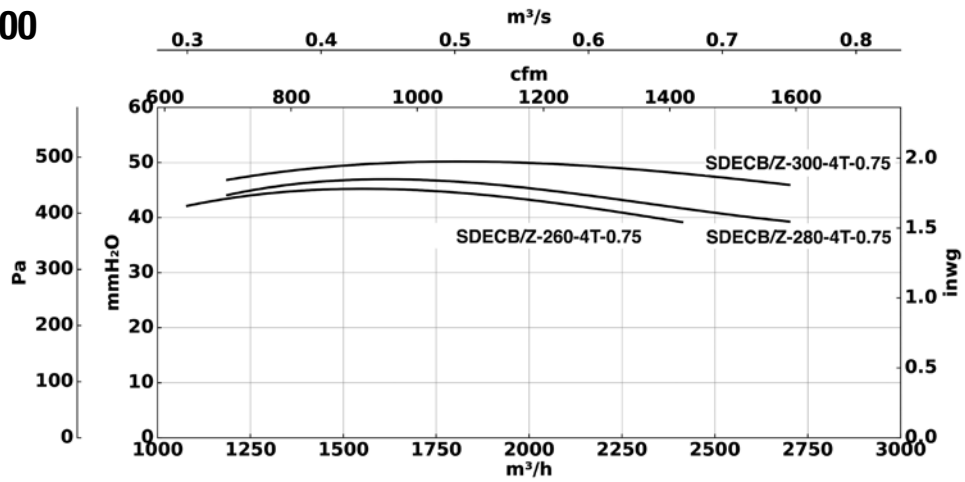
MOD.	kW	r.p.m	A	B	F	G	D	a x b	Kg
SDECB/Z-160-2T-0.75	0.55	2810	411	290	138	57	127	103 x 110	15
SDECB/Z-160-4T-0.25	0.18	1340	411	290	138	57	127	103 x 110	15
SDECB/Z-260-4T-0.75	0.55	1360	470	370	170	71	190	199 x 138	26
SDECB/Z-280-4T-0.75	0.55	1360	470	434	170	72	215	210 x 140	29
SDECB/Z-300-4T-0.75	0.55	1360	515	520	235	92	207	199 x 180	32
SDECB/Z-330-4T-1.5	1.10	1380	530	490	210	92	237	261 x 180	36
SDECB/Z-380-4T-3	2.20	1410	670	610	280	112	270	254 x 220	58
SDECB/Z-400-4T-4	3.00	1410	700	670	300	112	300	280 x 240	73

Characteristic curves

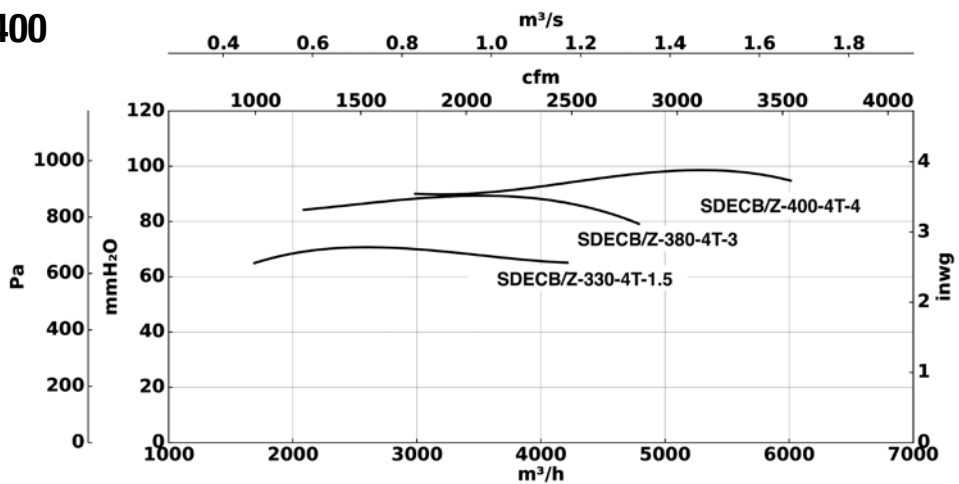
SDECB/Z 160



SDECB/Z 260...300



SDECB/Z 330...400



Total pressure

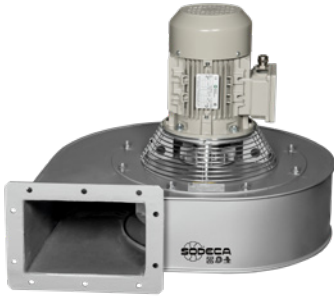
Flow margin ± 5 %
 Noise level margin +3...5 db
 Margin of kW absorbed ± 3%

SDLM/F

Centrifugal fans especially designed for extracting hot air from ovens at a max. temperature of 300°C and a horizontal air outlet



Especially designed for bread and pastry ovens as well as industrial ovens



Fan:

- Sheet steel casing.
- Forward curved impeller in galvanized sheet steel.
- Directly coupled motor with B-5 flange.
- With one or two cooling disk mounted on the motor shaft to dissipate the heat.

- Maximum temperature of air to be carried: -25 °C +300 °C.

Finishing:

- Anticorrosive with temperature resistant anticaloric paint, aluminum color.

On request:

- Special windings for different voltages.
- Stainless steel fan casing.

Motor:

- Motors with IE3 efficiency for powers equal to or greater than 0.75kW, except single-phase, 2-speed and 8-pole.
- IP55 protection.
- Three-phase 230/400 V 50 Hz (up to 4 kW) and 400/690 V 50 Hz (powers greater than 4 kW).

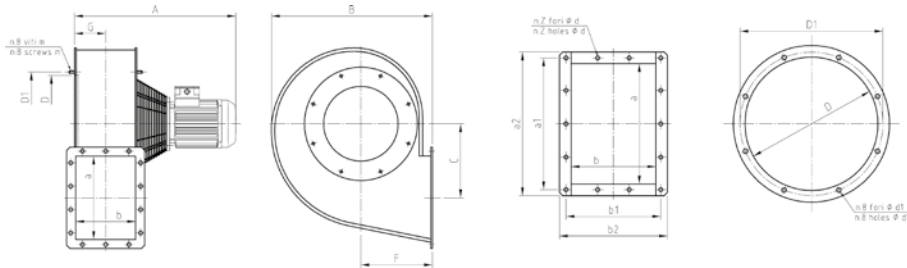
Characteristics

MOD.	kW	r.p.m	dB/A	CAPACITY (m³/s)															
				0.12	0.13	0.15	0.17	0.18	0.2	0.23	0.27	0.3	0.33	0.37	0.42	0.47	0.53	0.6	0.67
				TOTAL PRESSURE (mmH ₂ O)															
SDLM/F-25-4T-0.75	0.55	1360	51	31	32	33	34	35	36	38	40	40	41	40	40	39	34		
SDLM/F-28-4T-1	0.75	1360	56						38	40	42	44	45	47	48	50	52	52	50
SDLM/F-29-4T-1.5	1.1	1380	56							37	39	40	42	44	45	47	48	50	
SDLM/F-33-4T-1.5	1.1	1380	56					60	61	62	62	63	64	65	68	70	72	75	
SDLM/F-36-4T-3	2.2	1410	61								71	71	72	74	75	75	76	77	
SDLM/F-39-4T-3	2.2	1410	73									84	85	86	87	89	92	95	

MOD.	kW	r.p.m	dB/A	CAPACITY (m³/s)															
				0.76	0.83	0.92	1	1.17	1.33	1.5	1.67	1.83	2	2.33					
				TOTAL PRESSURE (mmH ₂ O)															
SDLM/F-28-4T-1	0.75	1360	56	45	40														
SDLM/F-29-4T-1.5	1.1	1380	56	52	50	47	40												
SDLM/F-33-4T-1.5	1.1	1380	56	76	75	73	70	60											
SDLM/F-36-4T-3	2.2	1410	61	81	82	85	89	89	90	87	81	72	65						
SDLM/F-39-4T-3	2.2	1410	73	97	100	102	105	113	115	118	119	118	118	113					

Flow margin ±5%
Noise level margin +3...5 db

Dimensions mm



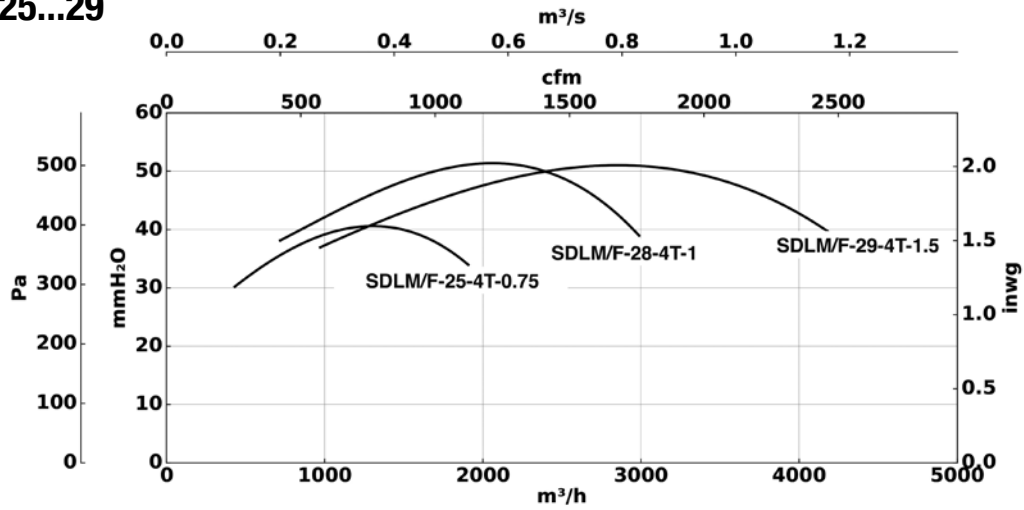
MOD.	kW	r.p.m	A	B	C	F	G	D	D1	m	a x b	Kg
SDLM/F-25-4T-0.75	0.55	1360	520	430	175	190	82	260	280	M6	225 x 160	28
SDLM/F-28-4T-1	0.75	1360	545	485	222	215	94	290	310	M8	250 x 180	30
SDLM/F-29-4T-1.5	1.1	1380	560	485	222	215	94	290	310	M8	250 x 180	35
SDLM/F-33-4T-1.5	1.1	1380	580	570	255	250	104	350	370	M8	296 x 200	50
SDLM/F-36-4T-3	2.2	1410	635	570	255	250	104	380	405	M8	296 x 200	60
SDLM/F-39-4T-3	2.2	1410	635	680	308	300	129	400	430	M8	356 x 250	90

OUTLET NOZZLE

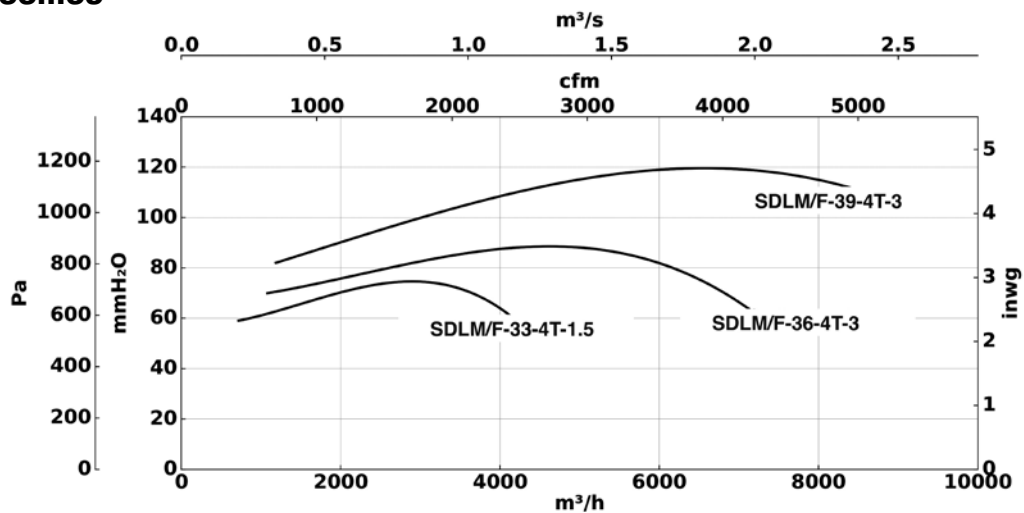
MOD.	a x b	a1	b1	a2	b2	Z	d	d1
SDLM/F-25-4T-0.75	226 x 161	251	186	276	211	10	12	8
SDLM/F-28-4T-1	254 x 185	280	210	304	235	14	12	10
SDLM/F-29-4T-1.5	254 x 185	280	210	304	235	14	12	10
SDLM/F-33-4T-1.5	299 x 205	325	230	349	255	14	12	10
SDLM/F-36-4T-3	299 x 205	325	230	349	255	14	12	10
SDLM/F-39-4T-3	361 x 255	395	285	431	325	14	12	10

Characteristic curves

SDLM/F 25...29



SDLM/F 33...39



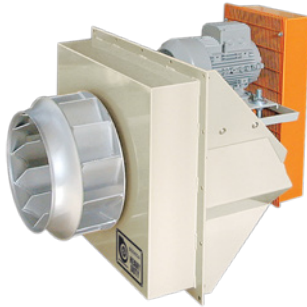
Total pressure

Flow margin ± 5 %
 Noise level margin +3...5 db
 Margin of kW absorbed ± 3%

CMRH



Belt driven fans, equipped with electric motor, set of pulleys, belts and protectors standardized according to ISO-13857 standard and 150 mm mineral fiber insulated box, for horizontal work



Fan:

- Structure in thick sheet steel.
- Backward curved impeller in highly robust sheet steel.
- Transmission group with cast iron bearings and support.

Motor:

- Motors with IE3 efficiency for powers equal to or greater than 0.75kW, except single-phase, 2-speed and 8-pole.
- Class F motors with ball bearings and IP55 protection.
- Three-phase 230/400 V 50 Hz (up to 4 kW) and 400/690 V 50 Hz (powers greater than 4 kW).
- Maximum temperature of air to be carried: -20 °C +300 °C.

Finishing:

- Treatment with anticorrosive paint.

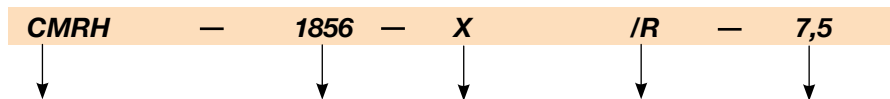
On request:

- Special windings for different voltages.
- Refractory steel fan for temperatures up to 400 °C.
- Execution for vertical work.



External greasers for ease of maintenance

Order code



CMRH: Belt driven fans, equipped with electric motor, set of pulleys, belts and protectors standardized according to ISO-13857 standard and 150 mm mineral fiber insulated box, for horizontal work

Impeller size

Belt-driven

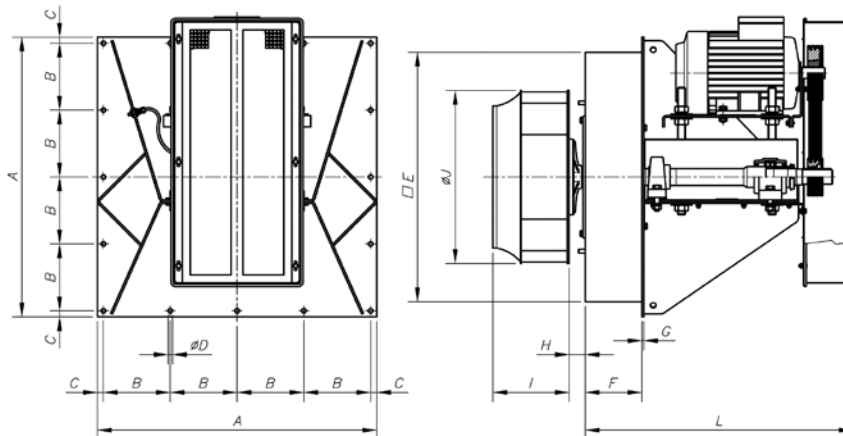
Fitted with cooling impeller

Motor power (HP)

Technical characteristics

Model	Speed (r/min)	Maximum admissible current (A)			Installed power (kW)	Maximum flow rate (m³/h)	Sound pressure level dB(A)	Approx. weight (Kg)
		230V	400V	690V				
CMRH-1445-X/R-3 IE3	1700	7.93	4.56		2.20	9620	79	204
CMRH-1445-X/R-4 IE3	1910	10.70	6.15		3.00	10810	81	212
CMRH-1445-X/R-5.5 IE3	2120	13.90	8.00		4.00	12000	83	228
CMRH-1650-X/R-4 IE3	1530	10.70	6.15		3.00	9910	80	217
CMRH-1650-X/R-5.5 IE3	1720	13.90	8.00		4.00	11140	82	233
CMRH-1650-X/R-7.5 IE3	1910		10.30	5.97	5.50	12370	84	273
CMRH-1856-X/R-5.5 IE3	1365	13.90	8.00		4.00	14210	79	243
CMRH-1856-X/R-7.5 IE3	1535		10.30	5.97	5.50	15980	81	283
CMRH-1856-X/R-10 IE3	1705		13.90	8.06	7.50	17780	83	273
CMRH-2063-X/R-7.5 IE3	1365		10.30	5.97	5.50	22860	82	288
CMRH-2063-X/R-10 IE3	1515		13.90	8.06	7.50	25370	84	278
CMRH-2063-X/R-15 IE3	1700		20.90	12.10	11.00	28470	86	305
CMRH-2271-X/R-15 IE3	1370		20.90	12.10	11.00	32300	87	350
CMRH-2271-X/R-20 IE3	1540		27.90	16.20	15.00	36300	90	375
CMRH-2380-X/R-25 IE3	1280		35.10	20.30	18.50	43885	83	405
CMRH-2380-X/R-30 IE3	1365		41.00	23.80	22.00	46800	85	422

Dimensions mm

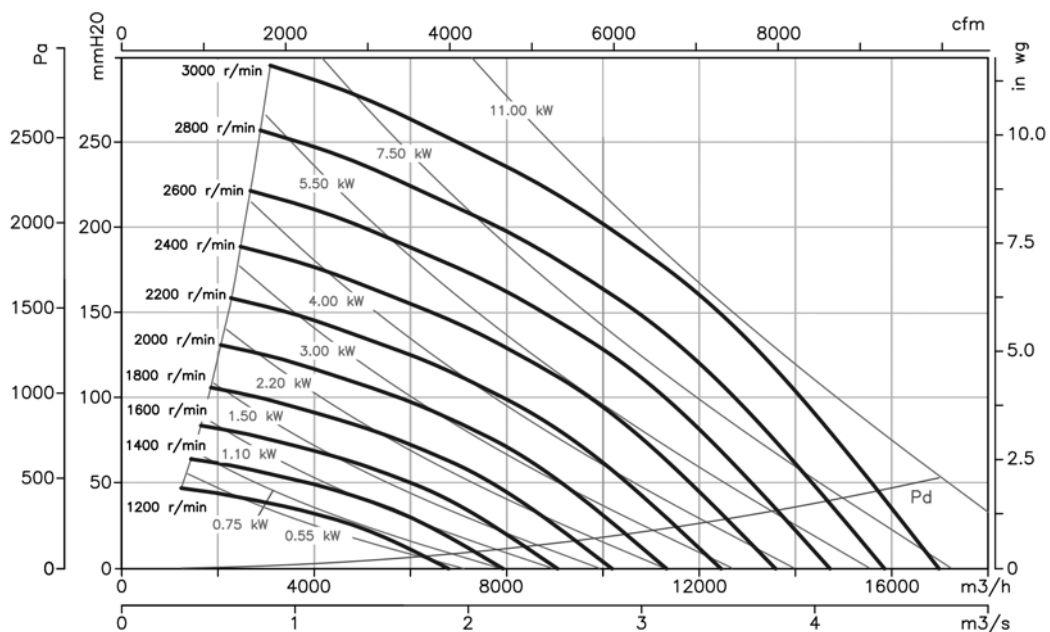


	A	B	C	øD	E	F	G	H	I	øJ	L
CMRH-1445-X/R-3	740	177	16	12	660	150	5	43	202	458	710
CMRH-1445-X/R-4	740	177	16	12	660	150	5	43	202	458	710
CMRH-1445-X/R-5'5	740	177	16	12	660	150	5	43	202	458	710
CMRH-1650-X/R-4	740	177	16	12	660	150	5	43	224	508	710
CMRH-1650-X/R-5'5	740	177	16	12	660	150	5	43	224	508	710
CMRH-1650-X/R-7'5	740	177	16	12	660	150	5	43	224	508	710
CMRH-1856-X/R-4	800	192	16	12	720	150	5	43	245.5	573	816
CMRH-1856-X/R-5'5	800	192	16	12	720	150	5	43	245.5	573	816
CMRH-1856-X/R-7'5	800	192	16	12	720	150	5	43	245.5	573	816
CMRH-2063-X/R-7'5	800	192	16	12	720	150	5	43	274	644	816
CMRH-2063-X/R-10	800	192	16	12	720	150	5	43	274	644	816
CMRH-2063-X/R-15	800	192	16	12	720	150	5	43	274	644	816
CMRH-2271-X/R-15	970	233	20	14	870	150	5	43	295	719	817
CMRH-2271-X/R-20	970	233	20	14	870	150	5	43	295	719	817
CMRH-2380-X/R-25	970	232.5	20	14	870	150	5	53.5	400	810	902
CMRH-2380-X/R-30	970	232.5	20	14	870	150	5	53.5	400	810	902

Characteristic curves

Q= Flow rate in m³/h, m³/h and cfm Pe= Static pressure in mm H₂O, Pa and inwg

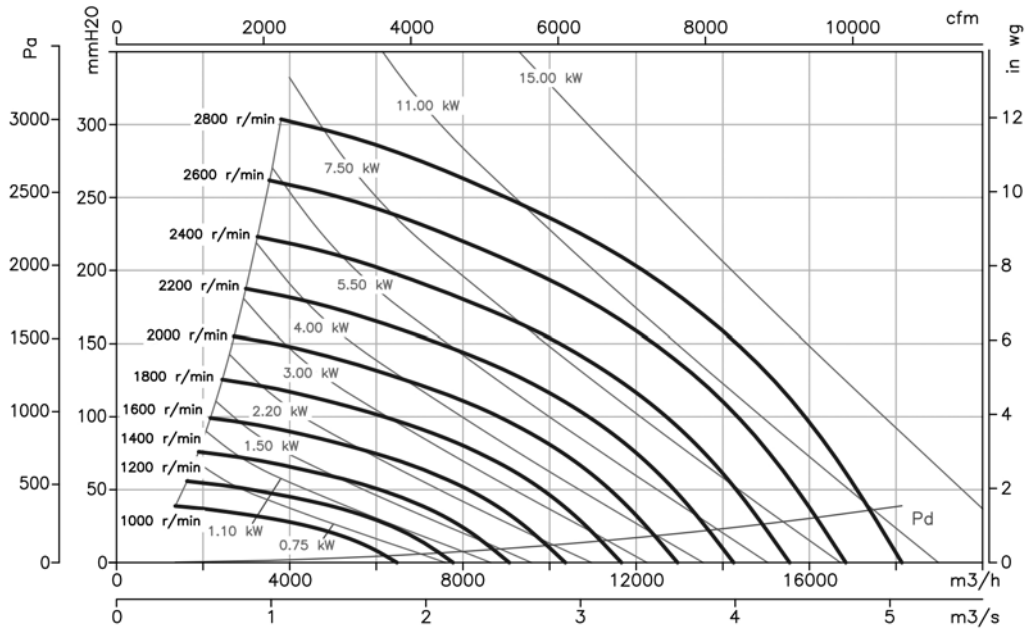
CMRH 1445



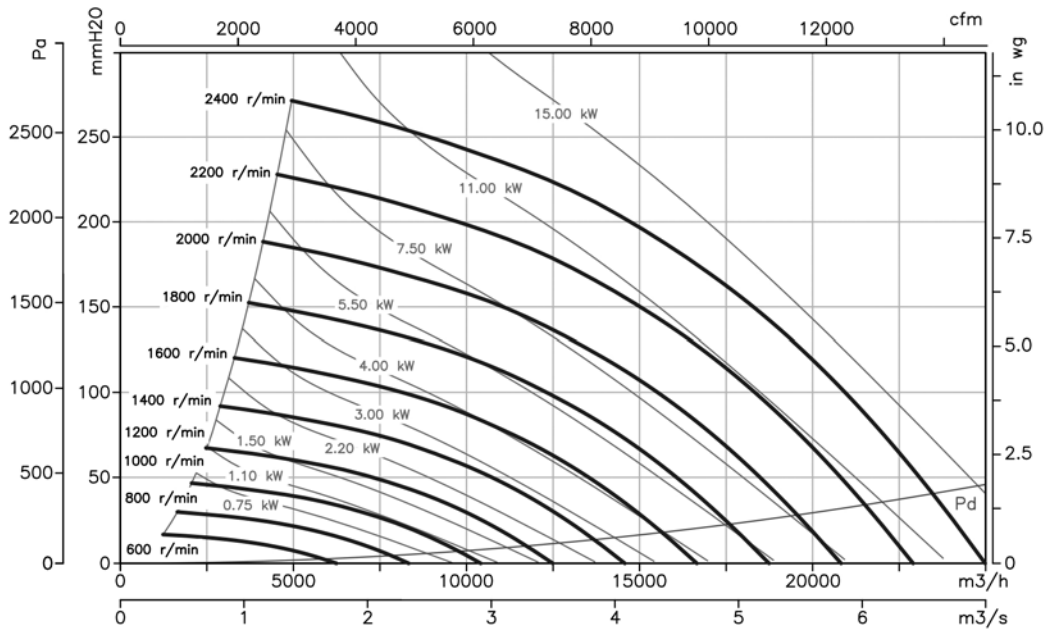
Characteristic curves

Q= Flow rate in m³/h, m³/h and cfm Pe= Static pressure in mm H₂O, Pa and inwg

CMRH 1650



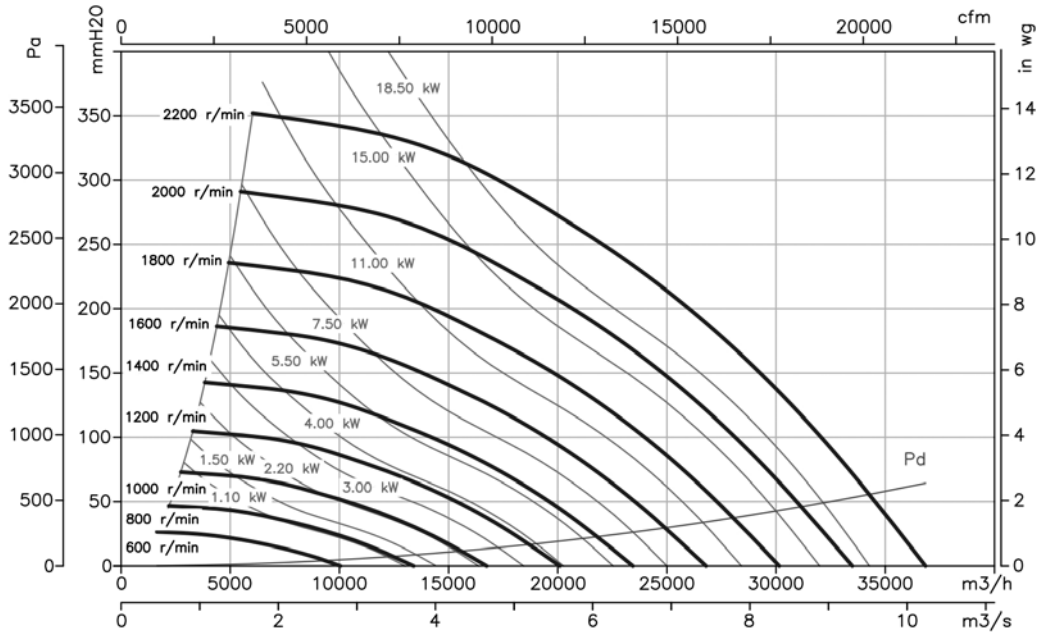
CMRH 1856



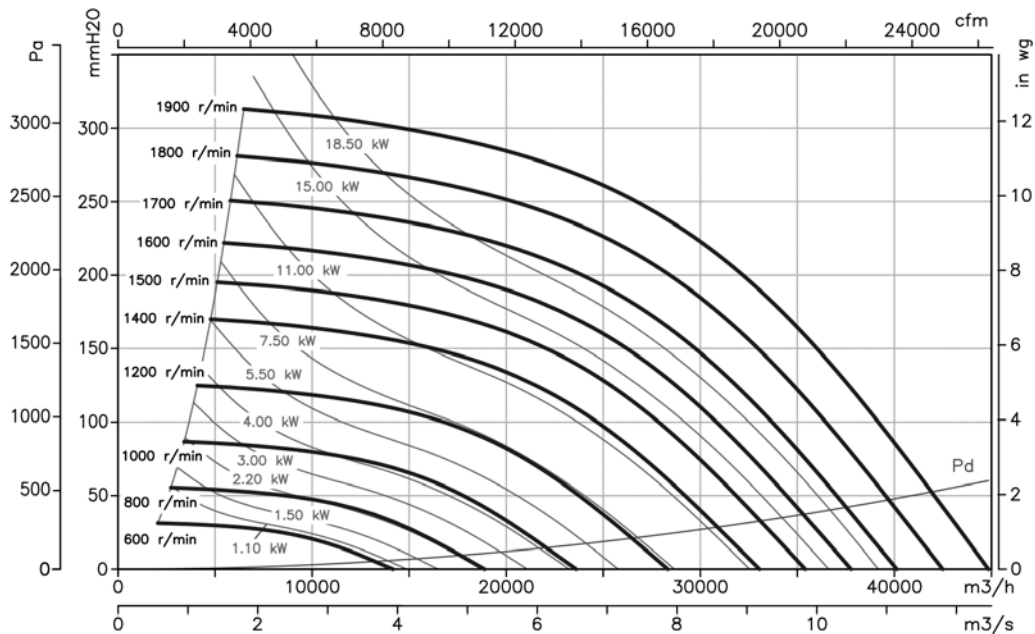
Characteristic curves

Q= Flow rate in m³/h, m³/h and cfm Pe= Static pressure in mm H₂O, Pa and inwg

CMRH 2063



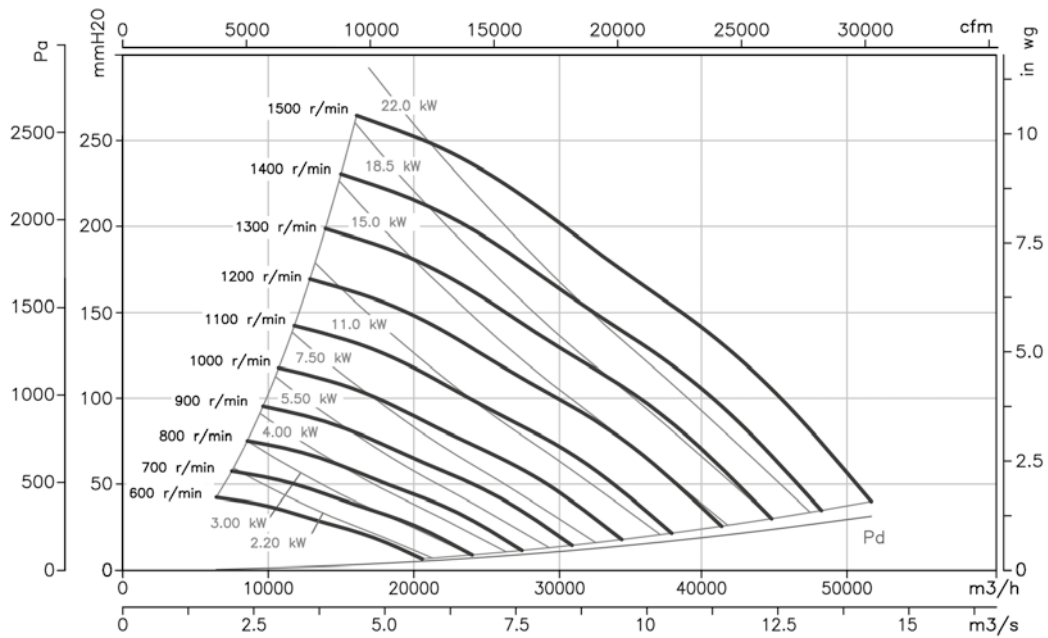
CMRH 2271



Characteristic curves

Q= Flow rate in m³/h, m³/h and cfm Pe= Static pressure in mm H₂O, Pa and inwg

CMRH 2380



Accessories



INT

C2V

RM

VSD3/A-RFT
VSD1/A-RFM

AET

ARO

VOL

Drall-Regler

Válvula lamas
contrapuestas

CMSH

Medium pressure centrifugal fans, equipped with a backward curved impeller and a heat insulated box with mineral fiber



Fan:

- Sheet steel structure.
- Backward curved impeller made of sheet steel.
- Heat resistant compartment with high density mineral fiber and great thermal and acoustic insulation.
- With 30 mm thick mineral fibre.

Motor:

- Motors with IE3 efficiency for powers equal to or greater than 0.75kW, except single-phase, 2-speed and 8-pole.
- Class F motors with ball bearings and IP55 protection.
- Three-phase 230/400 V 50 Hz (up to 4 kW) and 400/690 V 50 Hz (powers greater than 4 kW).
- Maximum temperature of air to be carried: -20 °C +250 °C.

Finishing:

- Treatment with anticaloric paint.

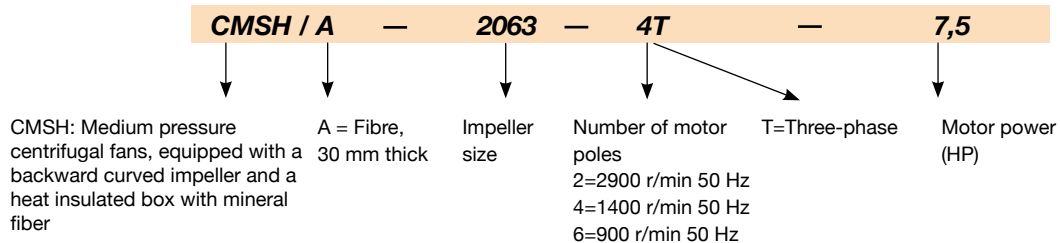
On request:

- Special windings for different voltages.
- Stainless steel construction.



Compartment insulated with high thermal insulation mineral fibre

Order code



Technical characteristics

Model	Speed (r/min)	Maximum admissible current (A)			Installed power (kW)	Maximum flow rate (m³/h)	Sound pressure level dB(A)	Approx. weight (Kg)
		230V	400V	690V				
CMSH-831-2T-2 IE3	2875	5.34	3.07		1.50	2650	65	31
CMSH-935-2T-2 IE3	2875	5.34	3.07		1.50	3660	70	39
CMSH-1040-4T-1.5 IE3	1455	4.07	2.34		1.10	2660	57	36
CMSH-1145-4T-1.5 IE3	1455	4.07	2.34		1.10	3940	61	58
CMSH-1240-4T-1.5 IE3	1455	4.07	2.34		1.10	5300	62	57
CMSH-1445-4T-2 IE3	1440	5.41	3.11		1.50	8450	70	69
CMSH-1650-4T-3 IE3	1435	7.93	4.56		2.20	10900	71	80
CMSH-1856-4T-5.5 IE3	1450	13.90	8.00		4.00	17100	77	93
CMSH-2063-4T-7.5 IE3	1465		10.30	5.97	5.50	19200	77	150
CMSH-2063-6T-3 IE3	950	9.08	5.22		2.20	13600	66	125
CMSH-2271-4T-15 IE3	1470		20.90	12.10	11.00	31000	83	196
CMSH-2271-4T-20 IE3	1465		27.90	16.20	15.00	34600	85	205
CMSH-2271-6T-5.5 IE3	960	15.60	8.99		4.00	21900	75	150
CMSH-2380-4T-30 IE3	1470		41.00	23.80	22.00	47600	86	266
CMSH-2380-6T-15 IE3	975		21.90	12.70	11.00	30900	78	279

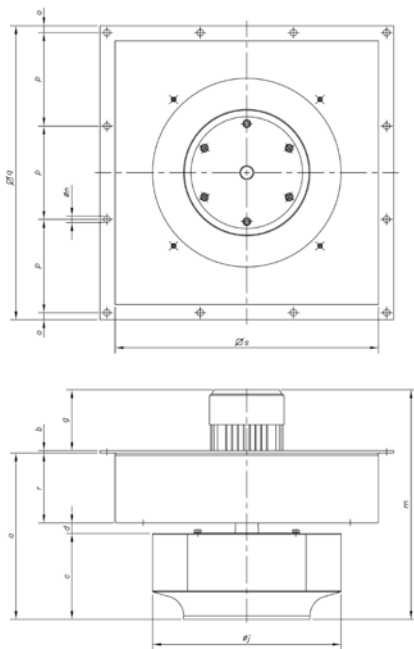
Acoustic characteristics

Sound power spectrum Lw(A) in dB(A) per Hz frequency band

	63	125	250	500	1000	2000	4000	8000
CMSH-831-2T-2	54	63	68	68	72	71	64	58
CMSH-935-2T-2	59	68	73	73	77	76	69	63
CMSH-1040-4T-1.5	50	56	61	62	65	67	59	53
CMSH-1145-4T-1.5	56	62	67	68	71	73	65	59
CMSH-1240-4T-1.5	46	59	61	73	69	67	64	56
CMSH-1445-4T-2	55	65	78	81	79	79	75	65
CMSH-1650-4T-3	52	65	79	79	82	80	77	67
CMSH-1856-4T-5.5	64	71	88	88	87	87	86	83

	63	125	250	500	1000	2000	4000	8000
CMSH-2063-4T-7.5	66	72	91	86	86	86	83	74
CMSH-2063-6T-3	58	69	76	77	78	77	71	61
CMSH-2271-4T-15	73	79	97	96	94	94	91	83
CMSH-2271-4T-20	75	81	99	98	96	96	93	85
CMSH-2271-6T-5.5	65	78	79	83	92	86	82	71
CMSH-2380-4T-30	76	82	100	99	97	97	94	86
CMSH-2380-6T-15	68	81	82	86	95	89	85	74

Dimensions mm



	a	b	c	d	g	øj	m	øn	o	p	□q	r	□s
CMSH-831-2T-2	253.5	3	83	20.5	174	315	432	9	15	150	480	150	400
CMSH-935-2T-2	265.5	3	93.5	22	186	350	454.5	14	20	188	604	150	495
CMSH-1040-4T-1'5	273.5	3	103.5	22	186	400	464	14	15	188	604	150	495
CMSH-1145-4T-1'5	283.5	5	114	19.5	186.5	450	475	14	15	200	630	150	565
CMSH-1240-4T-1'5	356.5	5	184	22.5	130.5	404	492	14	15	200	630	150	565
CMSH-1445-4T-2	397.5	5	220	27.5	186.6	458	589	14	15	200	630	150	565
CMSH-1650-4T-3	428	5	248	27.5	216	508	649	14	16	236	740	150	673
CMSH-1856-4T-5'5	449.5	5	277.5	22	216	577	671	14	16	236	740	150	673
CMSH-2063-4T-7'5	470	5	299	21	277.5	644	752.5	14	19	284	890	150	813
CMSH-2063-6T-3	470	5	299	21	239.5	644	714.5	14	19	284	890	150	813
CMSH-2271-4T-15	500	5	330	20	395.5	719	900.5	14	19	284	890	150	813
CMSH-2271-4T-20	500	5	330	20	395.5	719	900.5	14	19	284	890	150	813
CMSH-2271-6T-5'5	466	5	295	21	277.5	719	748.5	14	19	284	890	150	813
CMSH-2380-4T-30	538.5	5	366	22.5	538.5	808	1056	14	19	248	1030	150	953
CMSH-2380-6T-15	538.5	5	366	22.5	395.5	808	939	14	19	248	1030	150	953

Accessories



INT

C2V

RM

VSD3/A-RFT
VSD1/A-RFM

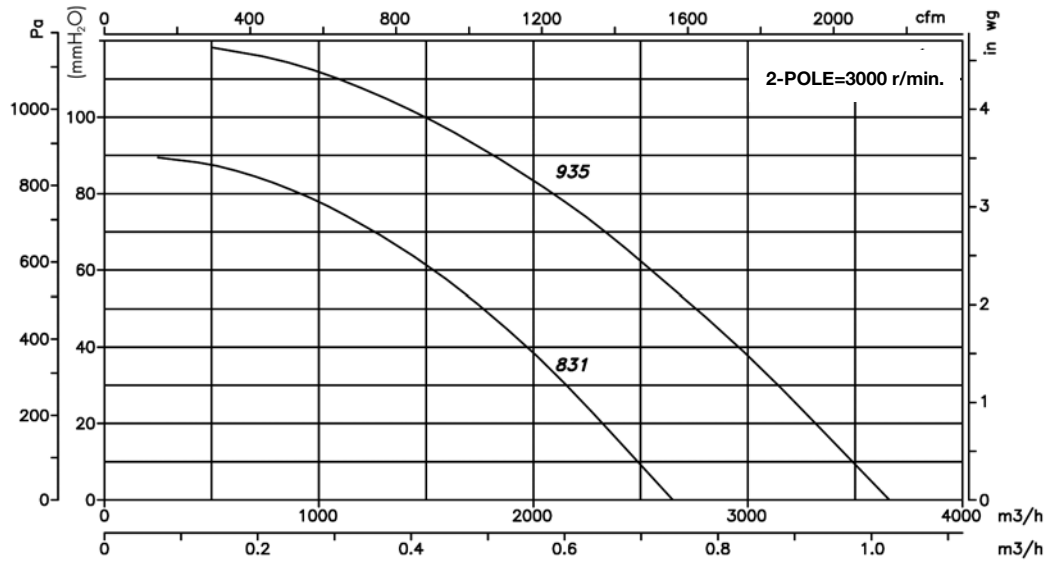
AET

ARO

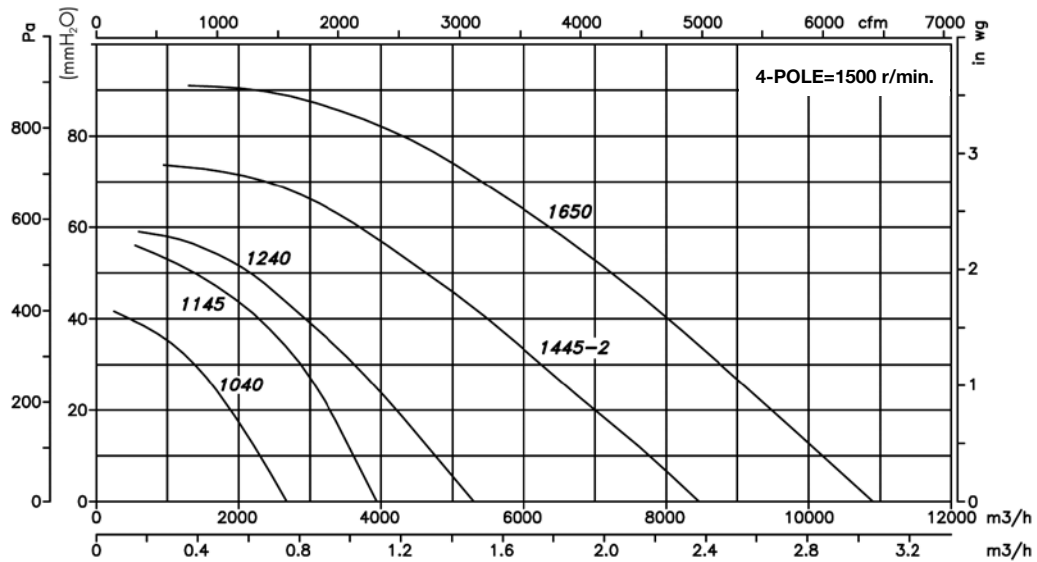
Characteristic curves

Q= Flow rate in m³/h, m³/h and cfm Pe= Static pressure in mm H₂O, Pa and inwg

CMSH 831...935



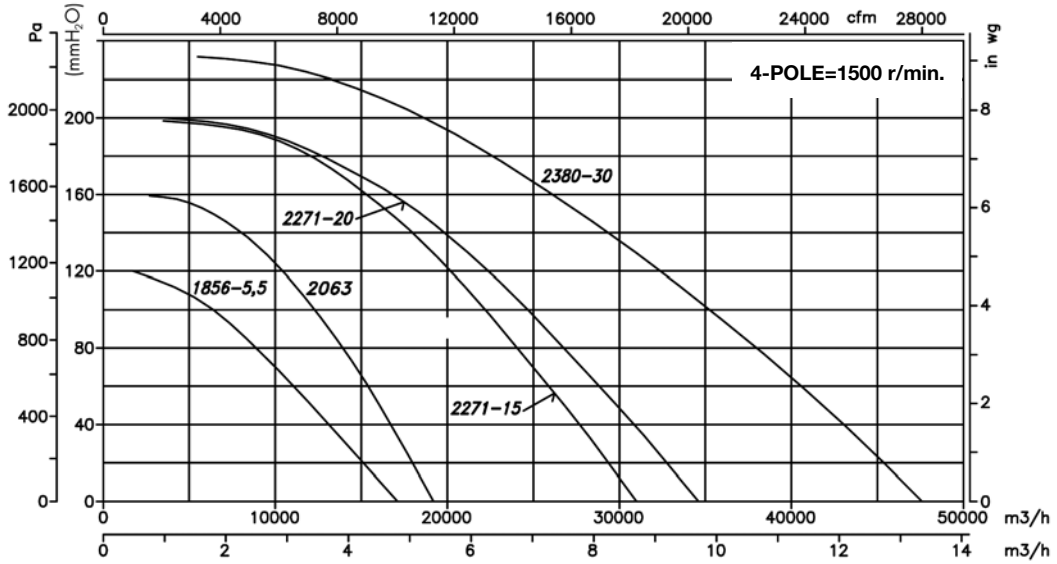
CMSH 1040...1650



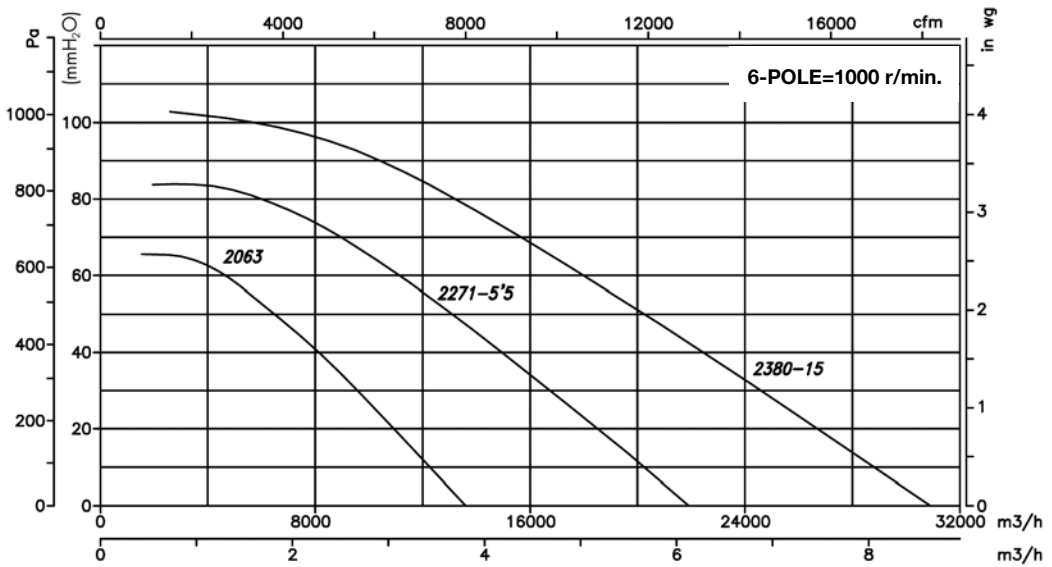
Characteristic curves

Q= Flow rate in m³/h, m³/h and cfm Pe= Static pressure in mm H₂O, Pa and inwg

CMSH 1856...2380



CMSH 2063...2380



CMPH



Centrifugal medium pressure fans, equipped with a forward curved impeller and a heat insulated box with mineral fiber



Fan:

- Sheet steel structure.
- Forward curved impeller in galvanized sheet steel.
- Heat resistant compartment with high density mineral fiber and great thermal and acoustic insulation.

Motor:

- Class F motors with ball bearings and IP55 protection.
- Motors with IE3 efficiency for powers equal to or greater than 0.75kW, except single-phase, 2-speed and 8-pole.
- Three-phase 230/400 V 50 Hz (up to 4 kW) and 400/690 V 50 Hz (powers greater than 4 kW).
- Maximum temperature of air to be carried: -20 °C +250 °C.

Finishing:

- Treatment with anticorrosive paint.

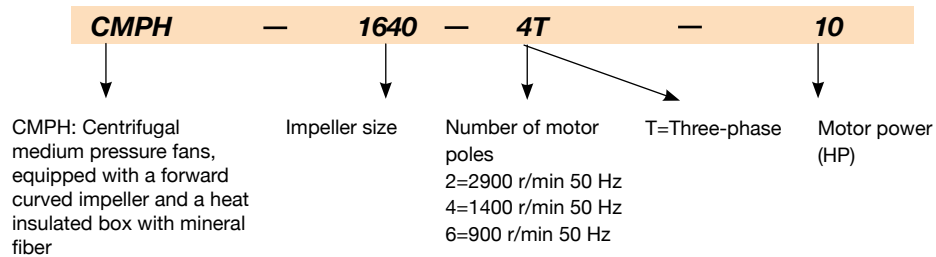
On request:

- Special windings for different voltages.
- Stainless steel construction.



Compartment insulated with high thermal insulation mineral fibre

Order code



Technical characteristics

Model	Speed (r/min)	Maximum admissible current (A)			Installed power (kW)	Maximum flow rate (m³/h)	Sound pressure level dB(A)	Approx. weight (Kg)
		230V	400V	690V				
CMPH-512-2T-0.25	2750	1.21	0.70		0.18	475	62	7
CMPH-512-4T-0.16	1320	0.96	0.56		0.12	255	55	7
CMPH-514-2T-0.25	2750	1.21	0.70		0.18	800	65	11
CMPH-514-4T-0.16	1320	0.96	0.56		0.12	565	58	11
CMPH-616-2T-0.5	2710	1.92	1.11		0.37	1380	69	13
CMPH-616-4T-0.16	1320	0.96	0.56		0.12	850	61	11
CMPH-620-2T-0.5	2710	1.92	1.11		0.37	765	68	15
CMPH-620-4T-0.16	1320	0.96	0.56		0.12	810	61	13
CMPH-718-2T-1 IE3	2825	2.80	1.62		0.75	1485	70	23
CMPH-718-4T-0.33	1350	1.52	0.88		0.25	1280	63	15
CMPH-820-2T-1.5 IE3	2830	4.03	2.34		1.10	1950	73	21
CMPH-820-4T-0.33	1350	1.52	0.88		0.25	1670	66	15
CMPH-922-2T-1.5 IE3	2830	4.03	2.34		1.10	1650	70	25
CMPH-922-2T-2 IE3	2875	5.34	3.07		1.50	2010	71	31
CMPH-922-2T-3 IE3	2910	7.32	4.21		2.20	2600	74	34
CMPH-922-4T-0.75	1380	2.92	1.69		0.55	2450	66	22
CMPH-1025-2T-3 IE3	2910	7.32	4.21		2.20	2100	73	35
CMPH-1025-2T-4 IE3	2910	10.00	5.77		3.00	2830	77	41

Technical characteristics

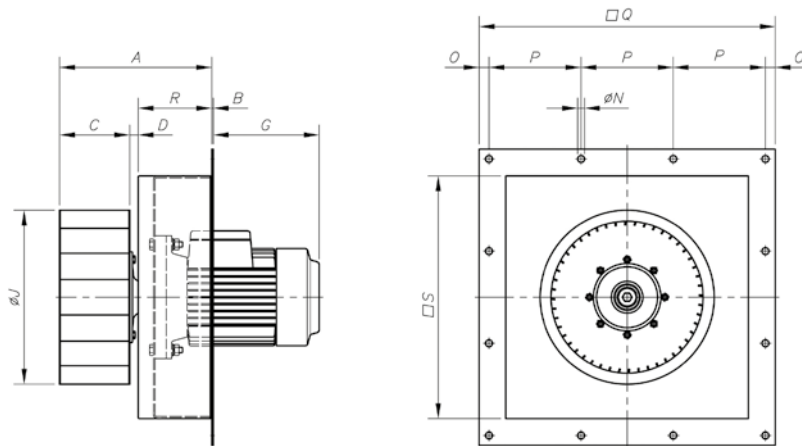
Model	Speed (r/min)	Maximum admissible current (A)			Installed power (kW)	Maximum flow rate (m³/h)	Sound pressure level dB(A)	Approx. weight (Kg)
		230V	400V	690V				
CMPH-1025-4T-1.5 IE3	1455	4.07	2.34		1.10	3400	70	31
CMPH-1128-2T-4 IE3	2910	10.00	5.77		3.00	2220	77	46
CMPH-1128-2T-5.5 IE3	2900	13.00	7.50		4.00	3210	81	59
CMPH-1128-4T-3 IE3	1435	7.93	4.56		2.20	5000	74	45
CMPH-1128-6T-1 IE3	940	3.36	1.93		0.75	3300	60	39
CMPH-1231-4T-3 IE3	1435	7.93	4.56		2.20	4740	73	45
CMPH-1231-4T-4 IE3	1440	10.70	6.15		3.00	5910	75	51
CMPH-1231-4T-5.5 IE3	1450	13.90	8.00		4.00	6850	77	53
CMPH-1231-6T-2 IE3	950	6.43	3.70		1.50	5115	64	47
CMPH-1435-4T-4 IE3	1440	10.70	6.15		3.00	5560	76	52
CMPH-1435-4T-5.5 IE3	1450	13.90	8.00		4.00	6260	78	55
CMPH-1435-4T-7.5 IE3	1465		10.30	5.97	5.50	7210	80	90
CMPH-1435-6T-3 IE3	950	9.08	5.22		2.20	6400	66	54
CMPH-1640-4T-5.5 IE3	1450	13.90	8.00		4.00	7500	77	67
CMPH-1640-4T-7.5 IE3	1465		10.30	5.97	5.50	8035	80	102
CMPH-1640-4T-10 IE3	1465		13.90	8.06	7.50	9710	82	106
CMPH-1640-6T-3 IE3	950	9.08	5.22		2.20	8100	71	66
CMPH-1845-4T-7.5 IE3	1465		10.30	5.97	5.50	8965	82	113
CMPH-1845-4T-10 IE3	1465		13.90	8.06	7.50	10350	85	117
CMPH-1845-6T-3 IE3	950	9.08	5.22		2.20	8330	77	77
CMPH-2050-4T-10 IE3	1465		13.90	8.06	7.50	9000	83	128
CMPH-2050-4T-15 IE3	1470		20.90	12.10	11.00	12525	87	156
CMPH-2050-4T-20 IE3	1465		27.90	16.20	15.00	19000	89	167
CMPH-2050-6T-5.5 IE3	960	15.60	8.99		4.00	11000	79	122
CMPH-2563-6T-15 IE3	975		21.90	12.70	11.00	16500	86	202
CMPH-2563-6T-25 IE3	980		35.90	20.80	18.50	28000	87	306

Acoustic characteristics

Sound power spectrum Lw(A) in dB(A) per Hz frequency band

	63	125	250	500	1000	2000	4000	8000		63	125	250	500	1000	2000	4000	8000
CMPH-512-2T-0.25	37	47	58	65	69	66	64	57	CMPH-1128-6T-1	35	45	56	63	67	64	62	55
CMPH-512-4T-0.16	30	40	51	58	62	59	57	50	CMPH-1231-4T-3	51	60	71	78	82	80	78	71
CMPH-514-2T-0.25	40	50	61	68	72	69	67	60	CMPH-1231-4T-4	53	62	73	80	84	82	80	73
CMPH-514-4T-0.16	33	43	54	61	65	62	60	53	CMPH-1231-4T-5.5	55	64	75	82	86	84	82	75
CMPH-616-2T-0.5	44	54	65	72	76	73	71	64	CMPH-1231-6T-2	42	51	62	69	73	71	69	62
CMPH-616-4T-0.16	36	46	57	64	68	65	63	56	CMPH-1435-4T-4	54	63	74	81	85	83	81	74
CMPH-620-2T-0.5	43	53	64	71	75	72	70	63	CMPH-1435-4T-5.5	56	65	76	83	87	85	83	76
CMPH-620-4T-0.16	36	46	57	64	68	65	63	56	CMPH-1435-4T-7.5	58	67	78	85	89	87	85	78
CMPH-718-2T-1	45	55	66	73	77	74	72	65	CMPH-1435-6T-3	44	53	64	71	75	73	71	64
CMPH-718-4T-0.33	38	48	59	66	70	67	65	58	CMPH-1640-4T-5.5	55	64	75	82	86	84	82	75
CMPH-820-2T-1.5	48	58	69	76	80	77	75	68	CMPH-1640-4T-7.5	58	67	78	85	89	87	85	78
CMPH-820-4T-0.33	41	51	62	69	73	70	68	61	CMPH-1640-4T-10	60	69	80	87	91	89	87	80
CMPH-922-2T-1.5	45	55	66	73	77	74	72	65	CMPH-1640-6T-3	49	58	69	76	80	78	76	69
CMPH-922-2T-2	46	56	67	74	78	75	73	66	CMPH-1845-4T-7.5	61	71	82	89	93	91	89	81
CMPH-922-2T-3	49	59	70	77	81	78	76	69	CMPH-1845-4T-10	64	74	85	92	96	94	92	84
CMPH-922-4T-0.75	41	51	62	69	73	70	68	61	CMPH-1845-6T-3	56	66	77	84	88	86	84	76
CMPH-1025-2T-3	48	58	69	76	80	77	75	68	CMPH-2050-4T-10	62	72	83	90	94	92	90	82
CMPH-1025-2T-4	52	62	73	80	84	81	79	72	CMPH-2050-4T-15	66	76	87	94	98	96	94	86
CMPH-1025-4T-1.5	45	55	66	73	77	74	72	65	CMPH-2050-4T-20	68	78	89	96	100	98	96	88
CMPH-1128-2T-4	52	62	73	80	84	81	79	72	CMPH-2050-6T-5.5	58	68	79	86	90	88	86	78
CMPH-1128-2T-5.5	56	66	77	84	88	85	83	76	CMPH-2563-6T-15	67	77	88	95	99	96	94	87
CMPH-1128-4T-3	49	59	70	77	81	78	76	69	CMPH-2563-6T-25	68	78	89	96	100	97	95	88

Dimensions mm



	A	B	C	D	G Max.	∅J	∅N	O	P	Q	R	S
CMPH-512	108	3	50.5	6.5	159	120	7	12	97	315	50	260
CMPH-514	158.5	3	51.5	7	109	140	7	10	125	395	100	340
CMPH-616	169.5	3	62	6.5	155	160	7	10	125	395	100	353
CMPH-718	179.5	3	74	5	180	180	7	10	125	395	100	340
CMPH-620-2T-0.5	167	3	62	5	155	200	7	10	125	395	100	340
CMPH-620-4T-0.16	167	3	62	9	155	200	7	10	125	395	100	340
CMPH-820	187	3	82	4.5	180	200	7	10	125	395	100	340
CMPH-922	246.5	3	92	4.5	186	225	9	15	150	480	150	400
CMPH-1025	256.5	3	102	4.5	210	250	9	15	150	480	150	400
CMPH-1128	279.5	3	114	15	239	280	14	20	188	604	150	495
CMPH-1231	293.5	3	128	15	239	315	14	20	188	604	150	495
CMPH-1435	310.5	3	143	17.5	277	355	14	20	188	604	150	495
CMPH-1640	332	5	163	17.5	277	404	14	15	200	630	150	565
CMPH-1845-4T-7.5	353	5	180	23.5	277	454	14	16	236	740	150	673
CMPH-1845-4T-10	353	5	180	23.5	277	454	14	16	236	740	150	673
CMPH-1845-6T-3	347	5	180	17.5	239	454	14	16	236	740	150	673
CMPH-2050	376.5	5	204	23.5	388	500	14	16	236	740	150	673
CMPH-2563-6T-15	425	5	254	22.5	555	630	14	19	284	890	150	813
CMPH-2563-6T-25	443.5	5	254	39.5	555	630	14	19	284	890	150	813

Characteristic curves

See CMP series characteristic curves.

Accessories



INT



C2V



RM



VSD3/A-RFT
VSD1/A-RFM



AET



HPX

Tubular axial fans with external motors



Tubular axial fans activated by transmission with casing aperture up to 180°.

Fan:

- Tubular sheet steel casing with rotating cover.
- Cast aluminium impellers.
- Watertight transmission group (IP66) with double seal system.
- Airflow direction from motor to impeller.
- Temperature of the air to be carried: -25 °C to +120 °C.

Motor:

- Motors with IE3 efficiency for powers equal to or greater than 0.75kW, except single-phase, 2-speed and 8-pole.
- Class F motors with ball bearings and IP55 protection.

- 230V 50 Hz single-phase and 230/400V 50 Hz three-phase (up to 4 kW) and 400/690V 50 Hz (powers greater than 4 kW).

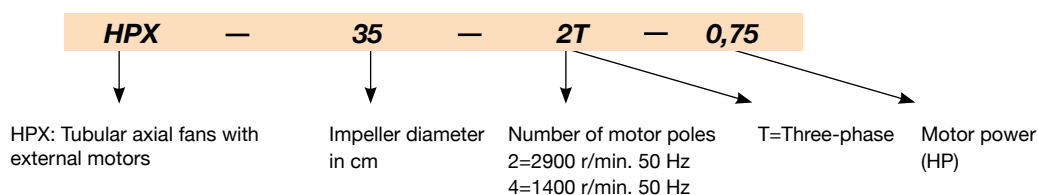
Finishing:

- Anti-corrosive finish in polyester resin, polymerised at 190 °C, after degreasing with phosphate-free nanotechnology treatment.

On request:

- Airflow direction from impeller to motor.
- 100% reversible impellers.
- Special windings for different voltages.
- Category 2 ATEX certification (see HPX/ATEX series).

Order code



Technical characteristics

Model	Speed (r/min)	Maximum admissible current (A)			Installed power (kW)	Maximum flow rate (m³/h)	Sound pressure level dB(A)	Approx. weight (Kg)
		230V	400V	690V				
HPX-35-2T-0.75	2720	2.57	1.49		0.55	4750	77	22
HPX-35-4T-0.33	1420	1.66	0.96		0.25	2500	60	20
HPX-45-4T-0.33	1200	1.66	0.96		0.25	6300	69	32
HPX-45-4T-0.5	1420	2.02	1.17		0.37	6600	70	36
HPX-50-4T-0.75	1310	2.92	1.69		0.55	9000	70	33
HPX-50-4T-1 IE3	1500	2.82	1.62		0.75	10800	71	35
HPX-56-4T-0.75	1380	2.92	1.69		0.55	11300	72	36
HPX-56-4T-1 IE3	1420	2.82	1.62		0.75	12200	73	37
HPX-56-4T-1.5 IE3	1420	4.07	2.34		1.10	14500	75	43
HPX-63-4T-1.5 IE3	1300	4.07	2.34		1.10	16000	74	63
HPX-63-4T-2 IE3	1420	5.41	3.11		1.50	17500	78	71
HPX-71-4T-1.5 IE3	1200	4.07	2.34		1.10	20300	78	78
HPX-71-4T-2 IE3	1350	5.41	3.11		1.50	22500	79	85
HPX-71-4T-3 IE3	1450	7.93	4.56		2.20	24000	81	86
HPX-80-4T-4 IE3	1350	10.70	6.15		3.00	32000	84	105
HPX-80-4T-5.5 IE3	1450	13.90	8.00		4.00	40500	84	108
HPX-90-4T-5.5 IE3	1280	13.90	8.00		4.00	44000	89	120
HPX-90-4T-7.5 IE3	1400		10.30	5.97	5.50	51000	91	155
HPX-100-4T-10 IE3	1450		13.90	8.06	7.50	63000	93	175
HPX-100-4T-15 IE3	1450		20.90	12.10	11.00	68000	94	206

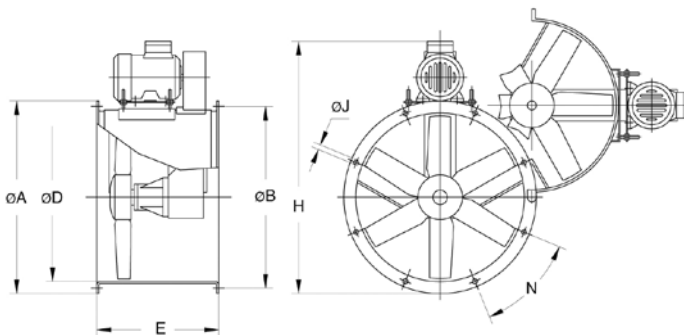
Acoustic characteristics

The indicated values are determined by measuring the sound pressure level and sound power in dB(A) obtained in a free field at a distance equivalent to twice the size of the fan plus the impeller diameter, with a minimum of 1.5 m.

Sound power spectrum Lw(A) in dB(A) per Hz frequency band

Model	63	125	250	500	1000	2000	4000	8000	Model	63	125	250	500	1000	2000	4000	8000
35-2-0.75	48	63	82	81	82	81	76	67	63-4-2	62	73	83	89	90	85	74	70
35-4-0.33	31	46	65	64	65	64	59	50	71-4-1.5	55	75	83	88	90	87	80	69
45-4-0.33	40	55	74	73	74	73	68	59	74-4-2	56	76	84	89	91	88	81	70
45-4-0.50	41	56	75	74	75	74	69	60	71-4-3	65	76	86	92	93	88	77	73
50-4-0.75	44	58	77	77	78	76	72	63	80-4-4	61	81	89	94	96	93	86	75
50-4-1	45	59	78	78	79	77	73	64	80-4-5.5	68	79	89	95	96	91	80	76
56-4-075	47	67	75	80	82	79	72	61	90-4-5.5	67	88	95	100	103	99	92	81
56-4-1	48	68	76	81	83	80	73	62	90-4-7.5	69	90	97	102	105	101	94	83
56-4-1.5	57	68	78	84	85	80	69	65	100-4-10	73	93	101	106	108	105	98	87
63-4-1.5	51	71	79	84	86	83	76	65	100-4-15	74	94	102	107	109	106	99	88

Dimensions mm

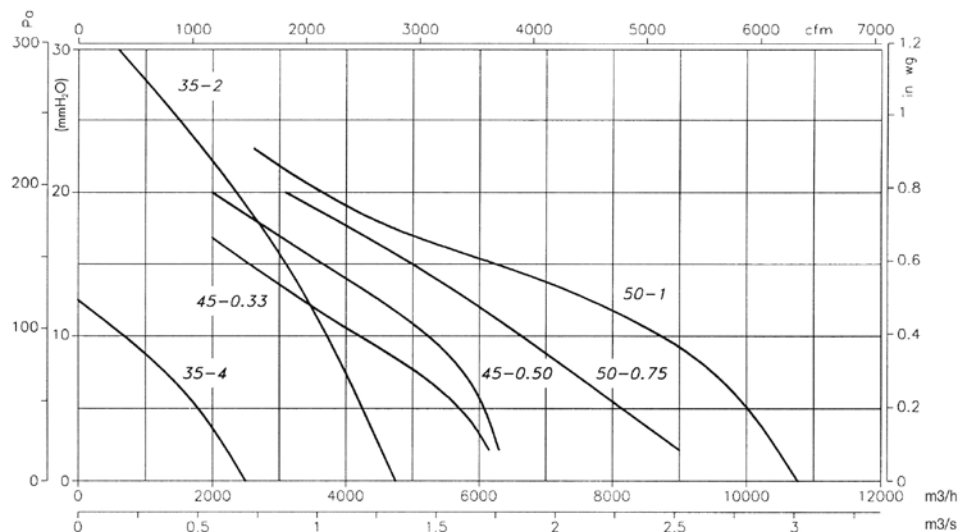


Model	ØA	ØB	ØD	E	H	ØJ	N
HPX-35-2T-0.75	425	395	355	380	606	10	8x45°
HPX-35-4T-0.33	425	395	355	380	609	10	8x45°
HPX-45-4T-0.33	540	500	460	420	740	12	8x45°
HPX-45-4T-0.50	540	500	460	420	728	12	8x45°
HPX-50-4T-0.75	600	560	512	420	803	12	12x30°
HPX-50-4T-1	600	560	512	420	803	12	12x30°
HPX-56-4T-0.75	660	620	560	450	848	12	12x30°
HPX-56-4T-1	660	620	560	450	848	12	12x30°
HPX-56-4T-1.5	660	620	560	450	870	12	12x30°
HPX-63-4T-1.5	730	690	640	500	950	12	12x30°
HPX-63-4T-2	730	690	640	500	950	12	12x30°
HPX-71-4T-1.5	810	770	710	550	1017	12	16x22°30'
HPX-71-4T-2	810	770	710	550	1017	12	16x22°30'
HPX-71-4T-3	810	770	710	550	1035	12	16x22°30'
HPX-80-4T-4	900	860	800	600	1173	12	16x22°30'
HPX-80-4T-5.5	900	860	800	600	1200	12	16x22°30'
HPX-90-4T-5.5	1015	970	900	650	1320	15	16x22°30'
HPX-90-4T-7.5	1015	970	900	650	1320	15	16x22°30'
HPX-100-4T-10	1115	1070	1000	750	1483	15	16x22°30'
HPX-100-4T-15	1115	1070	1000	750	1513	15	16x22°30'

Characteristic curves

Q= Flow rate in m³/h, m³/h and cfm Pe= Static pressure in mm H₂O, Pa and inwg

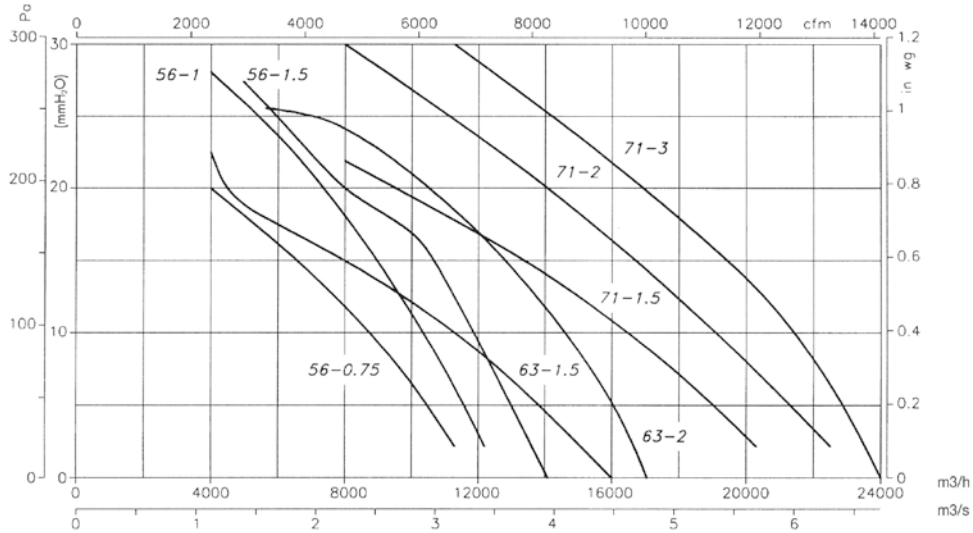
HPX 35...50



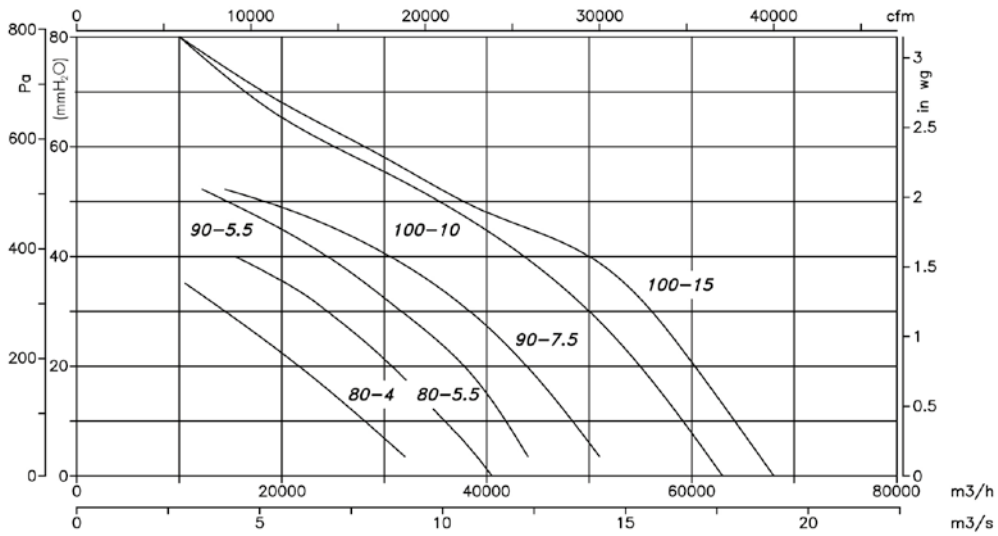
Characteristic curves

Q= Flow rate in m³/h, m³/h and cfm Pe= Static pressure in mm H₂O, Pa and inwg

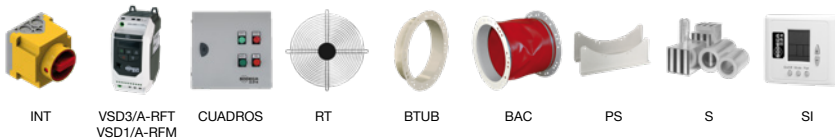
HPX 56...71



HPX 80...100



Accessories



INT VSD3/A-RFT CUADROS RT BTUB BAC PS S SI

HBA

Forked tubular axial fans with motors outside the airflow



Bifurcated tubular fans for transferring air up to 150 °C in continuous operation and up to 200 °C in sporadic mode.

Fan:

- Sheet steel long casing.
- Cast aluminium impellers.
- Airflow direction from impeller to motor.

Motor:

- Motors with IE3 efficiency for powers equal to or greater than 0.75kW, except single-phase, 2-speed and 8-pole.
- Class F motors with ball bearings and IP55 protection.
- Three-phase 230/400 V 50 Hz (up to 4 kW) and 400/690 V 50 Hz (powers greater than 4 kW).
- Working temperature: -25°C +150 °C.

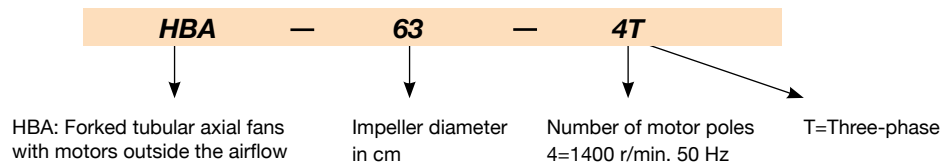
Finishing:

- Anti-corrosive finish in polyester resin, polymerised at 190 °C, after degreasing with phosphate-free nanotechnology treatment.

On request:

- Stainless steel casing.
- Hot dip galvanised finish.
- Special windings for different voltages and motors with PTC thermistors.

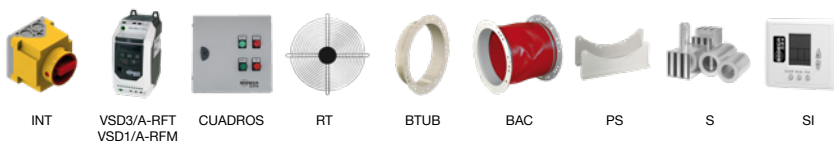
Order code



Technical characteristics

Model	Speed (r/min)	Maximum admissible current (A)		Installed power (kW)	Maximum flow rate (m ³ /h)	Sound pressure level dB(A)	Approx. weight (Kg)
		230V	400V				
HBA-31-2T	2760	2.57	1.49	0.55	2900	77	25
HBA-31-2M	2810	3.49		0.55	2900	77	26
HBA-31-4T	1350	1.66	0.96	0.25	1600	66	24
HBA-31-4M	1370	2.00		0.25	1600	66	25
HBA-40-2T IE3	2830	4.03	2.34	1.10	6200	82	46
HBA-40-2M	2820	6.51		1.10	6200	82	46
HBA-40-4T	1370	2.02	1.17	0.37	3200	75	40
HBA-45-2T IE3	2910	10.00	5.77	3.00	8550	84	61
HBA-50-4T IE3	1420	2.82	1.62	0.75	6750	76	74
HBA-63-4T IE3	1455	4.07	2.34	1.10	11150	77	95
HBA-71-4T IE3	1450	13.90	8.00	4.00	15850	79	166
HBA-71-6T	900	2.99	1.73	0.55	11200	74	140
HBA-80-6T IE3	945	4.68	2.69	1.10	14900	77	196
HBA-100-6T IE3	945	4.68	2.69	1.10	21700	80	266

Accessories



INT

VSD3/A-RFT
VSD1/A-RFM

CUADROS

RT

BTUB

BAC

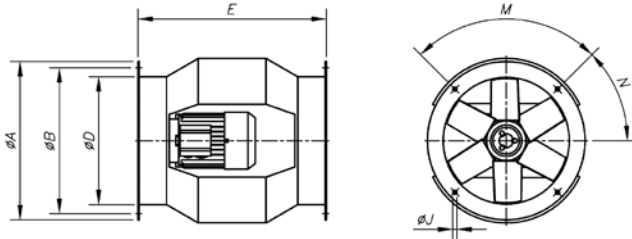
PS

S

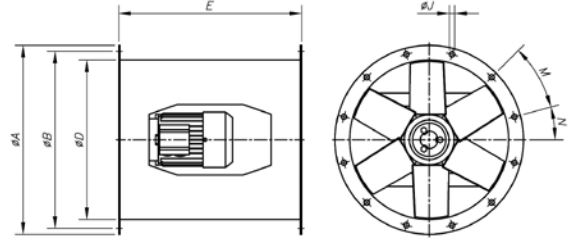
SI

Dimensions mm

HBA-31...50



HBA-63...100

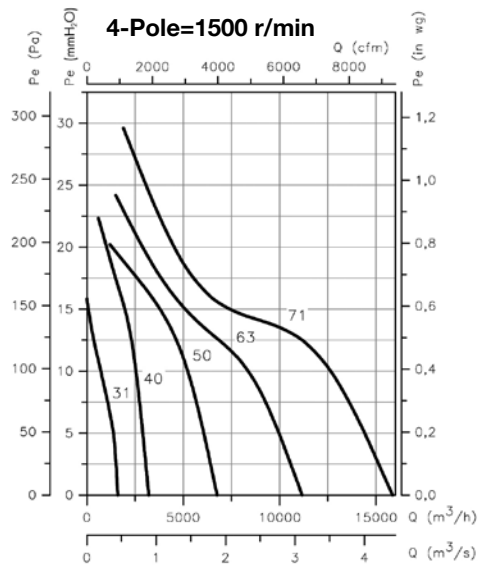
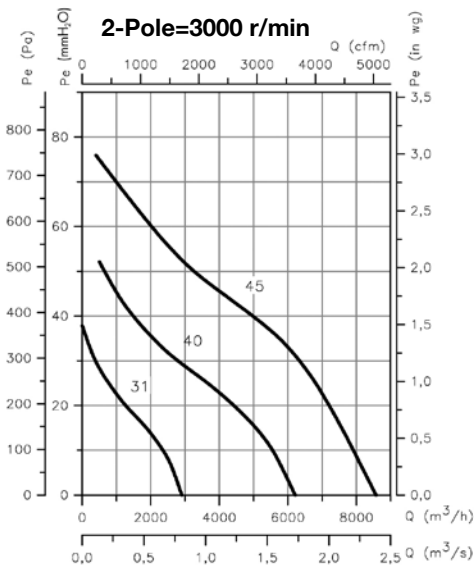


Model	ØA	ØB	ØD	E	ØJ	M	N
HBA-31	385	355	308	460	10	4x90°	45°
HBA-40	490	450	410	580	12	8x45°	22'5°
HBA-45	540	500	460	640	12	8x45°	22'5°
HBA-50	600	560	514	730	12	12x30°	15°
HBA-63	730	690	640	730	12	12x30°	15°
HBA-71	810	770	710	770	12	16x22'5°	11'25°
HBA-80	900	860	800	830	12	16x22'5°	11'25°
HBA-100	1115	1070	1000	1270	15	16x22'5°	11'25°

Characteristic curves

Q= Flow rate in m³/h, m³/h and cfm Pe= Static pressure in mm H₂O, Pa and inwg

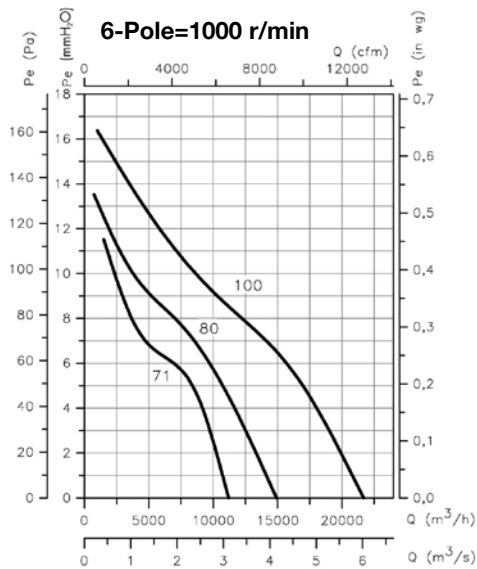
HBA



Characteristic curves

Q= Flow rate in m³/h, m³/h and cfm Pe= Static pressure in mm H₂O, Pa and inwg

HBA





HEADQUARTERS

Sodeca, S.L.U.

Pol. Ind. La Barricona
Carrer del Metall, 2
E-17500 Ripoll
Girona, SPAIN
Tel. +34 93 852 91 11
General sales: comercial@sodeca.com
Export sales: ventilation@sodeca.com

PRODUCTION PLANT

Sodeca, S.L.U.

Ctra. de Berga, km 0,7
E-08580 SANT QUIRZE DE BESORA
(Barcelona, SPAIN)
Tel. +34 93 852 91 11
General sales: comercial@sodeca.com
Export sales: ventilation@sodeca.com



SPAIN - PORTUGAL - FRANCE

DIVISIÓN INDUSTRIAL HEAVY DUTY FANS

Sodeca, S.L.U.

Mr. Josep M^a Minguella
Pol. Ind. La Barricona
Carrer del Metall, 2
E-17500 Ripoll
Girona, SPAIN
Tel. +34 93 504 16 65
divisionhd@sodeca.com

SPAIN - PORTUGAL

OEM & INDUSTRIAL DIVISION

Sodeca, S.L.U.

Mr. Albert Bartés
Pol. Ind. La Barricona
Carrer del Metall, 2
E-17500 Ripoll
Girona, SPAIN
Tel. +34 93 504 16 65
abartes@sodeca.com

EXPORT

OEM & INDUSTRIAL DIVISION

Sodeca, S.L.U.

Mr. Àngel Botello
Pol. Ind. La Barricona
Carrer del Metall, 2
E-17500 Ripoll
Girona, SPAIN
Tel. +34 93 504 16 65
abotello@sodeca.com



EUROPE

FINLAND

Sodeca Finland, Oy

HUITTINEN
Sales and Warehouse
Mr. Kai Yli-Sipilä
Metsälinnankatu 26
FI-32700 Huittinen
Tel. + 358 400 320 125
orders.finland@sodeca.com

HELSINKI
Smoke Control Solutions
Mr. Antti Kontkanen
Vilppulantie 9C
FI-00700 Helsinki
Tel. +358 400 237 434
akontkanen@sodeca.com

HYVINKÄÄ
Industrial Applications
Mr. Jaakko Tomperi
Niinistökatu 12
FI-05800 Hyvinkää
Tel. +358 451 651 333
jtomperi@sodeca.com

ITALIA

Marelli Ventilazione, S.R.L.

Viale del Lavoro, 28
37036 San Martino B.A.
(VR), ITALY
Tel. +39 045 87 80 140
vendite@sodeca.com

PORTUGAL

Sodeca Portugal, Unip. Lda.

PORTO
Rua Veloso Salgado 1120/1138
4450-801 Leça de Palmeira
Tel. +351 229 991 100
geral@sodeca.pt

LISBOA
Pq. Emp. da Granja Pav. 29
2625-607 Vialonga
Tel. +351 219 748 491
geral@sodeca.pt

ALGARVE
Rua da Alegria, 33
8200-569 Ferreiras
Tel. +351 289 092 586
geral@sodeca.pt

UNITED KINGDOM

Sodeca Fans UK, Ltd.

Mr. Mark Newcombe
Tamworth Enterprise Centre
Philip Dix House, Corporation
Street, Tamworth, B79 7DN
UNITED KINGDOM
Tel. +44 (0) 1827 216 109
sales@sodeca.co.uk

AMERICA

CHILE

Sodeca Ventiladores, SpA.

Sra. Sofía Ormazábal
Santa Bernardita 12.005
(Esquina con Puerta Sur)
Bodegas 24 a 26,
San Bernardo, Santiago, CHILE
Tel. +56 22 840 5582
ventas.chile@sodeca.com

COLOMBIA

Sodeca Latam, S.A.S.

Sra. Luisa Stella Prieto
Calle7 No. 13 A-44
Manzana 4 Lote1, Montana
Mosquera, Cundinamarca
Bogotá, COLOMBIA
Tel. +57 1 756 4213
ventascolombia@sodeca.co

PERU

Sodeca Perú, S.A.C.

Sr. Jose Luis Jiménez
C/ Mariscal Jose Luis de
Orbegoso 331. Urb. El pino.
15022, San Luis. Lima, PERÚ
Tel. +51 1 326 24 24
Cel. +51 994671594
comercial@sodeca.pe

RUSSIA

Sodeca, L.L.C.

Mr. Stanislav Alifanov
Severnoye Shosse, 10 room 201
Business Park Plaza Ramstars
140105 Ramenskoye,
Moscow region, RUSSIA
Tel. +7 495 955 90 50
alifanov@sodeca.com



HEADQUARTERS
Sodeca, S.L.U.

Pol. Ind. La Barricona
Carrer del Metall, 2
E-17500 Ripoll
Girona, SPAIN
Tel. +34 93 852 91 11
Fax +34 93 852 90 42
General sales: comercial@sodeca.com
Export sales: ventilation@sodeca.com



www.sodeca.com

