

OMEGA REV series

170÷1570 kW



General

Water-condensed liquid chiller for interior applications featuring semi-hermetic screw compressors, a shell-and-tube condenser and a dry-expansion shell-and-tube evaporator.

Configurations

HE: high efficiency chiller

OH: non-reversible heat pump

HPW: reversible heat pump on water side

HWT: unit for production of high temperature water

LC: condenserless unit

DS: unit with desuperheaters

DC: unit with recovery condenser

LN: low noise unit

SLN: super low noise unit

Strengths

- ▶ HE option in Eurovent Class A
- ▶ HWT option for the production of hot water up to 63°C
- ▶ Reduced refrigerant charge
- ▶ RS485 serial port and Ethernet as standard
- ▶ Integrated web server
- ▶ Multilogic function



CONTENTS

SPECIFICATIONS	3
TECHNICAL SPECIFICATIONS - OMEGA REV	10
TECHNICAL SPECIFICATIONS - OMEGA REV HE	13
TECHNICAL SPECIFICATIONS - OMEGA REV LC	16
ELECTRICAL SPECIFICATIONS - OMEGA REV - OMEGA REV HE - OMEGA REV LC	17
OPERATING LIMITS - OMEGA REV - OMEGA REV HE	18
COOLING	18
HEATING	18
RECOVERY	18
OPERATING LIMITS - OMEGA REV LC	19
COOLING	19
RECOVERY	19
OMEGA REV	20
ALLOWED FLOW RATE RANGE	20
OMEGA REV HE	20
OMEGA REV LC	20
NOISE LEVELS - OMEGA REV - OMEGA REV HE - OMEGA REV LC	21
NOISE LEVELS - OMEGA REV LN - OMEGA REV HE LN - OMEGA REV LC LN	22
NOISE LEVELS - OMEGA REV SLN - OMEGA REV HE SLN - OMEGA REV LC SLN	23
DIMENSIONAL DIAGRAMS	24

SPECIFICATIONS

Water-condensed liquid chiller for interior applications featuring semi-hermetic screw compressors, a shell-and-tube condenser and a dry-expansion shell-and-tube evaporator.

Refrigerant R134a

STRUCTURE

Consisting of hot dip galvanised steel sections and painted with polyester powder coating (RAL 9005).

The electrical control panel consists of a hot dip galvanised steel box, painted with polyester powder coating (RAL 7035).

COMPRESSORS

Semi-hermetic screw compressors with continuous capacity reduction of output power by 25 up to 100%, which allows the energy efficiency of the unit to be maximized in all operating conditions.

The capacity reduction of the entire unit is always continuous, from the minimum capacity reduction step, based on the number of compressors, up to 100%.

Lubrication of the compressors is ensured by the pressure difference between delivery and suction.

All the compressors are fitted with check valve on delivery side, metal mesh filter on suction side and electronic protection with temperature sensors directly inserted in the windings and on the delivery pipe.

The machine is started and switched off with a forced 25% capacity reduction of each compressor and starting is of the "star-delta" type.

All the compressors are standardly supplied with a crankcase heater and a delivery valve. They are installed on anti-vibration mounts in order to reduce vibration transfer to the structure.

SOURCE-SIDE HEAT EXCHANGER

Flooded type, shell-and-tube condenser featuring water flow on the tube side and refrigerant flow on the shell side. Steel shell and shell-and-tube made of copper tubing

The heads can be removed for tube inspection and cleaning.

Victaulic type couplings on the water side (complete with nipple for connection)

USER-SIDE HEAT EXCHANGER

The exchanger is a dry-expansion shell-and-tube exchanger. It is sized to maximize the efficiency of the unit, by keeping the overall dimensions and the refrigerant charge down to a minimum.

The exchanger consists of a steel shell insulated with a shell made of closed-cell foam material, while the tube bundle is made with copper tubes.

The heads can be removed for tube inspection and cleaning. Victaulic type couplings on the water side (complete with nipple for connection)

On the hydraulic connections of the heat exchanger, there are also pipe taps for the differential pressure switch, and wells for the temperature probes.

REFRIGERANT CIRCUIT

Each refrigerant circuit of the unit comprises:

- a delivery valve for each compressor;
- a shut-off valve in the liquid line;
- charging valves;
- a liquid sight glass;
- a replaceable solid cartridge dehydrator filter;
- an electronic expansion valve;
- pressure transducers for reading the high and low pressure values and relevant evaporating and condensing temperatures;
- a high pressure switch;
- a safety valve.

The pipes of the refrigerant circuit and the heat exchanger on the user side are insulated with extruded closed-cell expanded elastomer.

Compared to the mechanical expansion valve, the electronic expansion valve allows machine stability to be reached more quickly and better superheating control to maximize the use of the evaporator in all load conditions. This also acts as shut-off valve on the liquid line, as it closes during compressor stops, so preventing dangerous refrigerant migration.

ELECTRICAL CONTROL PANEL

The electrical control panel consists of a galvanized and painted sheet-iron box with forced ventilation and IP21 protection rating. The electrical control panel of the basic unit comprises:

- a main disconnect switch;
- fuses to protect the compressors and the auxiliary circuits;
- compressor contactors;
- a phase monitor;
- potential-free general alarm contacts;
- single potential free operating contacts;
- a microprocessor control with display accessible from the outside;
- a capacitive backup battery for electronic expansion valve.

All the electrical cables inside the panel are numbered and the terminal board dedicated to the customer's connections is coloured blue so that it can be quickly identified in the panel.

All models must be powered with 400V/3~/50Hz.

CONTROL

The microprocessor control allows the following functions:

- water temperature regulation, with outgoing water control;
- freeze protection;
- compressor timings;
- automatic rotation of compressor starting sequence;
- display of alarms;
- management of capacity reduction of the compressors during starting, switching off and load tracking;

- management of capacity reduction of the compressors in the event of operation outside the limits;
- recording of the log of the main variables;
- recording of the alarm log;
- sliding defrost management;
- RS485 serial port with Modbus protocol;
- Ethernet serial port with Modbus protocol and integrated WEB server;
- digital input for remote ON/OFF;
- digital input for Summer/Winter mode selection (only in HPW versions);
- digital input for selection of double set point.

The control has a graphic display that allows the following information to be displayed:

- water input and output temperature;
- set temperature and differential set points;
- description of alarms;
- hours of operation on the hour meter and number of start-ups of the unit and compressors;
- high and low pressure values, and relevant condensing and evaporating temperatures;
- superheating at compressor suction.

For further details on available functions and on displayed information, you can refer to the specific documentation of the control.

By default, the serial connections present as standard are enabled only for reading from BMS. Enabling of writing from BMS is to be requested when ordering.

CONTROLS AND SAFETY DEVICES

All the units are fitted with the following control and safety components:

- double high pressure switch with manual reset for each compressor;
- high pressure safety device with automatic reset and limited interventions managed by the control via specific pressure transducer;
- low pressure safety device with automatic reset and limited interventions managed by the control via specific pressure transducer;
- high pressure safety valve;
- operation probe at the outlet of the user-side heat exchanger that also acts as antifreeze probe;
- thermal overload protection for compressors;
- water differential pressure switch installed at the factory.

TESTING

All the units are factory-tested and supplied complete with oil and refrigerant.

VERSIONS

Other different versions are available to complete the OMEGA REV base line.

HE: high efficiency unit

The HE version unit uses oversized heat exchangers in order to increase the ratio between the exchange surfaces and the compressor capacity. This allows all models to achieve Eurovent Class A for EER and consequently also high ESEER values.

OH: non-reversible heat pump

This non-reversible heat pump is ideal for all applications in which the user does not need to produce cold water.

HPW: reversible heat pump on water side

This water-side reversible heat pump is ideal for applications in which it is possible to switch from the user to the source circuit and vice versa. To make this option possible, the fitter must simply make provision for a system of valves in order to implement switching from one circuit to the other.

When the switching from one season to the other is implemented via remote or BMS signal, the unit can control motor-driven reversing valves (not supplied) so as to make this operation fully automatic.

LC: condenserless unit

In this version the unit does not fit the water-fed heat exchanger on the source side as it can be connected to a remote condenser.

The unit is supplied as follows:

- with solenoid valves on the liquid line;
- with weld-on refrigerant connections closed with copper plugs;
- without the refrigerant load, and loaded with nitrogen.

/HWT: unit for production of high temperature water

Units with /HWT option use compressors with oversize electric motor for production of water at high temperature. This option is available for OH and HPW units or for cold only units with /DC option.

/LN: low noise unit

In this version the unit features a soundproof casing on the compressor, which consists of an outer rigid hood that is made with galvanised metal sheet and painted (RAL 7035), and whose interior is lined with a noise-absorbing matting and high noise impedance material in between.

/SLN: super low noise unit

In this version the unit comprises:

- a soundproof casing on the compressor, which consists of an outer rigid hood that is made with galvanised metal sheet and painted (RAL 7035), and whose interior is lined with a noise-absorbing matting and high noise impedance material in between;

soundproofing of the delivery and suction piping of the compressor by means of noise-absorbing insulating material and high noise impedance material.

OPTIONS

/DC: unit with recovery condenser

In addition to the set-up of a chiller only unit, /DC units comprise:

- a recovery condenser for recovering 100% of the condensation heat on each refrigerant circuit;
- a temperature probe at the inlet of each recovery exchanger;
- potential free contact in the electrical control panel for activation of recovery.

When required by the system, through the closing of a contact, the control automatically manages activation of recovery. Recovery management is carried out through a control on the temperature of the return water. The control also automatically manages safety deactivation of recovery, if the condensing pressure becomes too high, and switches to using the source-side heat exchanger.

/DS: unit with desuperheater

In addition to the chiller only version, /DS units feature (for each refrigerant circuit) an exchanger for the recovery of heat that forms during superheating, placed in series with the source-side exchanger.

/HWT: unit for high temperatures of produced water

Units with /HWT option use compressors with oversize electric motor for production of water at high temperature. This option is available for /OH and /HPW units or for cold only units with /DC option.

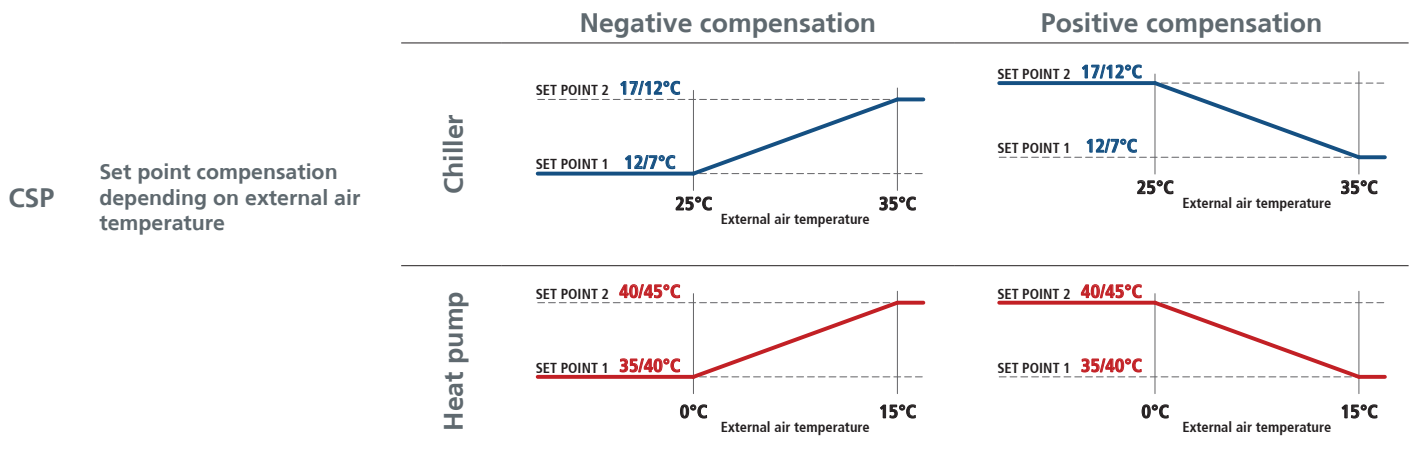
DESCRIPTION OF ACCESSORIES

CODE	Accessory	Operation and advantages
REFRIGERANT CIRCUIT ACCESSORIES		
SCR	0-10V signal for remote condensation control	This accessory requires provision of an analog input for a 0-10V circuit in the terminal board in order to check condensation using a modulating component, such as a valve or an inverter.
MAFR	Pressure gauges	The operating pressures of each circuit of the unit can be displayed on the control by accessing the relevant screens. Also, the machine can be fitted with pressure gauges (two for each circuit) installed in a clearly visible position. These allow reading in real time of the working pressures of the refrigerant gas on the low pressure side and on the high pressure side of each refrigerant circuit.
RIC	Liquid receivers	The adoption of this accessory always guarantees correct feeding of the expansion valve even when the unit is subjected to wide external air temperature ranges. This accessory is standard on LC/DC units.
RUBA	Compressor suction valves	The valves situated on the suction side of the compressors allow the compressor to be isolated from the rest of the refrigerant circuit, so making the maintenance operations quicker and less invasive.
DVS	Double safety valve	With this accessory, instead of each individual safety valve per circuit, there is a "candelabrum" with two safety valves and a diverter valve for choosing the valve in operation. This allows the safety valves to be replaced without having to drain the machine and without having to stop it.
VS	Liquid line solenoid valve	This accessory prevents refrigerant migration that could damage the compressor on starting. Standard on HP units.
BK	Brine Kit	Application of this accessory is compulsory if the unit has to produce water with temperature lower than +3°C (if the unit is provided with double set point or variable set point, the lower set point is considered). The accessory consists of adopting an increased insulation and a suitable sizing and calibration of some components.

CODE	Accessory	Operation and advantages
ELECTRICAL ACCESSORIES		
PBA	BACnet protocol over IP (Ethernet)	The control is set for using the BACnet protocol (instead of Modbus) on the Ethernet port. By default, the programming gives read-only access to the control of the unit. Enabling of read/write access should be requested when ordering.
GLO	Lon Gateway	With this accessory, a RS485/Lon gateway is installed inside the electrical control panel. By default, the programming gives read-only access to the control of the unit. Enabling of read/write access should be requested when ordering.
FM2	Multilogic function for Master unit for managing up to 2 Slaves	With this accessory, the unit is programmed as master of a system of machines in Multilogic network (for further details, refer to the control manual). Also, a network gateway with 4 ports is installed in the electrical control panel of the unit to allow the unit to be connected to an external LAN network and up to 2 slave units to be managed.
FM6	Multilogic function for Master unit for managing up to 6 Slaves	With this accessory, the unit is programmed as master of a system of machines in Multilogic network (for further details, refer to the control manual). Also, a network gateway with 8 ports is installed in the electrical control panel of the unit to allow the unit to be connected to an external LAN network and up to 6 slave units to be managed.
FM0	Multilogic function for Slave unit	With this accessory, the unit is programmed as slave of a system of machines in Multilogic network (for further details, refer to the control manual).
LIID	Limitation of the current absorbed by digital input	When this accessory is requested, a digital input is prepared in the terminal board to activate the forced capacity reduction of the unit to a set fixed level. This accessory is useful when there is a need to necessarily limit the power absorbed by the unit as regards particular conditions.
LIRA	Absorbed current limitation with measurement of absorption	For the unit equipped with this accessory, it is possible to set, directly in the control, a maximum current that can be absorbed by the machine. The control instantly checks the absorptions, through an amperometric transformer, and, in case of need, applies a dynamic forced capacity reduction able to always keep the absorbed current below the set threshold.
RIF	Power factor correction to $\cos\phi \geq 0.9$	With this accessory, an electrical control panel, containing power factor correction condensers to bring the $\cos\phi$ of the unit to being greater than 0.9, is supplied with the unit. The condensers should be connected (by the customer) to the electrical control panel of the unit in the specially prepared terminal board. Besides reducing the absorbed reactive power, the use of this accessory also allows the maximum absorbed current to be lowered.
SETD	Double set point from digital input	For units fitted with this accessory, it is possible to preset two different operating set points and manage the change from one to the other through a digital signal. The set point temperatures must be specified when ordering.
SETV	Variable set point with remote signal (0-1V, 0-10V, 4-20mA)	For units fitted with this accessory, the set point can be varied continuously between two preset values, a maximum and a minimum, depending on an external signal that can be of the 0-1V, 0-10V or 4-20mA type.

For units fitted with this accessory, the set point of the unit is set so that it can vary between two values, a maximum and a minimum, depending on the external air temperature. The compensation ramp and the maximum and minimum values of the set point can be changed by the user.

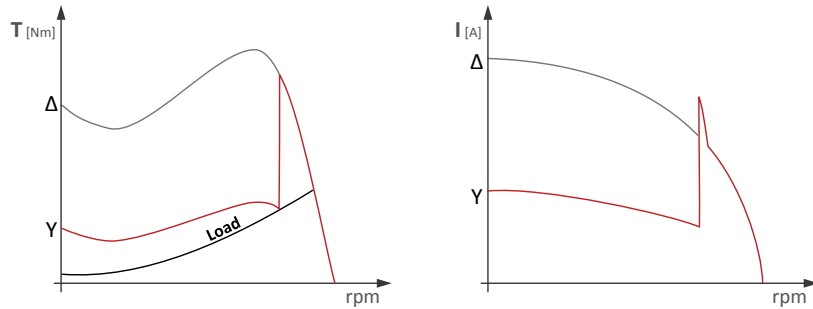
Unless otherwise specified in the order, the control will be set to implement a negative compensation logic according to the temperatures shown in the following diagrams:



The temperature probe detecting external air is included in the standard supply, but it must be installed by the customer.

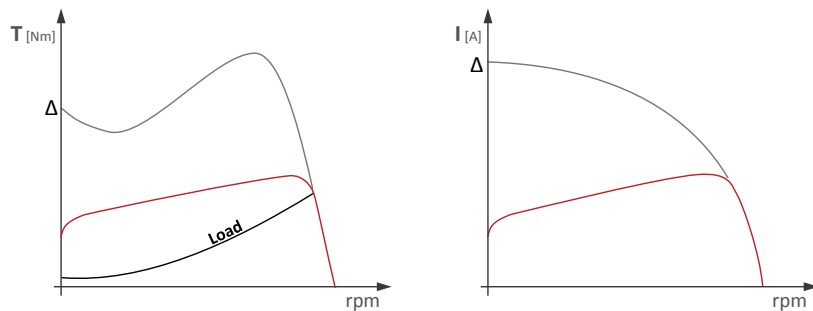
CODE	Accessory	Operation and advantages
------	-----------	--------------------------

Screw compressors are switched on using star-delta starting since this method allows very small effective average inrush currents to be obtained, but, as can be seen in the following diagrams, the connection change generates current peaks lasting for a few ms.



SOFT Electronic soft-starter

If the unit is equipped with the electronic soft-starter accessory, the starting of each compressor becomes of the DOL (Direct On Line) type, but with an acceleration ramp that allows the peaks of the star-delta system to be eliminated.



Remote-controlled user terminal

TERM



This accessory allows the terminal normally situated on the machine to be replicated on a support situated at a distance. It is particularly suitable when the unit is placed in an area that is not easily accessible.

The accessory is supplied with the unit and is to be installed by the customer at a maximum distance of 120m from the unit.

DAM Double power supply with manual switching

A manual switch to which to connect two separate power supply lines (for example, one from the mains power line and one from the uninterruptible power supply unit) is installed in the electrical control panel of the unit. The switching from one line to another is manual and compulsorily requires passing through the OFF position.

DAA Double power supply with automatic switching

A motor-driven automatic switch to which to connect two separate power supply lines (for example, one from the mains power line and one from the uninterruptible power supply unit) is installed in the electrical control panel of the unit. The switching from one line to another is automatic and compulsorily requires passing through the OFF position.

RMMT Maximum and minimum voltage relay

This accessory constantly monitors the voltage value and the unit's power supply phase sequence. If the supply voltage does not fall within the set parameters or there is a phase reversal, an alarm is generated that stops the machine to prevent damage to its main parts

IA Automatic circuit breakers

With this accessory, automatic circuit breakers are installed instead of fuses for the protection of auxiliary loads. Also, the same accessory uses automatic circuit breakers with adjustable thermal overload protection to protect the compressors.

Relay for management of 1 external pump

This accessory can be requested for units without pumps and allows a pump outside the machine to be controlled.

Relay for management of 2 external pumps

This accessory can be requested for units without pumps and allows two pumps outside the machine to be controlled with a running/stand-by logic by implementing a rotation on the hours of operation.

CODE	Accessory	Operation and advantages
OTHER ACCESSORIES		
AG	Rubber anti-vibration mounts	These allow you to reduce the vibrations transmitted from the unit to the surface it is standing on. Accessory supplied with the unit.
AM	Spring anti-vibration mounts	These allow you to reduce the vibrations transmitted from the unit to the surface it is standing on. Accessory supplied with the unit.
PREA	Partially assembled construction	<p>The unit is delivered so that it can be disassembled easily on site if this makes the installation operations easier. A unit requested with this option is supplied:</p> <ul style="list-style-type: none"> • screwed instead of riveted • with plugged and not welded pipes • without refrigerant charge • untested • covered by the warranty only if reassembled and screwed together by personnel authorized by the factory
GABB	Packaging in wooden crate	The unit is enclosed in a treated and ISPM 15 marked wooden crate. This accessory is strongly advised for shipping by container.
FLUS	Flow switch (instead of the water differential pressure switch)	As an alternative to the differential pressure switch (standard flow sensor), it is possible to request the paddle flow switch as accessory. This detects when there is no water flow to the user-side exchanger and sends a signal to the control of the unit that will stop the compressors to prevent damage to the exchangers. The flow switch is supplied with the unit (installation by the customer) and replaces the water differential pressure switch (standard).
FW	Water filter	To protect the elements of the hydraulic circuit (in particular, the exchangers), there are Y filters that can stop and settle the particles that are normally present in the water flow and would otherwise settle in the more delicate parts of the hydraulic circuit and damage its heat exchange capacity. Installation of the water filter is mandatory even when it is not supplied as an accessory. Accessory supplied with the unit.

TECHNICAL SPECIFICATIONS - OMEGA REV

Unit Size			18.1	20.1	22.1	24.1	27.1	31.1	35.1	36.2	38.2	41.2	42.1	45.2
OMEGA REV														
Cooling (A35; W7)														
Refrigeration capacity	(1)	kW	171	192	209	240	269	298	333	345	367	388	405	425
Absorbed power	(1)	kW	40	45	48	55	62	69	74	80	83	89	93	96
EER	(1)		4,27	4,30	4,35	4,38	4,34	4,34	4,48	4,29	4,39	4,38	4,37	4,41
ESEER			4,81	4,89	4,85	4,95	4,84	4,78	4,97	4,78	4,86	4,87	4,84	4,88
Eurovent efficiency class			C	C	C	C	C	C	C	C	C	C	C	C
OMEGA REV OH - OMEGA REV HPW														
Heating (W10°C; W45°C)														
Heating capacity	(2)	kW	198	221	240	276	309	342	379	466	398	421	445	487
Absorbed power	(2)	kW	49	55	59	68	76	85	91	115	99	103	109	119
COP	(2)		4,02	4,01	4,04	4,08	4,04	4,02	4,14	4,07	4,01	4,09	4,07	4,08
Eurovent efficiency class			C	C	C	C	C	C	C	C	C	C	C	C
Compressors														
Quantity/Refrigerant circuits		n°/n°	1/1	1/1	1/1	1/1	1/1	1/1	1/1	2/2	2/2	2/2	1/1	2/2
Minimum capacity reduction step		%	25%	25%	25%	25%	25%	25%	25%	13%	12%	13%	25%	13%
Refrigerant charge (CH)		kg	32	32	30	34	40	46	79	62	62	62	74	60
User-side heat exchanger														
Quantity			1	1	1	1	1	1	1	1	1	1	1	1
Total water content		l	57	54	54	74	69	69	118	113	108	108	108	108
Water flow rate	(1)	m³/h	29,6	33,2	36,1	41,5	46,4	51,4	57,4	59,5	63,3	66,9	70,0	73,4
Head losses	(1)	kPa	35	51	49	44	43	52	40	48	43	47	47	52
Water flow rate	(2)	m³/h	34,6	38,7	41,9	48,1	54,0	59,7	66,2	81,4	69,4	73,5	77,8	85,0
Head losses	(2)	kPa	26	26	29	27	30	33	34	28	26	26	26	29
Source-side heat exchanger														
Quantity			1	1	1	1	1	1	1	2	2	2	1	2
Total water content		l	15	18	18	24	25	27	25	15	33	18	35	18
Water flow rate	(1)	m³/h	36,3	40,6	44,1	50,6	56,8	62,8	69,8	72,9	77,2	81,7	85,5	89,5
Head losses	(1)	kPa	29	29	32	30	33	37	38	29	29	29	31	32
Water flow rate	(2)	m³/h	43,3	48,5	52,7	60,5	67,8	74,9	83,6	102,1	86,9	92,3	97,7	107,0
Head losses	(2)	kPa	70	101	97	87	85	103	79	93	95	85	93	103
Noise levels														
Sound power level (-)	(3)	dB(A)	84	84	84	87	89	91	93	89	87	87	97	87
Sound pressure level (-)	(4)	dB(A)	67	67	67	70	72	74	75	71	69	69	80	69
Sound power level (LN)	(3)	dB(A)	79	79	79	82	84	86	88	84	82	82	92	82
Sound pressure level (LN)	(4)	dB(A)	62	62	62	65	67	69	70	66	64	64	75	64
Sound power level (SLN)	(3)	dB(A)	77	77	77	80	82	84	86	82	80	80	90	80
Sound pressure level (SLN)	(4)	dB(A)	60	60	60	63	65	67	68	64	62	62	73	62
Dimensions basic unit														
Length		mm	3.410	3.410	3.410	2.440	2.440	2.440	3.430	3.630	3.630	3.630	3.530	3.630
Depth		mm	900	900	900	1.200	1.200	1.200	1.250	1.250	1.250	1.250	1.260	1.250
Height		mm	1.370	1.370	1.370	1.460	1.460	1.460	1.400	1.580	1.600	1.600	1.420	1.600
Weight		kg	1.224	1.318	1.297	1.471	1.596	1.669	1.648	2.097	2.192	2.285	1.779	2.243

- Temperature of input-output water to/from source-side heat exchanger 30-35°C; Temperature of input-output water to/from user-side heat exchanger 12-7°C. Values compliant with standard EN 14511
- Temperature of input-output water to/from source side 10/7°C; Temperature of input-output water to/from user side 40/45°C
- Sound power level obtained from measurements carried out in accordance with standard ISO 3744. Reference conditions: Temperature input / outlet source 30/35°C. Temperature input / outlet user 12/7°C.
- Sound pressure level referring to distance of 1 meter from the unit in free field, with directivity factor Q=2. Reference conditions: Temperature input / outlet source 30/35°C. Temperature input / outlet user 12/7°C. These values are to be considered indicative and non-binding.

TECHNICAL SPECIFICATIONS - OMEGA REV

Unit Size			46.2	49.2	53.2	57.2	62.2	65.2	69.2	72.2	76.2	78.2	83.2	88.2
OMEGA REV														
Cooling (A35; W7)														
Refrigeration capacity	(1)	kW	457	488	525	567	604	640	670	710	751	778	828	875
Absorbed power	(1)	kW	102	109	118	131	138	143	148	158	171	167	186	199
EER	(1)		4,46	4,47	4,43	4,32	4,39	4,48	4,52	4,50	4,40	4,65	4,45	4,39
ESEER			4,90	4,94	4,92	4,78	4,81	4,97	4,84	4,99	4,89	4,96	4,92	4,65
Eurovent efficiency class			C	C	C	C	C	C	C	C	C	B	C	C
OMEGA REV OH - OMEGA REV HPW														
Heating (W10°C; W45°C)														
Heating capacity	(2)	kW	522	558	601	652	693	733	763	814	868	885	950	1004
Absorbed power	(2)	kW	126	135	146	162	170	176	183	194	210	206	229	245
COP	(2)		4,13	4,14	4,11	4,02	4,07	4,17	4,18	4,20	4,13	4,30	4,14	4,09
Eurovent efficiency class			C	C	C	C	C	B	B	B	C	B	C	C
Compressors														
Quantity/Refrigerant circuits		n°/n°	2/2	2/2	2/2	2/2	2/2	2/2	2/2	2/2	2/2	2/2	2/2	2/2
Minimum capacity reduction step		%	12%	13%	13%	12%	13%	12%	13%	12%	13%	12%	13%	12%
Refrigerant charge (CH)		kg	60	71	81	83	76	129	160	142	146	156	160	180
User-side heat exchanger														
Quantity			1	1	1	1	1	1	1	1	1	1	1	1
Total water content		l	164	164	160	155	155	270	270	255	255	255	249	303
Water flow rate	(1)	m³/h	78,8	84,3	90,6	97,9	104,4	110,4	115,6	122,5	129,5	134,2	142,9	151,1
Head losses	(1)	kPa	38	42	43	55	60	37	39	36	40	41	46	48
Water flow rate	(2)	m³/h	91,1	97,4	104,9	114,0	121,0	127,9	133,3	142,1	151,5	154,5	165,9	175,5
Head losses	(2)	kPa	30	30	29	30	30	30	34	30	29	29	28	46
Source-side heat exchanger														
Quantity			2	2	2	2	2	2	2	2	2	2	2	2
Total water content		l	38	20	23	48	25	51	25	62	32	67	35	85
Water flow rate	(1)	m³/h	95,9	102,5	110,4	119,7	127,3	134,3	140,4	148,9	158,1	162,1	174,1	184,2
Head losses	(1)	kPa	33	33	32	33	33	33	38	33	32	32	31	51
Water flow rate	(2)	m³/h	114,8	122,9	132,0	142,7	152,2	161,6	168,7	179,8	190,8	197,0	209,2	221,0
Head losses	(2)	kPa	75	83	85	109	119	74	77	72	81	82	92	96
Noise levels														
Sound power level (-)	(3)	dB(A)	87	87	87	91	93	91	96	96	97	98	100	100
Sound pressure level (-)	(4)	dB(A)	69	69	69	73	75	73	78	77	78	80	82	81
Sound power level (LN)	(3)	dB(A)	82	82	82	86	88	86	91	91	92	93	95	95
Sound pressure level (LN)	(4)	dB(A)	64	64	64	68	70	67	73	73	73	75	77	76
Sound power level (SLN)	(3)	dB(A)	80	80	80	84	86	84	89	89	90	91	93	93
Sound pressure level (SLN)	(4)	dB(A)	62	62	62	66	68	65	70	70	71	73	74	74
Dimensions basic unit														
Length		mm	3.640	3.640	3.640	3.640	3.640	4.070	4.070	4.060	4.060	4.060	4.060	4.710
Depth		mm	1.250	1.250	1.250	1.250	1.250	1.280	1.280	1.280	1.280	1.280	1.280	1.390
Height		mm	1.690	1.690	1.690	1.690	1.690	1.900	1.900	1.950	1.950	1.950	1.950	2.030
Weight		kg	2.431	2.469	2.730	2.807	2.887	3.138	3.097	3.303	3.371	3.365	3.354	3.975

- Temperature of input-output water to/from source-side heat exchanger 30-35°C; Temperature of input-output water to/from user-side heat exchanger 12-7°C. Values compliant with standard EN 14511
- Temperature of input-output water to/from source side 10/7°C; Temperature of input-output water to/from user side 40/45°C
- Sound power level obtained from measurements carried out in accordance with standard ISO 3744. Reference conditions: Temperature input / outlet source 30/35°C. Temperature input / outlet user 12/7°C.
- Sound pressure level referring to distance of 1 meter from the unit in free field, with directivity factor Q=2. Reference conditions: Temperature input / outlet source 30/35°C. Temperature input / outlet user 12/7°C. These values are to be considered indicative and non-binding.

TECHNICAL SPECIFICATIONS - OMEGA REV

Unit Size		95.2	100.2	105.2	110.2	117.2	124.2	130.3	137.3	143.3	147.3	153.3
OMEGA REV												
Cooling (A35; W7)												
Refrigeration capacity	(1) kW	942	989	1044	1087	1167	1221	1278	1364	1418	1457	1520
Absorbed power	(1) kW	207	227	231	247	263	277	291	308	323	331	340
EER	(1)	4,55	4,35	4,52	4,40	4,44	4,41	4,39	4,43	4,39	4,40	4,47
ESEER		4,73	4,56	4,71	4,65	4,62	4,68	4,67	4,68	4,61	4,62	4,76
Eurovent efficiency class		C	C	C	C	C	C	C	C	C	C	C
OMEGA REV OH - OMEGA REV HPW												
Heating (W10°C; W45°C)												
Heating capacity	(2) kW	1072	1136	1190	1247	1335	1397	1467	1562	1627	1671	1736
Absorbed power	(2) kW	256	281	286	304	324	341	359	380	400	410	421
COP	(2)	4,19	4,04	4,16	4,10	4,12	4,09	4,09	4,12	4,07	4,08	4,12
Eurovent efficiency class		B	C	B	C	C	C	C	C	C	C	C
Compressors												
Quantity/Refrigerant circuits	n°/n°	2/2	2/2	2/2	2/2	2/2	2/2	3/3	3/3	3/3	3/3	3/3
Minimum capacity reduction step	%	13%	12%	13%	13%	12%	13%	8%	8%	8%	8%	8%
Refrigerant charge (CH)	kg	190	195	203	210	220	230	225	250	270	280	290
User-side heat exchanger												
Quantity		1	1	1	1	1	1	1	1	1	1	1
Total water content	l	303	292	292	510	495	495	600	600	580	580	580
Water flow rate	(1) m³/h	162,7	170,9	180,5	187,6	201,5	210,8	220,6	235,5	245,0	251,8	262,7
Head losses	(1) kPa	54	66	71	42	50	55	53	58	69	72	75
Water flow rate	(2) m³/h	187,3	198,6	207,9	217,9	233,3	244,2	256,3	273,0	284,4	292,0	303,4
Head losses	(2) kPa	49	49	49	46	49	51	45	45	49	49	49
Source-side heat exchanger												
Quantity		2	2	2	2	2	2	3	3	3	3	3
Total water content	l	45	95	50	52	110	58	125	130	135	141	146
Water flow rate	(1) m³/h	197,0	208,4	218,5	228,8	245,1	256,6	269,0	286,5	298,4	306,5	318,7
Head losses	(1) kPa	54	54	55	51	54	57	50	50	54	54	54
Water flow rate	(2) m³/h	238,0	250,0	264,2	274,2	294,4	307,8	322,7	344,6	358,5	368,5	384,4
Head losses	(2) kPa	108	132	142	84	99	109	106	116	138	144	150
Noise levels												
Sound power level (-)	(3) dB(A)	100	100	100	100	101	101	101	101	101	101	101
Sound pressure level (-)	(4) dB(A)	81	81	81	81	82	82	81	81	81	81	81
Sound power level (LN)	(3) dB(A)	95	95	95	95	96	96	96	96	96	96	96
Sound pressure level (LN)	(4) dB(A)	76	76	76	76	77	77	76	76	76	76	76
Sound power level (SLN)	(3) dB(A)	93	93	93	93	94	94	94	94	94	94	94
Sound pressure level (SLN)	(4) dB(A)	74	74	74	74	75	75	74	74	74	74	74
Dimensions basic unit												
Length	mm	4.710	4.710	4.710	4.770	4.770	4.770	4.450	4.450	4.450	4.450	4.450
Depth	mm	1.390	1.390	1.390	1.350	1.350	1.350	2.130	2.130	2.130	2.130	2.130
Height	mm	2.030	2.030	2.030	2.100	2.100	2.100	2.300	2.300	2.300	2.300	2.300
Weight	kg	4.080	4.179	4.279	4.721	4.772	4.810	6.630	6.796	6.964	7.028	7.082

- Temperature of input-output water to/from source-side heat exchanger 30-35°C; Temperature of input-output water to/from user-side heat exchanger 12-7°C. Values compliant with standard EN 14511
- Temperature of input-output water to/from source side 10/7°C; Temperature of input-output water to/from user side 40/45°C
- Sound power level obtained from measurements carried out in accordance with standard ISO 3744. Reference conditions: Temperature input / outlet source 30/35°C. Temperature input / outlet user 12/7°C.
- Sound pressure level referring to distance of 1 meter from the unit in free field, with directivity factor Q=2. Reference conditions: Temperature input / outlet source 30/35°C. Temperature input / outlet user 12/7°C. These values are to be considered indicative and non-binding.

TECHNICAL SPECIFICATIONS - OMEGA REV HE

Unit Size			18.1	20.1	22.1	24.1	27.1	31.1	35.1	36.2	38.2	41.2	42.1	45.2
OMEGA REV HE														
Cooling (A35; W7)														
Refrigeration capacity	(1)	kW	185	205	222	255	283	315	362	367	389	411	417	446
Absorbed power	(1)	kW	36	40	44	50	56	62	71	72	76	81	81	88
EER	(1)		5,09	5,08	5,09	5,07	5,09	5,07	5,08	5,11	5,10	5,06	5,13	5,09
ESEER			5,24	5,17	5,27	5,14	5,22	5,16	5,23	5,34	5,23	5,18	5,24	5,27
Eurovent efficiency class			A	A	A	A	A	A	A	A	A	A	A	A
OMEGA REV HE OH - OMEGA REV HE HPW														
Heating (W10°C; W45°C)														
Heating capacity	(2)	kW	206	229	249	285	317	353	405	463	412	437	462	500
Absorbed power	(2)	kW	45	50	54	62	69	77	88	101	89	95	101	109
COP	(2)		4,57	4,57	4,60	4,58	4,60	4,59	4,58	4,60	4,63	4,61	4,59	4,60
Eurovent efficiency class			A	A	A	A	A	A	A	A	A	A	A	A
Compressors														
Quantity/Refrigerant circuits		n°/n°	1/1	1/1	1/1	1/1	1/1	1/1	1/1	2/2	2/2	2/2	1/1	2/2
Minimum capacity reduction step		%	25%	25%	25%	25%	25%	25%	25%	13%	12%	13%	25%	13%
Refrigerant charge (CH)		kg	35	35	33	37	44	51	87	68	68	68	81	66
User-side heat exchanger														
Quantity			1	1	1	1	1	1	1	1	1	1	1	1
Total water content		l	54	54	54	71	71	71	108	108	108	108	108	108
Water flow rate	(1)	m³/h	31,9	35,4	38,3	44,0	48,8	54,4	62,6	63,4	67,3	71,0	72,0	77,0
Head losses	(1)	kPa	57	53	52	42	53	47	50	52	59	50	49	58
Water flow rate	(2)	m³/h	36,0	40,0	43,4	49,7	55,2	61,6	70,6	80,8	71,8	76,1	80,5	87,1
Head losses	(2)	kPa	11	12	6	16	9	9	16	21	7	7	10	8
Source-side heat exchanger														
Quantity			1	1	1	1	1	1	1	2	2	2	1	2
Total water content		l	23	25	36	29	45	49	36	62	62	62	36	66
Water flow rate	(1)	m³/h	37,9	42,1	45,6	52,4	58,1	64,8	74,5	75,4	80,0	84,6	85,5	91,6
Head losses	(1)	kPa	12	13	7	18	10	10	18	7	8	11	24	9
Water flow rate	(2)	m³/h	47,0	52,1	56,5	64,6	72,0	80,1	91,9	105,3	93,6	99,3	104,7	113,5
Head losses	(2)	kPa	115	107	105	84	107	95	100	98	105	120	101	117
Noise levels														
Sound power level (-)	(3)	dB(A)	84	84	84	87	89	91	93	89	87	87	97	87
Sound pressure level (-)	(4)	dB(A)	67	67	67	70	72	74	75	71	69	69	80	69
Sound power level (LN)	(3)	dB(A)	79	79	79	82	84	86	88	84	82	82	92	82
Sound pressure level (LN)	(4)	dB(A)	62	62	62	65	67	69	70	66	64	64	75	64
Sound power level (SLN)	(3)	dB(A)	77	77	77	80	82	84	86	82	80	80	90	80
Sound pressure level (SLN)	(4)	dB(A)	60	60	60	63	65	67	68	64	62	62	73	62
Dimensions basic unit														
Length		mm	3.420	3.420	3.420	2.450	2.450	2.450	3.530	3.640	3.640	3.640	3.530	3.640
Depth		mm	960	960	960	1.340	1.340	1.340	1.350	1.380	1.380	1.380	1.350	1.380
Height		mm	1.370	1.370	1.400	1.460	1.540	1.540	1.470	1.730	1.730	1.730	1.470	1.730
Weight		kg	1.240	1.278	1.398	1.374	1.704	1.774	1.605	2.335	2.361	2.441	1.792	2.497

- Temperature of input-output water to/from source-side heat exchanger 30-35°C; Temperature of input-output water to/from user-side heat exchanger 12-7°C. Values compliant with standard EN 14511
- Temperature of input-output water to/from source side 10/7°C; Temperature of input-output water to/from user side 40/45°C
- Sound power level obtained from measurements carried out in accordance with standard ISO 3744. Reference conditions: Temperature input / outlet source 30/35°C. Temperature input / outlet user 12/7°C.
- Sound pressure level referring to distance of 1 meter from the unit in free field, with directivity factor Q=2. Reference conditions: Temperature input / outlet source 30/35°C. Temperature input / outlet user 12/7°C. These values are to be considered indicative and non-binding.

TECHNICAL SPECIFICATIONS - OMEGA REV HE

Unit Size			46.2	49.2	53.2	57.2	62.2	65.2	69.2	72.2	76.2	78.2	83.2	88.2
OMEGA REV HE														
Cooling (A35; W7)														
Refrigeration capacity	(1)	kW	485	519	567	600	636	690	728	753	793	820	855	928
Absorbed power	(1)	kW	95	102	112	118	125	136	141	148	155	160	165	183
EER	(1)		5,10	5,07	5,06	5,08	5,09	5,07	5,16	5,09	5,10	5,12	5,17	5,06
ESEER			5,22	5,24	5,15	5,14	5,17	5,27	5,28	5,22	5,25	5,23	5,27	5,13
Eurovent efficiency class			A	A	A	A	A	A	A	A	A	A	A	A
OMEGA REV HE OH - OMEGA REV HE HPW														
Heating (W10°C; W45°C)														
Heating capacity	(2)	kW	542	580	635	673	713	771	812	843	888	914	947	1033
Absorbed power	(2)	kW	118	127	139	147	155	168	174	183	192	198	204	227
COP	(2)		4,61	4,57	4,58	4,59	4,59	4,58	4,66	4,61	4,62	4,62	4,64	4,56
Eurovent efficiency class			A	A	A	A	A	A	A	A	A	A	A	A
Compressors														
Quantity/Refrigerant circuits		n°/n°	2/2	2/2	2/2	2/2	2/2	2/2	2/2	2/2	2/2	2/2	2/2	2/2
Minimum capacity reduction step		%	12%	13%	13%	12%	13%	12%	13%	12%	13%	12%	13%	12%
Refrigerant charge (CH)		kg	66	78	89	91	84	142	176	156	161	172	176	198
User-side heat exchanger														
Quantity			1	1	1	1	1	1	1	1	1	1	1	1
Total water content		l	159	159	154	154	154	256	256	241	241	241	241	292
Water flow rate	(1)	m³/h	83,8	89,6	97,9	103,7	109,9	119,1	125,6	129,9	136,8	141,4	147,5	160,1
Head losses	(1)	kPa	45	51	52	57	61	50	45	42	46	44	49	48
Water flow rate	(2)	m³/h	94,6	101,2	110,8	117,4	124,3	134,5	141,6	147,1	155,0	159,6	165,4	180,4
Head losses	(2)	kPa	14	16	10	9	8	16	14	20	23	26	29	24
Source-side heat exchanger														
Quantity			2	2	2	2	2	2	2	2	2	2	2	2
Total water content		l	55	58	72	89	94	76	84	72	72	72	72	82
Water flow rate	(1)	m³/h	99,7	106,7	116,6	123,5	130,8	141,8	149,2	154,6	162,7	168,1	175,0	190,8
Head losses	(1)	kPa	16	18	11	10	9	18	16	22	25	29	33	27
Water flow rate	(2)	m³/h	123,1	131,5	144,0	152,8	161,9	174,8	184,7	191,2	201,9	207,8	215,8	234,0
Head losses	(2)	kPa	90	102	105	115	123	100	90	85	93	88	98	95
Noise levels														
Sound power level (-)	(3)	dB(A)	87	87	87	91	93	91	96	96	97	98	100	100
Sound pressure level (-)	(4)	dB(A)	69	69	69	73	75	73	78	77	78	80	82	81
Sound power level (LN)	(3)	dB(A)	82	82	82	86	88	86	91	91	92	93	95	95
Sound pressure level (LN)	(4)	dB(A)	64	64	64	68	70	67	73	73	73	75	77	76
Sound power level (SLN)	(3)	dB(A)	80	80	80	84	86	84	89	89	90	91	93	93
Sound pressure level (SLN)	(4)	dB(A)	62	62	62	66	68	65	70	70	71	73	74	74
Dimensions basic unit														
Length		mm	3.640	3.640	3.640	3.640	3.640	4.080	4.080	4.080	4.080	4.080	4.080	4.720
Depth		mm	1.380	1.380	1.380	1.380	1.380	1.380	1.380	1.380	1.380	1.380	1.380	1.460
Height		mm	1.780	1.780	1.780	1.780	1.780	2.040	2.040	2.000	2.000	2.000	2.000	2.150
Weight		kg	2.547	2.592	2.870	3.004	3.102	3.266	3.244	3.261	3.310	3.282	3.272	3.971

- Temperature of input-output water to/from source-side heat exchanger 30-35°C; Temperature of input-output water to/from user-side heat exchanger 12-7°C. Values compliant with standard EN 14511
- Temperature of input-output water to/from source side 10/7°C; Temperature of input-output water to/from user side 40/45°C
- Sound power level obtained from measurements carried out in accordance with standard ISO 3744. Reference conditions: Temperature input / outlet source 30/35°C. Temperature input / outlet user 12/7°C.
- Sound pressure level referring to distance of 1 meter from the unit in free field, with directivity factor Q=2. Reference conditions: Temperature input / outlet source 30/35°C. Temperature input / outlet user 12/7°C. These values are to be considered indicative and non-binding.

TECHNICAL SPECIFICATIONS - OMEGA REV HE

Unit Size		95.2	100.2	105.2	110.2	117.2	124.2	130.3	137.3	143.3	147.3	153.3
OMEGA REV HE												
Cooling (A35; W7)												
Refrigeration capacity	(1) kW	990	1044	1089	1156	1229	1291	1345	1423	1476	1520	1569
Absorbed power	(1) kW	195	206	214	228	242	255	266	281	290	299	307
EER	(1)	5,08	5,07	5,09	5,08	5,07	5,06	5,06	5,07	5,09	5,08	5,10
ESEER		5,16	5,21	5,21	5,16	5,10	5,10	5,12	5,03	5,23	5,13	5,11
Eurovent efficiency class		A	A	A	A	A	A	A	A	A	A	A
OMEGA REV HE OH - OMEGA REV HE HPW												
Heating (W10°C; W45°C)												
Heating capacity	(2) kW	1103	1163	1214	1286	1367	1436	1502	1583	1645	1696	1750
Absorbed power	(2) kW	241	255	265	281	300	316	328	347	357	370	380
COP	(2)	4,57	4,57	4,59	4,57	4,56	4,54	4,58	4,56	4,60	4,59	4,60
Eurovent efficiency class		A	A	A	A	A	A	A	A	A	A	A
Compressors												
Quantity/Refrigerant circuits	n°/n°	2/2	2/2	2/2	2/2	2/2	2/2	3/3	3/3	3/3	3/3	3/3
Minimum capacity reduction step	%	13%	12%	13%	13%	12%	13%	8%	8%	8%	8%	8%
Refrigerant charge (CH)	kg	209	215	223	231	242	253	248	275	297	308	319
User-side heat exchanger												
Quantity		1	1	1	1	1	1	1	1	1	1	1
Total water content	l	292	281	281	495	480	480	600	580	580	580	580
Water flow rate	(1) m³/h	171,0	180,3	188,0	199,5	212,1	222,9	232,0	245,6	254,6	262,3	270,9
Head losses	(1) kPa	53	49	51	45	49	55	47	55	40	52	54
Water flow rate	(2) m³/h	192,5	203,0	211,8	224,4	238,6	250,7	262,1	276,4	287,0	296,0	305,3
Head losses	(2) kPa	21	21	19	28	28	29	28	33	20	20	19
Source-side heat exchanger												
Quantity		2	2	2	2	2	2	3	3	3	3	3
Total water content	l	90	98	106	96	99	102	131	127	144	157	170
Water flow rate	(1) m³/h	203,5	214,7	223,8	237,5	252,5	265,4	276,4	292,2	303,2	312,4	322,3
Head losses	(1) kPa	24	24	21	31	32	33	31	37	22	22	21
Water flow rate	(2) m³/h	250,0	263,4	275,2	291,3	309,6	325,3	340,4	359,2	372,4	384,5	397,0
Head losses	(2) kPa	106	97	102	89	97	109	94	109	80	104	108
Noise levels												
Sound power level (-)	(3) dB(A)	100	100	100	100	101	101	101	101	101	101	101
Sound pressure level (-)	(4) dB(A)	81	81	81	81	82	82	81	81	81	81	81
Sound power level (LN)	(3) dB(A)	95	95	95	95	96	96	96	96	96	96	96
Sound pressure level (LN)	(4) dB(A)	76	76	76	76	77	77	76	76	76	76	76
Sound power level (SLN)	(3) dB(A)	93	93	93	93	94	94	94	94	94	94	94
Sound pressure level (SLN)	(4) dB(A)	74	74	74	74	75	75	74	74	74	74	74
Dimensions basic unit												
Length	mm	4.720	4.720	4.720	4.770	4.770	4.770	4.450	4.450	4.450	4.450	4.450
Depth	mm	1.460	1.460	1.460	1.420	1.420	1.420	2.130	2.130	2.130	2.130	2.130
Height	mm	2.150	2.150	2.150	2.220	2.220	2.220	2.300	2.300	2.300	2.300	2.300
Weight	kg	4.088	4.213	4.302	4.724	4.754	4.784	6.282	6.377	6.507	6.627	6.734

- Temperature of input-output water to/from source-side heat exchanger 30-35°C; Temperature of input-output water to/from user-side heat exchanger 12-7°C. Values compliant with standard EN 14511
- Temperature of input-output water to/from source side 10/7°C; Temperature of input-output water to/from user side 40/45°C
- Sound power level obtained from measurements carried out in accordance with standard ISO 3744. Reference conditions: Temperature input / outlet source 30/35°C. Temperature input / outlet user 12/7°C.
- Sound pressure level referring to distance of 1 meter from the unit in free field, with directivity factor Q=2. Reference conditions: Temperature input / outlet source 30/35°C. Temperature input / outlet user 12/7°C. These values are to be considered indicative and non-binding.

TECHNICAL SPECIFICATIONS - OMEGA REV LC

Unit Size			18.1	20.1	22.1	24.1	27.1	31.1	35.1	36.2	38.2	41.2	42.1	45.2
OMEGA REV LC														
Cooling (A35; W7)														
Refrigeration capacity	(1)	kW	143	171	180	213	236	265	282	292	321	339	340	366
Absorbed power	(1)	kW	44	50	54	62	70	78	85	88	94	100	97	107
EER	(1)		3,25	3,40	3,34	3,45	3,37	3,40	3,33	3,32	3,39	3,38	3,50	3,42
Compressors														
Quantity/Refrigerant circuits		n°/n°	1/1	1/1	1/1	1/1	1/1	1/1	1/1	2/2	2/2	2/2	1/1	2/2
Minimum capacity reduction step		%	25%	25%	25%	25%	25%	25%	25%	13%	12%	13%	25%	13%
User-side heat exchanger														
Quantity			1	1	1	1	1	1	1	1	1	1	1	1
Total water content		l	57	54	54	74	69	69	118	113	108	108	108	108
Water flow rate	(1)	m³/h	24,7	29,5	31,0	36,8	40,7	45,7	48,7	50,4	55,3	58,5	58,7	63,3
Head losses	(1)	kPa	28	41	40	37	36	43	33	40	34	38	38	42
Noise levels														
Sound power level (-)	(3)	dB(A)	84	84	84	87	89	91	93	89	87	87	97	87
Sound pressure level (-)	(4)	dB(A)	67	67	67	70	72	74	75	71	69	69	80	69
Sound power level (LN)	(3)	dB(A)	79	79	79	82	84	86	88	84	82	82	92	82
Sound pressure level (LN)	(4)	dB(A)	62	62	62	65	67	69	70	66	64	64	75	64
Sound power level (SLN)	(3)	dB(A)	77	77	77	80	82	84	86	82	80	80	90	80
Sound pressure level (SLN)	(4)	dB(A)	60	60	60	63	65	67	68	64	62	62	73	62
Dimensions basic unit														
Length		mm	2.500	2.500	2.500	2.600	2.600	2.600	3.600	3.600	3.600	3.600	3.600	3.600
Depth		mm	1.200	1.200	1.200	1.200	1.200	1.200	1.250	1.250	1.250	1.250	1.250	1.250
Height		mm	1.250	1.250	1.250	1.320	1.320	1.320	1.370	1.250	1.250	1.250	1.370	1.250
Weight		kg	1.190	1.278	1.256	1.296	1.417	1.487	1.471	1.809	1.895	1.981	1.516	1.938

Unit Size			46.2	49.2	53.2	57.2	62.2	65.2	69.2	72.2	76.2	78.2	83.2	88.2
OMEGA REV LC														
Cooling (A35; W7)														
Refrigeration capacity	(1)	kW	401	425	464	504	539	556	573	619	639	663	695	767
Absorbed power	(1)	kW	116	123	138	148	156	163	171	178	185	189	195	218
EER	(1)		3,47	3,45	3,35	3,41	3,45	3,41	3,36	3,48	3,46	3,50	3,56	3,51
Compressors														
Quantity/Refrigerant circuits		n°/n°	2/2	2/2	2/2	2/2	2/2	2/2	2/2	2/2	2/2	2/2	2/2	2/2
Minimum capacity reduction step		%	12%	13%	13%	12%	13%	12%	13%	12%	13%	12%	13%	12%
User-side heat exchanger														
Quantity			1	1	1	1	1	1	1	1	1	1	1	1
Total water content		l	164	164	160	155	155	270	270	255	255	255	249	303
Water flow rate	(1)	m³/h	69,1	73,3	80,0	87,1	93,0	95,9	98,8	106,7	110,2	114,3	119,9	132,3
Head losses	(1)	kPa	31	35	35	44	49	31	34	28	30	32	38	40
Noise levels														
Sound power level (-)	(3)	dB(A)	87	87	87	91	93	91	96	96	97	98	100	100
Sound pressure level (-)	(4)	dB(A)	69	69	69	73	75	73	78	77	78	80	82	81
Sound power level (LN)	(3)	dB(A)	82	82	82	86	88	86	91	91	92	93	95	95
Sound pressure level (LN)	(4)	dB(A)	64	64	64	68	70	67	73	73	73	75	77	76
Sound power level (SLN)	(3)	dB(A)	80	80	80	84	86	84	89	89	90	91	93	93
Sound pressure level (SLN)	(4)	dB(A)	62	62	62	66	68	65	70	70	71	73	74	74
Dimensions basic unit														
Length		mm	3.700	3.700	3.700	3.700	3.700	4.070	4.070	4.070	4.070	4.070	4.070	4.710
Depth		mm	1.250	1.250	1.250	1.250	1.250	1.280	1.280	1.280	1.280	1.280	1.280	1.350
Height		mm	1.360	1.360	1.360	1.360	1.360	1.570	1.570	1.550	1.550	1.550	1.550	1.630
Weight		kg	2.118	2.148	2.389	2.458	2.529	2.781	2.741	2.800	2.861	2.846	2.826	3.415

1. Condensation temperature 50°C; Temperature of input-output water to/from user-side heat exchanger 12-7°C. Values compliant with standard EN 14511
3. Sound power level obtained from measurements carried out in accordance with standard ISO 3744.
Reference conditions: Temperature input / outlet source 30/35°C. Temperature input / outlet user 12/7°C.
4. Sound pressure level referring to distance of 1 meter from the unit in free field, with directivity factor Q=2.
Reference conditions: Temperature input / outlet source 30/35°C. Temperature input / outlet user 12/7°C.
These values are to be considered indicative and non-binding.

TECHNICAL SPECIFICATIONS - OMEGA REV LC

Unit Size			95.2	100.2	105.2	110.2	117.2	124.2	130.3	137.3	143.3	147.3	153.3
OMEGA REV LC													
Cooling (A35; W7)													
Refrigeration capacity	(1)	kW	830	892	937	989	1059	1108	1150	1198	1266	1294	1351
Absorbed power	(1)	kW	230	246	262	271	288	304	320	332	347	358	378
EER	(1)		3,62	3,63	3,58	3,65	3,68	3,64	3,59	3,60	3,65	3,61	3,58
Compressors													
Quantity/Refrigerant circuits		n°/n°	2/2	2/2	2/2	2/2	2/2	2/2	3/3	3/3	3/3	3/3	3/3
Minimum capacity reduction step		%	13%	12%	13%	13%	12%	13%	8%	8%	8%	8%	8%
User-side heat exchanger													
Quantity			1	1	1	1	1	1	1	1	1	1	1
Total water content		l	303	292	292	510	495	495	600	600	580	580	580
Water flow rate	(1)	m³/h	143,3	154,0	161,8	170,5	182,7	191,2	198,5	206,7	218,6	223,5	233,3
Head losses	(1)	kPa	44	55	58	35	40	41	44	47	57	60	63
Noise levels													
Sound power level (-)	(3)	dB(A)	100	100	100	100	101	101	101	101	101	101	101
Sound pressure level (-)	(4)	dB(A)	81	81	81	81	82	82	81	81	81	81	81
Sound power level (LN)	(3)	dB(A)	95	95	95	95	96	96	96	96	96	96	96
Sound pressure level (LN)	(4)	dB(A)	76	76	76	76	77	77	76	76	76	76	76
Sound power level (SLN)	(3)	dB(A)	93	93	93	93	94	94	94	94	94	94	94
Sound pressure level (SLN)	(4)	dB(A)	74	74	74	74	75	75	74	74	74	74	74
Dimensions basic unit													
Length		mm	4.710	4.710	4.710	4.770	4.770	4.770	4.450	4.450	4.450	4.450	4.450
Depth		mm	1.350	1.350	1.350	1.350	1.350	1.350	2.130	2.130	2.130	2.130	2.130
Height		mm	1.630	1.630	1.630	1.700	1.700	1.700	1.770	1.770	1.770	1.770	1.770
Weight		kg	3.508	3.600	3.690	4.116	4.158	4.188	5.800	5.958	6.118	6.172	6.220

1. Condensation temperature 50°C; Temperature of input-output water to/from user-side heat exchanger 12-7°C. Values compliant with standard EN 14511
3. Sound power level obtained from measurements carried out in accordance with standard ISO 3744.
Reference conditions: Temperature input / outlet source 30/35°C. Temperature input / outlet user 12/7°C.
4. Sound pressure level referring to distance of 1 meter from the unit in free field, with directivity factor Q=2.
Reference conditions: Temperature input / outlet source 30/35°C. Temperature input / outlet user 12/7°C.
These values are to be considered indicative and non-binding.

ELECTRICAL SPECIFICATIONS - OMEGA REV - OMEGE REV HE - OMEGA REV LC

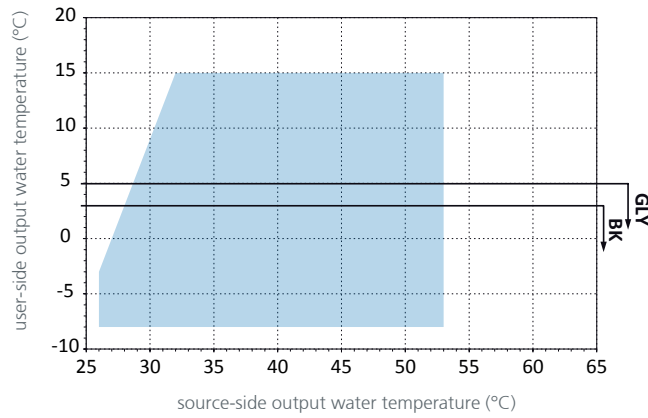
Unit Size			18.1	20.1	22.1	24.1	27.1	31.1	35.1	36.2	38.2	41.2	42.1	45.2
Max. absorbed power		kW	63	72	78	89	100	112	123	126	135	144	140	155
Max. absorbed current		A	104	118	127	146	164	183	202	207	222	236	229	254
Max. inrush current		A	167	208	208	240	230	282	282	270	312	326	305	335
Power supply		V/ph/Hz	400/3~/50											
Power supply for auxiliary circuits		V/ph/Hz	230-24/1~/50											

Unit Size			46.2	49.2	53.2	57.2	62.2	65.2	69.2	72.2	76.2	78.2	83.2	88.2
Max. absorbed power		kW	166	178	200	212	224	235	246	256	265	272	279	315
Max. absorbed current		A	273	291	327	347	367	385	403	419	435	447	458	517
Max. inrush current		A	367	385	393	446	466	465	483	506	522	523	534	706
Power supply		V/ph/Hz	400/3~/50											
Power supply for auxiliary circuits		V/ph/Hz	230-24/1~/50											

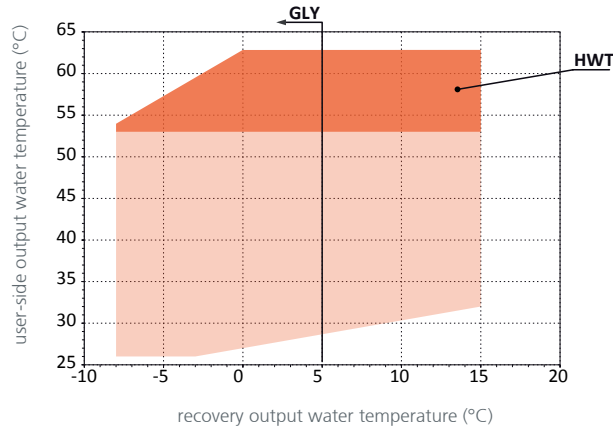
Unit Size			95.2	100.2	105.2	110.2	117.2	124.2	130.3	137.3	143.3	147.3	153.3
Max. absorbed power		kW	339	358	376	393	415	437	460	485	509	527	546
Max. absorbed current		A	557	587	617	644	681	717	755	795	835	865	896
Max. inrush current		A	746	776	806	867	1.015	1.051	944	984	1.024	1.054	1.085
Power supply		V/ph/Hz	400/3~/50										
Power supply for auxiliary circuits		V/ph/Hz	230-24/1~/50										

OPERATING LIMITS - OMEGA REV - OMEGA REV HE

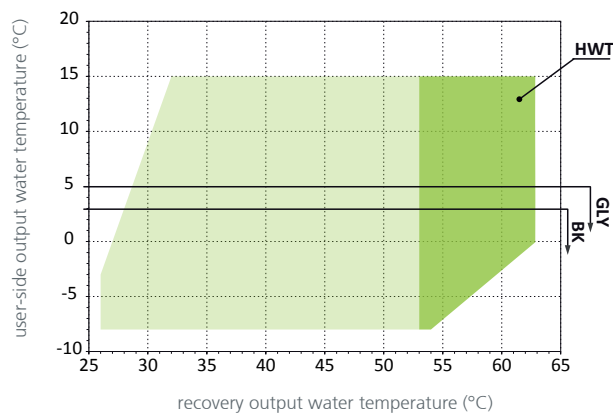
COOLING



HEATING



RECOVERY



ADMISSIBLE THERMAL GRADIENTS

The indicated limits refer to the temperature deltas (ΔT) allowed by the max. and min. flow rate values of the heat exchangers.

KEY TO SYMBOLS

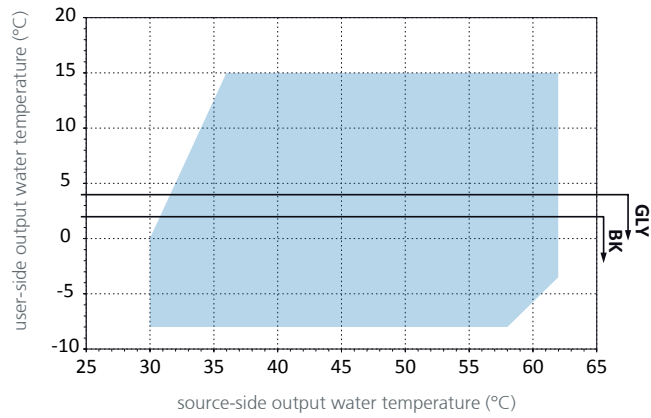
GLY (GLYcol): for SET point temperatures below 5°C, it is mandatory to use suitable percentages of antifreeze additives (glycols) to prevent ice formation in the exchanger.

BK (Brine Kit): for SET point temperatures below 3°C, it is mandatory to use the "Brine Kit" accessory.

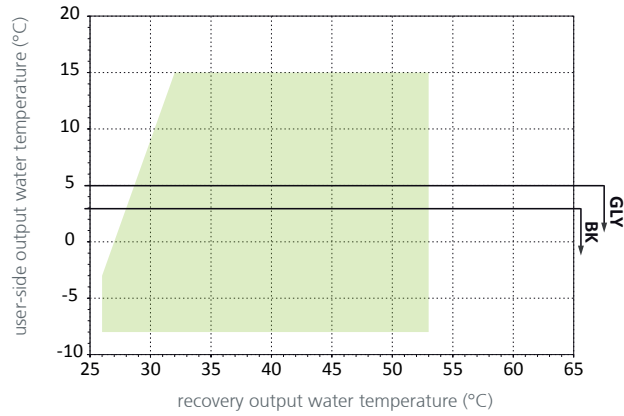
HWT (High Water Temperature): operating limits applying to "heating only" mode.

OPERATING LIMITS - OMEGA REV LC

COOLING



RECOVERY



ADMISSIBLE THERMAL GRADIENTS

The indicated limits refer to the temperature deltas (ΔT) allowed by the max. and min. flow rate values of the heat exchangers.

KEY TO SYMBOLS

GLY (GLYcol): for SET point temperatures below 5°C, it is mandatory to use suitable percentages of antifreeze additives (glycols) to prevent ice formation in the exchanger.

BK (Brine Kit): for SET point temperatures below 3°C, it is mandatory to use the "Brine Kit" accessory.

OMEGA REV

Allowed flow rate range

	EVAPORATORS		CONDENSERS	
	Q	Qmin	Q	Qmax
	m ³ /h	m ³ /h	m ³ /h	m ³ /h
18.1	14.8	44.4	18.1	54.4
20.1	16.6	49.8	20.3	60.9
22.1	18.1	54.2	22.0	66.1
24.1	20.7	62.2	25.3	75.9
27.1	23.2	69.7	28.4	85.1
31.1	25.7	77.1	31.4	94.2
35.1	28.7	86.2	34.9	104.7
36.2	29.8	89.3	36.4	109.3
38.2	31.6	94.9	38.6	115.8
41.2	33.5	100.4	40.8	122.5
42.1	35.0	105.0	42.7	128.2
45.2	36.7	110.2	44.7	134.2
46.2	39.4	118.2	47.9	143.8
49.2	42.1	126.4	51.3	153.8
53.2	45.3	136.0	55.2	165.6
57.2	48.9	146.8	59.9	179.6
62.2	52.2	156.6	63.6	190.9
65.2	55.2	165.6	67.2	201.5
69.2	57.8	173.4	70.2	210.5
72.2	61.2	183.7	74.4	223.3
76.2	64.8	194.3	79.0	237.1
78.2	67.1	201.2	81.1	243.2
83.2	71.5	214.4	87.0	261.1
88.2	75.5	226.6	92.1	276.3
95.2	81.4	244.1	98.5	295.5
100.2	85.4	256.3	104.2	312.6
105.2	90.3	270.8	109.3	327.8
110.2	93.8	281.4	114.4	343.2
117.2	100.7	302.2	122.6	367.7
124.2	105.4	316.1	128.3	385.0
130.3	110.3	330.9	134.5	403.4
137.3	117.7	353.2	143.3	429.8
143.3	122.5	367.4	149.2	447.6
147.3	125.9	377.7	153.2	459.7
153.3	131.3	394.0	159.4	478.1

OMEGA REV HE

Allowed flow rate range

	EVAPORATORS		CONDENSERS	
	Q	Qmin	Q	Qmax
	m ³ /h	m ³ /h	m ³ /h	m ³ /h
18.1	16.0	47.9	19.0	56.9
20.1	17.7	53.1	21.1	63.2
22.1	19.2	57.5	22.8	68.4
24.1	22.0	66.0	26.2	78.6
27.1	24.4	73.3	29.1	87.2
31.1	27.2	81.7	32.4	97.3
35.1	31.3	93.9	37.2	111.7
36.2	31.7	95.0	37.7	113.1
38.2	33.6	100.9	40.0	120.0
41.2	35.5	106.6	42.3	126.9
42.1	36.0	108.0	42.8	128.3
45.2	38.5	115.5	45.8	137.5
46.2	41.9	125.6	49.8	149.5
49.2	44.8	134.4	53.4	160.1
53.2	48.9	146.8	58.3	174.9
57.2	51.9	155.6	61.7	185.2
62.2	55.0	164.9	65.4	196.2
65.2	59.6	178.7	70.9	212.7
69.2	62.8	188.4	74.6	223.9
72.2	64.9	194.8	77.3	231.9
76.2	68.4	205.2	81.4	244.1
78.2	70.7	212.1	84.1	252.2
83.2	73.8	221.3	87.5	262.6
88.2	80.1	240.2	95.4	286.1
95.2	85.5	256.5	101.7	305.2
100.2	90.1	270.4	107.3	322.0
105.2	94.0	282.0	111.9	335.7
110.2	99.8	299.3	118.8	356.3
117.2	106.0	318.1	126.2	378.7
124.2	111.5	334.4	132.7	398.1
130.3	116.0	348.0	138.2	414.6
137.3	122.8	368.4	146.1	438.3
143.3	127.3	381.8	151.6	454.9
147.3	131.2	393.5	156.2	468.5
153.3	135.5	406.4	161.2	483.5

OMEGA REV LC

Allowed flow rate range

	EVAPORATORS	
	Q	Qmin
	m ³ /h	m ³ /h
18.1	12.3	37.0
20.1	14.8	44.3
22.1	15.5	46.5
24.1	18.4	55.2
27.1	20.3	61.0
31.1	22.9	68.6
35.1	24.4	73.1
36.2	25.2	75.6
38.2	27.7	83.0
41.2	29.2	87.7
42.1	29.3	88.0
45.2	31.6	94.9
46.2	34.6	103.7
49.2	36.6	109.9
53.2	40.0	120.0
57.2	43.5	130.6
62.2	46.5	139.5
65.2	48.0	143.9
69.2	49.4	148.3
72.2	53.3	160.0
76.2	55.1	165.2
78.2	57.2	171.5
83.2	60.0	179.9
88.2	66.1	198.4
95.2	71.6	214.9
100.2	77.0	231.0
105.2	80.9	242.7
110.2	85.2	255.7
117.2	91.3	274.0
124.2	95.6	286.8
130.3	99.2	297.7
137.3	103.4	310.1
143.3	109.3	327.8
147.3	111.8	335.3
153.3	116.7	350.0

NOISE LEVELS - OMEGA REV - OMEGA REV HE - OMEGA REV LC

MODEL	Octave bands [dB]																Total [dB(A)]	
	63 Hz		125 Hz		250 Hz		500 Hz		1000 Hz		2000 Hz		4000 Hz		8000 Hz			
	Lw	Lp	Lw	Lp	Lw	Lp	Lw	Lp	Lw	Lp	Lw	Lp	Lw	Lp	Lw	Lp	Lw	Lp
18.1	97	80	85	68	81	64	74	57	81	64	77	60	71	54	62	45	84	67
20.1	97	80	85	68	81	64	74	57	81	64	77	60	72	55	62	45	84	67
22.1	97	80	85	68	81	64	74	57	81	64	77	60	72	55	62	45	84	67
24.1	100	83	87	70	84	67	76	59	84	67	80	63	74	57	64	47	87	70
27.1	102	85	89	72	86	69	78	61	86	69	82	65	76	59	66	49	89	72
31.1	104	87	91	74	88	71	80	63	88	71	84	67	78	61	67	50	91	74
35.1	106	89	93	75	90	73	82	64	90	73	86	68	80	62	69	51	93	75
36.2	103	85	90	72	86	68	79	61	86	68	82	64	76	58	66	48	89	71
38.2	100	82	88	70	84	66	77	59	84	66	80	62	75	57	65	47	87	69
41.2	100	82	88	70	84	66	77	59	84	66	80	62	75	57	65	47	87	69
42.1	110	93	97	79	94	77	86	68	94	77	90	72	83	66	72	54	97	80
45.2	100	82	88	70	84	66	77	59	84	66	80	62	75	57	65	47	87	69
46.2	100	82	87	69	84	66	77	59	84	66	80	62	75	57	65	47	87	69
49.2	100	82	87	69	84	66	77	59	84	66	80	62	75	57	65	47	87	69
53.2	99	81	87	69	84	66	77	59	84	66	80	62	75	57	65	47	87	69
57.2	104	86	91	73	88	70	80	62	88	70	84	66	78	60	68	50	91	73
62.2	106	88	93	75	90	72	82	64	90	72	86	68	80	62	70	52	93	75
65.2	103	85	91	72	88	70	80	62	88	70	84	65	78	60	68	49	91	73
69.2	109	91	96	77	93	75	85	66	93	75	89	70	83	64	72	53	96	78
72.2	109	90	96	77	93	74	85	66	93	75	89	70	83	64	72	53	96	77
76.2	110	91	97	78	94	75	86	67	94	76	90	71	84	65	73	54	97	78
78.2	111	93	98	79	95	76	87	68	95	77	91	72	85	66	73	55	98	80
83.2	113	95	100	81	97	79	89	70	97	79	93	74	87	68	75	56	100	82
88.2	113	94	100	81	97	78	89	70	97	78	93	74	86	67	75	56	100	81
95.2	113	94	100	81	97	78	89	70	97	78	93	74	86	67	75	56	100	81
100.2	113	94	100	81	97	78	89	70	97	78	93	74	86	67	75	56	100	81
105.2	113	94	100	81	97	78	89	70	97	78	93	74	86	67	75	56	100	81
110.2	113	94	100	81	97	78	89	70	97	78	93	74	87	68	75	56	100	81
117.2	114	95	101	82	98	79	89	70	98	79	94	75	87	68	76	57	101	82
124.2	114	95	101	82	98	79	89	70	98	79	94	75	87	68	76	57	101	82
130.3	114	94	101	81	98	78	90	70	98	78	94	74	88	68	76	56	101	81
137.3	114	94	101	81	98	78	90	70	98	78	94	74	88	68	76	56	101	81
143.3	114	94	101	81	98	78	90	70	98	78	94	74	88	68	76	56	101	81
147.3	114	94	101	81	98	78	90	70	98	78	94	74	88	68	76	56	101	81
153.3	114	94	101	81	98	78	90	70	98	78	94	74	88	68	76	56	101	81

Reference conditions: Temperature input / outlet source 30/35°C. Temperature input / outlet user 12/7°C. Unit without accessories operating at nominal regime.

Lw: sound power levels obtained from measurements carried out in accordance with standard ISO 3744.

In particular, Lw tot is the only binding value and complies with the Eurovent certification programme (8/1) whereas applicable.

Lp: sound pressure levels referring to distance of 1 meter from the unit in free field with directivity factor Q=2. These values (including Lp tot) are calculated from the sound power levels and therefore are to be considered indicative and non-binding.

NOISE LEVELS - OMEGA REV LN - OMEGA REV HE LN - OMEGA REV LC LN

MODEL	Octave bands [dB]																Total [dB(A)]	
	63 Hz		125 Hz		250 Hz		500 Hz		1000 Hz		2000 Hz		4000 Hz		8000 Hz			
	Lw	Lp	Lw	Lp	Lw	Lp	Lw	Lp	Lw	Lp	Lw	Lp	Lw	Lp	Lw	Lp	Lw	Lp
18.1	91	74	79	62	76	59	69	52	76	59	72	55	67	50	58	41	79	62
20.1	91	74	79	62	76	59	69	52	76	59	72	55	67	50	58	41	79	62
22.1	91	74	79	62	76	59	69	52	76	59	72	55	67	50	58	41	79	62
24.1	94	77	82	65	79	62	72	55	79	62	75	58	70	53	60	43	82	65
27.1	96	79	84	67	81	64	74	57	81	64	77	60	72	55	62	45	84	67
31.1	98	81	86	69	83	66	75	58	83	66	79	62	73	56	63	46	86	69
35.1	100	83	88	70	85	67	77	60	85	68	81	63	75	58	65	47	88	70
36.2	97	79	85	67	81	63	74	56	81	63	77	59	72	54	63	45	84	66
38.2	94	76	82	64	79	61	72	54	79	61	75	57	70	52	61	43	82	64
41.2	94	76	82	64	79	61	72	54	79	61	75	57	70	52	61	43	82	64
42.1	105	87	92	74	89	71	81	63	89	72	85	67	79	61	68	51	92	75
45.2	94	76	82	64	79	61	72	54	79	61	75	57	70	52	61	43	82	64
46.2	94	76	82	64	79	61	72	54	79	61	75	57	70	52	61	43	82	64
49.2	93	75	82	64	79	61	72	54	79	61	75	57	70	52	61	43	82	64
53.2	93	75	82	64	79	61	72	54	79	61	75	57	70	52	61	43	82	64
57.2	98	80	86	68	83	65	76	58	83	65	79	61	74	56	64	46	86	68
62.2	100	82	88	70	85	67	78	60	85	67	81	63	76	58	66	48	88	70
65.2	97	79	86	67	83	64	76	57	83	64	79	60	74	55	64	45	86	67
69.2	103	85	91	72	88	69	80	62	88	70	84	65	78	60	68	49	91	73
72.2	103	84	91	72	88	69	80	62	88	70	84	65	78	60	68	49	91	73
76.2	104	85	92	73	89	70	81	63	89	71	85	66	79	61	69	50	92	73
78.2	105	87	93	74	90	71	82	64	90	72	86	67	80	62	69	51	93	75
83.2	107	89	95	76	92	73	84	65	92	74	88	69	82	63	71	53	95	77
88.2	107	88	95	76	92	73	84	65	92	73	88	69	82	63	71	52	95	76
95.2	107	88	95	76	92	73	84	65	92	73	88	69	82	63	71	52	95	76
100.2	107	88	95	76	92	73	84	65	92	73	88	69	82	63	71	52	95	76
105.2	107	88	95	76	92	73	84	65	92	73	88	69	82	63	71	52	95	76
110.2	107	88	94	75	92	73	84	65	92	73	88	69	82	63	71	52	95	76
117.2	108	89	95	76	93	74	85	66	93	74	89	70	83	64	72	53	96	77
124.2	108	89	95	76	93	74	85	66	93	74	89	70	83	64	72	53	96	77
130.3	108	88	96	76	93	73	85	65	93	73	89	69	83	63	72	52	96	76
137.3	108	88	96	76	93	73	85	65	93	73	89	69	83	63	72	52	96	76
143.3	108	88	96	76	93	73	85	65	93	73	89	69	83	63	72	52	96	76
147.3	108	88	96	76	93	73	85	65	93	73	89	69	83	63	72	52	96	76
153.3	108	88	96	76	93	73	85	65	93	73	89	69	83	63	72	52	96	76

Reference conditions: Temperature input / outlet source 30/35°C. Temperature input / outlet user 12/7°C. Unit without accessories operating at nominal regime.

Lw: sound power levels obtained from measurements carried out in accordance with standard ISO 3744.

In particular, Lw tot is the only binding value and complies with the Eurovent certification programme (8/1) whereas applicable.

Lp: sound pressure levels referring to distance of 1 meter from the unit in free field with directivity factor Q=2. These values (including Lp tot) are calculated from the sound power levels and therefore are to be considered indicative and non-binding.

NOISE LEVELS - OMEGA REV SLN - OMEGA REV HE SLN - OMEGA REV LC SLN

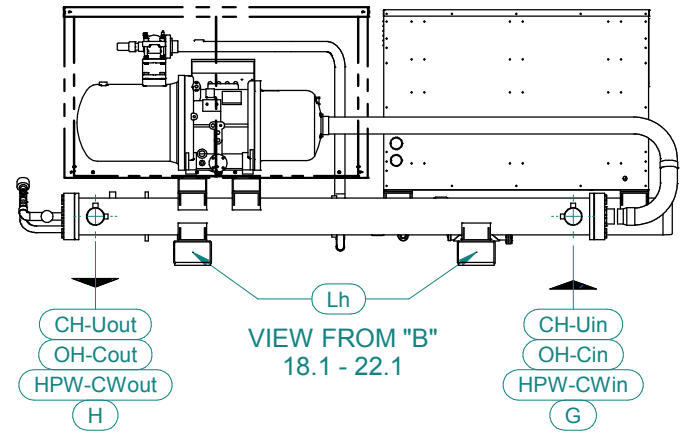
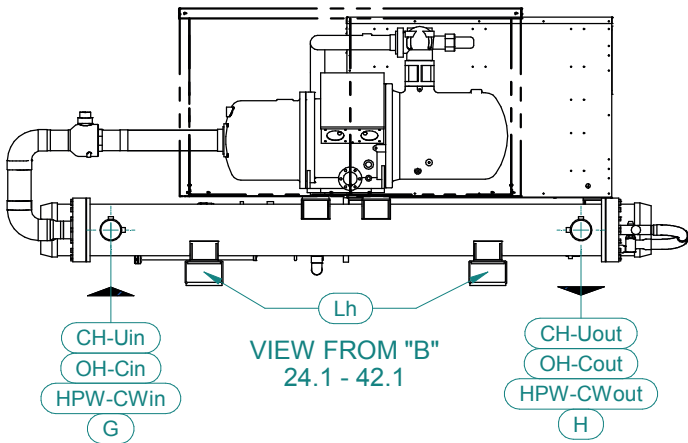
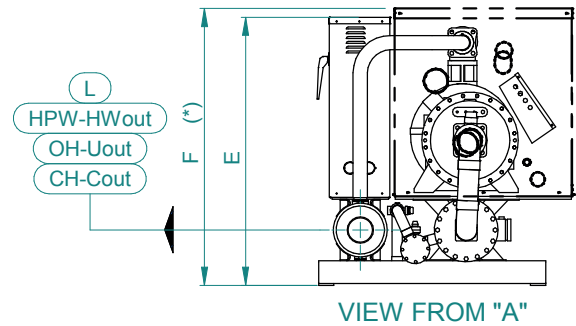
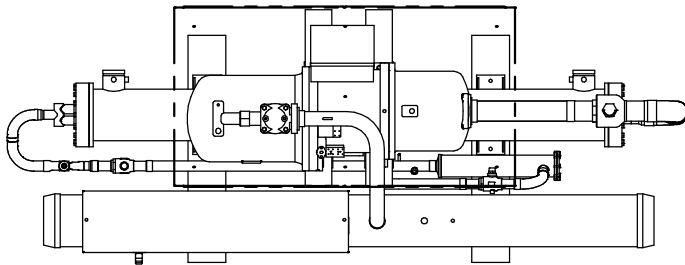
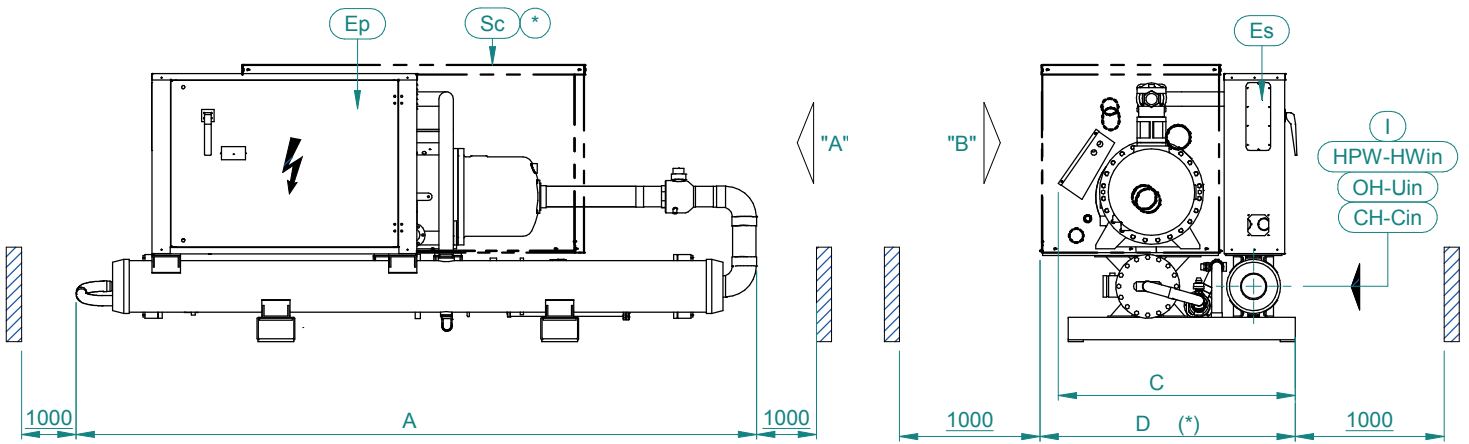
MODEL	Octave bands [dB]																Total [dB(A)]	
	63 Hz		125 Hz		250 Hz		500 Hz		1000 Hz		2000 Hz		4000 Hz		8000 Hz			
	Lw	Lp	Lw	Lp	Lw	Lp	Lw	Lp	Lw	Lp	Lw	Lp	Lw	Lp	Lw	Lp	Lw	Lp
18.1	89	72	77	60	74	57	67	50	74	57	70	53	65	48	56	39	77	60
20.1	89	72	77	60	74	57	67	50	74	57	70	53	65	48	56	39	77	60
22.1	88	71	77	60	74	57	67	50	74	57	70	53	65	48	56	39	77	60
24.1	92	75	80	63	77	60	70	53	77	60	73	56	68	51	59	42	80	63
27.1	94	77	82	65	79	62	72	55	79	62	75	58	70	53	60	43	82	65
31.1	96	79	84	67	81	64	74	57	81	64	77	60	72	55	62	45	84	67
35.1	98	81	86	69	83	66	75	58	83	66	79	62	73	56	63	46	86	68
36.2	94	77	83	66	79	62	72	55	79	62	75	58	70	53	61	44	82	64
38.2	92	75	80	63	77	60	70	53	77	60	73	56	68	51	59	42	80	62
41.2	92	75	80	63	77	60	70	53	77	60	73	56	68	51	59	42	80	62
42.1	102	85	90	73	87	70	79	62	87	70	83	66	77	60	66	49	90	73
45.2	92	75	80	63	77	60	70	53	77	60	73	56	68	51	59	42	80	62
46.2	91	74	80	63	77	60	70	53	77	60	73	56	68	51	59	42	80	62
49.2	91	74	80	63	77	60	70	53	77	60	73	56	68	51	59	42	80	62
53.2	91	74	80	63	77	60	70	53	77	60	73	56	68	51	59	42	80	62
57.2	95	78	84	67	81	64	74	57	81	64	77	60	72	55	62	45	84	66
62.2	97	80	86	69	83	66	76	59	83	66	79	62	74	57	64	47	86	68
65.2	95	78	83	66	81	64	74	57	81	64	77	60	72	55	62	45	84	65
69.2	101	84	89	72	86	69	78	61	86	69	82	65	76	59	66	49	89	70
72.2	101	84	89	72	86	69	78	61	86	69	82	65	77	60	66	49	89	70
76.2	102	85	90	73	87	70	79	62	87	70	83	66	77	60	67	50	90	71
78.2	103	86	91	74	88	71	80	63	88	71	84	67	78	61	68	51	91	73
83.2	105	88	93	76	90	73	82	65	90	73	86	69	80	63	69	52	93	74
88.2	105	88	92	75	90	73	82	65	90	73	86	69	80	63	69	52	93	74
95.2	105	88	92	75	90	73	82	65	90	73	86	69	80	63	69	52	93	74
100.2	105	88	92	75	90	73	82	65	90	73	86	69	80	63	69	52	93	74
105.2	105	88	92	75	90	73	82	65	90	73	86	69	80	63	69	52	93	74
110.2	105	88	92	75	90	73	82	65	90	73	86	69	80	63	69	52	93	74
117.2	106	89	93	76	91	74	83	66	91	74	87	70	81	64	70	53	94	75
124.2	106	89	93	76	91	74	83	66	91	74	87	70	81	64	70	53	94	75
130.3	106	89	93	76	91	74	83	66	91	74	87	70	81	64	71	54	94	74
137.3	106	89	93	76	91	74	83	66	91	74	87	70	81	64	71	54	94	74
143.3	106	89	93	76	91	74	83	66	91	74	87	70	81	64	71	54	94	74
147.3	106	89	93	76	91	74	83	66	91	74	87	70	81	64	71	54	94	74
153.3	106	89	93	76	91	74	83	66	91	74	87	70	81	64	71	54	94	74

Reference conditions: Temperature input / outlet source 30/35°C. Temperature input / outlet user 12/7°C. Unit without accessories operating at nominal regime.
 Lw: sound power levels obtained from measurements carried out in accordance with standard ISO 3744.
 In particular, Lw tot is the only binding value and complies with the Eurovent certification programme (8/1) whereas applicable.
 Lp: sound pressure levels referring to distance of 1 meter from the unit in free field with directivity factor Q=2. These values (including Lp tot) are calculated from the sound power levels and therefore are to be considered indicative and non-binding.

DIMENSIONAL DIAGRAMS

OMEGA REV CH-OH-HPW (unit feat. 1 compressor)

A4G530-A



N.B: This drawing is referred to standard version; the overall dimensions and the weight could slightly change in case of DC, DS and compressor suction valve options.

(*) WITH SOUNDPROOF CASING

* OPTIONAL

size	Dimensions						Connection			
	A	B	C	D	E	F	G	H	I	L
18.1	3483	/	900	955	1352	1370	OD 88.9	OD 88.9	OD 114.3	OD 114.3
20.1	3483	/	900	955	1352	1370	OD 88.9	OD 88.9	OD 114.3	OD 114.3
22.1	3483	/	900	955	1352	1370	OD 88.9	OD 88.9	OD 114.3	OD 114.3
24.1	2437	/	1200	1340	1460	1460	OD 114.3	OD 114.3	OD 114.3	OD 114.3
27.1	2437	/	1200	1340	1460	1460	OD 114.3	OD 114.3	OD 114.3	OD 114.3
31.1	2437	/	1200	1340	1460	1460	OD 114.3	OD 114.3	OD 114.3	OD 114.3
35.1	3488	/	1250	1350	1390	1464	OD 114.3	OD 114.3	OD 114.3	OD 114.3
42.1	3598	/	1253	1350	1418	1464	OD 114.3	OD 114.3	OD 139.7	OD 139.7

DIMENSIONAL DIAGRAMS

OMEGA REV CH-OH-HPW (unit feat. 1 compressor)

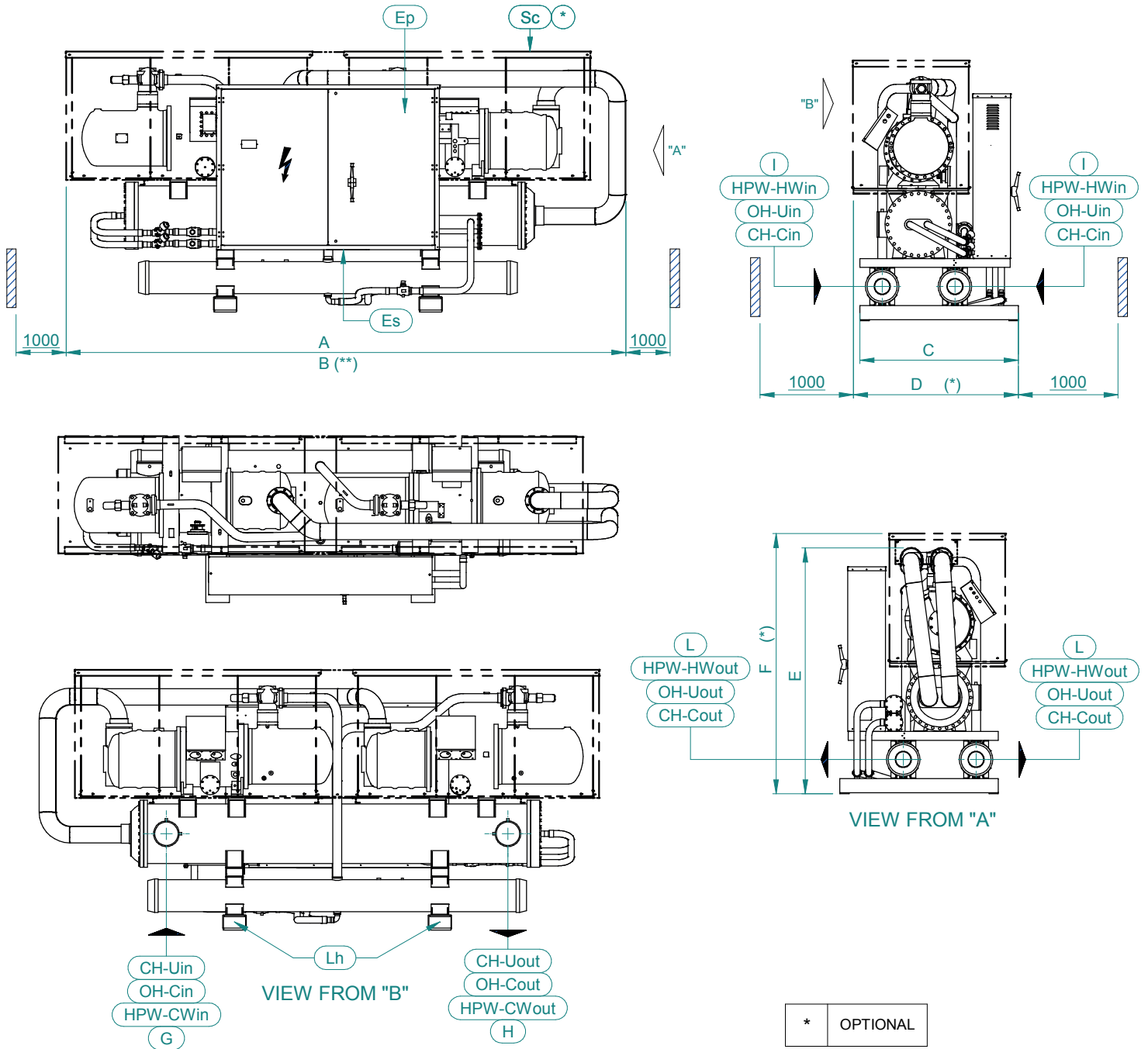
A4G530-A

MODEL	WEIGHT(kg)	OPERATING WEIGHT (kg)
OMEGA REV 18.1 CH-OH-HPW	1152	1224
OMEGA REV 18.1 CH-OH-HPW_LN-SLN	1351	1423
OMEGA REV 20.1 CH-OH-HPW	1244	1318
OMEGA REV 20.1 CH-OH-HPW_LN-SLN	1445	1519
OMEGA REV 22.1 CH-OH-HPW	1223	1297
OMEGA REV 22.1 CH-OH-HPW_LN-SLN	1423	1497
MODEL	WEIGHT(kg)	OPERATING WEIGHT (kg)
OMEGA REV 24.1 CH-OH-HPW	1373	1471
OMEGA REV 24.1 CH-OH-HPW_LN-SLN	1573	1671
OMEGA REV 27.1 CH-OH-HPW	1498	1596
OMEGA REV 27.1 CH-OH-HPW_LN-SLN	1697	1795
OMEGA REV 31.1 CH-OH-HPW	1570	1669
OMEGA REV 31.1 CH-OH-HPW_LN-SLN	1771	1870
MODEL	WEIGHT(kg)	OPERATING WEIGHT (kg)
OMEGA REV 35.1 CH-OH-HPW	1509	1648
OMEGA REV 35.1 CH-OH-HPW_LN-SLN	1769	1908
MODEL	WEIGHT(kg)	OPERATING WEIGHT (kg)
OMEGA REV 42.1 CH-OH-HPW	1631	1779
OMEGA REV 42.1 CH-OH-HPW_LN-SLN	1891	2039

DIMENSIONAL DIAGRAMS

OMEGA REV CH-OH-HPW (unit feat. 2 compressors)

A4G531-A



N.B: This drawing is referred to standard version; the overall dimensions and the weight could slightly change in case of DC, DS and compressor suction valve options.

Size	Dimensions						Connections			
	A	B	C	D	E	F	G	H	I	L
36.2 - 38.2 - 41.2 - 45.2	3628	3950	1250	1380	1579	1707	OD 114.3	OD 114.3	OD 114.3	OD 114.3
46.2 - 49.2 - 53.2	3638	4130	1280	1380	1684	1745	OD 139.7	OD 139.7	OD 114.3	OD 114.3
57.2 - 62.2	3638	4130	1280	1380	1684	1745	OD 139.7	OD 139.7	OD 114.3	OD 114.3
65.2 - 69.2	4062	4620	1280	1380	1902	1975	OD 168.3	OD 168.3	OD 114.3	OD 114.3
72.2 - 76.2 - 78.2 - 83.2	4057	4620	1280	1380	1948	2043	OD 168.3	OD 168.3	OD 139.7	OD 139.7
88.2 - 95.2 - 100.2 - 105.2	4721	4721	1390	1470	2022	2143	OD 168.3	OD 168.3	OD 139.7	OD 139.7
110.2 - 117.2 - 124.2	4770	4770	1350	1408	2095	2219	OD 219.1	OD 219.1	OD 139.7	OD 139.7

DIMENSIONAL DIAGRAMS

OMEGA REV CH-OH-HPW (unit feat. 2 compressors)

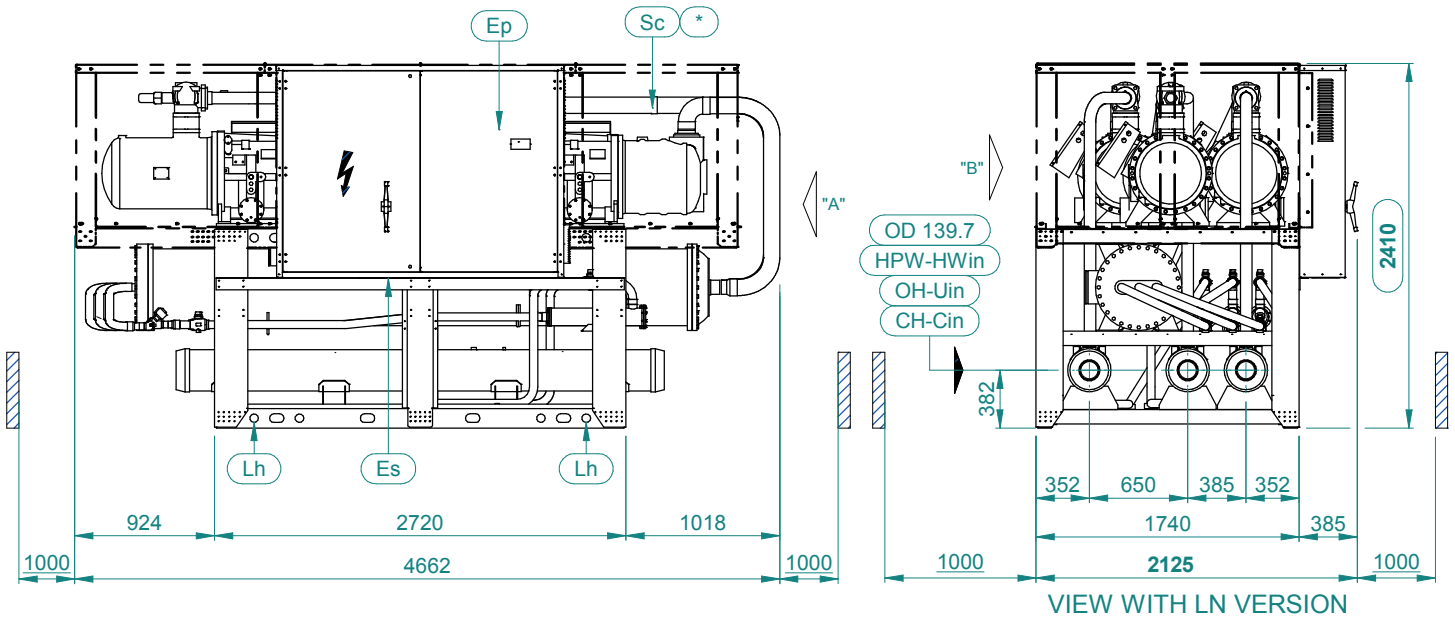
A4G531-A

MODEL	WEIGHT(kg)	OPERATING WEIGHT (kg)
OMEGA REV 36.2 CH-OH-HPW	1954	2097
OMEGA REV 36.2 CH-OH-HPW_LN-SLN	2304	2447
OMEGA REV 38.2 CH-OH-HPW	2051	2192
OMEGA REV 38.2 CH-OH-HPW_LN-SLN	2400	2541
OMEGA REV 41.2 CH-OH-HPW	2142	2285
OMEGA REV 41.2 CH-OH-HPW_LN-SLN	2493	2636
OMEGA REV 45.2 CH-OH-HPW	2100	2243
OMEGA REV 45.2 CH-OH-HPW_LN-SLN	2451	2594
MODEL	WEIGHT(kg)	OPERATING WEIGHT (kg)
OMEGA REV 46.2 CH-OH-HPW	2228	2431
OMEGA REV 46.2 CH-OH-HPW_LN-SLN	2578	2781
OMEGA REV 49.2 CH-OH-HPW	2264	2469
OMEGA REV 49.2 CH-OH-HPW_LN-SLN	2615	2820
OMEGA REV 53.2 CH-OH-HPW	2524	2730
OMEGA REV 53.2 CH-OH-HPW_LN-SLN	2874	3080
OMEGA REV 57.2 CH-OH-HPW	2601	2807
OMEGA REV 57.2 CH-OH-HPW_LN-SLN	2952	3158
OMEGA REV 62.2 CH-OH-HPW	2678	2887
OMEGA REV 62.2 CH-OH-HPW_LN-SLN	3029	3238
MODEL	WEIGHT(kg)	OPERATING WEIGHT (kg)
OMEGA REV 65.2 CH-OH-HPW	2816	3138
OMEGA REV 65.2 CH-OH-HPW_LN-SLN	3216	3538
OMEGA REV 69.2 CH-OH-HPW	2775	3097
OMEGA REV 69.2 CH-OH-HPW_LN-SLN	3175	3497
MODEL	WEIGHT(kg)	OPERATING WEIGHT (kg)
OMEGA REV 72.2 CH-OH-HPW	2987	3303
OMEGA REV 72.2 CH-OH-HPW_LN-SLN	3385	3701
OMEGA REV 76.2 CH-OH-HPW	3052	3371
OMEGA REV 76.2 CH-OH-HPW_LN-SLN	3452	3771
OMEGA REV 78.2 CH-OH-HPW	3043	3365
OMEGA REV 78.2 CH-OH-HPW_LN-SLN	3443	3765
OMEGA REV 83.2 CH-OH-HPW	3043	3354
OMEGA REV 83.2 CH-OH-HPW_LN-SLN	3443	3754
MODEL	WEIGHT(kg)	OPERATING WEIGHT (kg)
OMEGA REV 88.2 CH-OH-HPW	3612	3976
OMEGA REV 88.2 CH-OH-HPW_LN-SLN	4132	4496
OMEGA REV 95.2 CH-OH-HPW	3712	4079
OMEGA REV 95.2 CH-OH-HPW_LN-SLN	4231	4598
OMEGA REV 100.2 CH-OH-HPW	3818	4179
OMEGA REV 100.2 CH-OH-HPW_LN-SLN	4338	4699
OMEGA REV 105.2 CH-OH-HPW	3914	4278
OMEGA REV 105.2 CH-OH-HPW_LN-SLN	4434	4798
MODEL	WEIGHT(kg)	OPERATING WEIGHT (kg)
OMEGA REV 110.2 CH-OH-HPW	4146	4721
OMEGA REV 110.2 CH-OH-HPW_LN-SLN	4596	5171
OMEGA REV 117.2 CH-OH-HPW	4193	4771
OMEGA REV 117.2 CH-OH-HPW_LN-SLN	4593	5171
OMEGA REV 124.2 CH-OH-HPW	4229	4810
OMEGA REV 124.2 CH-OH-HPW_LN-SLN	4630	5211

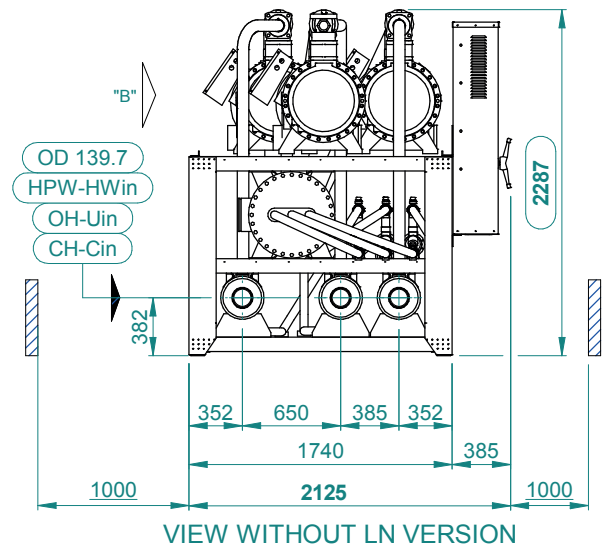
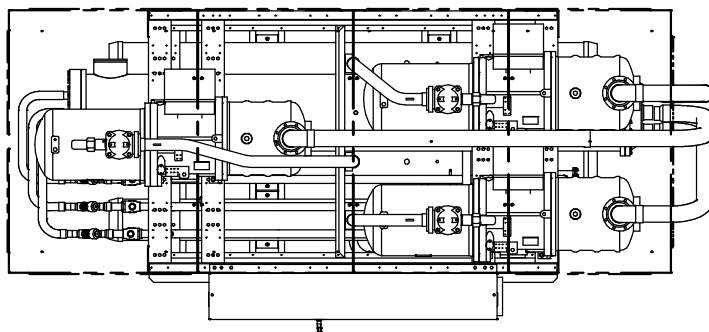
DIMENSIONAL DIAGRAMS

OMEGA REV CH-OH-HPW (unit feat. 3 compressors)

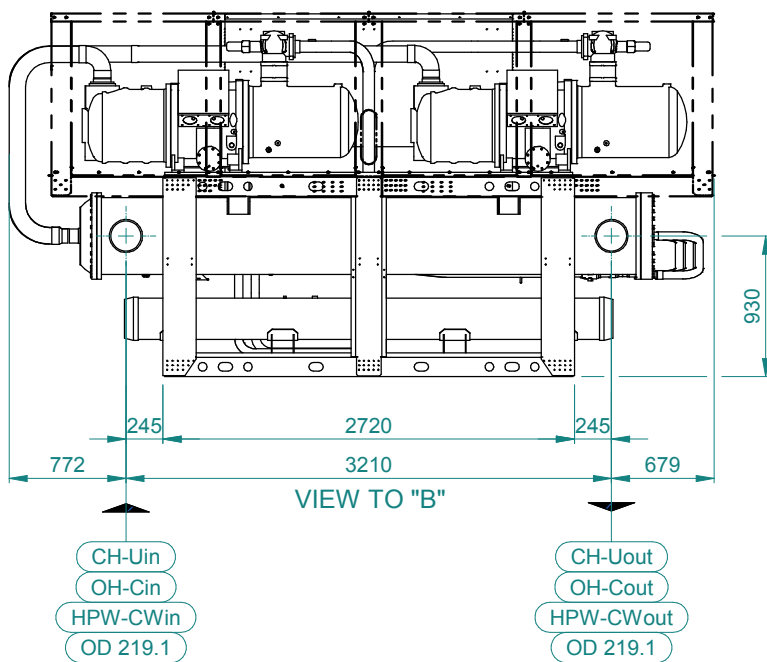
A4G371-A



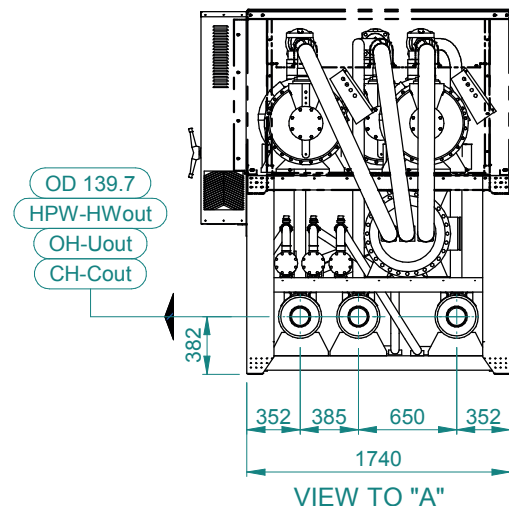
VIEW WITH LN VERSION



VIEW WITHOUT LN VERSION



VIEW TO "B"



VIEW TO "A"

N.B: This drawing is referred to standard version; the overall dimensions and the weight could slightly change in case of DC, DS and compressor suction valve options.

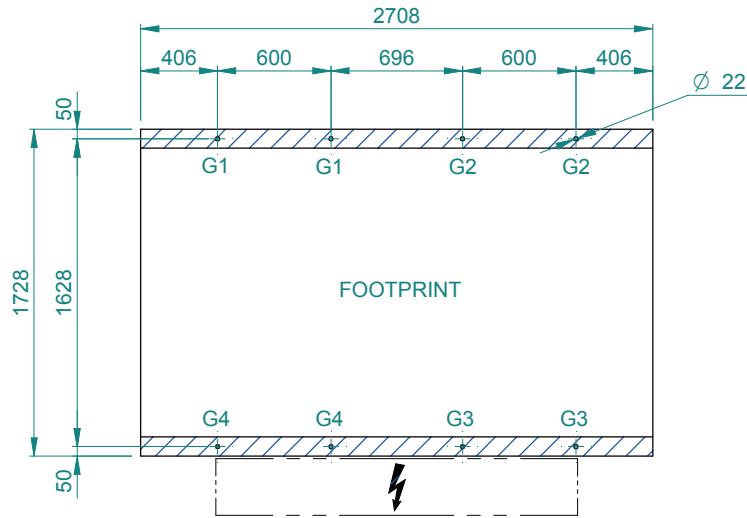
(*) WITH SOUNDPROOF CASING

*	OPTIONAL
---	----------

DIMENSIONAL DIAGRAMS

OMEGA REV CH-OH-HPW (unit feat. 3 compressors)

A4G371-A

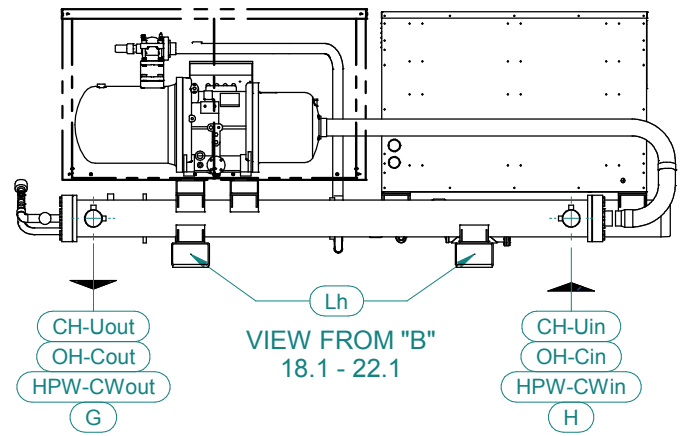
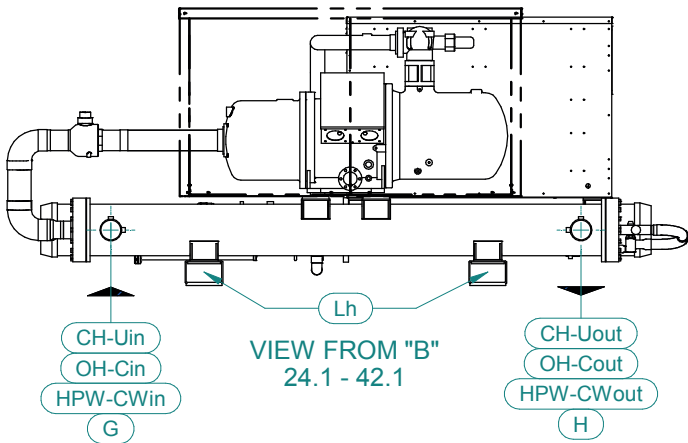
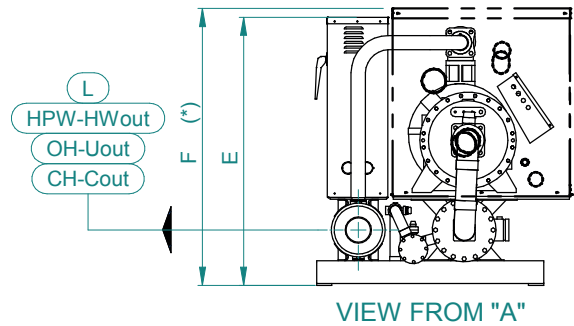
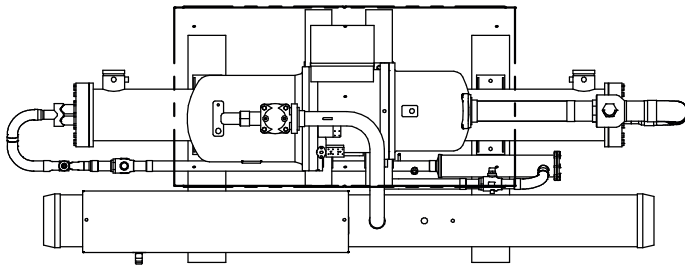
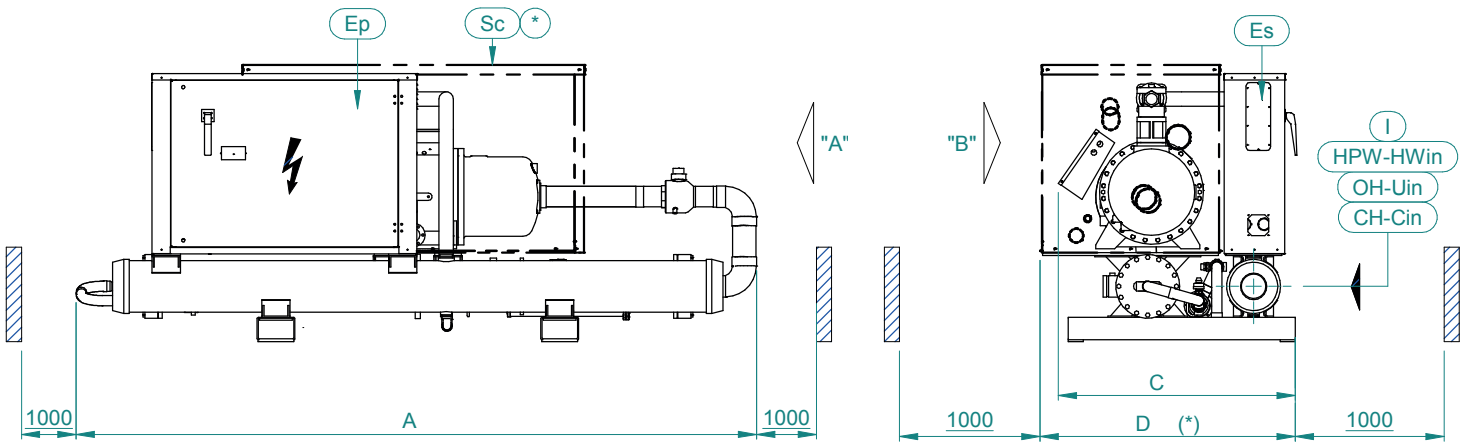


MODEL	WEIGHT(kg)	OPERATING WEIGHT (kg)	G1 (kg)	G2 (kg)	G3 (kg)	G4 (kg)
OMEGA REV 130.3 CH- OH -HPW	6024	6630	586	961	1099	669
OMEGA REV 137.3 CH- OH -HPW	6187	6796	583	1024	1141	650
OMEGA REV 143.3 CH- OH -HPW	6352	6964	636	1013	1126	707
OMEGA REV 147.3 CH- OH -HPW	6413	7028	633	1025	1147	709
OMEGA REV 153.3 CH- OH -HPW	6464	7082	634	1042	1160	705
OMEGA REV 130.3 CH- OH -HPW_LN-SLN	6906	7512	718	1062	1179	797
OMEGA REV 137.3 CH- OH -HPW_LN-SLN	7071	7680	716	1124	1222	778
OMEGA REV 143.3 CH- OH -HPW_LN-SLN	7234	7846	769	1113	1207	834
OMEGA REV 147.3 CH- OH -HPW_LN-SLN	7295	7910	766	1125	1228	836
OMEGA REV 153.3 CH- OH -HPW_LN-SLN	7348	7966	767	1142	1241	833

DIMENSIONAL DIAGRAMS

OMEGA REV HE-HE/OH-HE/HPW (unit feat. 1 compressor)

A4G432-A



N.B: This drawing is referred to standard version; the overall dimensions and the weight could slightly change in case of DC, DS and compressor suction valve options.

(*) WITH SOUNDPROOF CASING

* OPTIONAL

	Dimensions						Connection			
	A	B	C	D	E	F	G	H	I	L
18.1	3476	/	900	955	1352	1370	OD 88.9	OD 88.9	OD 114.3	OD 114.3
20.1	3476	/	900	955	1352	1370	OD 88.9	OD 88.9	OD 114.3	OD 114.3
22.1	3620	/	900	955	1427	1445	OD 88.9	OD 88.9	OD 114.3	OD 114.3
24.1	2437	/	1200	1340	1460	1460	OD 114.3	OD 114.3	OD 114.3	OD 114.3
27.1	2690	/	1280	1420	1593	1593	OD 114.3	OD 114.3	OD 139.7	OD 139.7
31.1	2690	/	1280	1420	1593	1593	OD 114.3	OD 114.3	OD 139.7	OD 139.7
35.1	3630	/	1250	1350	1390	1464	OD 114.3	OD 114.3	OD 114.3	OD 114.3
42.1	3700	/	1253	1350	1418	1464	OD 114.3	OD 114.3	OD 114.3	OD 114.3

DIMENSIONAL DIAGRAMS

OMEGA REV HE-HE/OH-HE/HPW (unit feat. 1 compressor)

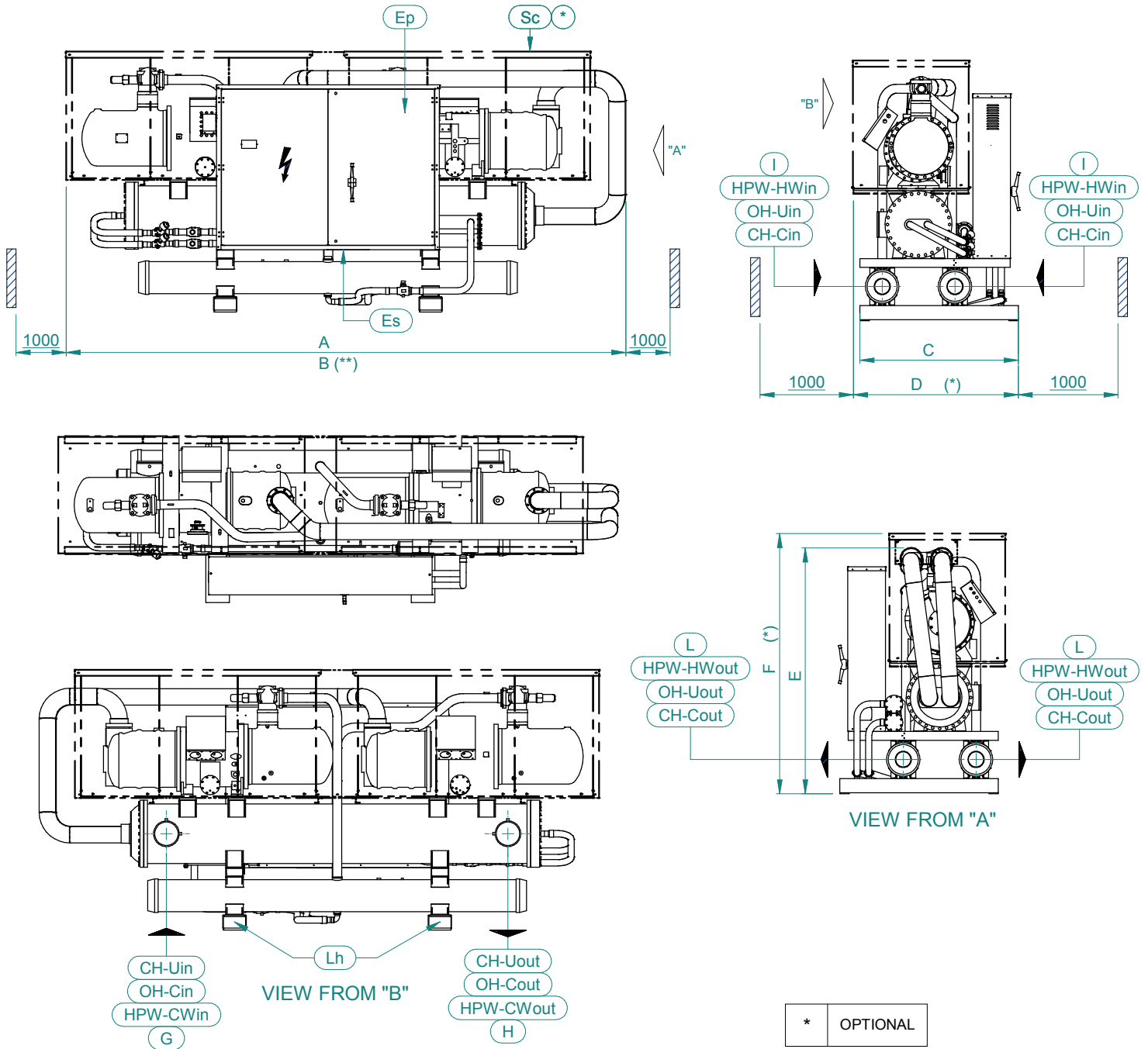
A4G432-A

MODEL	WEIGHT(kg)	OPERATING WEIGHT (kg)
OMEGA REV HE 18.1 CH-OH-HPW	1169	1249
OMEGA REV HE 18.1 CH-OH-HPW_LN-SLN	1370	1450
OMEGA REV HE 20.1 CH-OH-HPW	1263	1343
OMEGA REV HE 20.1 CH-OH-HPW_LN-SLN	1464	1544
OMEGA REV HE 22.1 CH-OH-HPW	1345	1463
OMEGA REV HE 22.1 CH-OH-HPW_LN-SLN	1545	1663
MODEL	WEIGHT(kg)	OPERATING WEIGHT (kg)
OMEGA REV HE 24.1 CH-OH-HPW	1425	1534
OMEGA REV HE 24.1 CH-OH-HPW_LN-SLN	1624	1733
OMEGA REV HE 27.1 CH-OH-HPW	1845	1977
OMEGA REV HE 27.1 CH-OH-HPW_LN-SLN	2046	2178
OMEGA REV HE 31.1 CH-OH-HPW	1923	2060
OMEGA REV HE 31.1 CH-OH-HPW_LN-SLN	2124	2261
MODEL	WEIGHT(kg)	OPERATING WEIGHT (kg)
OMEGA REV HE 35.1 CH-OH-HPW	1613	1790
OMEGA REV HE 35.1 CH-OH-HPW_LN-SLN	1873	2050
MODEL	WEIGHT(kg)	OPERATING WEIGHT (kg)
OMEGA REV HE 42.1 CH-OH-HPW	1659	1836
OMEGA REV HE 42.1 CH-OH-HPW_LN-SLN	1919	2096

DIMENSIONAL DIAGRAMS

OMEGA REV HE-HE/OH-HE/HPW (unit feat. 2 compressors)

A4G435-A



N.B: This drawing is referred to standard version; the overall dimensions and the weight could slightly change in case of DC, DS and compressor suction valve options.

Size	Dimensions						Connections			
	A	B	C	D	E	F	G	H	I	L
36.2 - 38.2 - 41.2 - 45.2	3770	4092	1250	1380	1655	1785	OD 114.3	OD 114.3	OD 114.3	OD 114.3
46.2 - 49.2 - 53.2	3780	4272	1280	1380	1759	1820	OD 139.7	OD 139.7	OD 114.3	OD 114.3
57.2 - 62.2	3758	4250	1280	1380	1813	1874	OD 139.7	OD 139.7	OD 139.7	OD 139.7
65.2 - 69.2	4182	4740	1280	1380	2030	2110	OD 168.3	OD 168.3	OD 139.7	OD 139.7
72.2 - 76.2 - 78.2 - 83.2	4175	4738	1280	1380	1950	2043	OD 168.3	OD 168.3	OD 114.3	OD 114.3
88.2 - 95.2 - 100.2 - 105.2	4820	4820	1390	1470	2022	2143	OD 168.3	OD 168.3	OD 139.7	OD 139.7
110.2 - 117.2 - 124.2	4860	4860	1350	1405	2100	2220	OD 219.1	OD 219.1	OD 139.7	OD 139.7

DIMENSIONAL DIAGRAMS

OMEGA REV HE-HE/OH-HE/HPW (unit feat. 2 compressors)

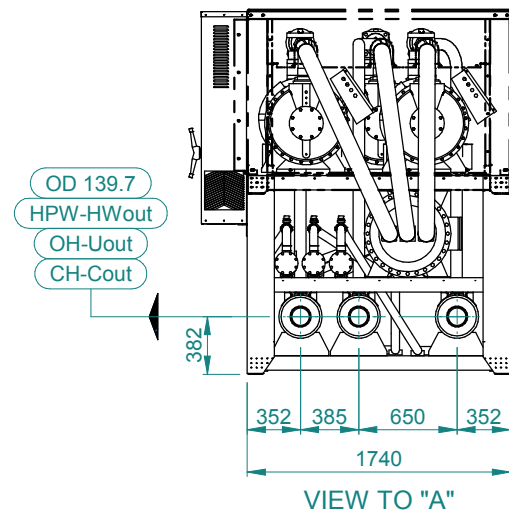
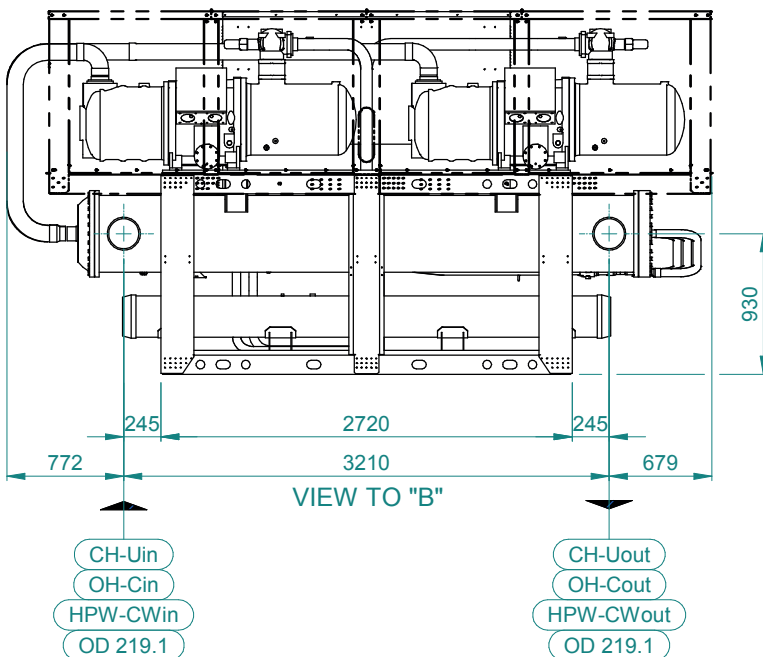
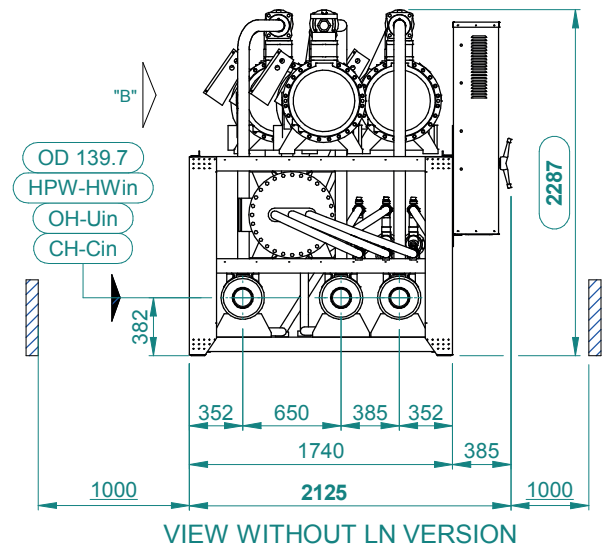
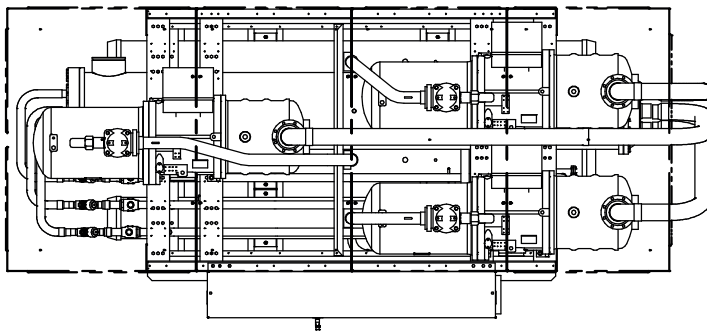
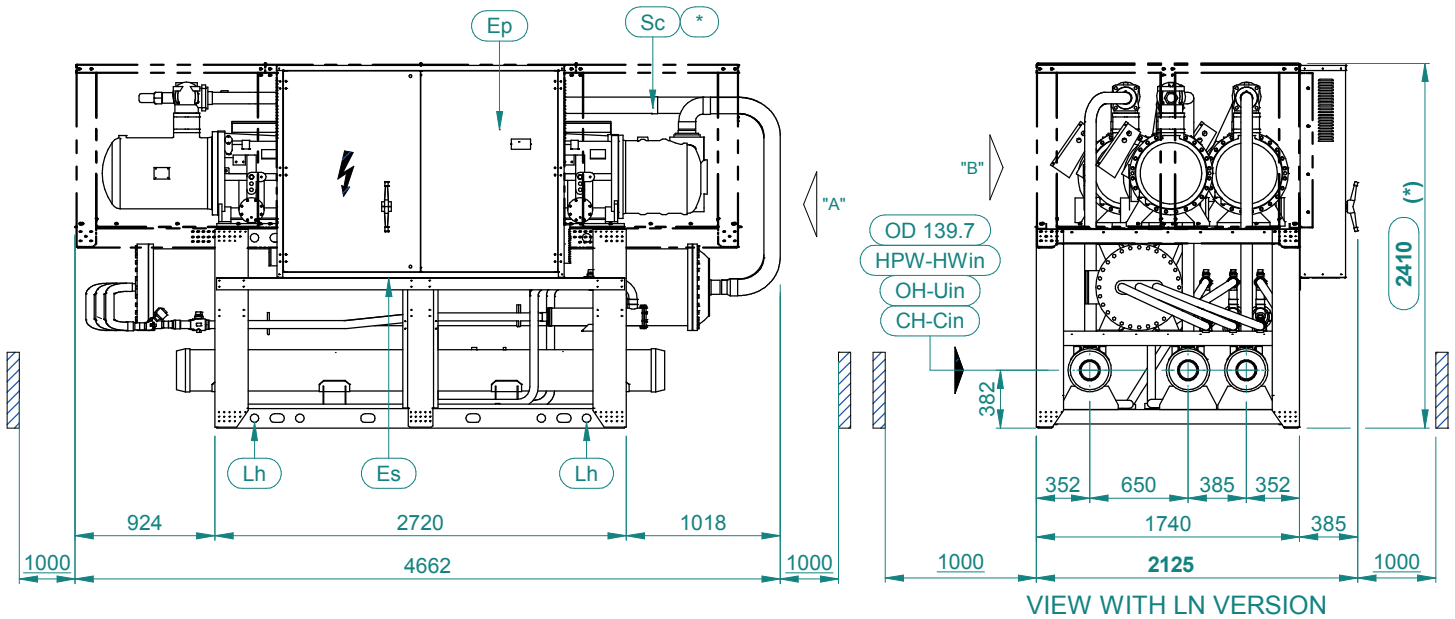
A4G435-A

MODEL	WEIGHT(kg)	OPERATING WEIGHT (kg)
OMEGA REV HE 36.2 CH-OH-HPW	2186	2429
OMEGA REV HE 36.2 CH-OH-HPW_LN-SLN	2537	2780
OMEGA REV HE 38.2 CH-OH-HPW	2277	2515
OMEGA REV HE 38.2 CH-OH-HPW_LN-SLN	2627	2865
OMEGA REV HE 41.2 CH-OH-HPW	2362	2600
OMEGA REV HE 41.2 CH-OH-HPW_LN-SLN	2712	2950
OMEGA REV HE 45.2 CH-OH-HPW	2333	2565
OMEGA REV HE 45.2 CH-OH-HPW_LN-SLN	2683	2915
OMEGA REV HE 46.2 CH-OH-HPW	2424	2723
OMEGA REV HE 46.2 CH-OH-HPW_LN-SLN	2774	3073
OMEGA REV HE 49.2 CH-OH-HPW	2461	2764
OMEGA REV HE 49.2 CH-OH-HPW_LN-SLN	2811	3114
OMEGA REV HE 53.2 CH-OH-HPW	2741	3029
OMEGA REV HE 53.2 CH-OH-HPW_LN-SLN	3092	3380
OMEGA REV HE 57.2 CH-OH-HPW	2894	3161
OMEGA REV HE 57.2 CH-OH-HPW_LN-SLN	3243	3510
OMEGA REV HE 62.2 CH-OH-HPW	2977	3250
OMEGA REV HE 62.2 CH-OH-HPW_LN-SLN	3326	3599
OMEGA REV HE 65.2 CH-OH-HPW	3071	3437
OMEGA REV HE 65.2 CH-OH-HPW_LN-SLN	3471	3837
OMEGA REV HE 69.2 CH-OH-HPW	3051	3426
OMEGA REV HE 69.2 CH-OH-HPW_LN-SLN	3450	3825
OMEGA REV HE 72.2 CH-OH-HPW	3058	3441
OMEGA REV HE 72.2 CH-OH-HPW_LN-SLN	3458	3841
OMEGA REV HE 76.2 CH-OH-HPW	3118	3501
OMEGA REV HE 76.2 CH-OH-HPW_LN-SLN	3518	3901
OMEGA REV HE 78.2 CH-OH-HPW	3103	3486
OMEGA REV HE 78.2 CH-OH-HPW_LN-SLN	3503	3886
OMEGA REV HE 83.2 CH-OH-HPW	3097	3466
OMEGA REV HE 83.2 CH-OH-HPW_LN-SLN	3497	3866
OMEGA REV HE 88.2 CH-OH-HPW	3746	4150
OMEGA REV HE 88.2 CH-OH-HPW_LN-SLN	4266	4670
OMEGA REV HE 95.2 CH-OH-HPW	3858	4271
OMEGA REV HE 95.2 CH-OH-HPW_LN-SLN	4379	4792
OMEGA REV HE 100.2 CH-OH-HPW	3976	4389
OMEGA REV HE 100.2 CH-OH-HPW_LN-SLN	4496	4909
OMEGA REV HE 105.2 CH-OH-HPW	4084	4506
OMEGA REV HE 105.2 CH-OH-HPW_LN-SLN	4605	5027
OMEGA REV HE 110.2 CH-OH-HPW	4281	4898
OMEGA REV HE 110.2 CH-OH-HPW_LN-SLN	4730	5347
OMEGA REV HE 117.2 CH-OH-HPW	4330	4952
OMEGA REV HE 117.2 CH-OH-HPW_LN-SLN	4730	5352
OMEGA REV HE 124.2 CH-OH-HPW	4369	4996
OMEGA REV HE 124.2 CH-OH-HPW_LN-SLN	4770	5397

DIMENSIONAL DIAGRAMS

OMEGA REV HE-HE/OH-HE/HPW (unit feat. 3 compressors)

A4G436-A



N.B: This drawing is referred to standard version; the overall dimensions and the weight could slightly change in case of DC, DS and compressor suction valve options.

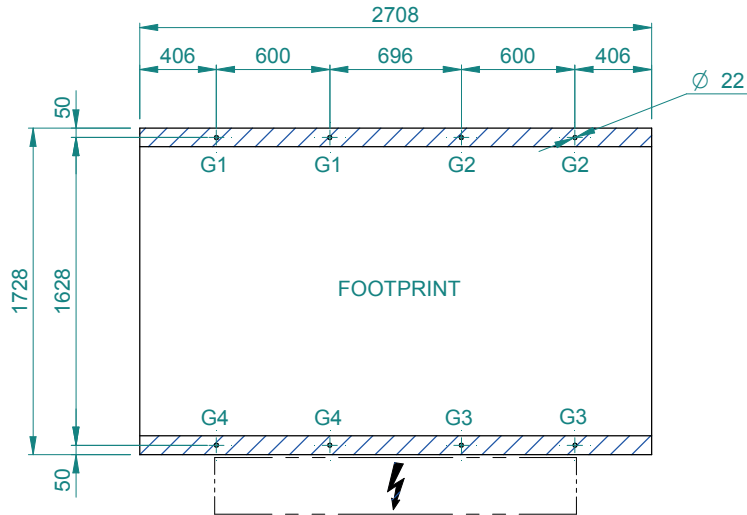
(*) WITH SOUNDPROOF CASING

*	OPTIONAL
---	----------

DIMENSIONAL DIAGRAMS

OMEGA REV HE-HE/OH-HE/HPW (unit feat. 3 compressors)

A4G436-A

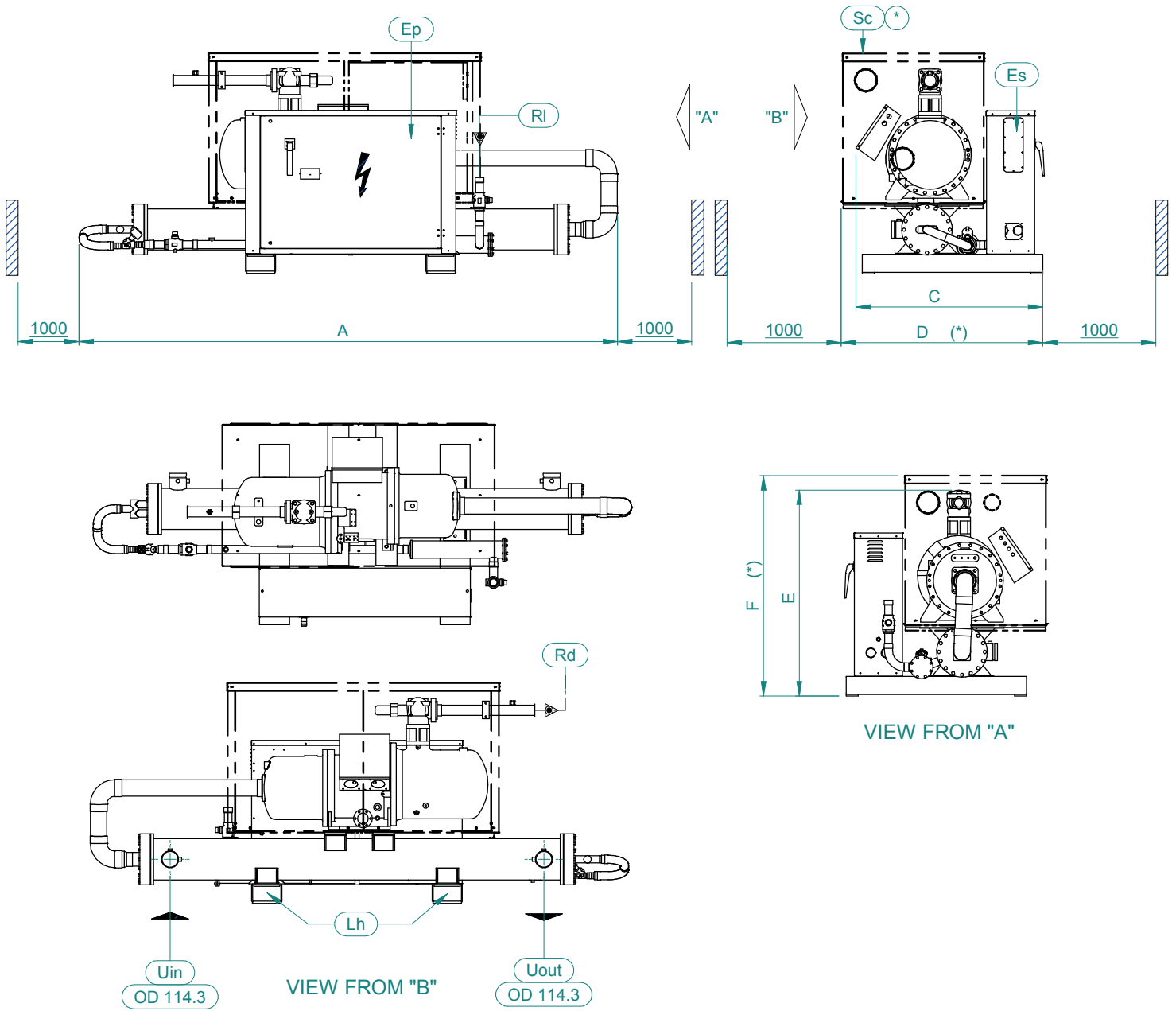


MODEL	WEIGHT(kg)	OPERATING WEIGHT (kg)	G1 (kg)	G2 (kg)	G3 (kg)	G4 (kg)
OMEGA REV HE 130.3 CH-OH-HPW	6163	6840	612	980	1125	703
OMEGA REV HE 137.3 CH-OH-HPW	6312	6984	608	1040	1164	680
OMEGA REV HE 143.3 CH-OH-HPW	6489	7170	664	1034	1149	738
OMEGA REV HE 147.3 CH-OH-HPW	6595	7300	668	1049	1181	752
OMEGA REV HE 153.3 CH-OH-HPW	6668	7388	673	1069	1198	754
OMEGA REV HE 130.3 CH-OH-HPW_LN-SLN	7047	7724	745	1080	1206	831
OMEGA REV HE 137.3 CH-OH-HPW_LN-SLN	7194	7866	740	1140	1245	808
OMEGA REV HE 143.3 CH-OH-HPW_LN-SLN	7373	8054	797	1133	1231	866
OMEGA REV HE 147.3 CH-OH-HPW_LN-SLN	7475	8180	801	1148	1261	880
OMEGA REV HE 153.3 CH-OH-HPW_LN-SLN	7552	8272	806	1169	1279	882

DIMENSIONAL DIAGRAMS

OMEGA REV LC (unit feat. 1 compressor)

A4G532-A



N.B: This drawing is referred to standard version; the overall dimensions and the weight could slightly change in case of DC, DS, liquid receiver and compressor suction valve options.

	Dimensions					
	A	B	C	D	E	F
18.1	2478	/	1200	1340	1245	1374
20.1	2478	/	1200	1340	1245	1374
22.1	2478	/	1200	1340	1245	1374
24.1	2556	/	1200	1340	1315	1374
27.1	2556	/	1200	1340	1315	1374
31.1	2556	/	1200	1340	1315	1374
35.1	3582	/	1240	1340	1368	1464
42.1	3582	/	1240	1340	1368	1464

* OPTIONAL

(*) WITH SOUNDPROOF CASING

CONNECTIONS								
SIZE	18.1	20.1	22.1	24.1	27.1	31.1	35.1	42.1
Rd	42	42	42	42	54	54	54	67
Ri	35	35	35	35	42	42	42	54

DIMENSIONAL DIAGRAMS

OMEGA REV LC (unit feat. 1 compressor)

A4G532-A

MODEL	WEIGHT(kg)	OPERATING WEIGHT (kg)
OMEGA REV 18.1 LC	1107	1190
OMEGA REV 18.1 LC_LN-SLN	1306	1389
OMEGA REV 20.1 LC	1206	1278
OMEGA REV 20.1 LC_LN-SLN	1405	1477
OMEGA REV 22.1 LC	1184	1256
OMEGA REV 22.1 LC_LN-SLN	1384	1456

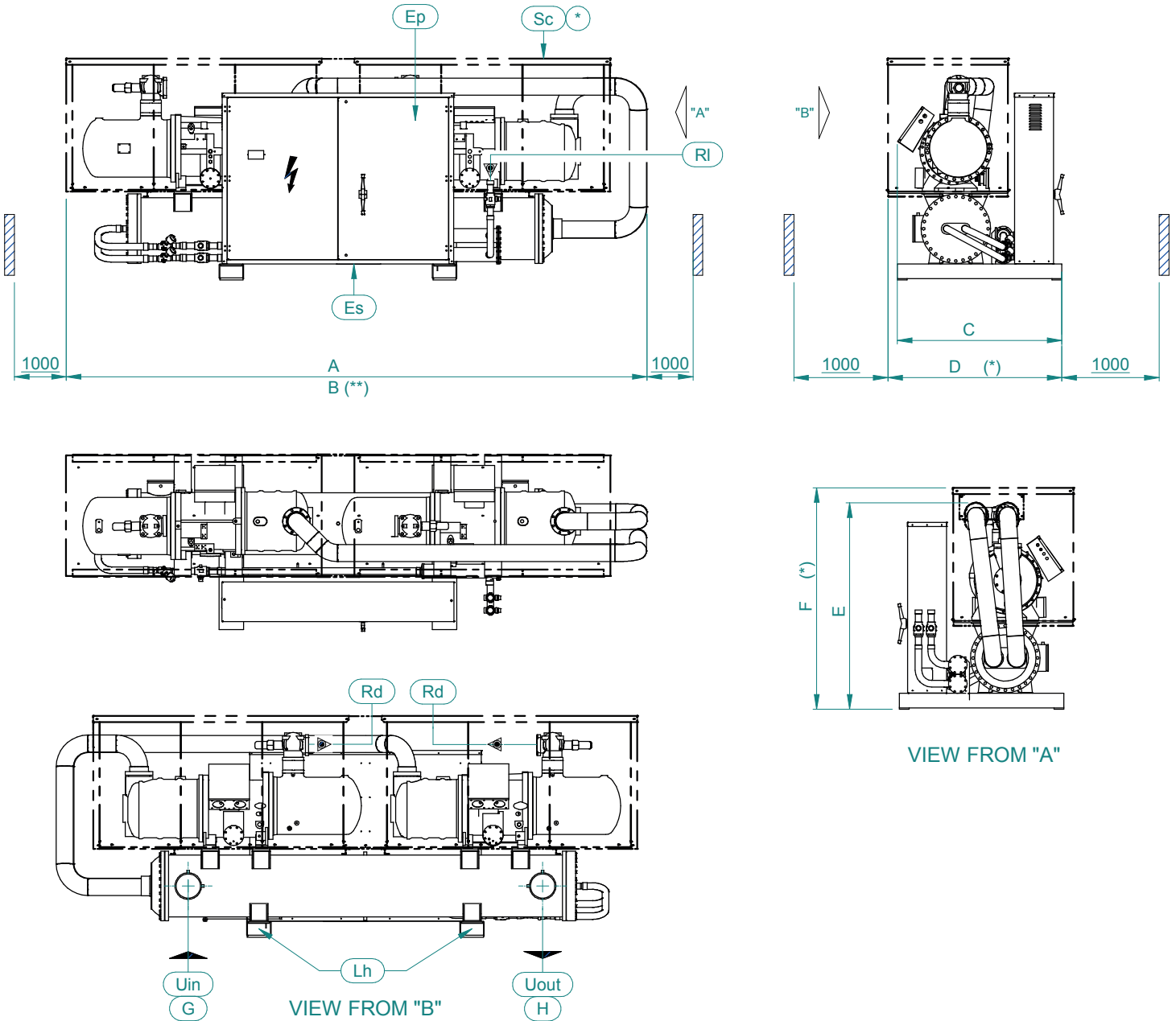
MODEL	WEIGHT(kg)	OPERATING WEIGHT (kg)
OMEGA REV 24.1 LC	1222	1296
OMEGA REV 24.1 LC_LN-SLN	1422	1496
OMEGA REV 27.1 LC	1345	1417
OMEGA REV 27.1 LC_LN-SLN	1546	1618
OMEGA REV 31.1 LC	1415	1487
OMEGA REV 31.1 LC_LN-SLN	1615	1687

MODEL	WEIGHT(kg)	OPERATING WEIGHT (kg)
OMEGA REV 35.1 LC	1358	1471
OMEGA REV 35.1 LC_LN-SLN	1618	1731
OMEGA REV 42.1 LC	1403	1516
OMEGA REV 42.1 LC_LN-SLN	1662	1775

DIMENSIONAL DIAGRAMS

OMEGA REV LC (unit feat. 2 compressors)

A4G533-A



N.B: This drawing is referred to standard version; the overall dimensions and the weight could slightly change in case of DC, DS, liquid receiver and compressor suction valve options.

(*) WITH SOUNDPROOF CASING
(**) WITH SUCTION SHUT-OFF VALVE

*	OPTIONAL
---	----------

Size	Dimensions												Connections					
	A	B	C	D	E	F	G	H										
36.2 - 38.2 - 41.2 - 45.2	3585	3950	1250	1380	1250	1370	OD 114.3	OD 114.3										
46.2 - 49.2 - 53.2	3638	4130	1280	1380	1351	1412	OD 139.7	OD 139.7										
57.2 - 62.2	3638	4130	1280	1380	1351	1412	OD 139.7	OD 139.7										
65.2 - 69.2	4014	4555	1280	1380	1568	1642	OD 168.3	OD 168.3										
72.2 - 76.2 - 78.2 - 83.2	4055	4610	1280	1380	1546	1642	OD 168.3	OD 168.3										
88.2 - 95.2 - 100.2 - 105.2	4721	4721	1350	1430	1621	1742	OD 168.3	OD 168.3										
110.2 - 117.2 - 124.2	4769	4769	1350	1430	1694	1818	OD 219.1	OD 219.1										

CONNECTIONS																						
SIZE	36.2	38.2	41.2	45.2	46.2	49.2	53.2	57.2	62.2	65.2	69.2	72.2	76.2	78.2	83.2	88.2	95.2	100.2	105.2	110.2	117.2	124.2
RD	42	42	42	42	42	42	54	54	54	54	54	54	54	54/67	67	67	67	67	67	76	76	76
RI	35	35	35	35	35	35	42	42	42	42	42	42	42	42/54	54	54	54	54	54	54	54	54

DIMENSIONAL DIAGRAMS

OMEGA REV LC (unit feat. 2 compressors)

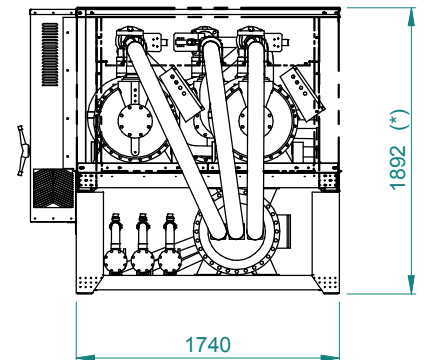
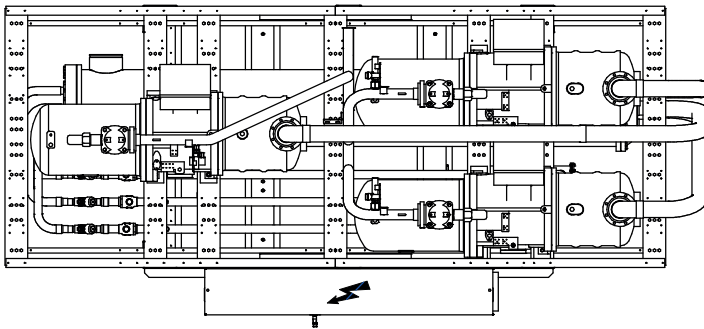
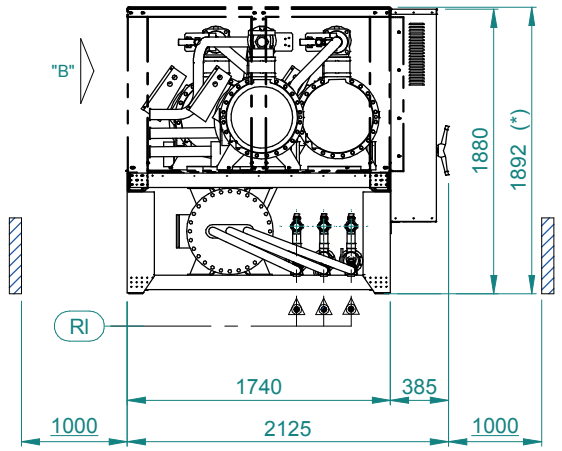
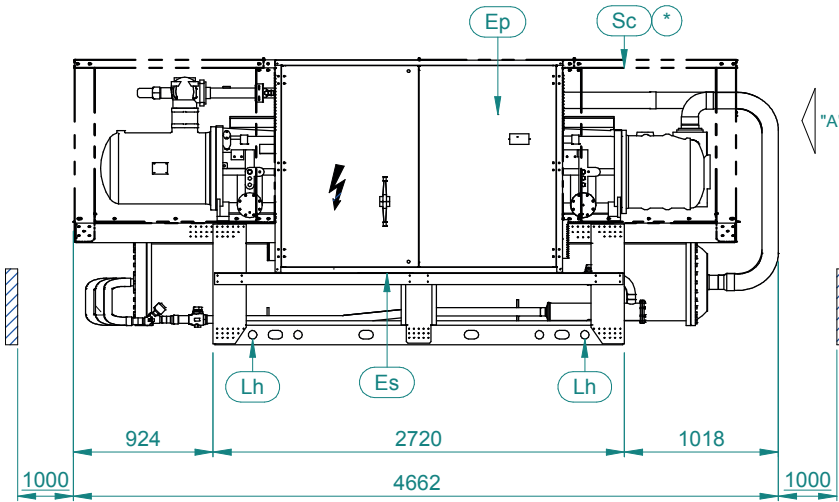
A4G533-A

MODEL	WEIGHT(kg)	OPERATING WEIGHT (kg)
OMEGA REV 36.2 LC	1696	1809
OMEGA REV 36.2 LC_LN-SLN	2045	2158
OMEGA REV 38.2 LC	1787	1895
OMEGA REV 38.2 LC_LN-SLN	2137	2245
OMEGA REV 41.2 LC	1873	1981
OMEGA REV 41.2 LC_LN-SLN	2222	2330
OMEGA REV 45.2 LC	1830	1938
OMEGA REV 45.2 LC_LN-SLN	2180	2288
MODEL	WEIGHT(kg)	OPERATING WEIGHT (kg)
OMEGA REV 46.2 LC	1953	2118
OMEGA REV 46.2 LC_LN-SLN	2301	2466
OMEGA REV 49.2 LC	1983	2148
OMEGA REV 49.2 LC_LN-SLN	2333	2498
OMEGA REV 53.2 LC	2229	2389
OMEGA REV 53.2 LC_LN-SLN	2580	2740
OMEGA REV 57.2 LC	2301	2458
OMEGA REV 57.2 LC_LN-SLN	2653	2810
OMEGA REV 62.2 LC	2372	2529
OMEGA REV 62.2 LC_LN-SLN	2721	2878
MODEL	WEIGHT(kg)	OPERATING WEIGHT (kg)
OMEGA REV 65.2 LC_(SIL)	2510	2781
OMEGA REV 65.2 LC_LN-SLN	2910	3181
OMEGA REV 69.2 LC_(SIL)	2470	2741
OMEGA REV 69.2 LC_LN-SLN	2870	3141
MODEL	WEIGHT(kg)	OPERATING WEIGHT (kg)
OMEGA REV 72.2 LC	2546	2801
OMEGA REV 72.2 LC_LN-SLN	2946	3201
OMEGA REV 76.2 LC	2606	2861
OMEGA REV 76.2 LC_LN-SLN	3006	3261
OMEGA REV 78.2 LC	2592	2847
OMEGA REV 78.2 LC_LN-SLN	2991	3246
OMEGA REV 83.2 LC	2585	2826
OMEGA REV 83.2 LC_LN-SLN	2985	3226
MODEL	WEIGHT(kg)	OPERATING WEIGHT (kg)
OMEGA REV 88.2 LC	3110	3413
OMEGA REV 88.2 LC_LN-SLN	3631	3934
OMEGA REV 95.2 LC	3205	3508
OMEGA REV 95.2 LC_LN-SLN	3726	4029
OMEGA REV 100.2 LC	3307	3601
OMEGA REV 100.2 LC_LN-SLN	3827	4121
OMEGA REV 105.2 LC	3396	3690
OMEGA REV 105.2 LC_LN-SLN	3916	4210
MODEL	WEIGHT(kg)	OPERATING WEIGHT (kg)
OMEGA REV 110.2 LC	3615	4116
OMEGA REV 110.2 LC_LN-SLN	4066	4567
OMEGA REV 117.2 LC	3657	4158
OMEGA REV 117.2 LC_LN-SLN	4056	4557
OMEGA REV 124.2 LC	3686	4187
OMEGA REV 124.2 LC_LN-SLN	4087	4588

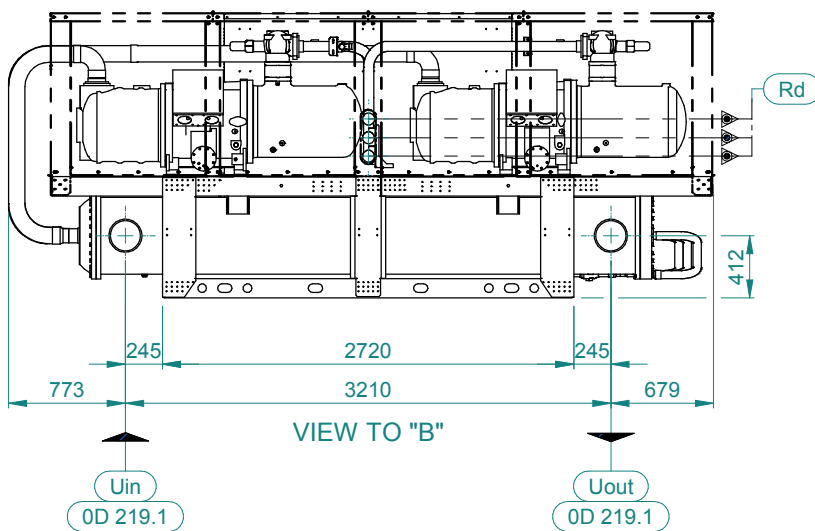
DIMENSIONAL DIAGRAMS

OMEGA REV LC (unit feat. 3 compressors)

A4G395-A



VIEW TO "A"



VIEW TO "B"

CONNECTIONS					
SIZE	130.3	137.3	143.3	147.3	153.3
RD	67	67	67	67	67
RI	54	54	54	54	54

N.B: This drawing is referred to standard version; the overall dimensions and the weight could slightly change in case of DC, DS, liquid receiver and compressor suction valve options.

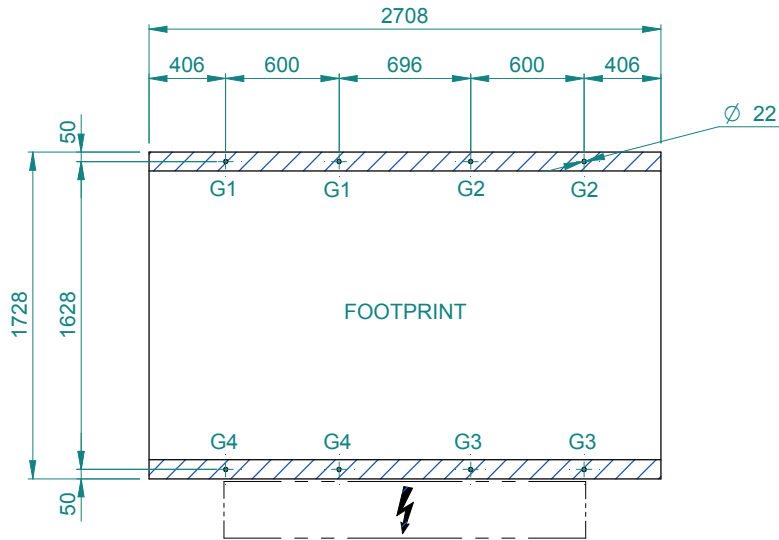
(*) WITH SOUNDPROOF CASING

* OPTIONAL

DIMENSIONAL DIAGRAMS

OMEGA REV LC (unit feat. 3 compressors)

A4G395-A



MODEL	WEIGHT(kg)	OPERATING WEIGHT (kg)	G1 (kg)	G2 (kg)	G3 (kg)	G4 (kg)
OMEGA REV 130.3 LC	5284	5800	473	879	1006	542
OMEGA REV 137.3 LC	5442	5958	469	941	1047	522
OMEGA REV 143.3 LC	5602	6118	520	929	1032	578
OMEGA REV 147.3 LC	5656	6172	517	940	1051	578
OMEGA REV 153.3 LC	5704	6220	517	957	1063	573
OMEGA REV 130.3 LC_LN-SLN	6166	6682	605	979	1086	671
OMEGA REV 137.3 LC_LN-SLN	6324	6840	601	1041	1127	651
OMEGA REV 143.3 LC_LN-SLN	6484	7000	653	1028	1113	706
OMEGA REV 147.3 LC_LN-SLN	6540	7056	649	1040	1132	707
OMEGA REV 153.3 LC_LN-SLN	6586	7102	649	1057	1143	702

